

CW SERIES

ø 22 mm Flush Mount
Switches & Pilot Devices



NEW RANGE

- A complete product range (pushbutton, pilot light, selector and key switch) compliant with IEC 60947-5-1
- Only 39.9 mm behind-panel depth
- IP65, IP66, IP67
- Up to 6 contacts rated 10 Amps each
- Third-generation safety construction

TECHNICAL SPECIFICATIONS

- Contact Resistance : 50 mΩ maximum (initial value)
- Insulation Resistance : 100 MΩ minimum (500V DC megger)
- Overvoltage Category : II (IEC 60664-1)
- Impulse Withstand Voltage : 2.5 kV (IEC60664-1/60947-5-1)
- Pollution Degree : 3 (IEC60947-5-1)
- Mechanical Life (minimum operations)
 - Pushbutton, illuminated pushbutton: 2,000,000
 - Selector switch: 250,000
 - Key selector switch: 250,000
- Electrical Life (minimum operations)
 - 50,000 (see Contact Ratings)
 - 100,000 (see Contact Ratings)
 - (switching frequency 1800 operations/h)
- Terminal Style : Screw terminal (M3.5 slotted Phillips screw)
- Bezel Material : Polyamide
- Applicable Wire Size : Up to 2 wires of 2 mm² (solid wire ø1.6) maximum (AWG14 to 16) (Ring terminal cannot be used)
- Recommended Tightening Torque
 - Terminal: 1.0 to 1.3 N·m
 - Locking ring: 1.2 N·m

ENVIRONMENTAL SPECIFICATIONS

- Operating Temperature :
 - Non-illuminated: -25 to +60 °C (no freezing)
 - LED illuminated: -25 to +55 °C (no freezing)
- Operating Humidity : 45 to 85% RH (no condensation)
- Storage Temperature : -40 to +80 °C
- Degree of Protection (IEC60529)
 - Panel front: IP65, IP66, IP67
 - Terminals: IP20
 - Type 4X
- Short-circuit Protection : 250V/10A fuse, (Type aM IEC60269-1, IEC602069-2)
- Electrical Shock Protection : Class II (IEC61140)
- Vibration Resistance Operating extremes: 5 to 55Hz, amplitude 0.5 mm
- Shock Resistance :
 - Operating extremes: 100 m/s²
 - Damage limits: 1000 m/s²

CONTACT RATINGS

Rated Insulation Voltage (U _i)				300 V		
Rated Thermal Current (I _{th})				10 A		
Rated Operating Voltage (U _e)				24 V	120 V	240 V
Rated Operating Current (I _e)	Electrical Life 50,000 operations	AC 50/60 Hz	Resistive Load (AC-12)	10A	10A	6A
			Inductive Load (AC-15)	10 A	6 A	3 A
		DC	Resistive Load (DC-12)	8 A	2.2 A	1.1 A
			Inductive Load (DC-13)	4 A	1.1 A	0.55 A
	Electrical Life 100,000 operations	AC 50/60 Hz	Resistive Load (AC-12)	5 A	5 A	3 A
			Inductive Load (AC-15)	5 A	3 A	1.5 A
		DC	Resistive Load (DC-12)	4 A	1.1 A	0.55 A
			Inductive Load (DC-13)	2 A	0.55 A	0.27 A
Contact Material				Silver		

1. Minimum applicable load (reference value): 3 VAC/DC, 5 mA (Applicable range is subject to the operating conditions and load.)
2. The operational current represents the classification by making and breaking currents (IEC 60947-5-1).
3. UL, c-UL rating: A300

APPLICABLE STANDARDS



UL508 CSA C22.2 No.14
UL/c-UL File No. E68961



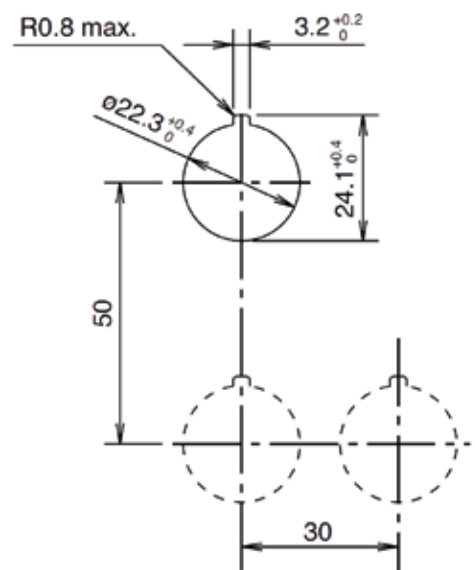
EN60947-5-1
TÜV SÜD



EN60947-5-1
EC Low Voltage Directive

MOUNTING HOLE LAYOUT

IEC 60947-5-1 compliant



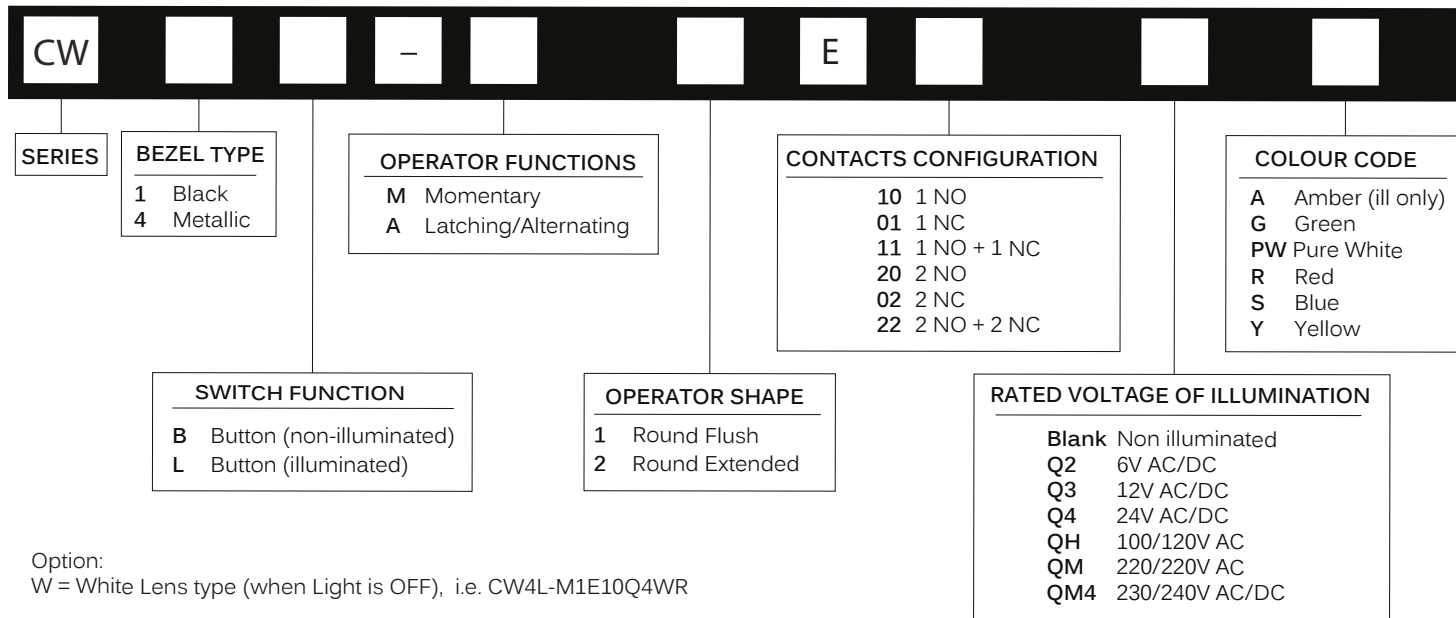
Note: Determine mounting centers to ensure proper spacing.

CW MODULARITY EXAMPLE

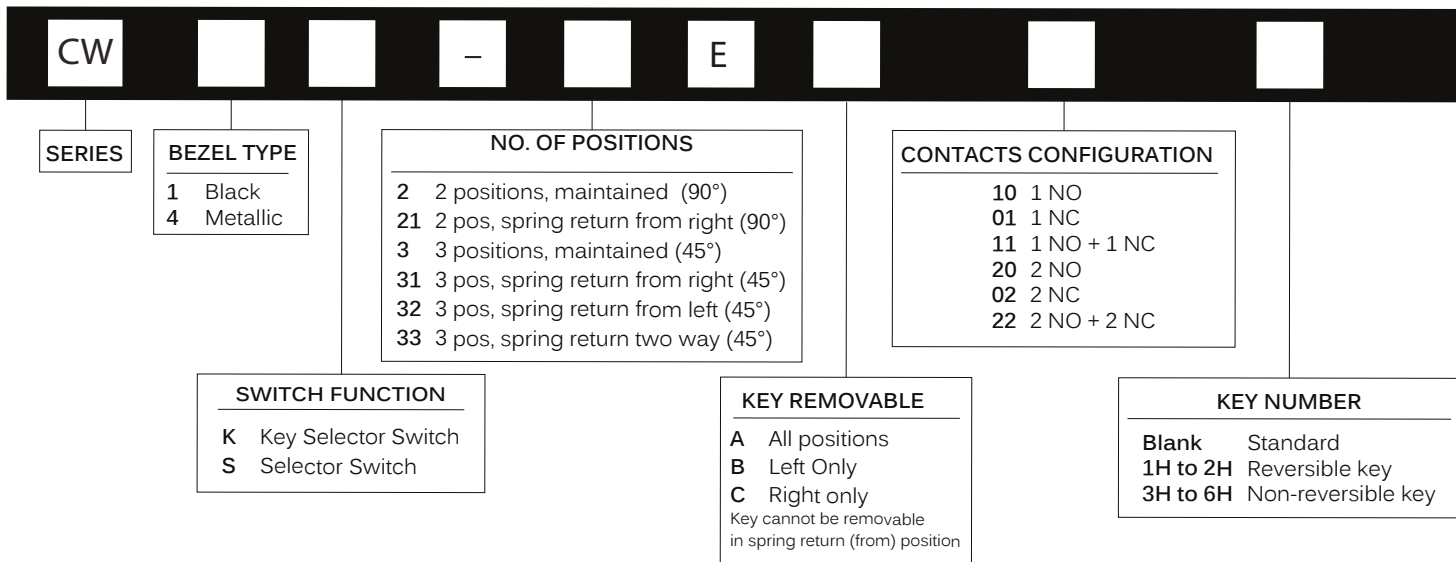
Contacts blocks + LED module + Mounting Adapter + Operator + Lens = Completed Unit



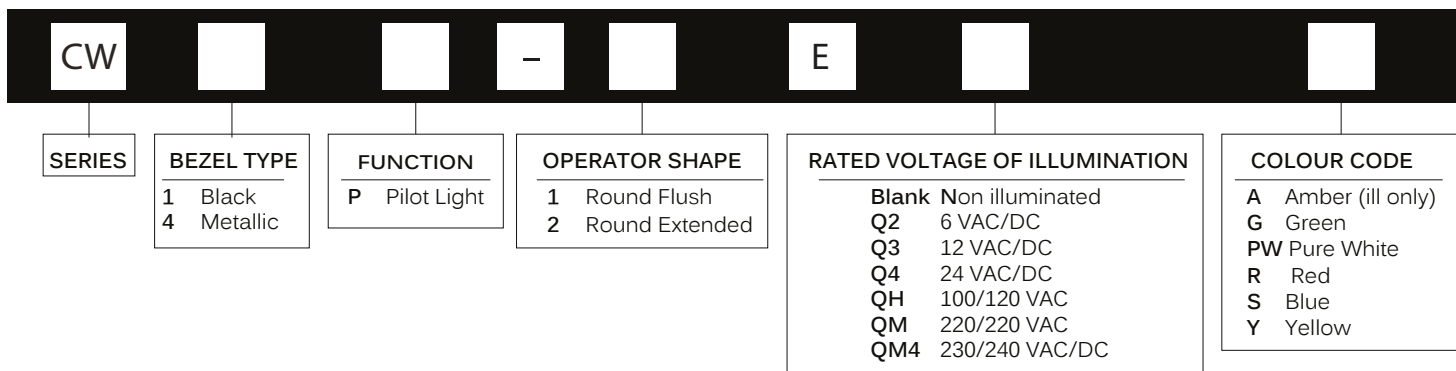
PUSHBUTTONS



SELECTOR SWITCHES



PILOT LIGHTS





TLA Electrical Distributors
Units 63 to 69,
Moorbridge Road,
Bingham,
Nottinghamshire
NG13 8GG
Phone: 01159 893 999
e-mail: sales@tlauk.net

Everything in Control