

STEGO CONNECT EDGE BOX

SCE 074 | IIoT Gateway by Moxa



- > STEGO CONNECT Software
- > Armv7 Cortex-A7 Dual-Core 1 GHz
- > 2 x 1 GB/s Ethernet ports
- > MicroSD socket for storage expansion

The STEGO CONNECT Edge Box SCE 074 is an edge computer and bi-directional gateway for the IO-Link IIoT platform STEGO CONNECT. In combination with IO-Link sensors and actuators, STEGO CONNECT is a cloud-based End-to-End solution connecting digital field devices with the web and vice versa, using the IO-Link protocol. The easy use and installation of IO-Link devices in combination with the STEGO CONNECT software can move analog processes into the digital world without programming skills. Our software-as-a-service offers the following features: Device Management, Device Configuration (Remote Configuration), Visualization of Process Data (Remote Monitoring), and Workflows (no programming skills required). Further information about the IO-Link IIoT platform STEGO CONNECT can be found on www.stego-connect.com.



TECHNICAL DATA

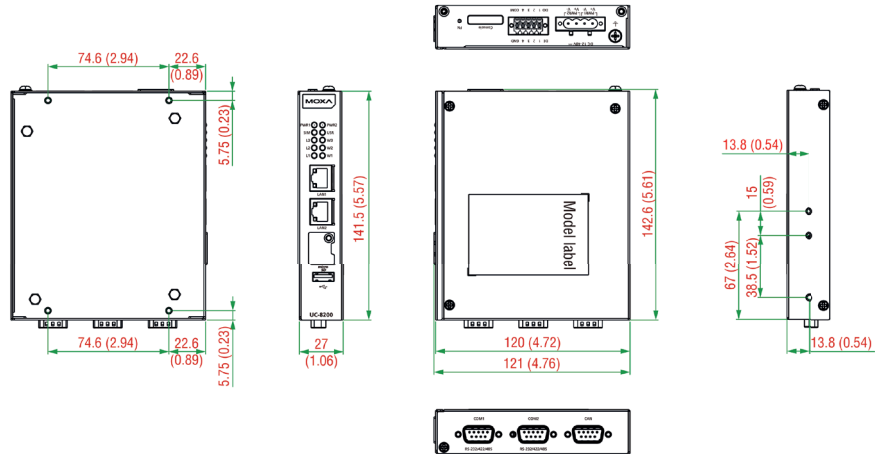
COMPUTER

CPU	Armv7 Cortex-A7 dual-core 1 GHz
DRAM	2 GB DDR3L
Storage Pre-installed	8 GB eMMC
Pre-installed OS	Moxa Industrial Linux (Debian 9, Kernel 4.4)
Pre-installed Software	STEGO CONNECT
Expansion Slots	MicroSD (SD 3.0) socket x 1

PHYSICAL CHARACTERISTICS

Dimensions	141.5 x 120 x 27 mm (5.7 x 4.72 x 1.06 in)
Housing	SECC Metal
Installation	DIN-rail mounting
IP Rating	IP30
Weight	560 g (1.23 lb)

Unit: mm (inch)



Art. No.	No. of Power Inputs	Input Voltage	Power Consumption	Input Current
07400.0-00	Redundant dual inputs	12 to 48 VDC	12 W	1 A @ 12 VDC

ENVIRONMENTAL LIMITS

Ambient Relative Humidity	5 to 95% (non-condensing)
Operating Temperature	-40 to 85°C (-40 to 185°F)
Storage Temperature (package included)	-40 to 85°C (-40 to 185°F)
Shock	IEC 60068-2-27
Vibration	2 Grms @ IEC 60068-2-64, random wave, 5-500 Hz, 1 hr per axis (without USB devices attached)

STANDARDS AND CERTIFICATIONS

Safety	UL 62368-1, EN 62368-1
EMC	EN 55032/35, EN 61000-6-2/-6-4
EMI	CISPR 32, FCC Part 15B Class A
EMS	IEC 61000-4-2 ESD: Contact: 4 kV; Air: 8 kV IEC 61000-4-3 RS: 80 MHz to 1 GHz: 10 V/m IEC 61000-4-4 EFT: Power: 2 kV; Signal: 1 kV IEC 61000-4-6 CS: 10 V IEC 61000-4-8 PFMF IEC 61000-4-5 Surge: Power: 0.5 kV; Signal: 1 kV
Green Product	RoHS, CRoHS, WEEE

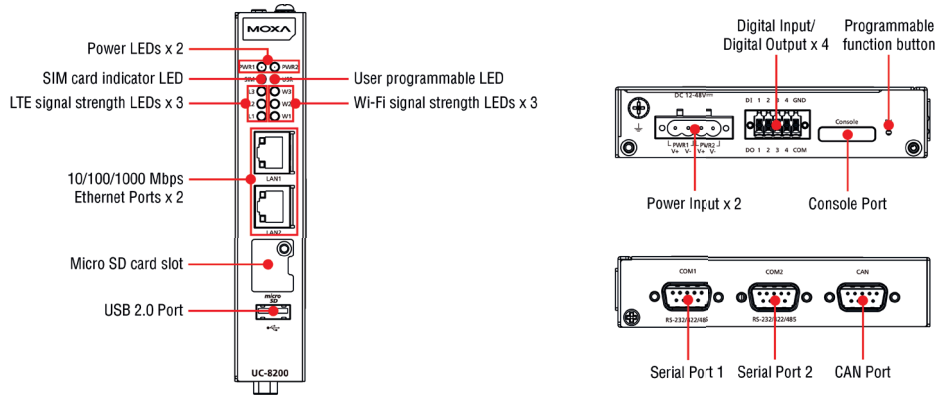
MTBF

Time	716,739 hrs
Standards	Telcordia (Bellcore) Standard TR/SR

PACKAGE CONTENT

Device	1 x STEGO CONNECT Edge Box SCE 074 (Moxa UC-8210-T-LX computer www.moxa.com)
Documentation	1 x quick installation guide
Installation Kit	1 x DIN-rail kit (preinstalled) 1 x power jack
Cable	1 x console cable

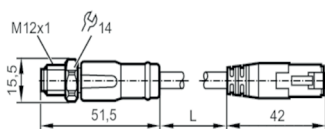
APPEARANCE



ACCESSORIES FOR STEGO CONNECT EDGE BOX SCE 074

CABLE

This cable is needed to connect the STEGO CONNECT Edge Box SCE 074 to the IO-Link Master SCM 074 (Art. No. 07401.0-00).



Art. No.	Use	Cable	Length	Connection
244449	Edge Box SCE 074 - IO-Link Master SCM 074	connection cable, free of silicones and halogens, shielded	2.0 m	fully assembled with male M12 plug on RJ45 plug