

# STEGO CONNECT IO-LINK MASTER

## SCM 074 | IO-Link Master with IoT Interface by ifm



- > For connection of up to 4 IO-Link Devices
- > Robust housing for use in harsh industrial environments
- > Reliable transmission of data to the IT environment
- > Ethernet & IO-Link communication interfaces

The IO-Link Master SCM 074 by ifm establishes the connection between IO-Link devices (digital field devices) and the STEGO CONNECT Edge Box SCE 074 to transmit data into the STEGO CONNECT cloud. It works bi-directional, i.e. sends and receives data. STEGO CONNECT is a cloud-based IIoT platform connecting digital field devices with the web using the IO-Link communication protocol. IO-Link is a point-to-point protocol (PPP), it communicates between two separate endpoints or nodes. With the easy setup and the use of IO-Link devices, such as IO-Link sensors and actuators, in combination with the STEGO CONNECT software, you can move analog processes into the digital world without programming skills. Further information about the IO-Link IIoT platform STEGO CONNECT can be found on [www.stego-connect.com](http://www.stego-connect.com).



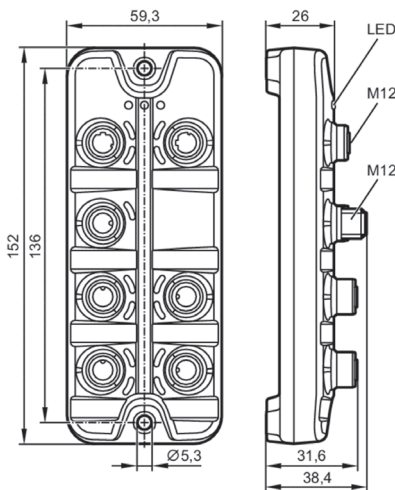
### TECHNICAL DATA

#### MECHANICAL DATA

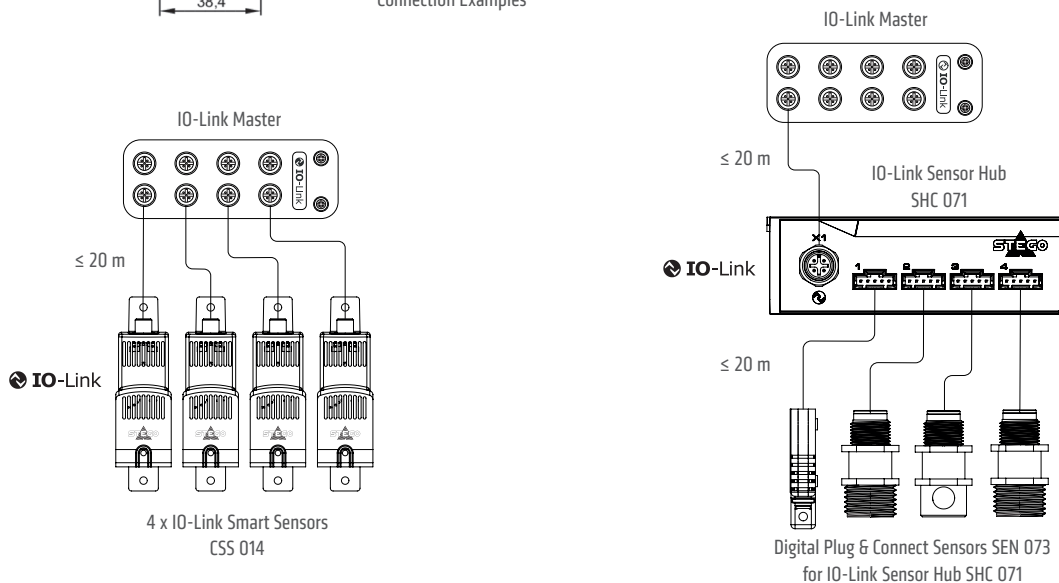
Materials	
Housing	PA
Socket	brass nickel-plated
Weight	295 g

#### OPERATING CONDITIONS

Ambient Temperature	-25 to +60 °C (-13 to +140 °F)
Storage Temperature	-25 to +85 °C (-13 to +185 °F)
Max. relative air humidity	90 %
Protection	IP 65; IP 66; IP 67
Degree of soiling	2



#### Connection Examples



Art. No.	Inputs / Outputs (configurable)	Operating Voltage	Current Consumption	Protection Class
07401.0-00	Number of digital inputs: 8; Number of digital outputs: 4	20...30 VDC; (U <sub>i</sub> to SELV/PELV)	300...3900 mA; (U <sub>s</sub> )	III

### TESTS / APPROVALS

EMC	EN 61000-6-2 EN 61000-6-4
Shock resistance	DIN EN 60068-2-27
Vibration resistance	DIN EN 60068-2-64 DIN EN 60068-2-6

### INPUTS

Number of digital inputs	8; (IO-Link Port Class A: 4 x 2)
Switching level high	11...30 V
Switching level low	0...5 V
Digital inputs protected against short circuits	yes

### OUTPUTS

Number of digital outputs	4; (IO-Link Port Class A: 4 x 1)
Max. current load per output	300 mA
Short-circuit proof	yes

### INTERFACES

Communication interface	Ethernet; IO-Link
-------------------------	-------------------

### ETHERNET - INTERNET OF THINGS

Transmission standard	10Base-T; 100Base-TX
Transmission rate	10; 100 Mbit/s
Protocol	MQTT JSON
Factory settings	IP address: 169.254.x.x subnet mask: 255.255.0.0 gateway IP address: 0.0.0.0 MAC address: see type label
Note on interfaces	Secure protocol; HTTPS

### IO-LINK MASTER

Transmission type	COM1 (4,8 kBaud); COM2 (38,4 kBaud); COM3 (230,4 kBaud)
IO-Link revision	1.1
Number of ports class A	4

### ELECTRICAL CONNECTION - ETHERNET

#### IOT X21, X22

1	TX +
2	RX +
3	TX -
4	RX -
5	not used

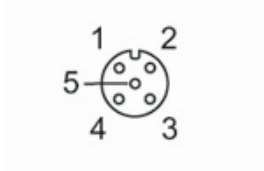


Connector: M12

ELECTRICAL CONNECTION - PROCESS CONNECTION

IO-LINK PORT CLASS A X01...X04

1	Sensor supply (U <sub>s</sub> ) L+
2	digital input
3	Sensor supply (U <sub>s</sub> ) L-
4	C/Q IO-Link
5	not used

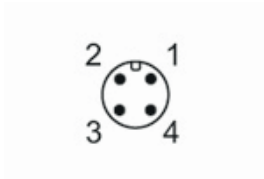


Connector: M12

ELECTRICAL CONNECTION - VOLTAGE SUPPLY

X31

1	+ 24 V DC (U <sub>s</sub> )
2	not used
3	GND (U <sub>s</sub> )
4	not used



Connector: M12

REMARKS

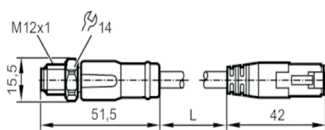
Remarks	For further information please see the manufacturer operating instructions. (ifm AL1350-00 <a href="http://www.ifm.com">www.ifm.com</a> )
Pack quantity	1 pcs.

ACCESSORIES FOR IO-LINK MASTER SCM 074

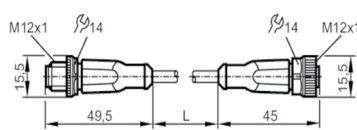
CONNECTION CABLES

These cables are needed to connect the IO-Link Master SCM 074 to the STEGO CONNECT Edge Box SCE 074 (Art. No. 07400.0-00), and to an IO-Link device, for example our IO-Link Smart Sensor CSS 014 for temperature and humidity (Art. No. 01411.2-00).

Art. No.	Use	Cable	Length	Connection
244449	IO-Link Master SCM 074 - Edge Box SCE 074	connection cable free of silicones and halogens, shielded	2.0 m	fully assembled with male M12 plug on RJ45 plug
244451	IO-Link Master SCM 074 - IO-Link Device	connection cable, free of silicones and halogens	2.0 m	fully assembled with male M12 plug on female M12 plug



Connection cable Art. No. 244449  
IO-Link Master SCM 074 to Edge Box SCE 074



Connection cable Art. No. 244451  
IO-Link Master SCM 074 to IO-Link Device