

BUSSMANN SERIES

Low voltage fuse links and fuse holders catalogue



EATON

Powering Business Worldwide



We make what matters work.*



At Eaton, we believe that power is a fundamental part of just about everything people do. That's why we're dedicated to helping our customers find new ways to manage electrical, hydraulic and mechanical power more efficiently, safely and sustainably. To improve people's lives, the communities where we live and work, and the planet our future generations depend upon. Because this is what really matters. And we're here to make sure it works.

To learn more go to: [Eaton.com/whatmatters](https://www.eaton.com/whatmatters)

EATON

Powering Business Worldwide

We make what matters work.

Eaton is the leading source of fusible circuit protection solutions in the global marketplace. Eaton's Bussmann series products are approved for use around the world and meet agency requirements and international standards: IEC, VDE, DIN, UL, CSA, BS and others.

Eaton's Bussmann business European headquarters are in Burton-on-the-Wolds, Leicestershire (UK).

Eaton manufactures over 50,000 Bussmann series part numbers covering extensive fusible circuit protection solutions for a wide range of applications: residential, industrial, motor protection, power conversion and distribution.

Eaton has been a leading exponent in the design, development and manufacture of low voltage fuse links and their associated accessories for more than 100 years and has supplied fuse links to more than 90 countries worldwide.

Eaton's team of specialist Engineers and Field Applications Engineers plays a leading role in international standardisation of low voltage fuse links offering comprehensive advice on selection and applications.

With a continual commitment to meet our customers' needs with innovative high quality products with ISO 902 'approval systems', Eaton is the supplier of choice for circuit protection solutions.

Table of contents

1.1	Industrial and motor applications to BS88 -Standard	6
	Offset bolted tags fuse links - Specifications	6
	Centre bolted tags fuse links - Specifications	10
	Offset bladed tags fuse links - Specifications	18
	Offset bolted tags, centre bolted tags and offset bladed tags - Time-current and cut-off curves	21
	Special DC range offset/centre bolted tags fuse links - Specifications	37
	Special DC range offset/centre bolted tags fuse links - Time-current and cut-off curve	39
	Offset bolted tags fuse links - Specifications	41
	Offset bolted tags fuse links - Time-current curve	42
	Special tags fuse links	43
1.2	Industrial and motor applications to BS88 - Red spot	47
	Offset bolted tags fuse links - Specifications	47
	Centre bolted tags fuse links - Specifications	53
	Offset bolted tags, centre bolted tags - Time-current and cut-off curves	63
1.3	BS88 Fuse holders	81
	Camaster fuse holders - Specifications and dimensions	81
	Safeloc fuse holders - Specifications and dimensions	84
	Safeclip fuse holders - Specifications and dimensions	87
	Red spot fuse holders - Specifications and dimensions	95
1.4	Street lighting applications to BS88	106
	Cylindrical fuse links - Specifications	106
	Offset bolted tags fuse links - Specifications	107
	Time-current and cut-off curves	108
1.5	Domestic applications to BS 1361	110
	Consumer unit fuse links - Specifications	110
	Time-current curve	111
1.6	Utility applications to BS88 (BS 1361) - House service cut-out fuse links	112
	KR85 and LR85 fuse links - Specifications	112
	KR85 and LR85 fuse links - Time-current and cut-off curves	113
1.7	Utility applications to BS88 - J Type fuse links part 5	117
	Cylindrical slotted and non slotted types fuse links - Specifications	117
	Cylindrical slotted and non slotted types fuse links - Time-current and cut-off curves	123
	Arc limiter non slotted types limiters fuse links - Specifications	133
	Arc limiter non slotted types limiters fuse links - Time-current curves	134

1.8	Cylindrical industrial fuse links	136
	Class gG Cylindrical industrial fuse links - Specifications	136
	Class aM Cylindrical industrial fuse links - Specifications	140
	Class gG and aM Time-current curves	143
1.9	Modular cylindrical fuse holders	145
	10 x 38 mm Modular cylindrical fuse holders - Specifications	145
	14 x 51 mm Modular cylindrical fuse holders - Specifications	146
	22 x 58 mm Modular cylindrical fuse holders - Specifications	148
1.10	NH Fuse links	150
	400 V a.c. gFF fuse links - Specifications and time-current curves	150
	400 V a.c. gG/gL fuse links - Specifications and time-current curves	154
	500 V a.c. gG/gL fuse links - Specifications and time-current curves	159
	500 V a.c. Weather resistant gG/gL fuse links - Specifications and time-current curves	167
	690 V a.c. gG/gL fuse links - Specifications and time-current curves	169
	500 and 690 V a.c. aM fuse links - Specifications and time-current curves	173
	NH Fuse links - Dimensions	177
1.11	NH Fuse bases and accessories	182
	SD and TD fuse bases and accessories - Specifications	182
	SD and TD fuse bases - Dimensions	185
1.12	NH Fuse gear	188
	EBF Vertical NH Fuse rails - Specifications and dimensions	188
	EBV Vertical NH Fuse switch-disconnectors - Specifications and dimensions	191
	EBH00 Horizontal fuse switch disconnectors - Specifications and dimensions	196
	EBH00 to 4 Horizontal fuse switch disconnectors - Specifications and dimensions	199
1.13	D and D0 fuse links and accessories	207
	Type D fuse links, bases and accessories - Specifications, dimensions and Time-current curve	207
	Type D0 fuse links, bases and accessories - Specifications, dimensions and Time-current curve	214
1.14	Cross reference	220
1.15	Application information	222
1.16	Index	225

1.1

Industrial and motor applications to BS88 - Standard

Offset bolted tags fuse links

Offset bolted tags fuse links

Specifications

Description

Fuse links for general industrial applications with Q1 fusing factor, general purpose (gG) and motor protection (gM) characteristics for general industrial and motor applications.

Technical data

Rated voltage:

- gG: up to 550 V a.c. see tables for details
- gM: up to 500 V a.c. see tables for details

Rated current: 2 to 200 A, see tables for details

Breaking capacity: 80 kA up to 550 V a.c. see tables for details

Standard/agency information

Meets BS88 Part 1 and 2, IEC 60269 parts 1 and 2

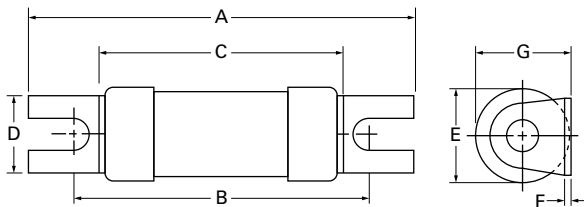
Product selection

NITD, class gG, 550 V a.c., 2 to 32 A - class gM, 415 V a.c., 20 to 32 A



Catalogue numbers	Rated voltage	Rated current (Amps)	Breaking capacity	Operating class	BS Reference	Fixing centre (mm)	Pack quantity	Compatible fuse holders
NITD2	550 V a.c.	2	80 kA at 550 V a.c.	gG	A1	44	20	CM32FC Camaster range
NITD4	550 V a.c.	4	80 kA at 550 V a.c.	gG	A1	44	20	
NITD6	550 V a.c.	6	80 kA at 550 V a.c.	gG	A1	44	20	RS20H Red Spot range
NITD10	550 V a.c.	10	80 kA at 550 V a.c.	gG	A1	44	20	
NITD16	550 V a.c.	16	80 kA at 550 V a.c.	gG	A1	44	20	CM32FC Camaster range
NITD20	550 V a.c.	20	80 kA at 550 V a.c.	gG	A1	44	20	
NITD25	550 V a.c.	25	80 kA at 550 V a.c.	gG	A1	44	20	CM32FC Camaster range
NITD32	550 V a.c.	32	80 kA at 550 V a.c.	gG	A1	44	20	
NITD20M25	415 V a.c.	20M25	80 kA at 415 V a.c.	gM	A1	44	20	CM32FC Camaster range
NITD20M32	415 V a.c.	20M32	80 kA at 415 V a.c.	gM	A1	44	20	
NITD32M40	415 V a.c.	32M40	80 kA at 415 V a.c.	gM	A1	44	20	CM32FC Camaster range
NITD32M50	415 V a.c.	32M50	80 kA at 415 V a.c.	gM	A1	44	20	
NITD32M63	415 V a.c.	32M63	80 kA at 415 V a.c.	gM	A1	44	20	CM32FC Camaster range

Dimensions - mm



Catalogue numbers	A	B	C	D	E	F	G
NITD2-32 and NITD20M25-32	55	44	34.6	11.2	13.8	0.8	14
NITD32M40-63	55	44	35.6	11.2	17.5	1.2	18.5

Data sheet: 4106

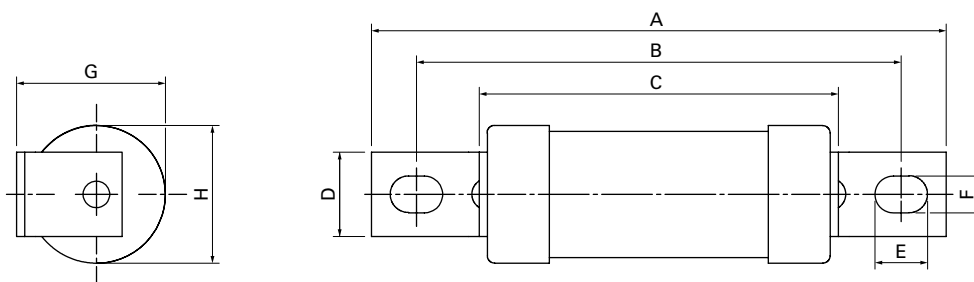
Offset bolted tags fuse links

AAO, class gG, 550 V a.c., 2 to 32 A - class gM, 500 V a.c., 32 A



Catalogue numbers	Rated voltage	Rated current (Amps)	Breaking capacity	Operating class	BS Reference	Fixing centre (mm)	Pack quantity	Compatible fuse holders
AAO2	550 V a.c.	2	80 kA at 550 V a.c.	gG	A2	73	20	CM32F Camaster range
AAO4	550 V a.c.	4	80 kA at 550 V a.c.	gG	A2	73	20	
AAO6	550 V a.c.	6	80 kA at 550 V a.c.	gG	A2	73	20	RS32 Red Spot range
AAO10	550 V a.c.	10	80 kA at 550 V a.c.	gG	A2	73	20	
AAO16	550 V a.c.	16	80 kA at 550 V a.c.	gG	A2	73	20	
AAO20	550 V a.c.	20	80 kA at 550 V a.c.	gG	A2	73	20	
AAO25	550 V a.c.	25	80 kA at 550 V a.c.	gG	A2	73	20	
AAO32	550 V a.c.	32	80 kA at 550 V a.c.	gG	A2	73	20	
AAO32M40	500 V a.c.	32M40	80 kA at 500 V a.c.	gM	A2	73	20	
AAO32M50	500 V a.c.	32M50	80 kA at 500 V a.c.	gM	A2	73	20	
AAO32M63	500 V a.c.	32M63	80 kA at 500 V a.c.	gM	A2	73	20	

Dimensions - mm



Catalogue numbers	A	B	C	D	E	F	G	H
AAO2-32	85	73	35.5	8.7	8	5.5	14	13.7
AAO32M40-63	85	73.5	54.5	8.7	8	5.5	22.3	21

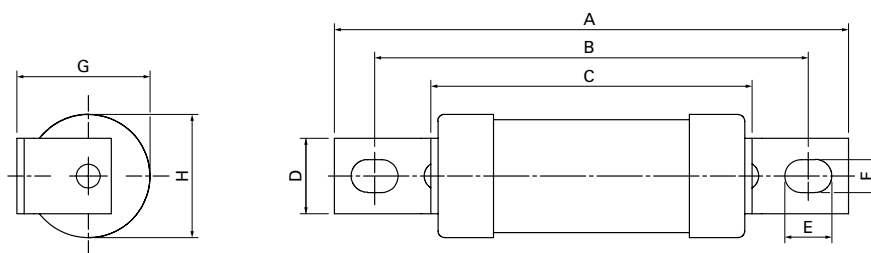
Data sheet: 4109

BAO, class gG, 500 V a.c., 40 to 63 A - class gM, 500 V a.c., 63 A



Catalogue numbers	Rated voltage	Rated current (Amps)	Breaking capacity	Operating class	BS Reference	Fixing centre (mm)	Pack quantity	Compatible fuse holders
BAO40	500 V a.c.	40	80 kA at 500 V a.c.	gG	A3	73	20	CM63F Camaster range
BAO50	500 V a.c.	50	80 kA at 500 V a.c.	gG	A3	73	20	
BAO63	500 V a.c.	63	80 kA at 500 V a.c.	gG	A3	73	20	RS63 Red Spot range
BAO63M80	500 V a.c.	63M80	80 kA at 500 V a.c.	gM	A3	73	20	
BAO63M100	500 V a.c.	63M100	80 kA at 500 V a.c.	gM	A3	73	20	

Dimensions - mm



Catalogue numbers	A	B	C	D	E	F	G	H
BAO40-63 and BAO63M80-100	87	73.5	54.5	12.7	8	5.5	22.3	21

Data sheet: 4112

1.1

Industrial and motor applications to BS88 - Standard

Offset bolted tags fuse links

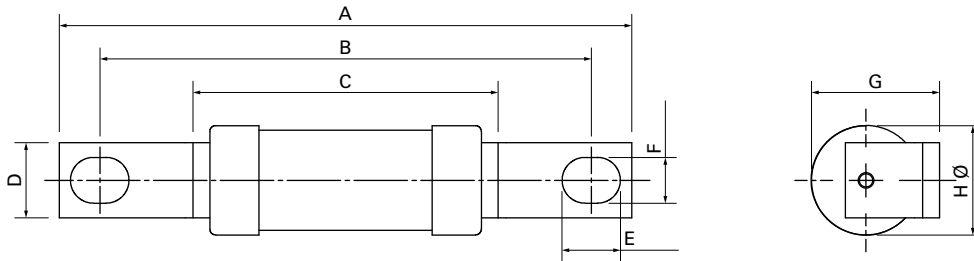
Offset bolted tags fuse links

CEO, class gG, 500 V a.c., 32 to 100 A - class gM, 415 V a.c., 100 A



Catalogue numbers	Rated voltage	Rated current (Amps)	Breaking capacity	Operating class	BS Reference	Fixing centre (mm)	Pack quantity	Compatible fuse holder
CEO32	500 V a.c.	32	80 kA at 500 V a.c.	gG	A4	94	10	RS100 Red Spot range
CEO40	500 V a.c.	40	80 kA at 500 V a.c.	gG	A4	94	10	
CEO50	500 V a.c.	50	80 kA at 500 V a.c.	gG	A4	94	10	
CEO63	500 V a.c.	63	80 kA at 500 V a.c.	gG	A4	94	10	
CEO80	500 V a.c.	80	80 kA at 500 V a.c.	gG	A4	94	10	
CEO100	500 V a.c.	100	80 kA at 500 V a.c.	gG	A4	94	10	
CEO100M125	415 V a.c.	100M125	80 kA at 415 V a.c.	gM	A4	94	10	
CEO100M160	415 V a.c.	100M160	80 kA at 415 V a.c.	gM	A4	94	10	
CEO100M200	415 V a.c.	100M200	80 kA at 415 V a.c.	gM	A4	94	10	

Dimensions - mm



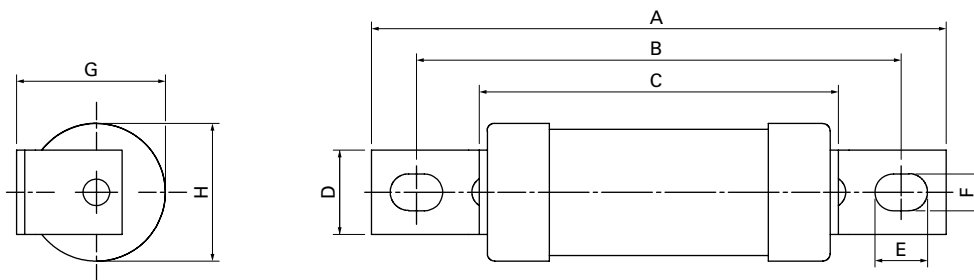
Catalogue numbers	A	B	C	D	E	F	G	H
CEO32-100	109.5	94	58.5	14.3	11	8.7	24.5	21
CEO100M125-160	109	94	58	14.3	11	8.7	26.8	25.8
CEO100M200	110	94	47	19	10	9	29.5	31

OSD, class gG, 500 V a.c., 80 and 100 A - class gM, 415 V a.c., 100 A



Catalogue numbers	Rated voltage	Rated current (Amps)	Breaking capacity	Operating class	Fixing centre (mm)	Pack quantity	Compatible fuse holder
OSD80	500 V a.c.	80	80 kA at 500 V a.c.	gG	73	20	CM100F Camaster range
OSD100	500 V a.c.	100	80 kA at 500 V a.c.	gG	73	20	
OSD100M125	415 V a.c.	100M125	80 kA at 415 V a.c.	gM	73	20	
OSD100M160	415 V a.c.	100M160	80 kA at 415 V a.c.	gM	73	20	

Dimensions - mm



Catalogue numbers	A	B	C	D	E	F	G	H
OSD80-100	95	73	54.5	12.7	7.8	5.5	22.3	21
OSD100M125-160	94.5	73	54	12.7	7.8	5.5	24.7	25.7

Data sheet: 4107

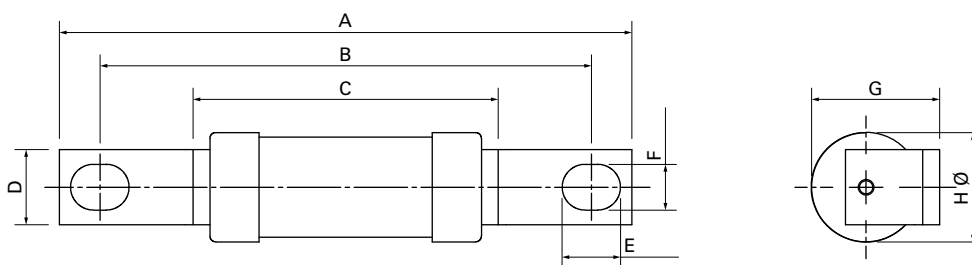
Offset bolted tags fuse links

DEO, class gG, 415 V a.c., 125 to 200 A - class gM, 415 V a.c., 200 A



Catalogue numbers	Rated voltage	Rated current (Amps)	Breaking capacity	Operating class	Fixing centre (mm)	Pack quantity
DEO125	415 V a.c.	125	80 kA at 415 V a.c.	gG	94	5
DEO160	415 V a.c.	160	80 kA at 415 V a.c.	gG	94	5
DEO200	415 V a.c.	200	80 kA at 415 V a.c.	gG	94	5
DEO200M315	415 V a.c.	200M315	80 kA at 415 V a.c.	gM	94	5

Dimensions - mm



Catalogue numbers	A	B	C	D	E	F	G	H
DEO125-200 and DEO200M315	110	94	47	19	10	9	29.5	31

Data sheet: 4117

1.1

Industrial and motor applications to BS88 - Standard

Centre bolted tags fuse links

Centre bolted tags fuse links

Specifications

Description

Fuse links for general industrial applications with Q1 fusing factor, general purpose (gG) and motor protection (gM) characteristics for general industrial and motor applications.

Technical data

Rated voltage:

- gG: up to 690 V a.c. / 400 V d.c. see tables for details
- gM: up to 550 V a.c./250 V d.c. see tables for details

Consult Eaton's Bussmann business for max time constant data buletechnical@eaton.com

Rated current: 2 to 1250 A, see tables for details

Breaking capacity: up to 80 kA see tables for details

Standard/agency information

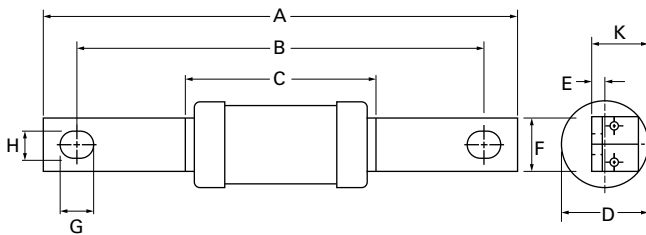
Meets BS88 Part 1 and 2, IEC 60269 parts 1 and 2, in accordance with RoHS 2011/65/IEC.

Product selection

AC, class gG, 500 / 550 V a.c and 250 V d.c., 2 to 32 A

Catalogue numbers	Rated voltage	Rated current (Amps)	Breaking capacity	Operating class	Fixing centre (mm)	Pack quantity
AC2	550 V a.c. / 250 V d.c.	2	80 kA at 550 V a.c.	gG	97	20
AC4	550 V a.c. / 250 V d.c.	4	80 kA at 550 V a.c.	gG	97	20
AC6	550 V a.c. / 250 V d.c.	6	80 kA at 550 V a.c.	gG	97	20
AC10	550 V a.c. / 250 V d.c.	10	80 kA at 550 V a.c.	gG	97	20
AC16	550 V a.c. / 250 V d.c.	16	80 kA at 550 V a.c.	gG	97	20
AC20	550 V a.c. / 250 V d.c.	20	80 kA at 550 V a.c.	gG	97	20
AC25	500 V a.c. / 250 V d.c.	25	80 kA at 500 V a.c.	gG	97	20
AC32	500 V a.c. / 250 V d.c.	32	80 kA at 500 V a.c.	gG	97	20

Dimensions - mm



Catalogue numbers	A	B	C	D	E	F	G	H	K
AC2-32	113.5	97	55.5	21	1.6	12.7	13.5	7	11.2

Data sheet: 4110

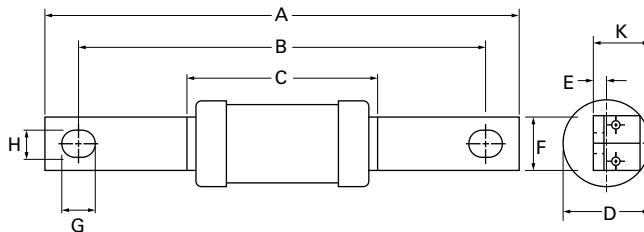
Centre bolted tags fuse links

BC, class gG, 500 V a.c and 250 V d.c., 40 to 63 A - class gM 500 V a.c. and 250 V d.c. 63 A



Catalogue numbers	Rated voltage	Rated current (Amps)	Breaking capacity	Operating class	Fixing centre (mm)	Pack quantity
BC40	500 V a.c. / 250 V d.c.	40	80 kA at 500 V a.c.	gG	97	20
BC50	500 V a.c. / 250 V d.c.	50	80 kA at 500 V a.c.	gG	97	20
BC63	500 V a.c. / 250 V d.c.	63	80 kA at 500 V a.c.	gG	97	20
BC63M80	500 V a.c. / 250 V d.c.	63M80	80 kA at 500 V a.c.	gM	97	20
BC63M100	500 V a.c. / 250 V d.c.	63M100	80 kA at 500 V a.c.	gM	97	20

Dimensions - mm



Catalogue numbers	A	B	C	D	E	F	G	H	K
BC40-63 and BC63M80-100	113.5	97	55	21	1.6	7	13.5	12.7	11.2

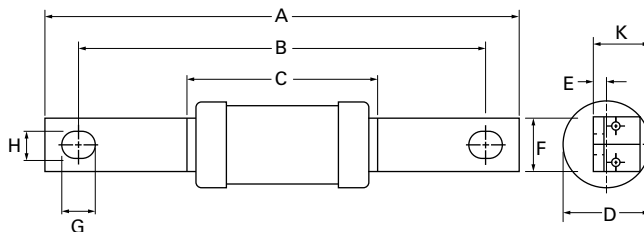
Data sheet: 4113

AD, class gG, 500 / 550 V a.c and 250 V d.c., 2 to 32 A



Catalogue numbers	Rated voltage	Rated current (Amps)	Breaking capacity	Operating class	Fixing centre (mm)	Pack quantity	Compatible fuse holder
AD2	550 V a.c. / 250 V d.c.	2	80 kA at 550 V a.c.	gG	111	20	RS200 Red Spot range
AD4	550 V a.c. / 250 V d.c.	4	80 kA at 550 V a.c.	gG	111	20	
AD6	550 V a.c. / 250 V d.c.	6	80 kA at 550 V a.c.	gG	111	20	
AD10	550 V a.c. / 250 V d.c.	10	80 kA at 550 V a.c.	gG	111	20	
AD16	550 V a.c. / 250 V d.c.	16	80 kA at 550 V a.c.	gG	111	20	
AD20	550 V a.c. / 250 V d.c.	20	80 kA at 550 V a.c.	gG	111	20	
AD25	500 V a.c. / 250 V d.c.	25	80 kA at 500 V a.c.	gG	111	20	
AD32	500 V a.c. / 250 V d.c.	32	80 kA at 500 V a.c.	gG	111	20	

Dimensions - mm



Catalogue numbers	A	B	C	D	E	F	G	H	K
AD2-32	128.5	111	55	21	1.4	14.2	11.8	8.7	11.2

Data sheet: 4111

1.1

Industrial and motor applications to BS88 - Standard

Centre bolted tags fuse links

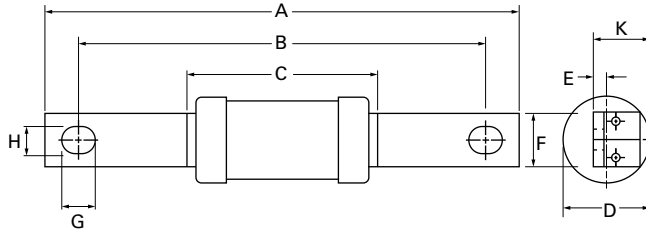
Centre bolted tags fuse links

BD, class gG, 500 V a.c and 250 V d.c., 40 to 63 A



Catalogue numbers	Rated voltage	Rated current (Amps)	Breaking capacity	Operating class	Fixing centre (mm)	Pack quantity	Compatible fuse holder
BD40	500 V a.c. / 250 V d.c.	40	80 kA at 500 V a.c.	gG	111	20	RS200 Red Spot range
BD50	500 V a.c. / 250 V d.c.	50	80 kA at 500 V a.c.	gG	111	20	
BD63	500 V a.c. / 250 V d.c.	63	80 kA at 500 V a.c.	gG	111	20	

Dimensions - mm



Catalogue numbers	A	B	C	D	E	F	G	H	K
BD40-63	128.5	111	55	21	1.4	14.2	11.8	8.7	11.2

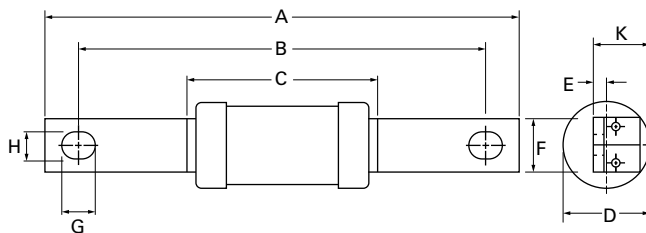
Data sheet: 4114

CD, class gG, 500 V a.c, 80 and 100 A, class gM, 415 V a.c., 100 A



Catalogue numbers	Rated voltage	Rated current (Amps)	Breaking capacity	Operating class	BS reference	Fixing centre (mm)	Pack quantity	Compatible fuse holder
CD80	500 V a.c.	80	80 kA at 500 V a.c.	gG	B1	111	10	RS200 Red Spot range
CD100	500 V a.c.	100	80 kA at 500 V a.c.	gG	B1	111	10	
CD100M125	415 V a.c.	100M125	80 kA at 415 V a.c.	gM	B1	111	10	
CD100M160	415 V a.c.	100M160	80 kA at 415 V a.c.	gM	B1	111	10	
CD100M200	415 V a.c.	100M200	80 kA at 415 V a.c.	gM	B1	111	5	

Dimensions - mm



Catalogue numbers	A	B	C	D	E	F	G	H	K
CD80-100	126	111	58.5	21	3.2	14.3	11.1	8.7	19.5
CD100M125-160	126	111	58.5	26	3.2	14.3	11.1	8.7	22
CD100M200	136	111	47	31	3.2	19	12.5	8.7	22.5

Data sheet: 4116

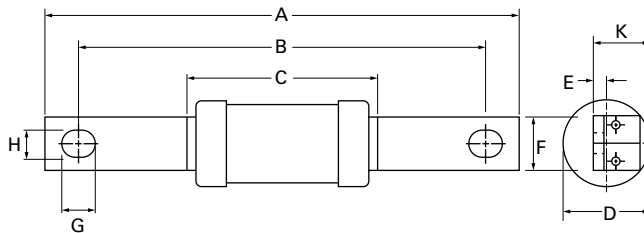
Centre bolted tags fuse links

DD, class gG, 415 V a.c., 125 to 200 A, class gM, 415 V a.c., 200 A



Catalogue numbers	Rated voltage	Rated current (Amps)	Breaking capacity	Operating class	BS reference	Fixing centre (mm)	Pack quantity	Compatible fuse holder
DD125	415 V a.c.	125	80 kA at 415 V a.c.	gG	B2	111	5	RS200 Red Spot range
DD160	415 V a.c.	160	80 kA at 415 V a.c.	gG	B2	111	5	
DD200	415 V a.c.	200	80 kA at 415 V a.c.	gG	B2	111	5	
DD200M250	415 V a.c.	200M250	80 kA at 415 V a.c.	gM	B2	111	5	
DD200M315	415 V a.c.	200M315	80 kA at 415 V a.c.	gM	B2	111	5	

Dimensions - mm



Catalogue numbers	A	B	C	D	E	F	G	H	K
DD125-200 and DD200M250-315	136	111	47	31	3.2	19	12.5	9	22.5

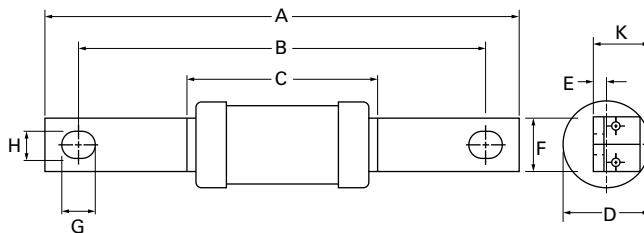
Data sheet: 4118

ED, class gG, 415 V a.c., 250 to 400 A, class gM, 415 V a.c., 315 and 400 A



Catalogue numbers	Rated voltage	Rated current (Amps)	Breaking capacity	Operating class	BS reference	Fixing centre (mm)	Pack quantity
ED250	415 V a.c.	250	80 kA at 415 V a.c.	gG	B3/B4	111	1
ED315	415 V a.c.	315	80 kA at 415 V a.c.	gG	B3/B4	111	1
ED355	415 V a.c.	355	80 kA at 415 V a.c.	gG	B3/B4	111	1
ED400	415 V a.c.	400	80 kA at 415 V a.c.	gG	B3/B4	111	1
ED315M400	415 V a.c.	315M400	80 kA at 415 V a.c.	gM	B3/B4	111	1
ED400M500	415 V a.c.	400M500	80 kA at 415 V a.c.	gM	B3/B4	111	1

Dimensions - mm



Catalogue numbers	A	B	C	D	E	F	G	H	K
ED250	136	111	47	31	4.7	19	12.5	9	22.5
ED315-400 to ED315M400	136	111	50	38	4.7	25.4	12.5	9	31
ED400M500	136	114	75	59	4.7	25.4	12.5	9	31

Data sheet: 4119

1.1

Industrial and motor applications to BS88 - Standard

Centre bolted tags fuse links

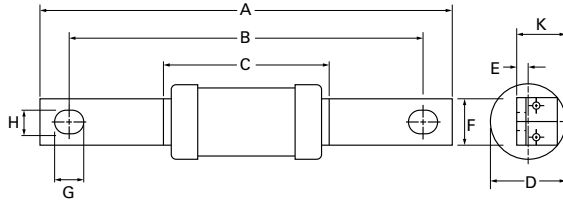
Centre bolted tags fuse links

EFS, class gG, 415 V a.c, 125 to 315 A

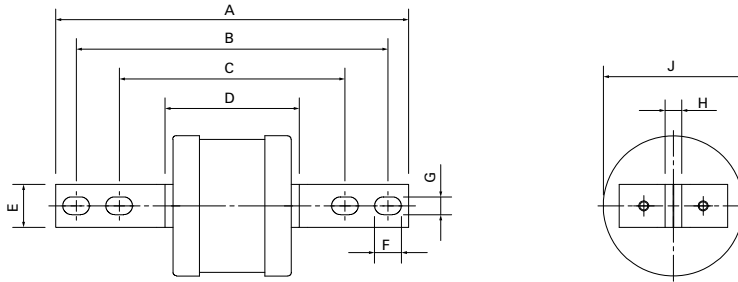


Catalogue numbers	Rated voltage	Rated current (Amps)	Breaking capacity	Operating class	Fixing centre (mm)	Pack quantity	Compatible fuse holder
EFS125	415 V a.c.	125	80 kA at 415 V a.c.	gG	133	1	RS400 Red Spot range
EFS160	415 V.a.c.	160	80 kA at 415 V a.c.	gG	133	1	
EFS200	415 V a.c.	200	80 kA at 415 V a.c.	gG	133	1	
EFS250	415 V a.c.	250	80 kA at 415 V a.c.	gG	133	1	
EFS315	415 V.a.c.	315	80 kA at 415 V a.c.	gG	133 / 184	1	

Dimensions - mm



Catalogue numbers	A	B	C	D	E	F	G	H	K
EFS125-250	158	133	47	31	3.2	19	12.5	10.5	22.5



Catalogue numbers	A	B	C	D	E	F	G	H	J
EFS315	209	184	133	50	25.4	12.5	10.5	4.7	38

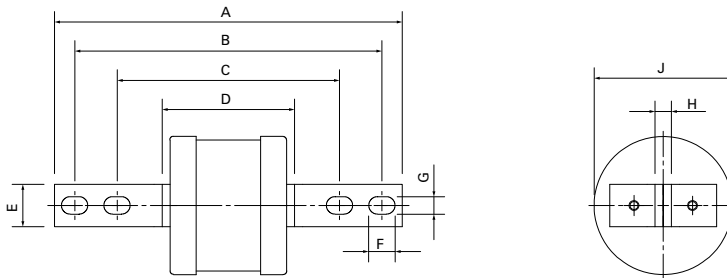
Data sheet: 4121

EF, class gG, 415 V a.c, 355 and 400 A - class gM, 550 V a.c., 400 A



Catalogue numbers	Rated voltage	Rated current (Amps)	Breaking capacity	Operating class	BS reference	Fixing centre (mm)	Pack quantity	Compatible fuse holder
EF355	415 V a.c.	355	80 kA at 415 V a.c.	gG	C1	133/184	1	RS400 Red Spot range
EF400	415 V a.c.	400	80 kA at 415 V a.c.	gG	C1	133/184	1	
EF400M500	550 V a.c.	400M500	80 kA at 550 V a.c.	gM	C1	133/184	1	

Dimensions - mm



Catalogue numbers	A	B	C	D	E	F	G	H	J
EF355-400	209	184	133	50	25.4	12.5	10.5	4.7	38
EF400M500	210	184	133	75	25.4	15.5	10.5	4.7	59

Data sheet: 4120

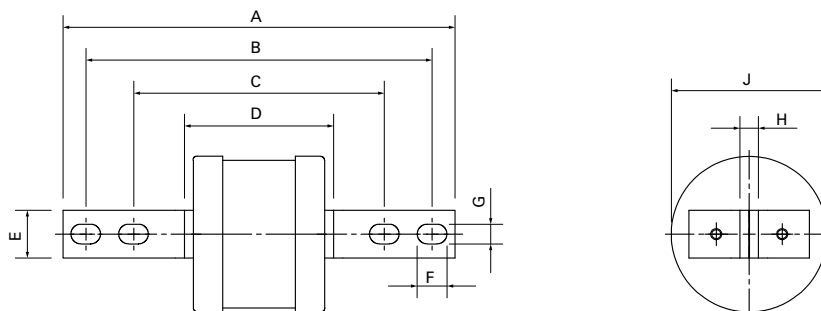
Centre bolted tags fuse links

FF, class gG, 690 V a.c, 400 V d.c., 450 to 630 A

Catalogue numbers	Rated voltage	Rated current (Amps)	Breaking capacity	Operating class	BS reference	Fixing centre (mm)	Pack quantity
FF450	690 V a.c. / 400 V d.c.	450	80 kA at 690 V a.c.	gG	C2	133/184	1
FF500	690 V a.c. / 400 V d.c.	500	80 kA at 690 V a.c.	gG	C2	133/184	1
FF560	690 V a.c. / 400 V d.c.	560	80 kA at 690 V a.c.	gG	C2	133/184	1
FF630	690 V a.c. / 400 V d.c.	630	80 kA at 690 V a.c.	gG	C2	133/184	1



Dimensions - mm



Catalogue numbers	A	B	C	D	E	F	G	H	J
FF450-630	210	185	134	77.5	25.4	15.5	10.5	6.4	74

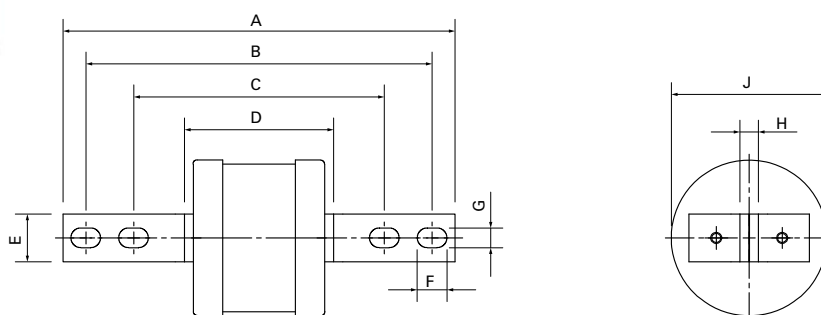
Data sheet: 4102

GF, class gG, 550 V a.c and 250 V d.c., 710 and 800 A

Catalogue numbers	Rated voltage	Rated current (Amps)	Breaking capacity	Operating class	BS reference	Fixing centre (mm)	Pack quantity
GF710	550 V a.c. / 250 V d.c.	710	80 kA at 550 V a.c.	gG	C3	133/184	1
GF800	550 V a.c. / 250 V d.c.	800	80 kA at 550 V a.c.	gG	C3	133/184	1



Dimensions - mm



Catalogue numbers	A	B	C	D	E	F	G	H	J
GF710-800	210	185	134	80.5	25.4	15.5	10.5	9.5	83

Data sheet: 4103

1.1

Industrial and motor applications to BS88 - Standard

Centre bolted tags fuse links

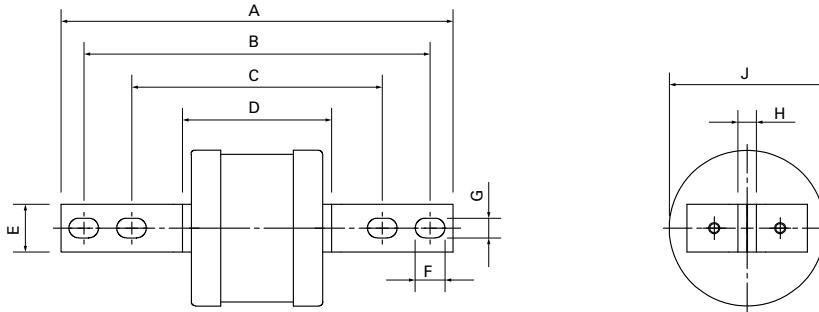
Centre bolted tags fuse links

FG, class gG, 550 V a.c and 400 V d.c., 450 to 630 A



Catalogue numbers	Rated voltage	Rated current (Amps)	Breaking capacity	Operating class	Fixing centre (mm)	Pack quantity
FG450	550 V a.c. / 400 V d.c.	450	80 kA at 550 V a.c.	gG	167/231	1
FG500	550 V a.c. / 400 V d.c.	500	80 kA at 550 V a.c.	gG	167/231	1
FG560	550 V a.c. / 400 V d.c.	560	80 kA at 550 V a.c.	gG	167/231	1
FG630	550 V a.c. / 400 V d.c.	630	80 kA at 550 V a.c.	gG	167/231	1

Dimensions - mm



Catalogue numbers	A	B	C	D	E	F	G	H	J
FG450-630	262	231	167	77.5	38	15.5	10.5	6.4	74

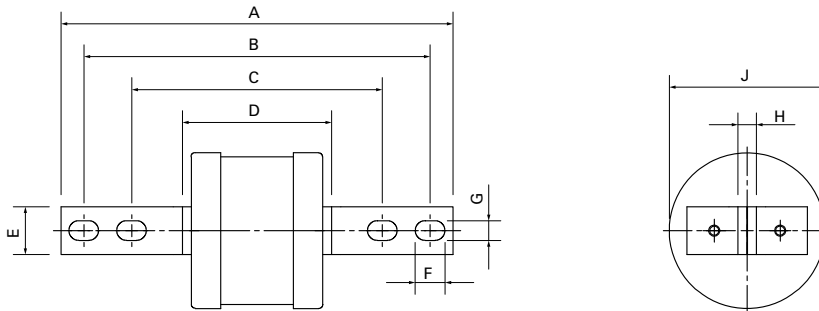
Data sheet: 4122

GG, class gG, 550 V a.c., 710 to 1250 A



Catalogue numbers	Rated voltage	Rated current (Amps)	Breaking capacity	Operating class	Fixing centre (mm)	Pack quantity
GG710	550 V a.c.	710	80 kA at 550 V a.c.	gG	165/231	1
GG800	550 V a.c.	800	80 kA at 550 V a.c.	gG	165/231	1
GG1000	550 V a.c.	1000	80 kA at 550 V a.c.	gG	165/231	1
GG1250	550 V a.c.	1250	80 kA at 550 V a.c.	gG	165/231	1

Dimensions - mm



Catalogue numbers	A	B	C	D	E	F	G	H	J
GG710-800	262	231	167	77.5	38	15.5	10.5	6.4	83
GG1000-1250	262	231	165	84	38	15.5	10.5	12.7	100

Data sheet: 4104

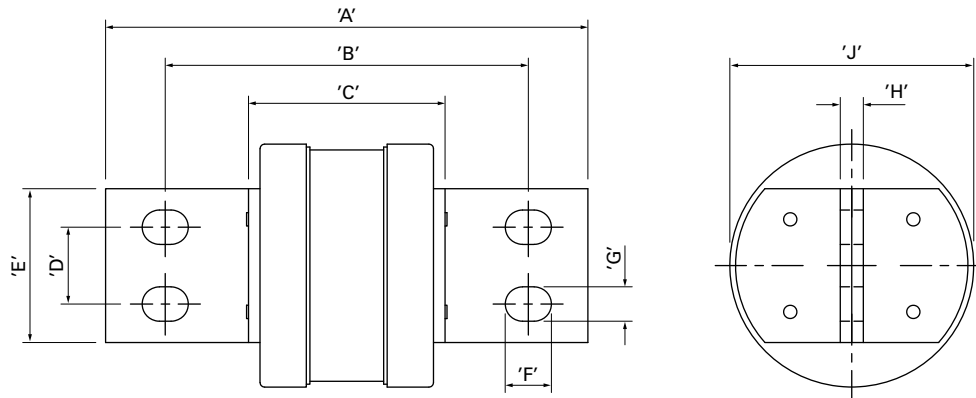
Centre bolted tags fuse links

GH, class gG, 550 V a.c., 710 to 1250 A



Catalogue numbers	Rated voltage	Rated current (Amps)	Breaking capacity	Operating class	BS reference	Fixing centre (mm)	Pack quantity
GH710	550 V a.c.	710	80 kA at 550 V a.c.	gG	DI	149	1
GH800	550 V a.c.	800	80 kA at 550 V a.c.	gG	DI	149	1
GH1000	550 V a.c.	1000	80 kA at 550 V a.c.	gG	DI	149	1
GH1250	550 V a.c.	1250	80 kA at 550 V a.c.	gG	DI	149	1

Dimensions - mm



Catalogue numbers	A	B	C	D	E	F	G	H	J
GH710-800	198	149	81	32	63.5	19	14	9.5	83
GH1000-1250	198	149	81	32	63.5	19	14	9.5	100

Data sheet: 4108

1.1

Industrial and motor applications to BS88 - Standard

Offset bladed tags fuse links

Offset bladed tags fuse links

Specifications

Description

Fuse links for general industrial applications with Q1 fusing factor, general purpose (gG) and street lighting applications.

Technical data

Rated voltage:

- gG: up to 550 V a.c., see tables for details
- gM: 415 V a.c., see tables for details

Rated current: 2 to 125 A

Breaking capacity: up to 80 kA (see tables for ratings)

Standard/agency information

Meets BS88 Part 1 and 2, IEC 60269 parts 1 and 2, in accordance with RoHS 2011/65/IEC.

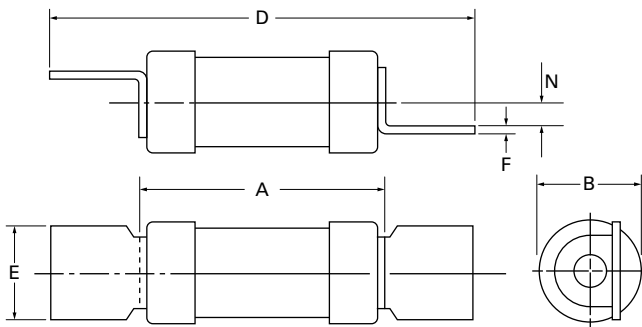
Product selection

SSD, class gG, 240 V a.c., 2 to 32 A



Catalogue numbers	Rated voltage	Rated current (Amps)	Breaking capacity	Operating class	BS reference	Pack quantity	Compatible fuse holder
SSD2	240 V a.c.	2	33 kA at 240 V a.c.	gG	E1	20	SC20 Safeclip range
SSD4	240 V a.c.	4	33 kA at 240 V a.c.	gG	E1	20	
SSD6	240 V a.c.	6	33 kA at 240 V a.c.	gG	E1	20	
SSD10	240 V a.c.	10	33 kA at 240 V a.c.	gG	E1	20	
SSD16	240 V a.c.	16	33 kA at 240 V a.c.	gG	E1	20	
SSD20	240 V a.c.	20	33 kA at 240 V a.c.	gG	E1	20	
SSD25	240 V a.c.	25	33 kA at 240 V a.c.	gG	E1	20	
SSD32	240 V a.c.	32	33 kA at 240 V a.c.	gG	E1	20	

Dimensions - mm



Catalogue numbers	A	B	D	E	F	N
SSD2-32	23	12	47	13	0.8	3.2

Data sheet: 4105

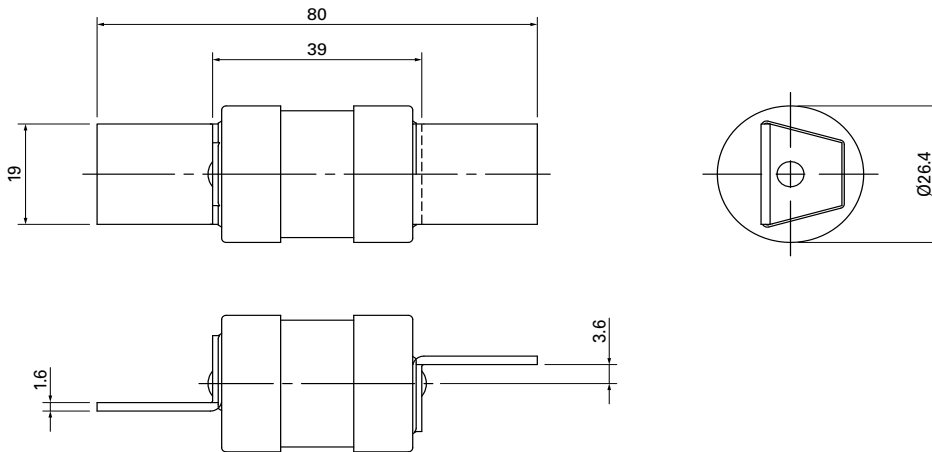
Offset bladed tags fuse links

XS, class gG, 440 V a.c, 6 to 100 A, 415 V a.c. 125 A



Catalogue numbers	Rated voltage	Rated current (Amps)	Breaking capacity	Operating class	Pack quantity	Compatible fuse holder
XS6	440 V a.c.	6	80 kA at 440 V a.c.	gG	10	SC125H-D
XS16	440 V a.c.	16	80 kA at 440 V a.c.	gG	10	
XS20	440 V a.c.	20	80 kA at 440 V a.c.	gG	10	
XS32	440 V a.c.	32	80 kA at 440 V a.c.	gG	10	
XS40	440 V a.c.	40	80 kA at 440 V a.c.	gG	10	
XS50	440 V a.c.	50	80 kA at 440 V a.c.	gG	10	
XS63	440 V a.c.	63	80 kA at 440 V a.c.	gG	10	
XS80	440 V a.c.	80	80 kA at 440 V a.c.	gG	10	
XS100	440 V a.c.	100	80 kA at 440 V a.c.	gG	10	
XS125	415 V a.c.	125	80 kA at 415 V a.c.	gG	10	

Dimensions - mm



NSD, class gG, 550 V a.c., 2 to 32 A - class gM, 415 V a.c., 20 and 32 A



Catalogue numbers	Rated voltage	Rated current (Amps)	Breaking capacity	Operating class	BS reference	Pack quantity	Compatible fuse holders
NSD2	550 V a.c.	2	80 kA at 550 V a.c.	gG	F1	20	32NNS Safeloc range
NSD4	550 V a.c.	4	80 kA at 550 V a.c.	gG	F1	20	
NSD6	550 V a.c.	6	80 kA at 550 V a.c.	gG	F1	20	SC32 Safecclip range
NSD10	550 V a.c.	10	80 kA at 550 V a.c.	gG	F1	20	
NSD16	550 V a.c.	16	80 kA at 550 V a.c.	gG	F1	20	
NSD20	550 V a.c.	20	80 kA at 550 V a.c.	gG	F1	20	
NSD25	550 V a.c.	25	80 kA at 550 V a.c.	gG	F1	20	
NSD32	550 V a.c.	32	80 kA at 550 V a.c.	gG	F1	20	
NSD20M25	415 V a.c.	20M25	80 kA at 415 V a.c.	gM	F1	20	32NNS Safeloc range
NSD20M32	415 V a.c.	20M32	80 kA at 415 V a.c.	gM	F1	20	
NSD20M36	415 V a.c.	20M36	80 kA at 415 V a.c.	gM	F1	20	
NSD32M36	415 V a.c.	32M36	80 kA at 415 V a.c.	gM	F1	20	
NSD32M40	415 V a.c.	32M40	80 kA at 415 V a.c.	gM	F1	20	
NSD32M50	415 V a.c.	32M50	80 kA at 415 V a.c.	gM	F1	20	
NSD32M63	415 V a.c.	32M63	80 kA at 415 V a.c.	gM	F1	20	

Data sheet: 4100

1.1

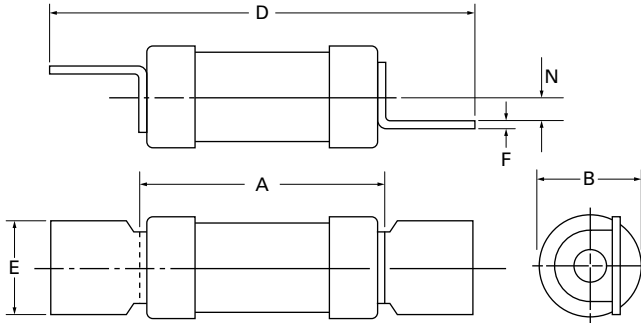
Industrial and motor applications to BS88 - Standard

Offset bladed tags fuse links

Offset bladed tags fuse links

NSD, class gG, 550 V a.c., 2 to 32 A - class gM, 415 V a.c., 20 and 32 A

Dimensions - mm



Catalogue numbers	A	B	D	E	F	N
NSD2-32 and NSD20M25-32	34.5	13.8	59.5	12.7	0.8	3.5
NSD32M36-63	34.5	17.5	58.2	12.7	0.8	3.5

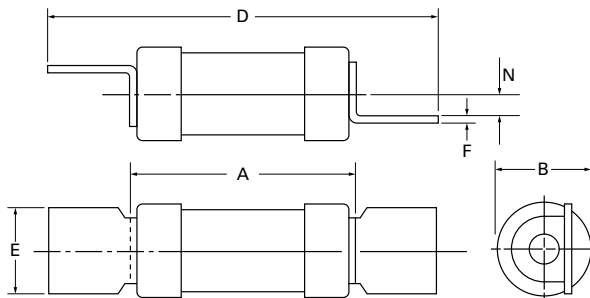
Data sheet: 4100

ESD, class gG, 415 - 550 V a.c, 2 to 63 A - class gM, 415 V a.c., 63 A



Catalogue numbers	Rated voltage	Rated current (Amps)	Breaking capacity	Operating class	BS reference	Pack quantity	Compatible fuse holders
ESD2	550 V a.c.	2	80 kA at 550 V a.c.	gG	F2	20	63ENS Safeloc range
ESD4	550 V a.c.	4	80 kA at 550 V a.c.	gG	F2	20	
ESD6	550 V a.c.	6	80 kA at 550 V a.c.	gG	F2	20	SC63 Safeclip range
ESD10	550 V a.c.	10	80 kA at 550 V a.c.	gG	F2	20	
ESD16	550 V a.c.	16	80 kA at 550 V a.c.	gG	F2	20	
ESD20	550 V a.c.	20	80 kA at 550 V a.c.	gG	F2	20	
ESD25	550 V a.c.	25	80 kA at 550 V a.c.	gG	F2	20	
ESD32	550 V a.c.	32	80 kA at 550 V a.c.	gG	F2	20	
ESD40	415 V a.c.	40	80 kA at 550 V a.c.	gG	F2	20	
ESD50	415 V a.c.	50	80 kA at 550 V a.c.	gG	F2	20	
ESD63	415 V a.c.	63	80 kA at 550 V a.c.	gG	F2	20	
ESD63M80	415 V a.c.	63M80	80 kA at 415 V a.c.	gM	F2	20	63ENS range
ESD63M100	415 V a.c.	63M100	80 kA at 415 V a.c.	gM	F2	20	

Dimensions - mm

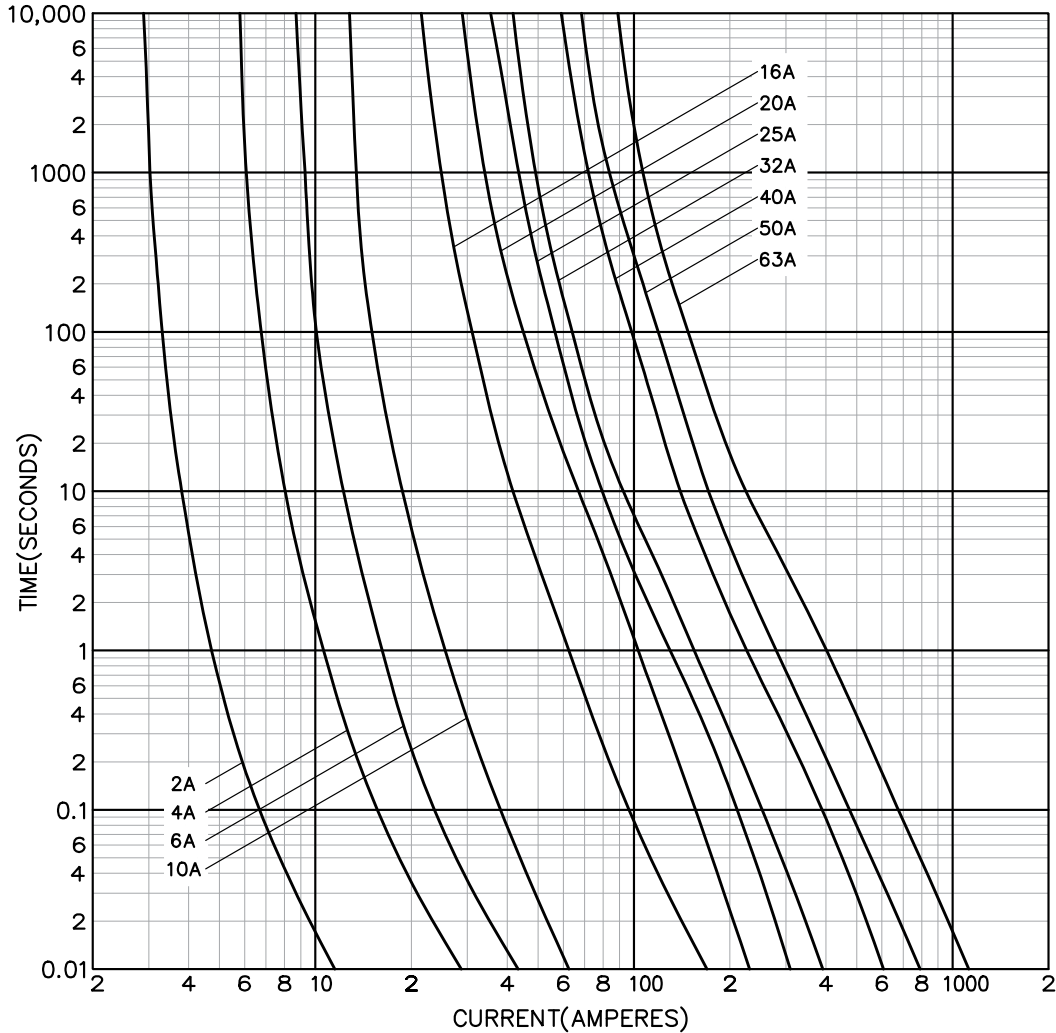


Catalogue numbers	A	B	D	E	F	N
ESD2-32	35.5	13.8	68	15	1.2	3.5
ESD40-63	35.5	17.5	68	15	1.2	3.5
ESD63M80-100	35.5	21	68	15	1.2	3.5

Data sheet: 4101

Time-current curves - General application fuse links

AAO, BAO, BC and BD gG fuse links



I²t (Amps² Seconds)

Catalogue prefix	Amp rating	Pre-arcing	Total at 415 V	Nom watts loss
AAO	2	1.4	4.7	0.9
AAO	4	7.8	26	1.4
AAO	6	28	100	1.8
AAO	10	125	400	2.1
AAO	16	120	470	1.8
AAO	20	260	1000	1.8
AAO	25	570	2300	2.0
AAO	32	710	3000	2.9
BAO BC BD	40	1400	3600	4.7
BAO BC BD	50	3000	8000	4.9
BAO BC BD	63	6700	18800	5.6

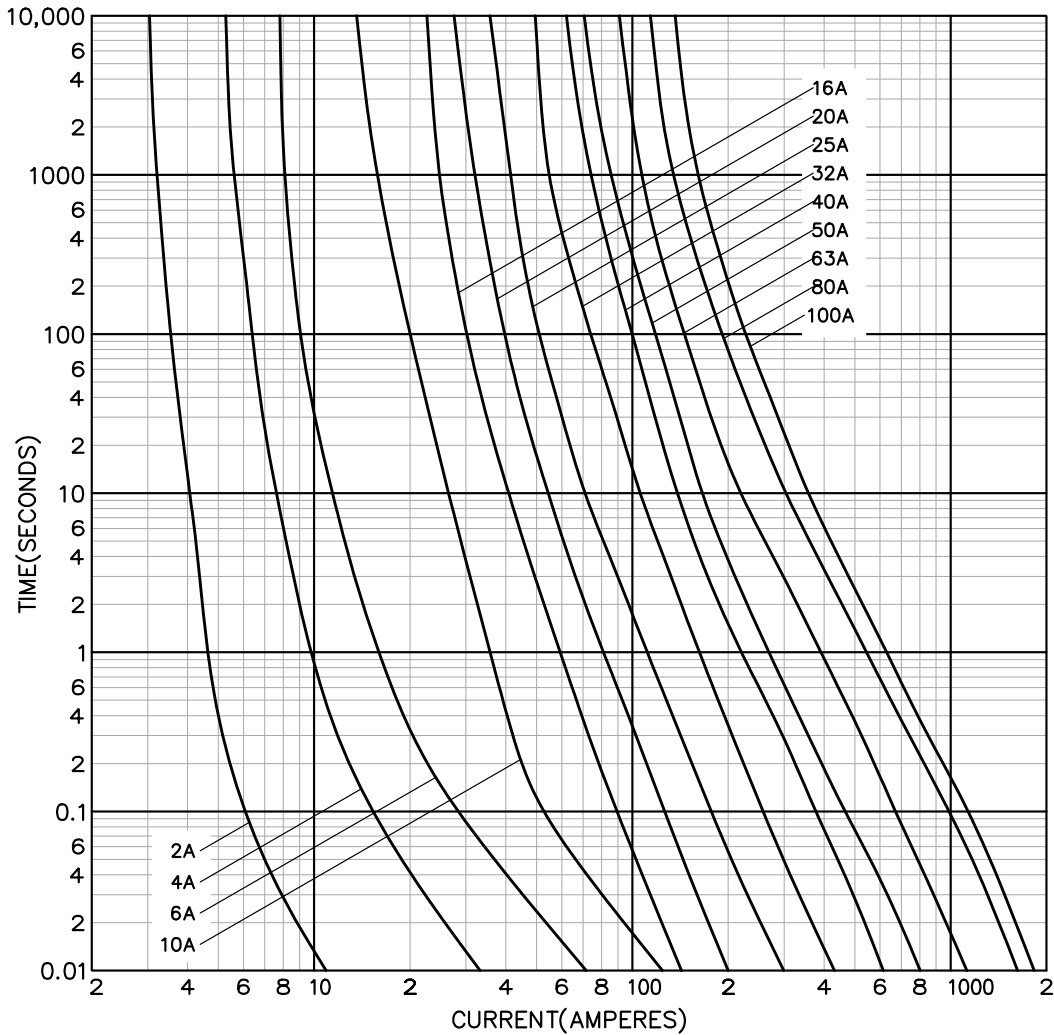
1.1

Industrial and motor applications to BS88 - Standard

Time-current curves - General application fuse links

Time-current curves - General application fuse links

AC, AD, CD, CEO and OSD - gG Fuse links

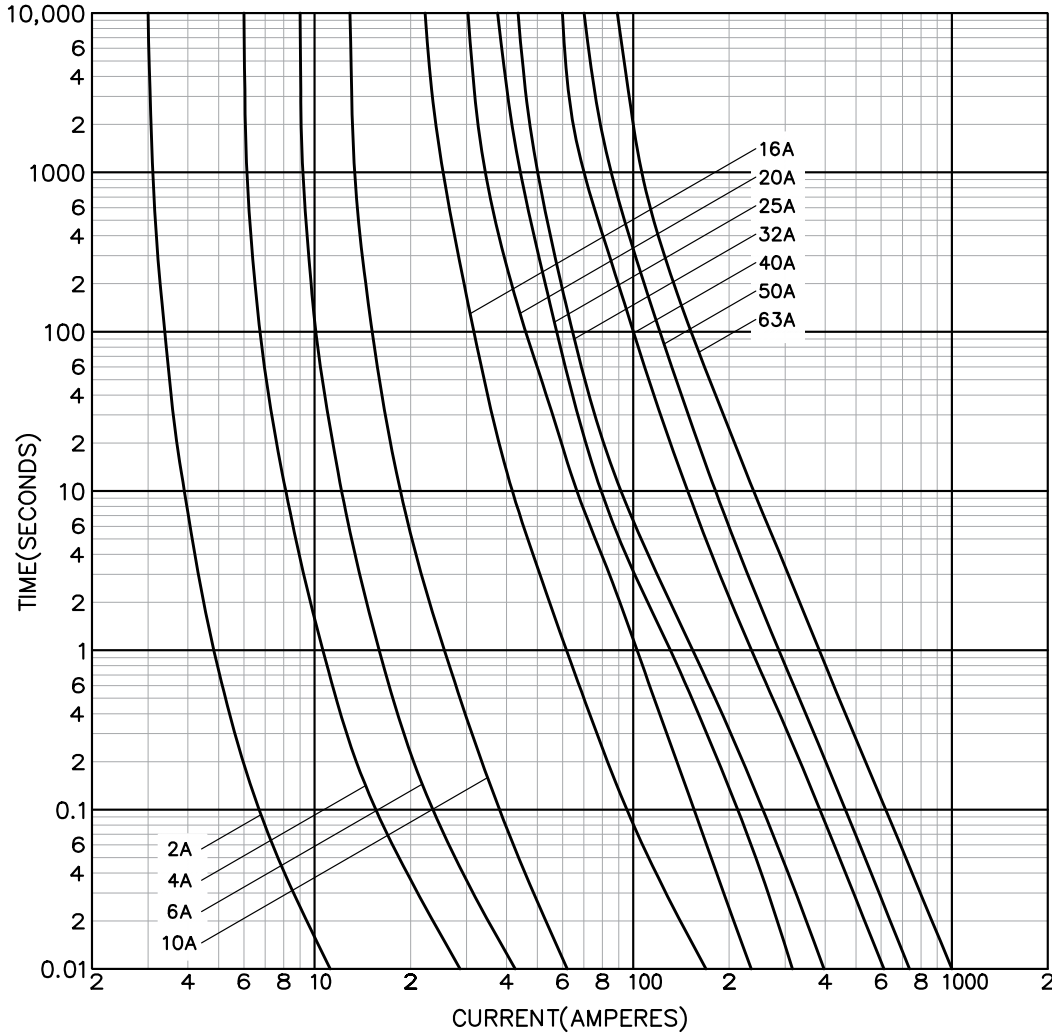


I²t (Amps² Seconds)

Catalogue prefix		Amp rating	Pre-arcing	Total at 415 V	Nom watts loss		
AC	AD	2	1.2	3.1	1.2		
AC	AD	4	11	31	1.4		
AC	AD	6	32	90	1.8		
AC	AD	10	20	60	2.4		
AC	AD	16	85	240	2.9		
AC	AD	20	220	580	3.1		
AC	AD	25	500	1400	3.2		
AC	AD	CEO	32	1000	2760	3.5	
		CEO	40	1400	3750	4.7	
		CEO	50	3000	8350	4.9	
		CEO	63	7000	18800	5.6	
	CEO	CD	OSD	80	13000	35200	7.2
	CEO	CD	OSD	100	25000	76500	5.6

Time-current curves - General application fuse links

ESD, NITD, NSD - gG Fuse links



I²t (Amps² Seconds)

Catalogue prefix			Amp rating	Pre-arcing	Total at 415 V	Nom watts loss
NSD	NITD	ESD	2	1.3	4.6	0.9
NSD	NITD	ESD	4	8	27	1.4
NSD	NITD	ESD	6	29	100	1.8
NSD	NITD	ESD	10	120	400	2.1
NSD	NITD	ESD	16	120	470	1.8
NSD	NITD	ESD	20	260	1070	1.8
NSD	NITD	ESD	25	560	2300	2.0
NSD	NITD	ESD	32	710	3000	2.9
		ESD	40	1500	6000	3.2
		ESD	50	2700	8700	3.9
		ESD	63	5000	13300	4.6

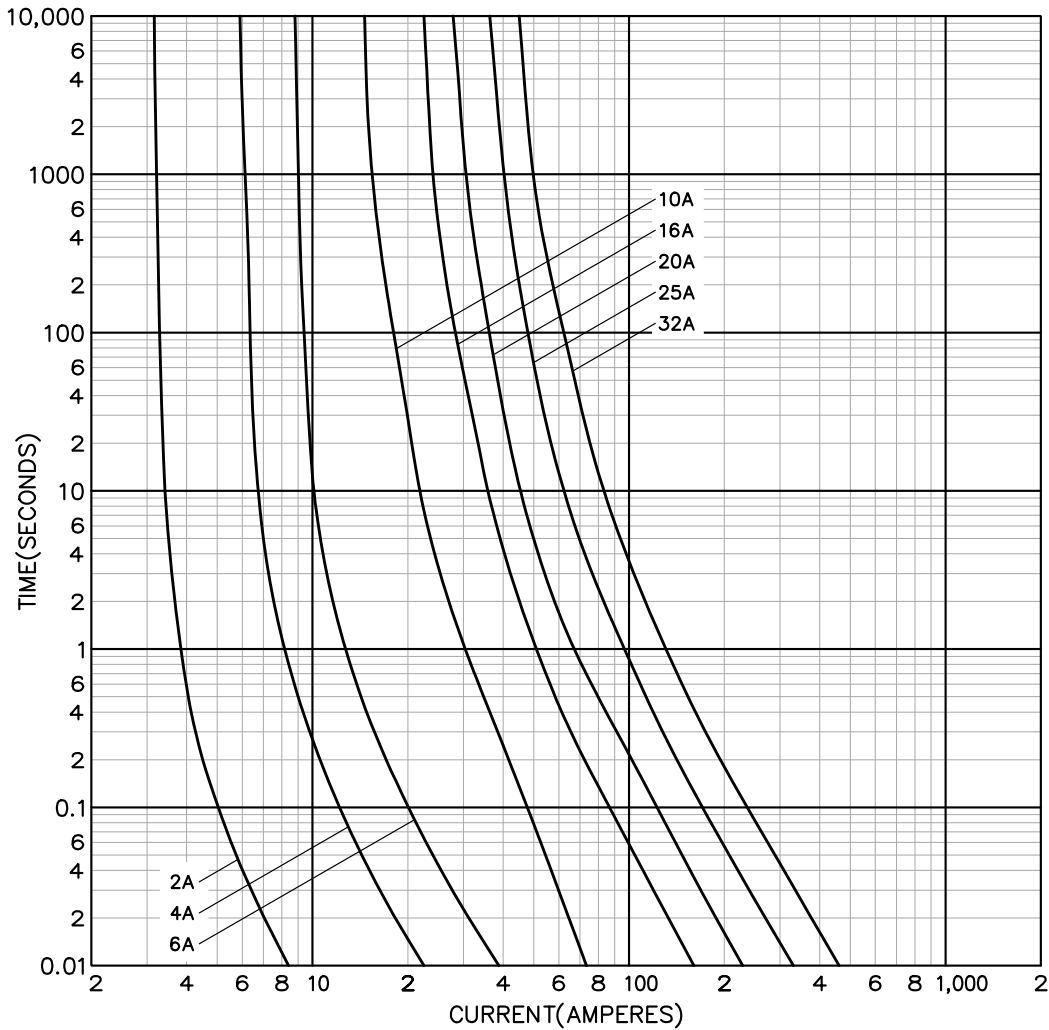
1.1

Industrial and motor applications to BS88 - Standard

Time-current curves - General application fuse links

Time-current curves - General application fuse links

SSD - gG Fuse links

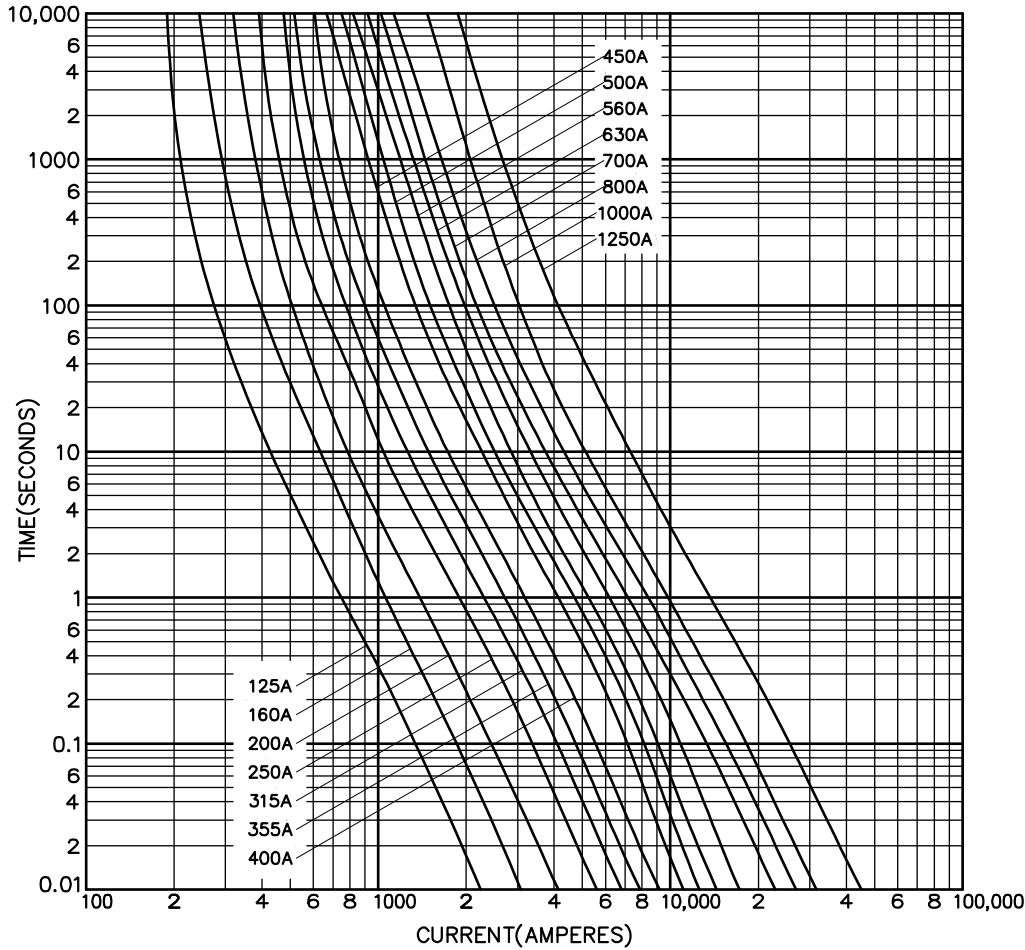


I^2t (Amps² Seconds)

Catalogue prefix	Amp rating	Pre-arcing	Total at 415 V	Nom watts loss
SSD2	2	0.8	1	0.5
SSD4	4	5.5	8	1.0
SSD6	6	1.5	22	1.6
SSD10	10	28	42	1.2
SSD16	16	160	250	1.5
SSD20	20	290	450	1.7
SSD25	25	800	1300	1.8
SSD32	32	1600	2500	2.4

Time-current curves - General application fuse links

DD, DEO, ED, EFS, EF, FF, FG, GF, GG, GH - gG Fuse links



I²t (Amps² Seconds)

Catalogue prefix				Amp rating	Pre-arcing	Total at 240 V	Total at 415 V	Total at 550 V	Nom watts loss
DD	DEO		EFS	125	29,500	50,000	71,000	-	11
DD	DEO		EFS	160	57,000	97,000	135,000	-	13
DD	DEO		EFS	200	120,000	205,000	290,000	-	14
ED		ED	EFS	250	200,000	340,000	480,000	-	18
		ED	EFS	315	265,000	450,000	635,000	-	22
		ED	EF	355	360,000	610,000	865,000	-	24
		ED	EF	400	475,000	810,000	1,150,000	-	29
			FF FG	450	880,000	-	1,600,000	2,200,000	32
			FF FG	500	1,100,000	-	2,000,000	2,800,000	38
			FF FG	560	1,400,000	-	2,400,000	3,500,000	43
			FF FG	630	2,000,000	-	3,500,000	5,000,000	50
			GF GG GH	710	3,500,000	-	8,100,000	11,000,000	53
			GF GG GH	800	5,050,000	-	11,500,000	15,500,000	64
			GG GH	1000	6,800,000	-	16,000,000	21,000,000	69
			GG GH	1250	14,000,000	-	31,000,000	42,000,000	85

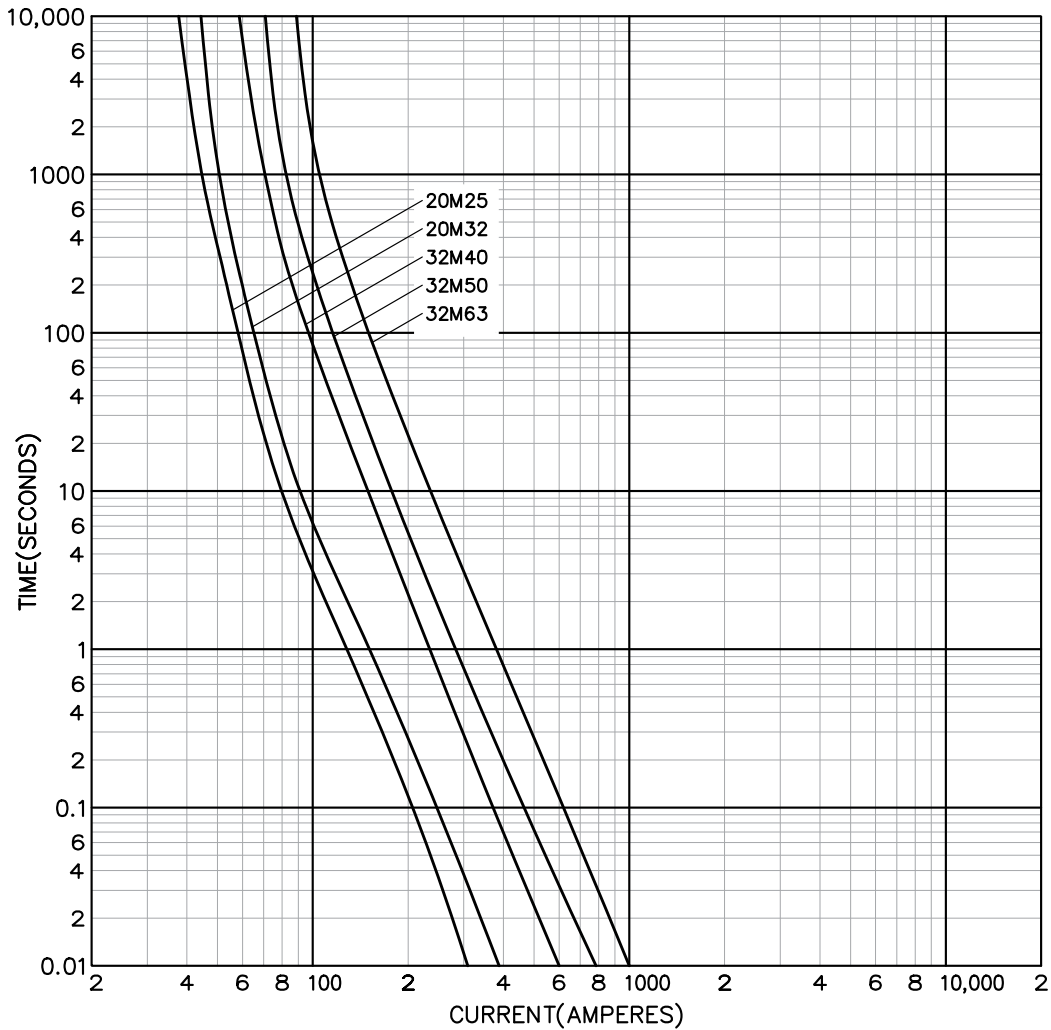
1.1

Industrial and motor applications to BS88 - Standard

Time-current curves - Motor rated fuse links

Time-current curves - Motor rated fuse links

NITD - aM Motor fuse links

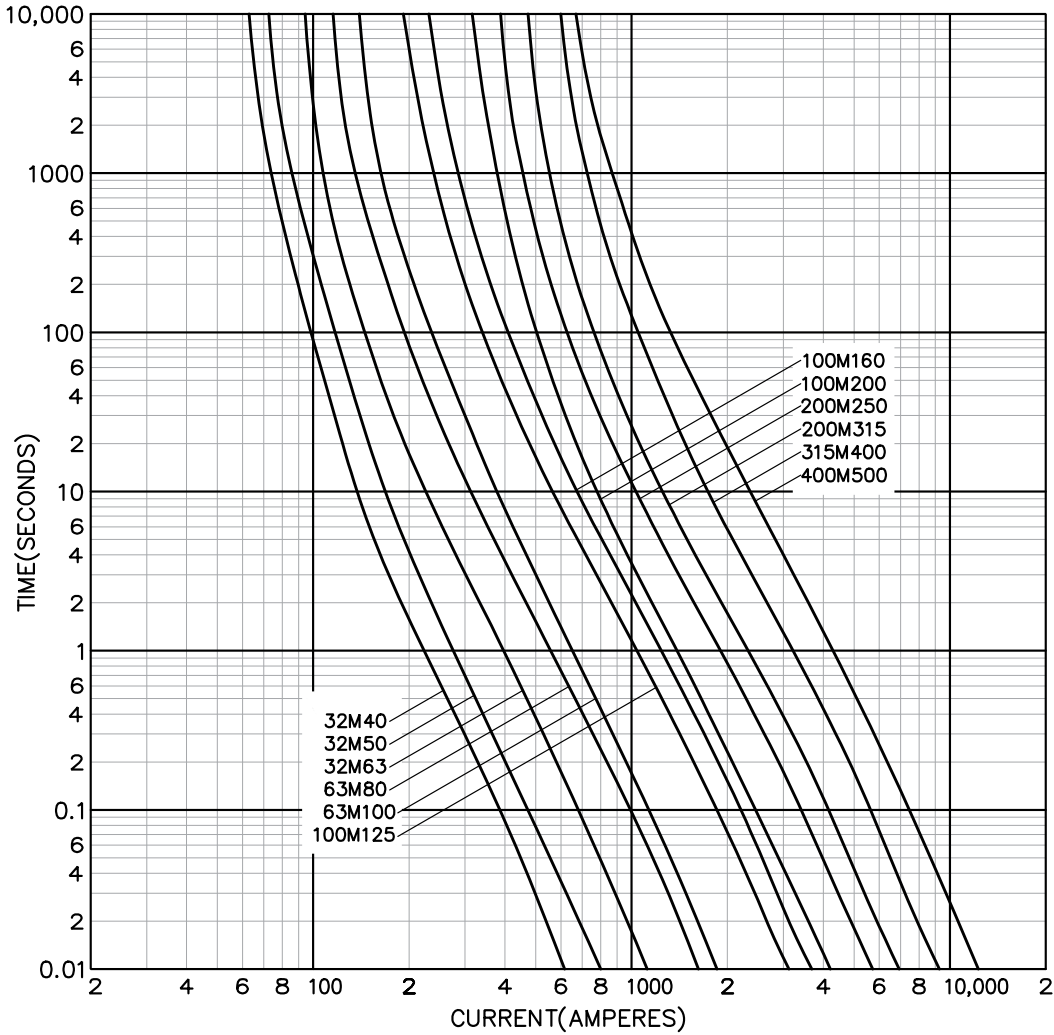


I^2t (Amps² Seconds)

Catalogue number	Amp rating	Pre-arcing	Total at 415 V	Total at 550 V	Nom watts loss
NITD20M25	20M25	575	2300	3700	1.6
NITD20M32	20M32	720	3000	6000	1.1
NITD32M40	32M40	1500	6000	-	1.9
NITD32M50	32M50	2700	8600	-	1.4
NITD32M63	32M63	5000	13,400	-	1.0

Time-current curves - Motor rated fuse links

AAO, BAO, BC, CD, CEO, DE, DD, DEO, ED, EF, OSD - aM Motor fuse links



Catalogue prefix				Amp rating	I ² t (Amps ² Seconds)			
				Pre-arcing	Total at 415 V	Total at 550 V		
AAO				32M40	1400	3800	5000	
AAO				32M50	3000	8500	11,000	
AAO				32M63	7000	18,000	24,800	
	BAO	BC		63M80	12,600	33,900	50,000	
	BAO	BC		63M100	24,000	72,900	90,000	
		CD	CEO	OSD	100M125	57,000	150,000	-
		CD	CEO	OSD	100M160	72,500	190,000	-
		CD	CEO		100M200	120,000	290,000	-
			DD	DEO	200M250	200,000	480,000	-
			DD		200M315	265,000	635,000	-
				ED	315M400	475,000	1,150,000	-
				ED	400M500	1,200,000	2,700,000	3,600,000

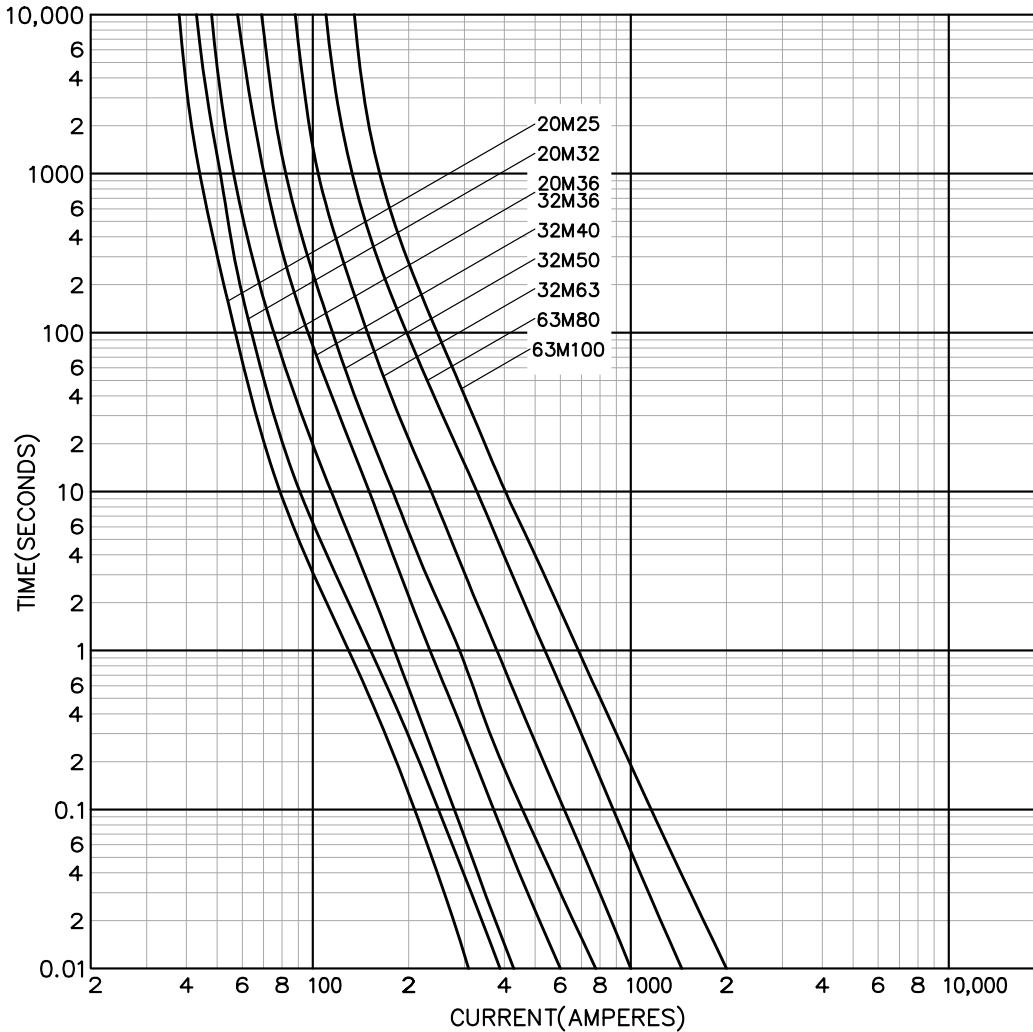
1.1

Industrial and motor applications to BS88 - Standard

Time-current curves - Motor rated fuse links

Time-current curves - Motor rated fuse links

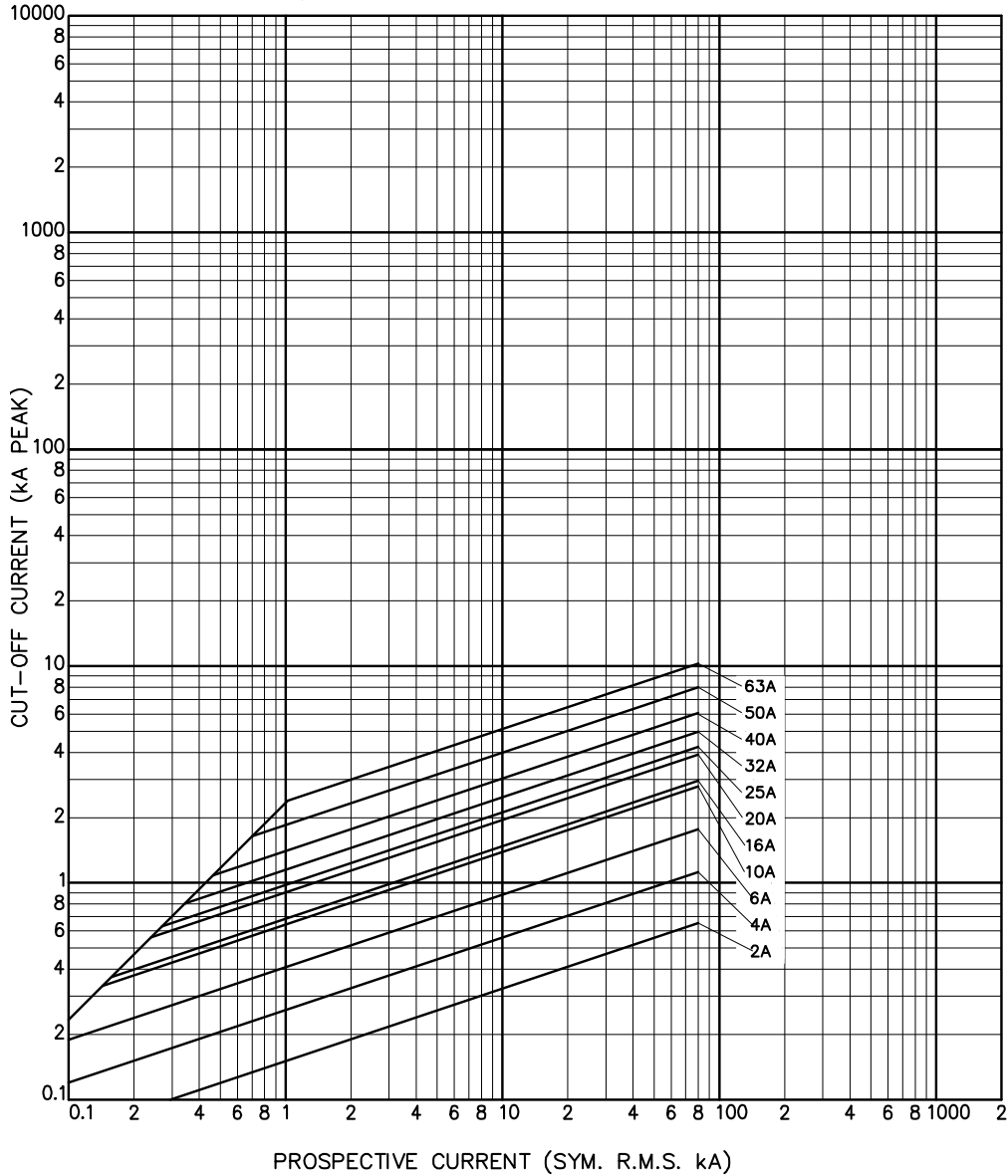
OSD and ESD - aM Motor fuse links



Catalogue prefix	Amp rating	I ² t (Amps ² Seconds)		
		Pre-arcing	Total at 415 V	Nom watts loss
NSD	20M25	570	2350	1.2
NSD	20M32	770	3000	0.95
NSD	20M36	1150	5000	0.88
NSD	32M36	1150	5000	2.4
NSD	32M40	1500	6000	1.9
NSD	32M50	2700	8700	1.4
NSD	32M63	5000	13,550	1.0
ESD	63M80	12,650	40,000	3.4
ESD	63M100	20,750	70,000	2.5

Cut-off curves - General application fuse links

AAO, BAO, BC, BD - gG Fuse links



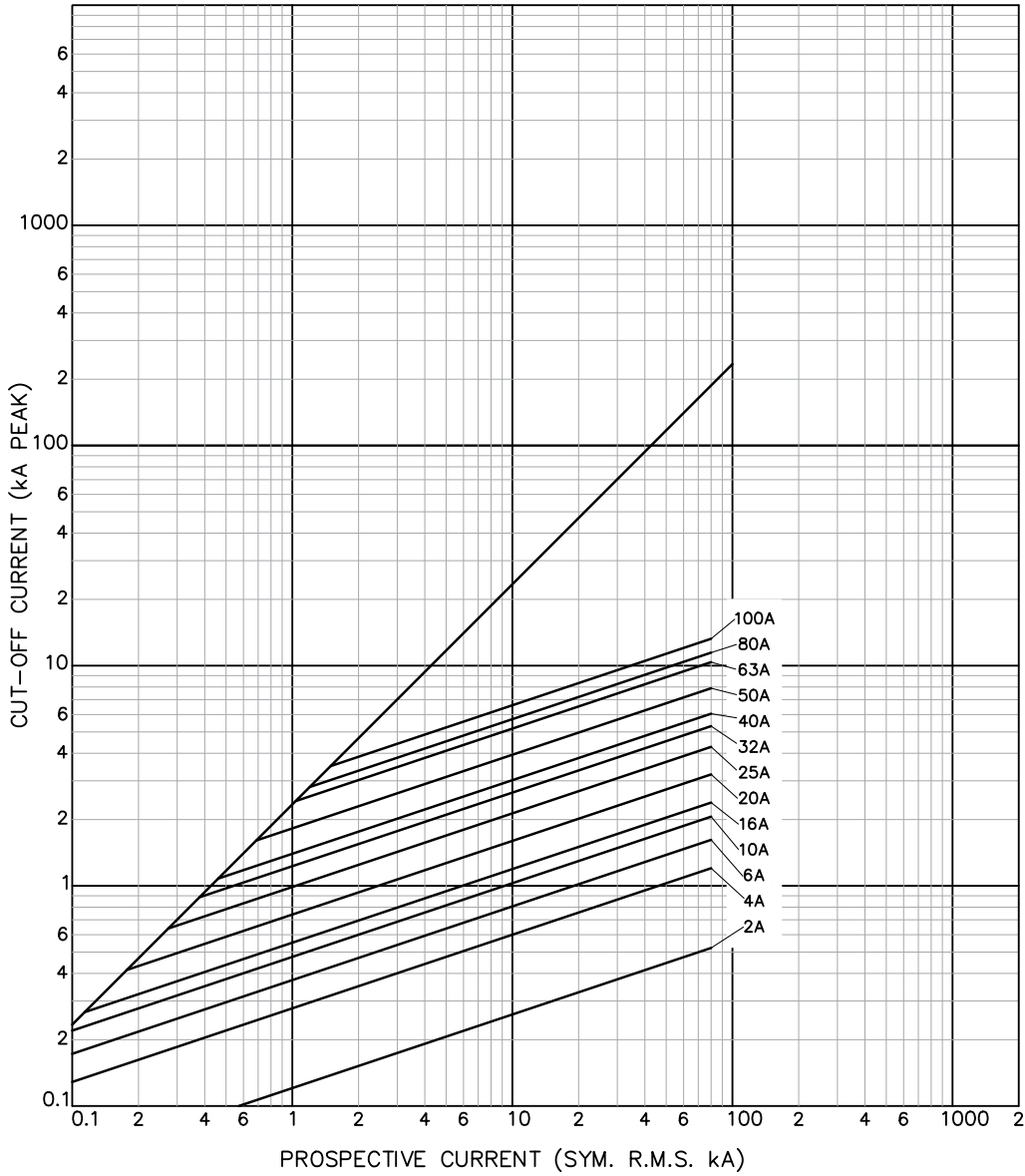
1.1

Industrial and motor applications to BS88 - Standard

Cut-off curves - General application fuse links

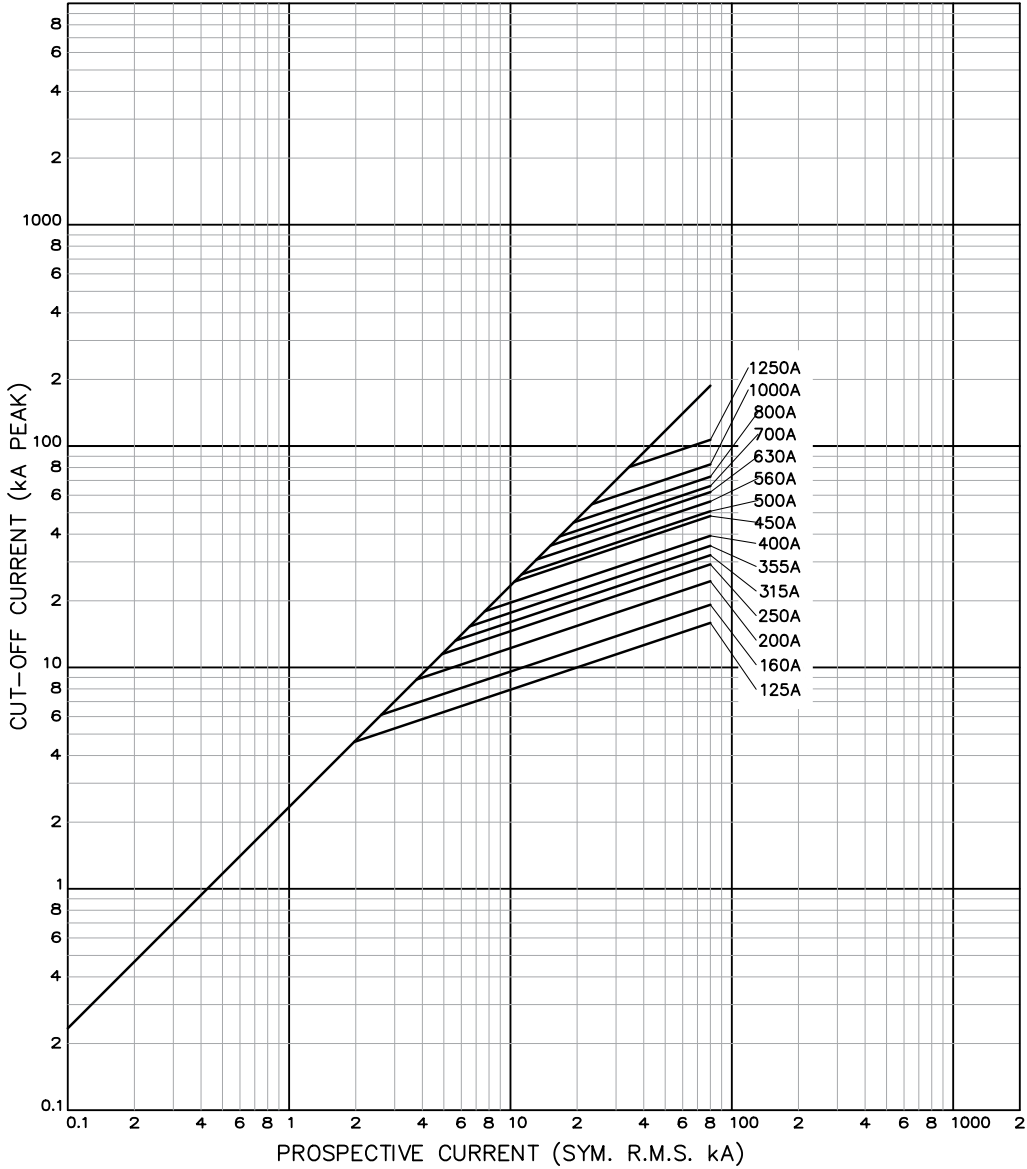
Cut-off curves - General application fuse links

AC, AD, CD, CEO, OSD - gG Fuse links



Cut-off curves - General application fuse links

DD, DEO, ED, EF, EFS, FF, FG, GF, GG, GH - gG Fuse links



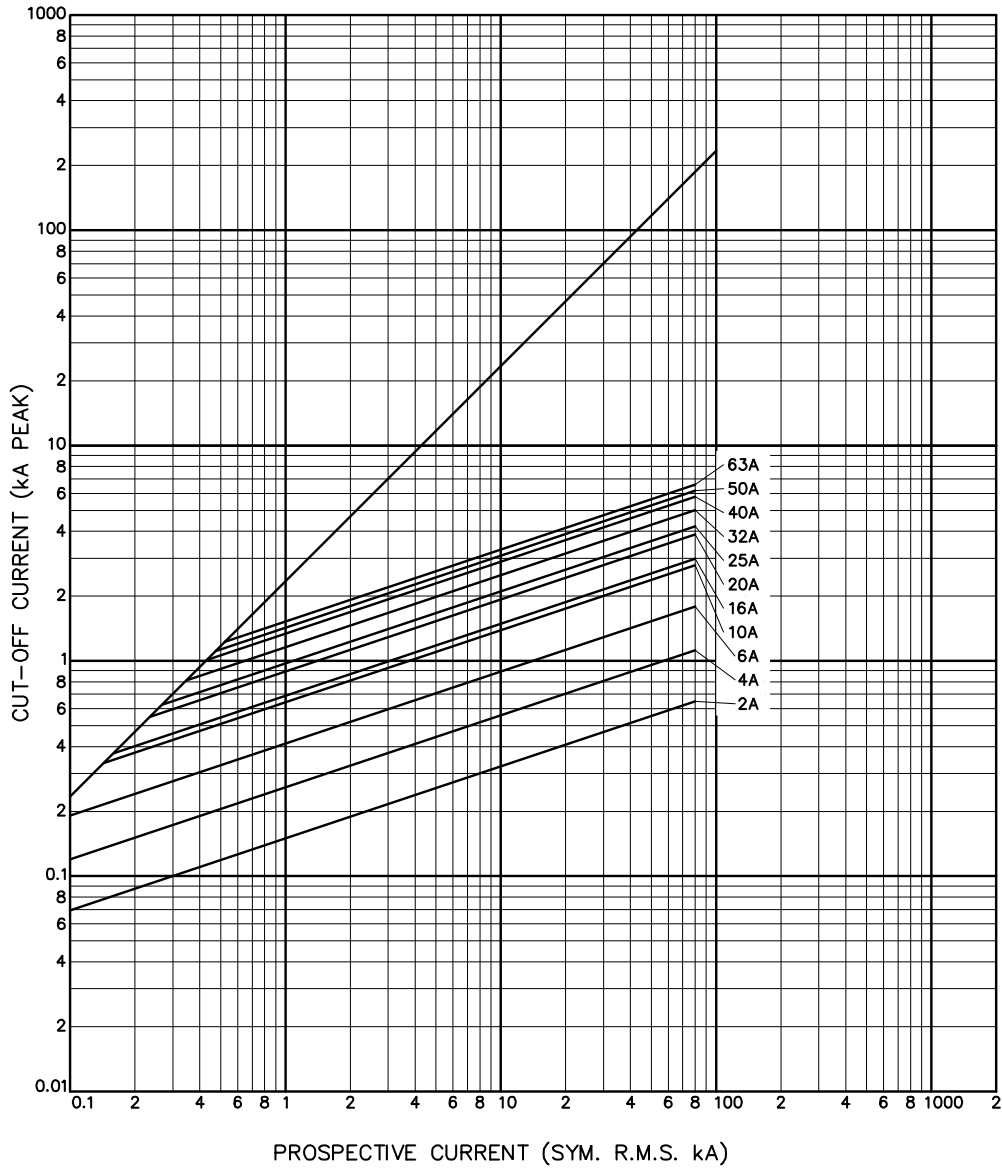
1.1

Industrial and motor applications to BS88 - Standard

Cut-off curves - General application fuse links

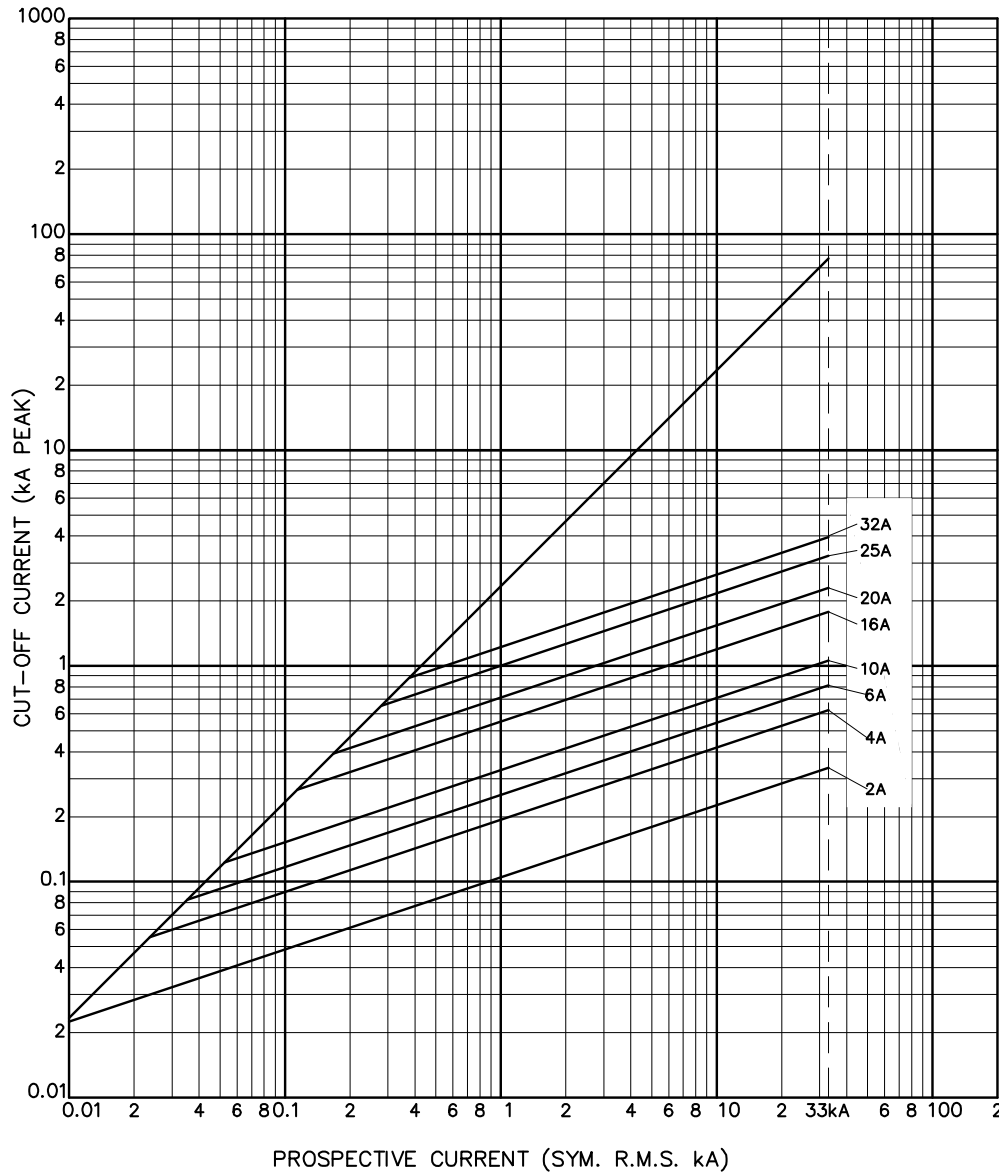
Cut-off curves - General application fuse links

ESD, NITD, NSD - gG Fuse links



Cut-off curves - General application fuse links

SSD - gG Fuse links



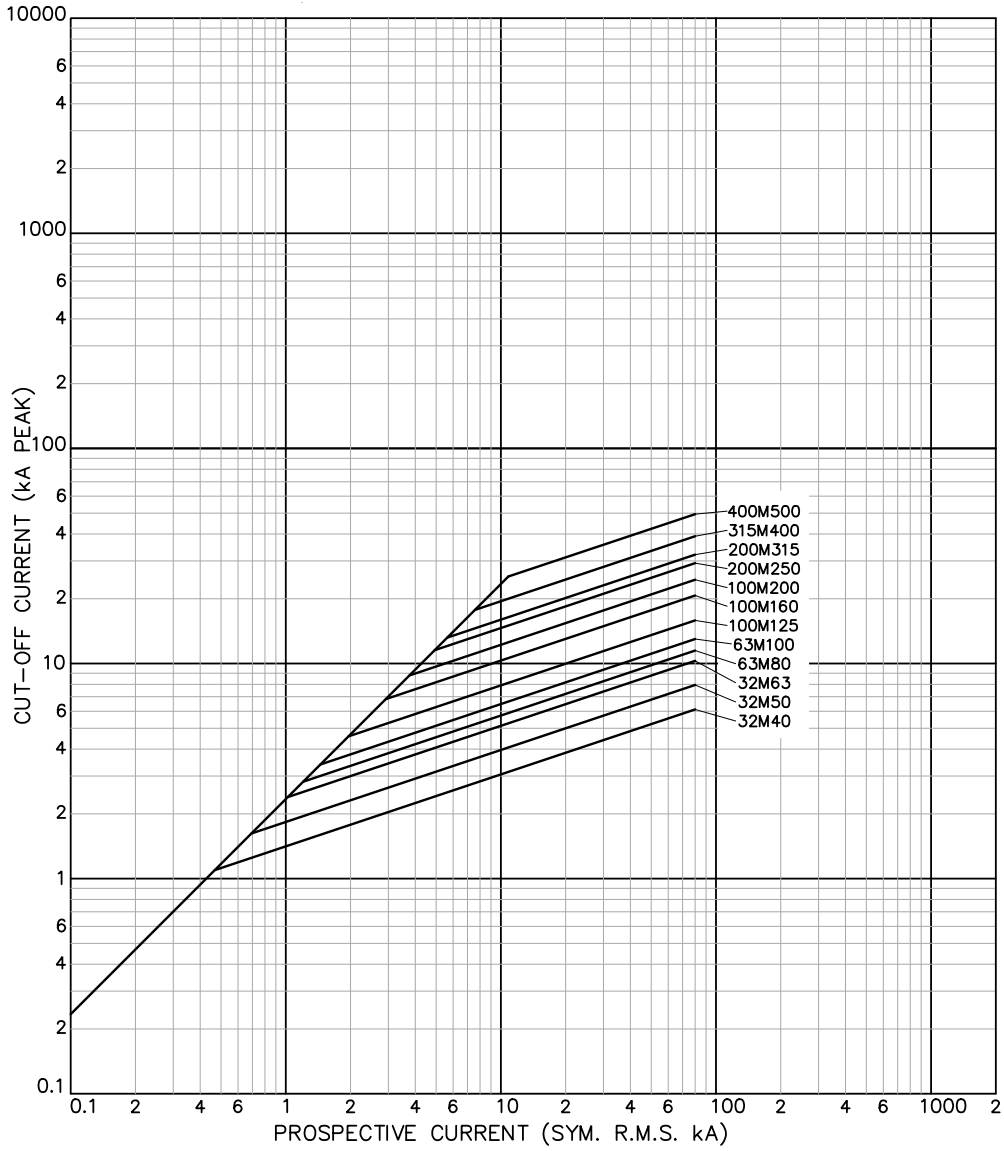
1.1

Industrial and motor applications to BS88 - Standard

Cut-off curves - Motor rated fuse links

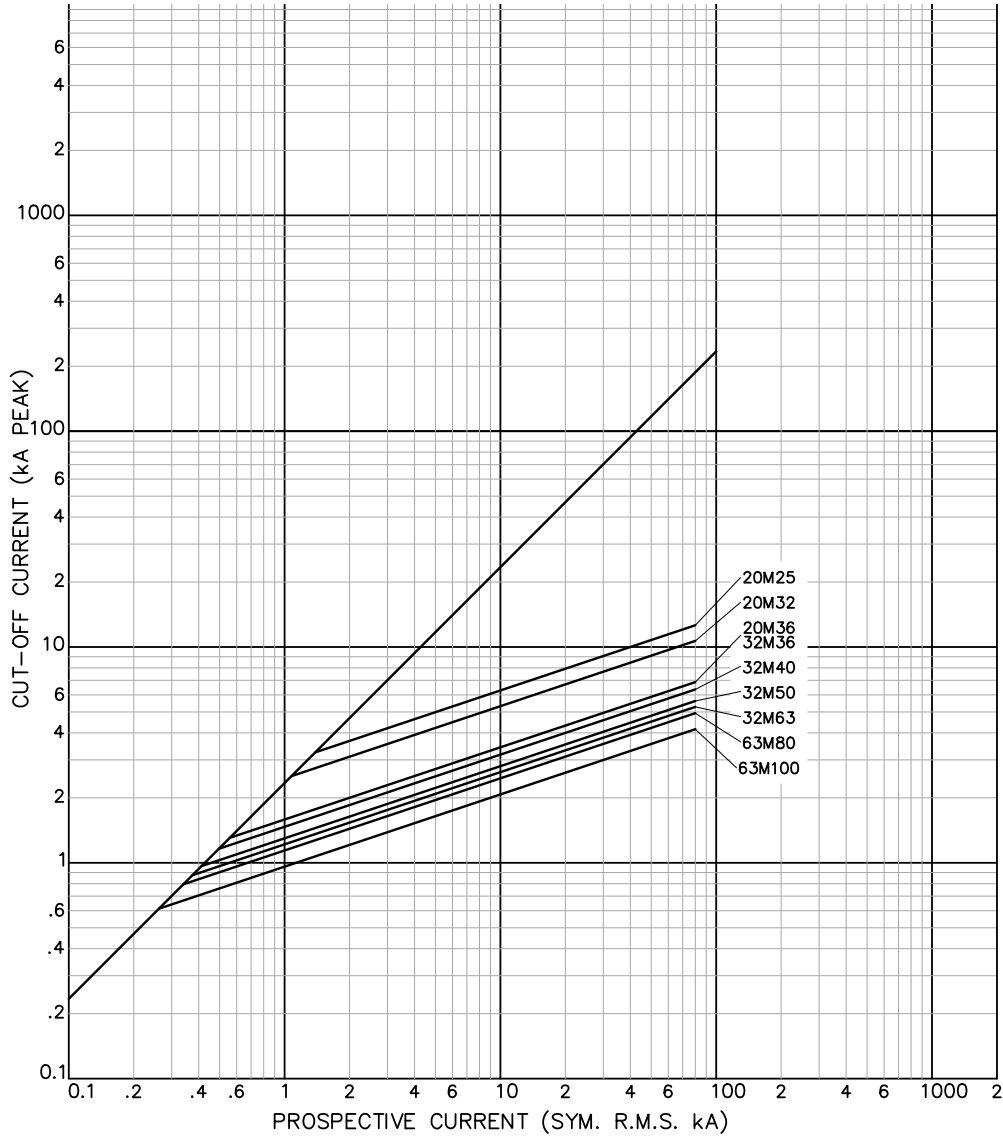
Cut-off curves - Motor rated fuse links

AAO, BAO, CD, CEO, DD, DEO, ED, OSD - aM Fuse links



Cut-off curves - Motor rated fuse links

ESD, NSD - aM Fuse links



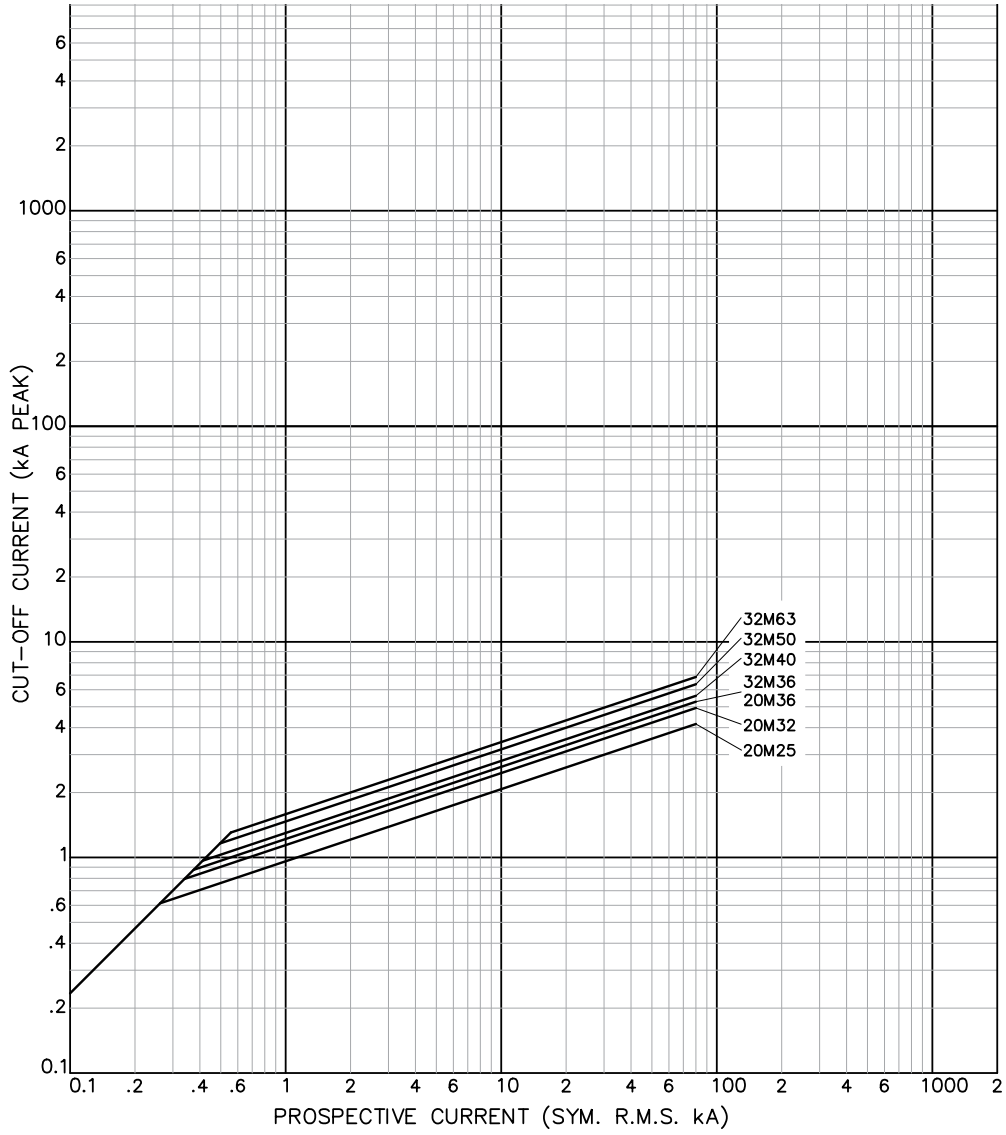
1.1

Industrial and motor applications to BS88 - Standard

Cut-off curves - Motor rated fuse links

Cut-off curves - Motor rated fuse links

NITD - aM Fuse links



Special DC range offset/centre bolted tags fuse links

Specifications

Description

Fuse links for industrial DC applications available in offset and centre bolted tags for the protection of DC electrical circuits.

Technical data

Rated voltage: 500 V d.c.(max 20 mS time constant)*
 Rated current: 10 to 63 A
 Breaking capacity: 40 kA at 500 V d.c.

Standard/agency information

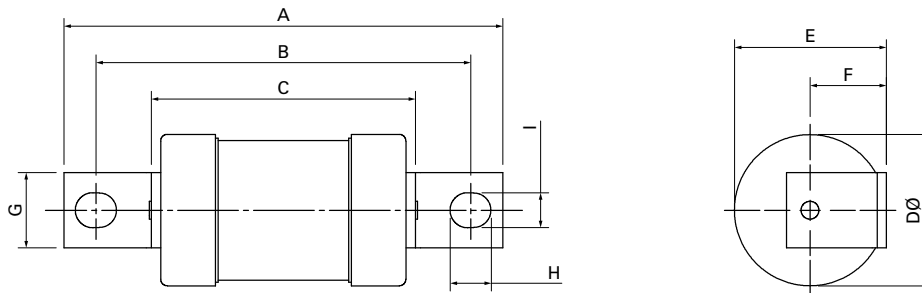
Meets BS88 Part 1 and 2, in accordance with RoHS 2011/65/IEC.

Product selection

HS07, class gG, 500 V d.c, 10 to 32 A, offset bolted tags

Catalogue numbers	Rated voltage	Rated current (Amps)	Breaking capacity*	Operating class	Fixing centre (mm)	Pack quantity	Compatible fuse holder
10HS07	500 V d.c.	10	40 kA at 500 V d.c.*	gG	73	20	CM32F Camaster range
16HS07	500 V d.c.	16	40 kA at 500 V d.c.*	gG	73	20	
20HS07	500 V d.c.	20	40 kA at 500 V d.c.*	gG	73	20	
25HS07	500 V d.c.	25	40 kA at 500 V d.c.*	gG	73	20	
32HS07	500 V d.c.	32	40 kA at 500 V d.c.*	gG	73	20	

Dimensions - mm

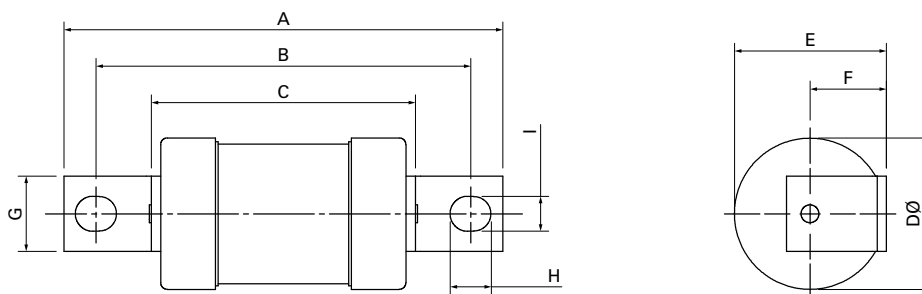


Catalogue numbers	A	B	C	D	E	F	G	H	I
10-32HS07	82.3	73	52	22	22.4	11.5	8.7	7.7	5.4

KS07, class gG, 500 V d.c, 40 to 63 A, offset bolted tags

Catalogue numbers	Rated voltage	Rated current (Amps)	Breaking capacity*	Operating class	Fixing centre (mm)	Pack quantity	Compatible fuse holder
40KS07	500 V d.c.	40	40 kA at 500 V d.c.*	gG	73	20	CM63F Camaster range
50KS07	500 V d.c.	50	40 kA at 500 V d.c.*	gG	73	20	
63KS07	500 V d.c.	63	40 kA at 500 V d.c.*	gG	73	20	

Dimensions - mm



Catalogue numbers	A	B	C	D	E	F	G	H	I
40-63KS07	86	73	54.2	25.8	26.9	14	12.7	10.5	5.5

Data sheet: E5785017

1.1

Industrial and motor applications to BS88 - Standard

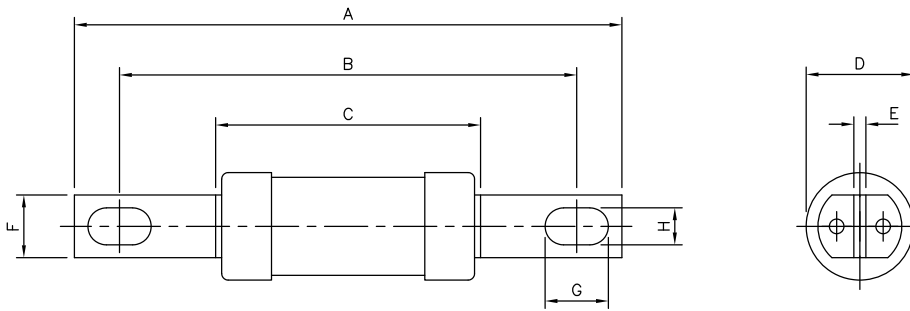
Special DC range offset/centre bolted tags fuse links

Special DC range offset/centre bolted tags fuse links

KS08, class gG, 500 V d.c., 40 to 63 A, Centre bolted tags

Catalogue numbers	Rated voltage	Rated current (Amps)	Breaking capacity*	Operating class	Fixing centre (mm)	Pack quantity
40KS08	500 V d.c.	40	40 kA at 500 V d.c.*	gG	93 mm	20
50KS08	500 V d.c.	50	40 kA at 500 V d.c.*	gG	93 mm	20
63KS08	500 V d.c.	63	40 kA at 500 V d.c.*	gG	93 mm	20

Dimensions - mm

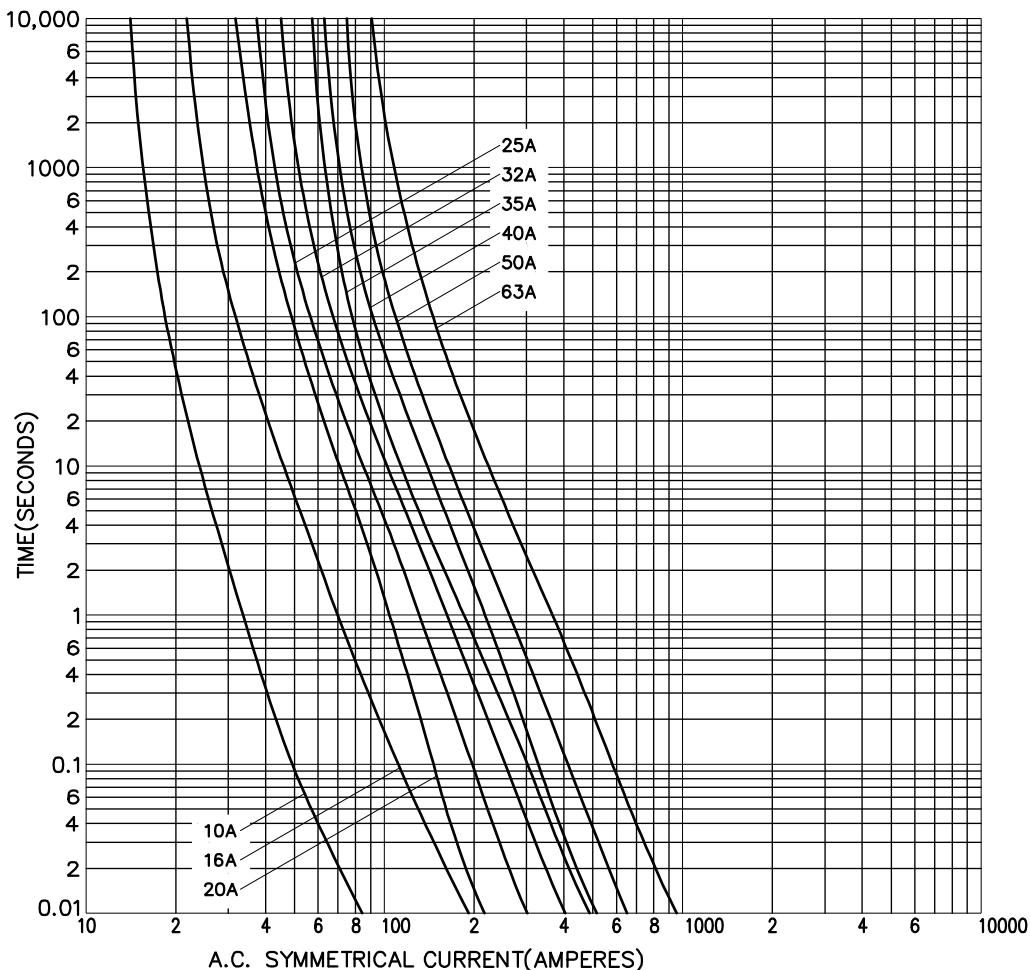


Catalogue numbers	A	B	C	D	E	F	G	H
40-63KS08	111	93	54	25	2.4	12.7	13	7.5

Data sheet: E5785017

Time-current curve

HS and KS - gG Fuse links



I²t (Amps² Seconds)

Catalogue prefix	Amp rating	Pre-arcing	Total at 415 V a.c.	Total at 500 V d.c.	Nom watts loss	
HS07	10	44	130	180	2.8	
HS07	16	250	765	1000	2.8	
HS07	20	330	765	1000	2.5	
HS07	25	650	1500	2000	2.8	
HS07	32	1350	3100	4100	3.5	
KS07	KS08	40	1900	4400	5900	4.0
KS07	KS08	50	3400	7800	10,500	5.0
KS07	KS08	63	7650	17500	23,500	5.4

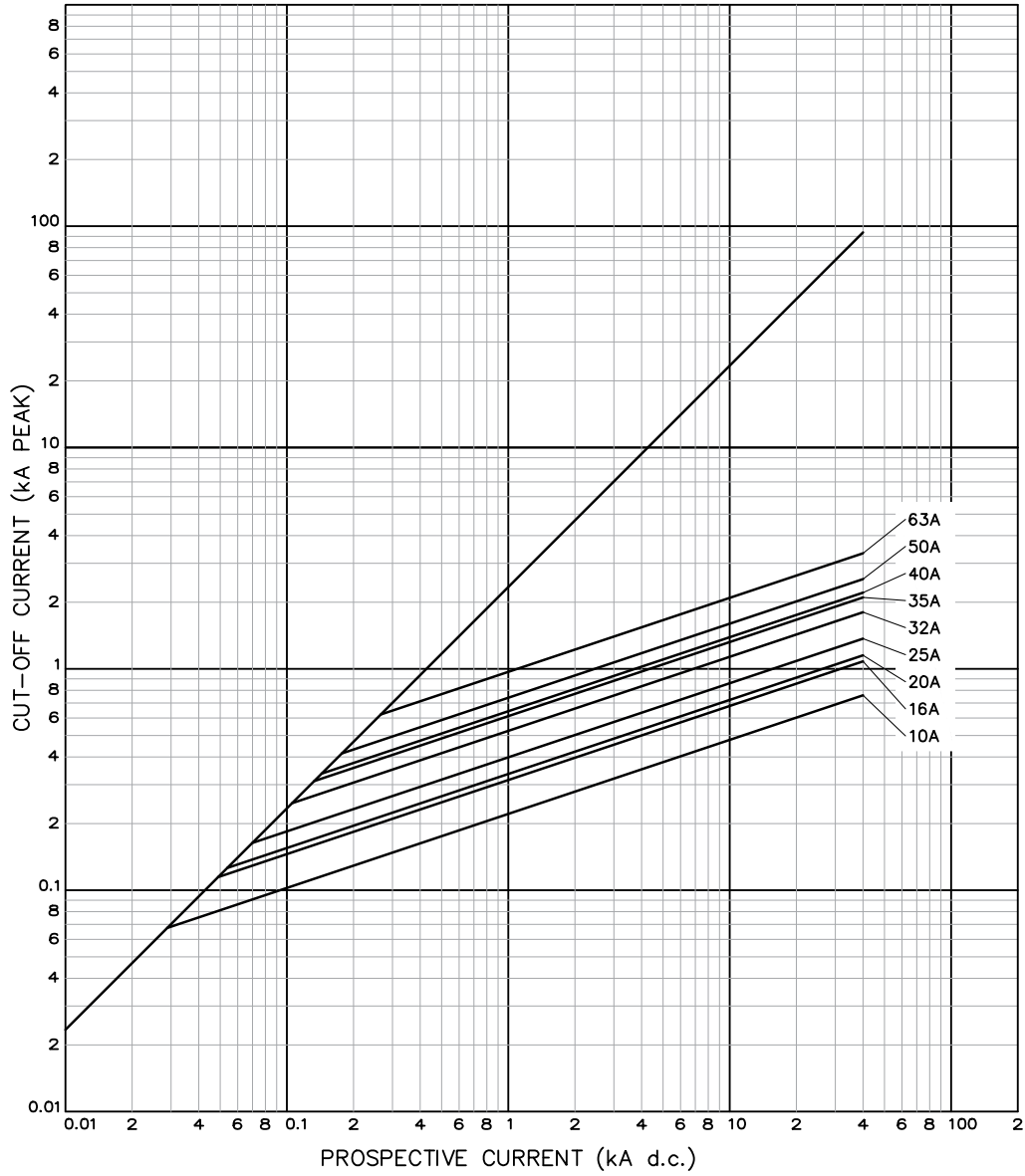
1.1

Industrial and motor applications to BS88 - Standard

Cut-off curve

Cut-off curve

HS and KS - gG Fuse links



500 V d.c., time constant = 20 mS

Offset bolted tags fuse links

Specifications

Description

Fuse links for industrial applications with 690 V a.c. that meets dimensional and performance requirements of BS88 and IEC 60269-1-2 standards for the protection of large industrial installations up to 690 V a.c.

Technical data

Rated voltage: 690 V a.c.
 Rated current: 2 to 32 A
 Breaking capacity: 80 kA at 690 V a.c.

Standard/agency information

Meets BS88 Part 1 and 2, IEC 60269 parts 1 and 2, in accordance with RoHS 2011/65/IEC.

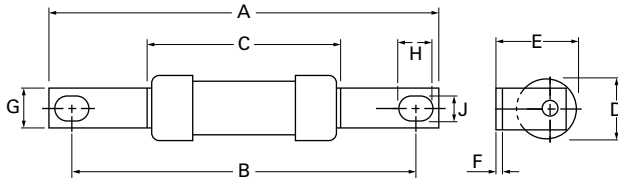
Product selection

H07, class gG, 690 V a.c., 2 to 32 A



Catalogue numbers	Rated voltage	Rated current (Amps)	Breaking capacity	Operating class	Fixing centre (mm)	Pack quantity	Compatible fuse holder
2H07-660	690 V a.c.	2	80 kA at 690 V a.c.	gG	73	20	CM32F Camaster range
4H07-660	690 V a.c.	4	80 kA at 690 V a.c.	gG	73	20	
6H07-660	690 V a.c.	6	80 kA at 690 V a.c.	gG	73	20	
10H07-660	690 V a.c.	10	80 kA at 690 V a.c.	gG	73	20	
16H07-660	690 V a.c.	16	80 kA at 690 V a.c.	gG	73	20	
20H07-660	690 V a.c.	20	80 kA at 690 V a.c.	gG	73	20	
25H07-660	690 V a.c.	25	80 kA at 690 V a.c.	gG	73	20	
32H07-660	690 V a.c.	32	80 kA at 690 V a.c.	gG	73	20	

Dimensions - mm



Catalogue numbers	A	B	C	D	E	F	G	H	J
2-32H07-660	82.3	73	52	22	22.4	11.5	8.7	7.7	5.4

Data sheet: 4150

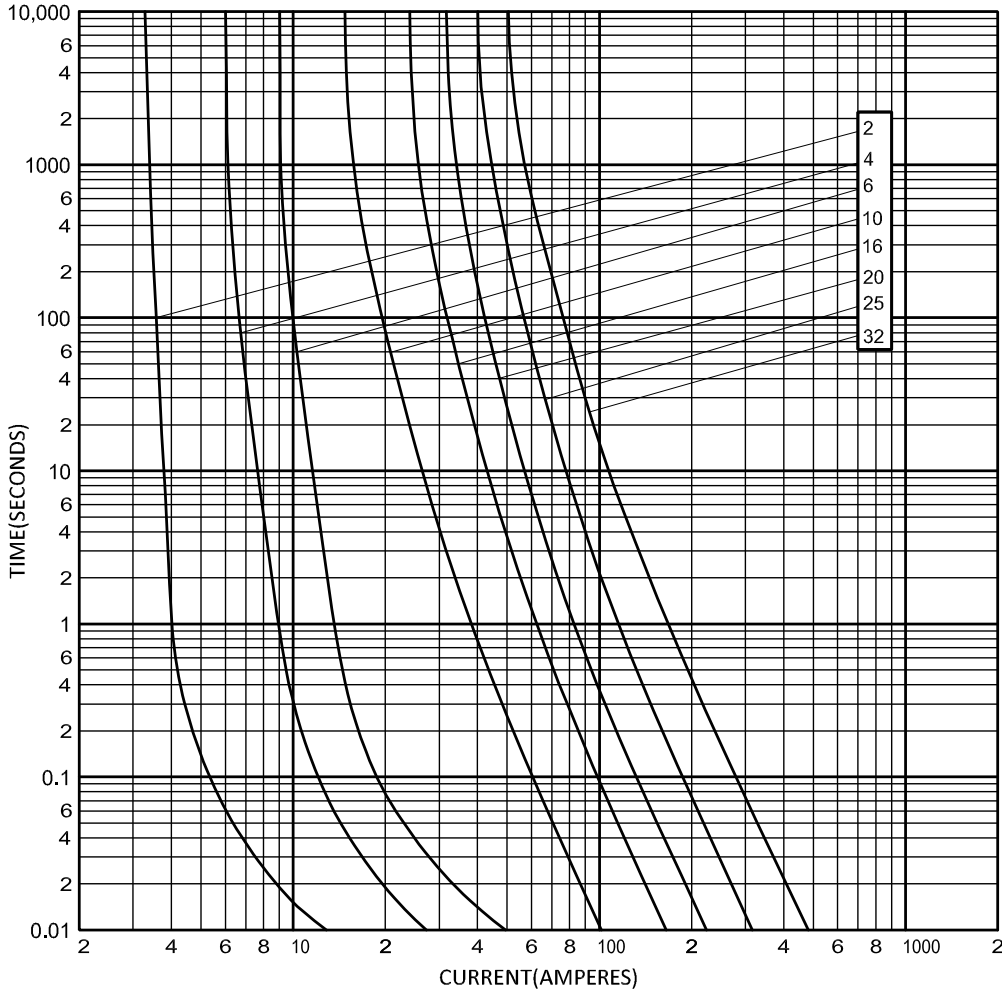
1.1

Industrial and motor applications to BS88 - Standard

Time-current curve

Time-current curve

H07-660 - gG Fuse links



I²t (Amps² Seconds)

Catalogue number	Amp rating	Pre-arcing	Total at 460 V a.c.	Total at 690 V a.c.	Nom watts loss
2H07-660	2	2	7	15	1.9
4H07-660	4	7	16	50	2.2
6H07-660	6	20	22	220	2.5
10H07-660	10	3	42	200	3
16H07-660	16	59	370	1170	2.8
20H07-660	20	300	750	2680	2.7
25H07-660	25	500	930	3600	3.1
32H07-660	32	1080	2000	7800	4.2

Special tags fuse links

Specifications

Description

Fuse links for industrial applications with 690 V a.c. that meets dimensional and performance requirements of BS88 and IEC 60269-1-2 standards for large industrial installations up to 690 V a.c.

Technical data

Rated voltage: 690 V a.c. / 400 V d.c.
 Rated current: 125 to 800 A
 Breaking capacity: 80 kA

Standard/agency information

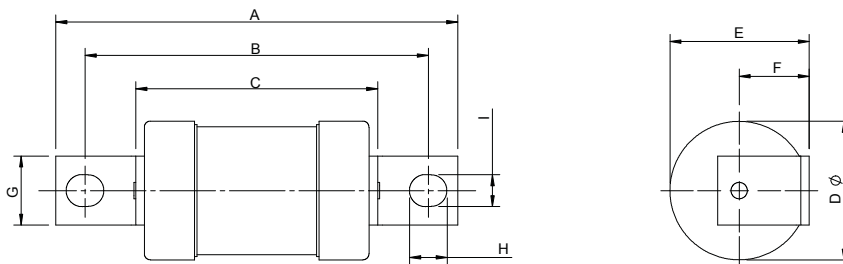
Meets BS88 Part 1 and 2, IEC 60269 parts 1 and 2, in accordance with RoHS 2011/65/IEC.

Product selection

M13, class gG, 690 V a.c. and 400 V d.c., 125 to 200 A, offset bolted tags

Catalogue numbers	Rated voltage	Rated current (Amps)	Breaking capacity	Operating class	Fixing centre (mm)	Pack quantity
125M13	690 V a.c. / 400 V d.c.	125	80 kA at 690 V a.c.	gG	99	5
160M13	690 V a.c. / 400 V d.c.	160	80 kA at 690 V a.c.	gG	99	5
200M13	690 V a.c. / 400 V d.c.	200	80 kA at 690 V a.c.	gG	99	5

Dimensions - mm



Catalogue numbers	A	B	C	D	E	F	G	H	I
125-200M13	120	99.5	69.5	38	27	8.2	25.4	12	8.7

Data sheet: 4163

N15, class gG, 690 V a.c. and 400 V d.c., 250 and 315 A, offset bolted tags

Catalogue numbers	Rated voltage	Rated current (Amps)	Breaking capacity	Operating class	Fixing centre (mm)	Pack quantity
250N15	690 V a.c. / 400 V d.c.	250	80 kA at 690 V a.c.	gG	100	1
315N15	690 V a.c. / 400 V d.c.	315	80 kA at 690 V a.c.	gG	100	1

Data sheet: 4164

1.1

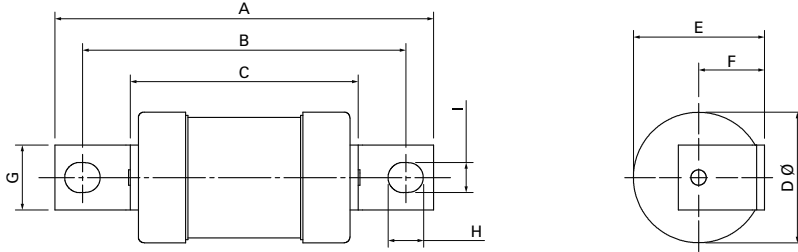
Industrial and motor applications to BS88 - Standard

Special tags fuse links

Special tags fuse links

N15, class gG, 690 V a.c. and 400 V d.c., 250 and 315 A, offset bolted tags

Dimensions - mm



Catalogue numbers	A	B	C	D	E	F	G	H	I
250-315N15	120	100	79	49	41	16.4	25.4	15	9.5

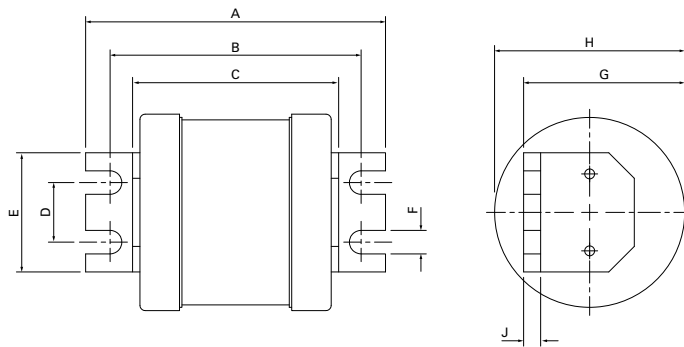
Data sheet: 4164

N20, class gG, 690 V a.c. and 400 V d.c., 120 to 315 A, special offset tags



Catalogue numbers	Rated voltage	Rated current (Amps)	Breaking capacity	Operating class	Fixing centre (mm)	Pack quantity
125N20	690 V a.c. / 400 V d.c.	125	80 kA at 690 V a.c.	gG	92.5	1
160N20	690 V a.c. / 400 V d.c.	160	80 kA at 690 V a.c.	gG	92.5	1
200N20	690 V a.c. / 400 V d.c.	200	80 kA at 690 V a.c.	gG	92.5	1
250N20	690 V a.c. / 400 V d.c.	250	80 kA at 690 V a.c.	gG	92.5	1
315N20	690 V a.c. / 400 V d.c.	315	80 kA at 690 V a.c.	gG	92.5	1

Dimensions - mm



Catalogue numbers	A	B	C	D	E	F	G	H	J
125-315N20	110	92.5	75	22	44.5	8.8	49	49	6.4

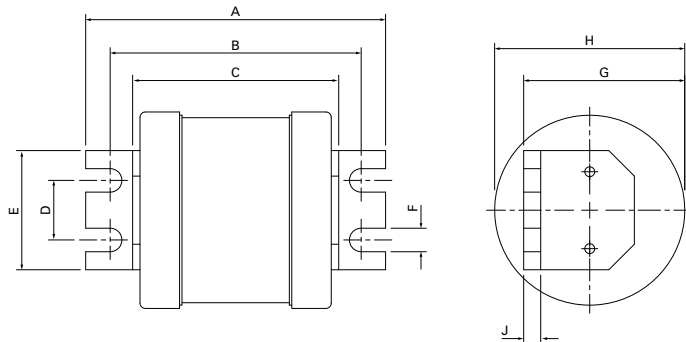
Data sheet: 4166

Special tags fuse links

P20, class gG, 690 V a.c. and 400 V d.c., 355 and 400 A, special offset tags

Catalogue numbers	Rated voltage	Rated current (Amps)	Breaking capacity	Operating class	Fixing centre (mm)	Pack quantity
355P20	690 V a.c. / 400 V d.c.	355	80 kA at 690 V a.c.	gG	92.5	1
400P20	690 V a.c. / 400 V d.c.	400	80 kA at 690 V a.c.	gG	92.5	1

Dimensions - mm



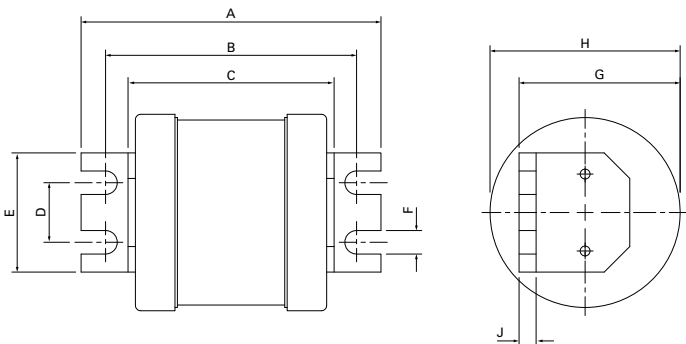
Catalogue numbers	A	B	C	D	E	F	G	H	J
355-400P20	111	92.5	76	22	44.5	8.8	47	59	6.4

Data sheet: 4167

R20, class gG, 690 V a.c. and 400 V d.c., 450 to 630 A, special offset tags

Catalogue numbers	Rated voltage	Rated current (Amps)	Breaking capacity	Operating class	Fixing centre (mm)	Pack quantity
450R20	690 V a.c. / 400 V d.c.	450	80 kA at 690 V a.c.	gG	94	1
500R20	690 V a.c. / 400 V d.c.	500	80 kA at 690 V a.c.	gG	94	1
560R20	690 V a.c. / 400 V d.c.	560	80 kA at 690 V a.c.	gG	94	1
630R20	690 V a.c. / 400 V d.c.	630	80 kA at 690 V a.c.	gG	94	1

Dimensions - mm



Catalogue numbers	A	B	C	D	E	F	G	H	J
450-630R20	112	94	77	22	44.5	8.8	62	74	6.4

Data sheet: 4168

1.1

Industrial and motor applications to BS88 - Standard

Special tags fuse links

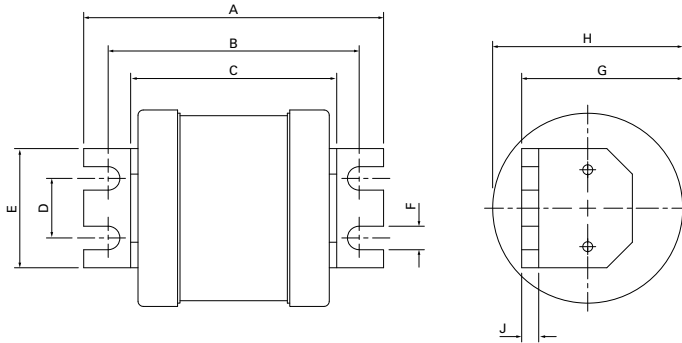
Special tags fuse links

S20, class gG, 550 V a.c. and 250 V d.c., 710 and 800 A, special offset tags



Catalogue numbers	Rated voltage	Rated current (Amps)	Breaking capacity	Operating class	Fixing centre (mm)	Pack quantity
710S20	550 V a.c. / 250 V d.c.	710	80 kA at 550 V a.c.	gG	94	1
800S20	550 V a.c. / 250 V d.c.	800	80 kA at 550 V a.c.	gG	94	1

Dimensions - mm



Catalogue numbers	A	B	C	D	E	F	G	H	J
710-800S20	112	94	77	22	44.5	8.8	66	83	6.4

Data sheet: E5785045

Offset bolted tags fuse links

Specifications

Description

A range of BS fuse links in sizes A1 to A4 specifically designed for the protection of general industrial applications e.g. power distribution, cable protection, motor protection.

Technical data

Rated voltage:

- Size A1: 550 V a.c. / 250 V d.c.
- Size A2 to A4: 660-690 V a.c. / up to 460 V d.c. see tables for details

Rated current: 2 to 200 A

Breaking capacity: 80 kA up to 690 V a.c., see tables for details

Standard/agency information

BS88-1 and 2, IEC 60269-2

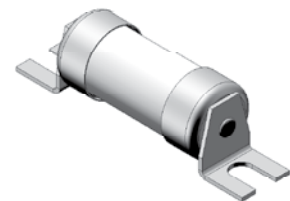
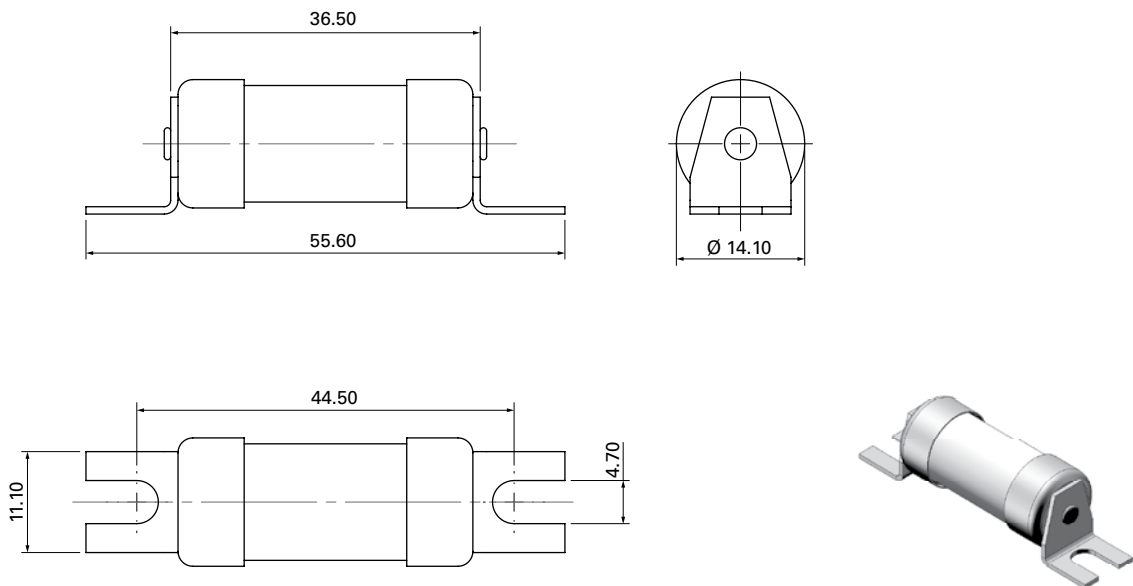
Product selection

NIT, class gG, 550 V a.c. and 250 V d.c., 2 to 20 A



Catalogue numbers	Rated voltage	Rated current (Amps)	Breaking capacity	Operating class	BS reference	Fixing centre (mm)	Pack quantity	Compatible fuse holders
NIT2	550 V a.c. / 250 V d.c.	2	80 kA at 550 V a.c.	gG	A1	44	20	CM32FC Camaster ange
NIT4	550 V a.c. / 250 V d.c.	4	80 kA at 550 V a.c.	gG	A1	44	20	RS20 Red Spot range
NIT6	550 V a.c. / 250 V d.c.	6	80 kA at 550 V a.c.	gG	A1	44	20	
NIT10	550 V a.c. / 250 V d.c.	10	80 kA at 550 V a.c.	gG	A1	44	20	
NIT16	550 V a.c. / 250 V d.c.	16	80 kA at 550 V a.c.	gG	A1	44	20	
NIT20	550 V a.c. / 250 V d.c.	20	80 kA at 550 V a.c.	gG	A1	44	20	

Dimensions - mm



Data sheet: 10020

1.2

Industrial and motor applications to BS88 - Red spot

Offset bolted tags fuse links

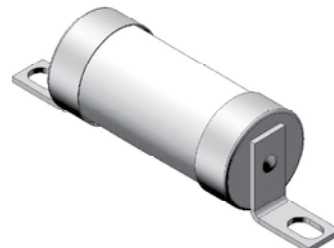
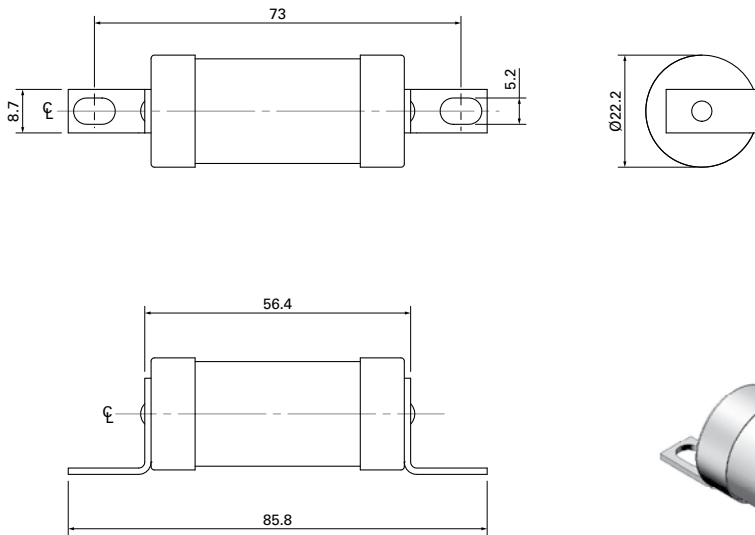
Offset bolted tags fuse links

TIA, class gG, 660-690 V a.c. and 460 V d.c., 2 to 32 A - class gM, 660-690 V a.c. and 460 V d.c., 32 A



Catalogue numbers	Rated voltage	Rated current (Amps)	Breaking capacity	Operating class	BS reference	Fixing centre (mm)	Pack quantity	Compatible fuse holders
TIA2	660-690 V a.c. / 460 V d.c.	2	80 kA at 690 V a.c.	gG	A2	73	20	CM32F range
TIA4	660-690 V a.c. / 460 V d.c.	4	80 kA at 690 V a.c.	gG	A2	73	20	RS32 range
TIA6	660-690 V a.c. / 460 V d.c.	6	80 kA at 690 V a.c.	gG	A2	73	20	
TIA10	660-690 V a.c. / 460 V d.c.	10	80 kA at 690 V a.c.	gG	A2	73	20	
TIA16	660-690 V a.c. / 460 V d.c.	16	80 kA at 690 V a.c.	gG	A2	73	20	
TIA20	660-690 V a.c. / 460 V d.c.	20	80 kA at 690 V a.c.	gG	A2	73	20	
TIA25	660-690 V a.c. / 460 V d.c.	25	80 kA at 690 V a.c.	gG	A2	73	20	
TIA32	660-690 V a.c. / 460 V d.c.	32	80 kA at 690 V a.c.	gG	A2	73	20	
TIA32M35	660-690 V a.c. / 460 V d.c.	32M35	80 kA at 690 V a.c.	gM	A2	73	20	
TIA32M40	660-690 V a.c. / 460 V d.c.	32M40	80 kA at 690 V a.c.	gM	A2	73	20	
TIA32M50	660-690 V a.c. / 460 V d.c.	32M50	80 kA at 690 V a.c.	gM	A2	73	20	
TIA32M63	660-690 V a.c. / 460 V d.c.	32M63	80 kA at 690 V a.c.	gM	A2	73	20	

Dimensions - mm



Data sheet: 10020



TIS, class gG, 660-690 V a.c. and 460 V d.c., 35 to 63 A - class gM, 660-690 V a.c. and 460 V d.c., 63 A

Catalogue numbers	Rated voltage	Rated current (Amps)	Breaking capacity	Operating class	BS reference	Fixing centre (mm)	Pack quantity	Compatible fuse holder
TIS35	660-690 V a.c. / 460 V d.c.	35	80 kA at 690 V a.c.	gG	A3	73	20	RS63 range
TIS40	660-690 V a.c. / 460 V d.c.	40	80 kA at 690 V a.c.	gG	A3	73	20	
TIS50	660-690 V a.c. / 460 V d.c.	50	80 kA at 690 V a.c.	gG	A3	73	20	
TIS63	660-690 V a.c. / 460 V d.c.	63	80 kA at 690 V a.c.	gG	A3	73	20	
TIS63M80	660-690 V a.c. / 460 V d.c.	63M80	80 kA at 690 V a.c.	gM	A3	73	20	
TIS63M100	660-690 V a.c. / 460 V d.c.	63M100	80 kA at 690 V a.c.	gM	A3	73	20	

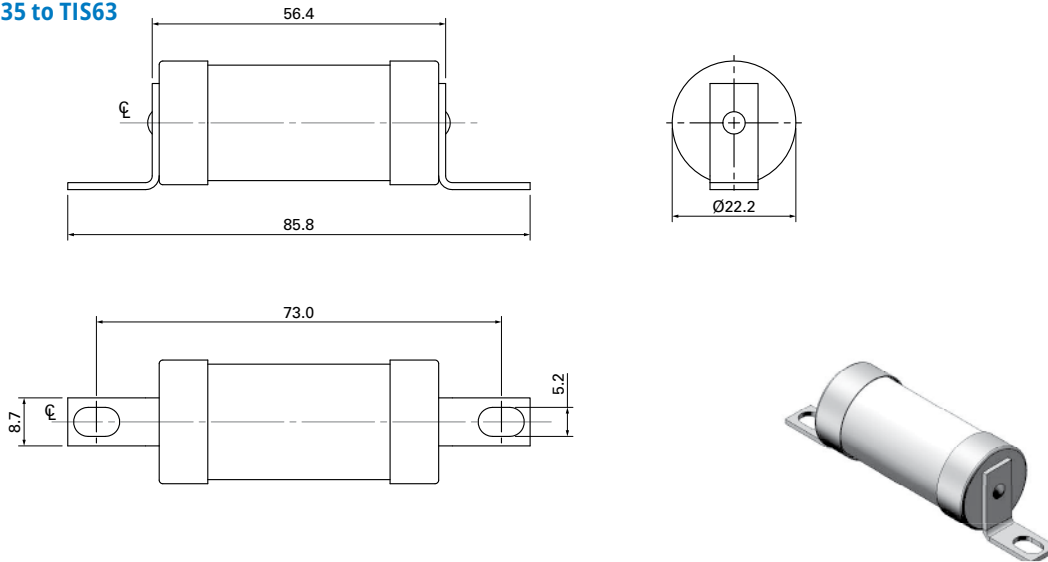
Data sheet: 10020

Offset bolted tags fuse links

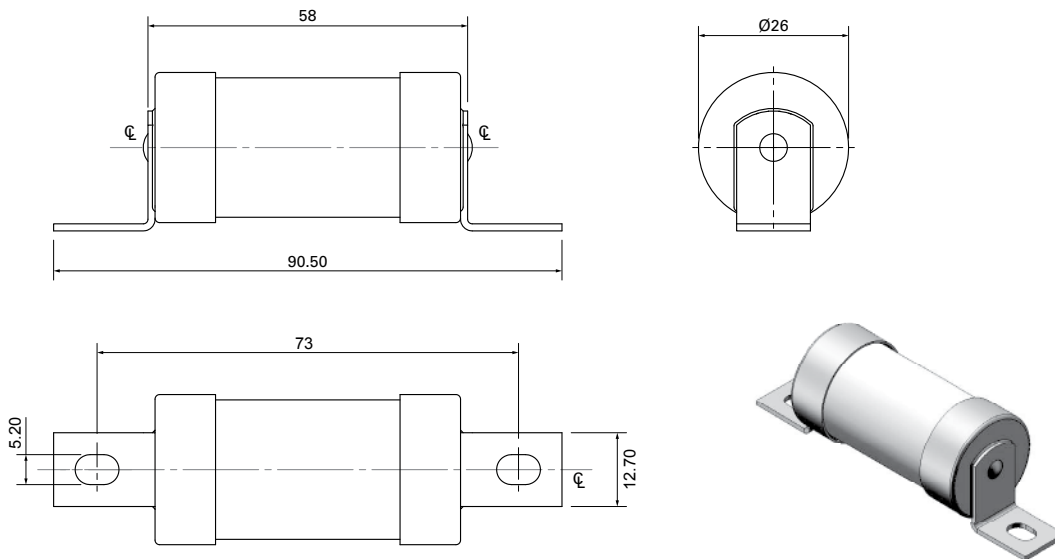
TIS, class gG, 660-690 V a.c. and 460 V d.c., 35 to 63 A - class gM, 660-690 V a.c. and 460 V d.c., 63 A

Dimensions - mm

TIS35 to TIS63



TIS63M80 and TIS63M100



Data sheet: 10020

1.2

Industrial and motor applications to BS88 - Red spot

Offset bolted tags fuse links

Offset bolted tags fuse links

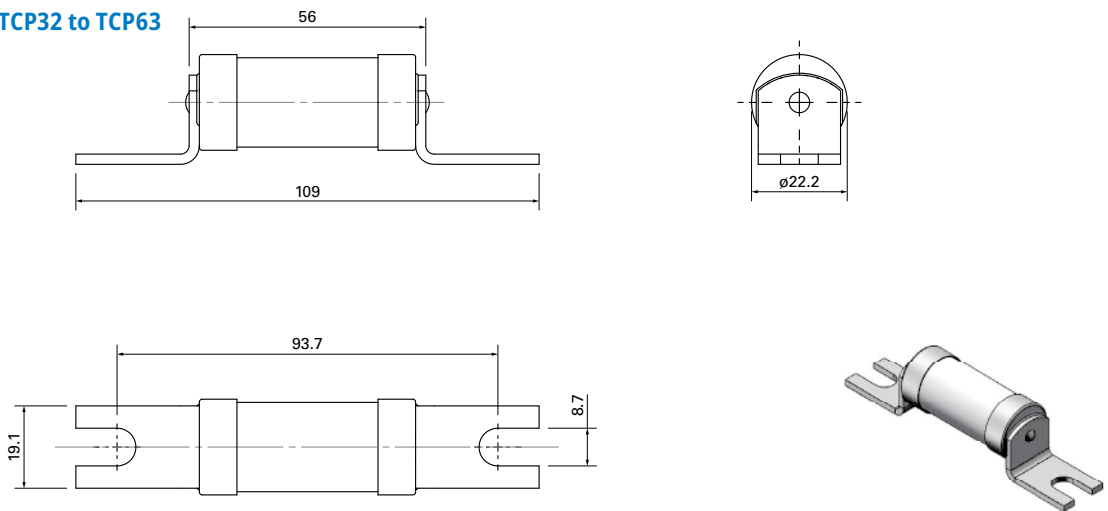
TCP, class gG, 660-690 V a.c. and 460 V d.c., 32 to 100 A - class gM, 660-690 V a.c. and 350 V d.c., 100 A



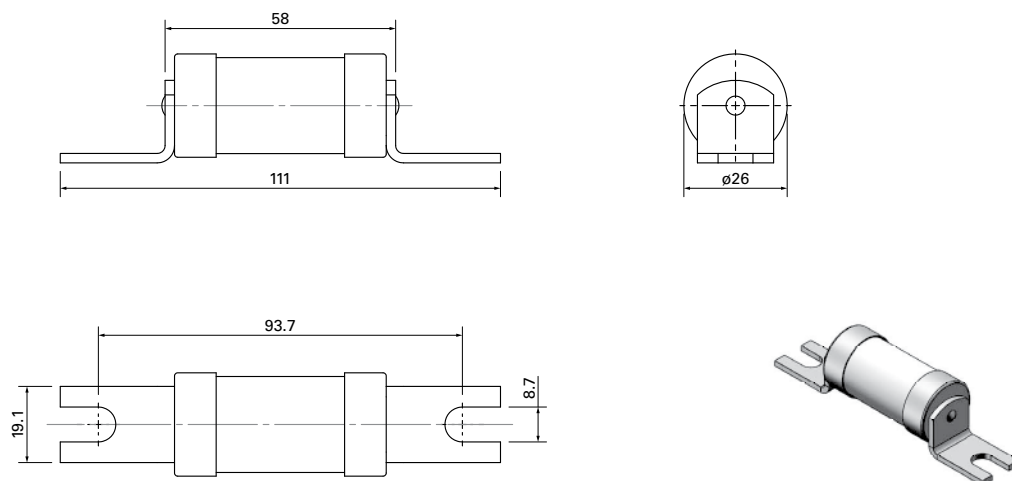
Catalogue numbers	Rated voltage	Rated current (Amps)	Breaking capacity	Operating class	BS reference	Fixing centre (mm)	Pack quantity	Compatible fuse holder
TCP32	660-690 V a.c. / 460 V d.c.	32	80 kA at 690 V a.c.	gG	A4	94	20	RS100 range
TCP40	660-690 V a.c. / 460 V d.c.	40	80 kA at 690 V a.c.	gG	A4	94	20	
TCP50	660-690 V a.c. / 460 V d.c.	50	80 kA at 690 V a.c.	gG	A4	94	20	
TCP63	660-690 V a.c. / 460 V d.c.	63	80 kA at 690 V a.c.	gG	A4	94	20	
TCP80	660-690 V a.c. / 350 V d.c.	80	80 kA at 690 V a.c.	gG	A4	94	20	
TCP100	660-690 V a.c. / 350 V d.c.	100	80 kA at 690 V a.c.	gG	A4	94	20	
TCP100M125	660-690 V a.c. / 350 V d.c.	100M125	80 kA at 690 V a.c.	gM	A4	94	20	
TCP100M160	660-690 V a.c. / 350 V d.c.	100M160	80 kA at 690 V a.c.	gM	A4	94	20	
TCP100M200	660-690 V a.c. / 350 V d.c.	100M200	80 kA at 690 V a.c.	gM	A4	94	20	

Dimensions - mm

TCP32 to TCP63



TCP80 and TCP100



TCP80 and TCP100

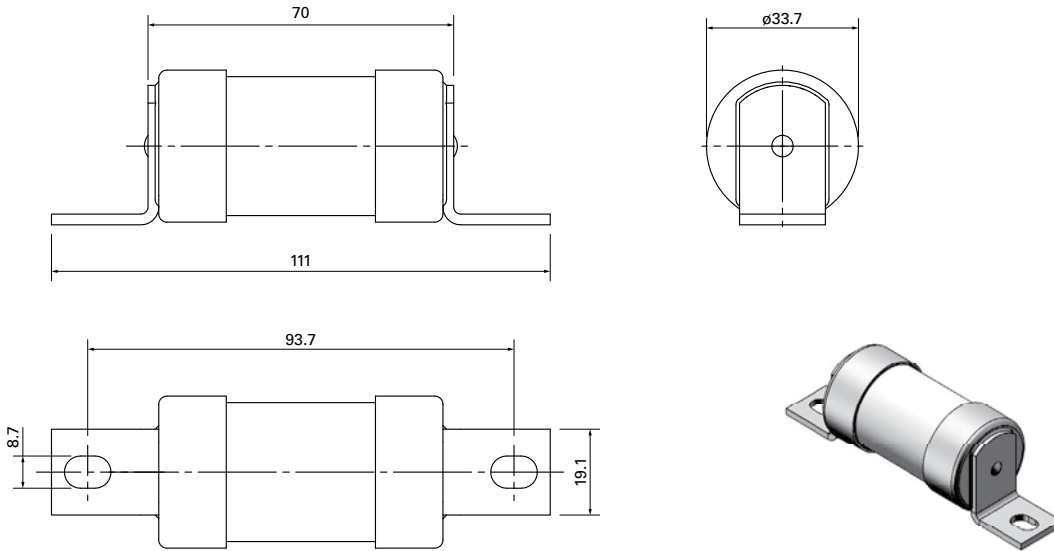
Data sheet: 10020

Offset bolted tags fuse links

TCP, class gG, 660-690 V a.c. and 350-460 V d.c., 32 to 100 A - class gM, 660-690 V a.c. and 350 V d.c., 100 A

Dimensions - mm

TCP100M125 to TCP100M200

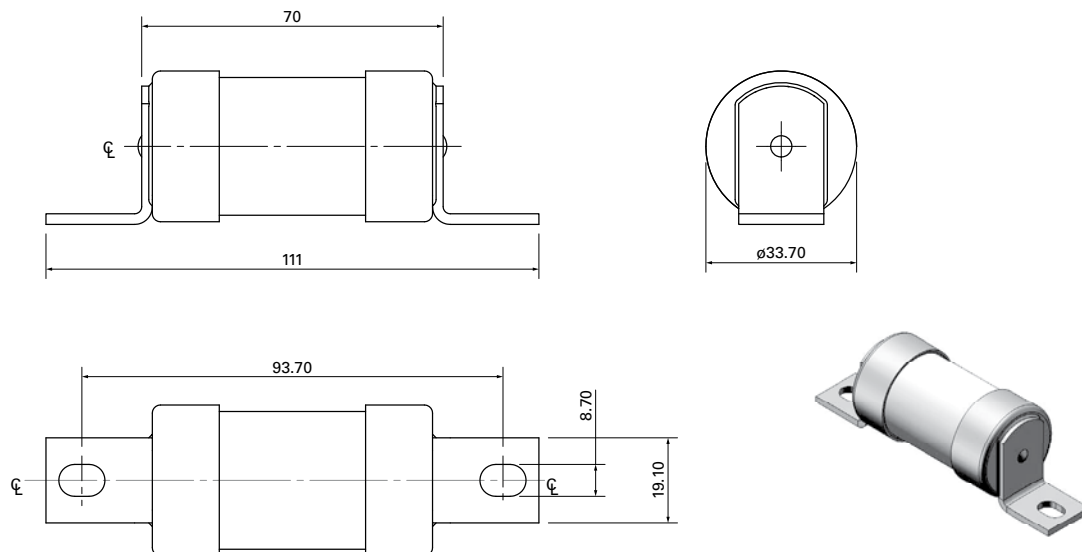


TFP, class gG, 660-690 V a.c. and 350 V d.c., 125 to 200 A - class gM, 660-690 V a.c. and 350 V d.c., 200 A

Catalogue numbers	Rated voltage	Rated current (Amps)	Breaking capacity	Operating class	Fixing centre (mm)	Pack quantity
TFP125	660-690 V a.c. / 350 V d.c.	125	80 kA at 690 V a.c.	gG	94	10
TFP160	660-690 V a.c. / 350 V d.c.	160	80 kA at 690 V a.c.	gG	94	10
TFP200	660-690 V a.c. / 350 V d.c.	200	80 kA at 690 V a.c.	gG	94	10
TFP200M250	660-690 V a.c. / 350 V d.c.	200M250	80 kA at 690 V a.c.	gM	94	1

Dimensions - mm

TFP125 to TFP200



Data sheet: 10020

1.2

Industrial and motor applications to BS88 - Red spot

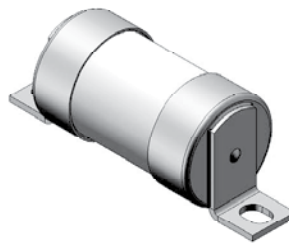
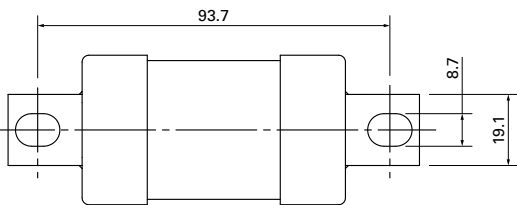
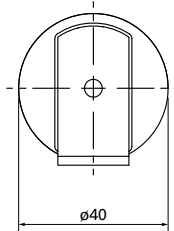
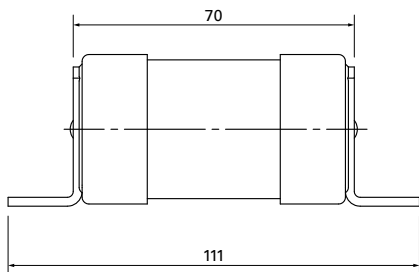
Offset bolted tags fuse links

Offset bolted tags fuse links

TFP, class gG, 660-690 V a.c. and 350 V d.c., 125 to 200 A - class gM, 660-690 V a.c. and 350 V d.c., 200 A

Dimensions - mm

TFP200M250



Data sheet: 10020

Centre bolted tags fuse links

Specifications

Description

A range of centre tagged BS fuse links in sizes B1 to B4, C1 to C3 and D1 specifically designed for the protection of general industrial applications, e.g. power distribution, cable protection, motor protection.

Technical data

Rated voltage:

- gG: up to 690 V a.c. / 460 V d.c., see tables for details
- gM: up to 690 V a.c. / 550 V d.c., see tables for details

Rated current: 2 to 1250 A

Breaking capacity: 80 kA up to 690 V a.c., see tables for details

Standard/agency information

BS88-2 and IEC 60269-2

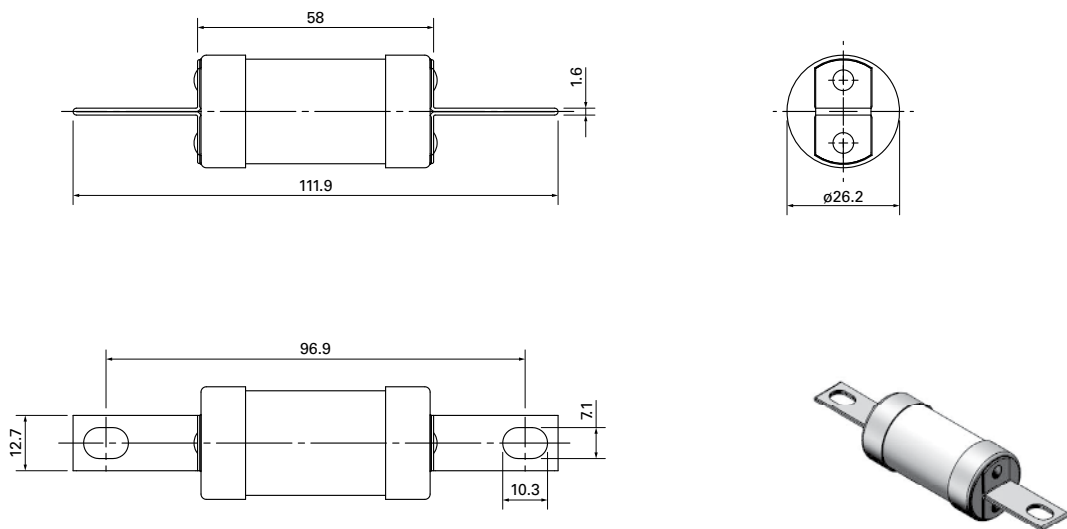
Product selection

TB, class gG, 660 V a.c. and 460 V d.c., 4 to 63 A

Catalogue numbers	Rated voltage	Rated current (Amps)	Breaking capacity	Operating class	Fixing centre (mm)	Pack quantity
TB4	660 V a.c. / 460 V d.c.	4	80 kA at 660 V a.c.	gG	97	20
TB6	660 V a.c. / 460 V d.c.	6	80 kA at 660 V a.c.	gG	97	20
TB10	660 V a.c. / 460 V d.c.	10	80 kA at 660 V a.c.	gG	97	20
TB16	660 V a.c. / 460 V d.c.	16	80 kA at 660 V a.c.	gG	97	20
TB20	660 V a.c. / 460 V d.c.	20	80 kA at 660 V a.c.	gG	97	20
TB25	660 V a.c. / 460 V d.c.	25	80 kA at 660 V a.c.	gG	97	20
TB32	660 V a.c. / 460 V d.c.	32	80 kA at 660 V a.c.	gG	97	20
TB40	660 V a.c. / 460 V d.c.	40	80 kA at 660 V a.c.	gG	97	20
TB50	660 V a.c. / 460 V d.c.	50	80 kA at 660 V a.c.	gG	97	20
TB63	660 V a.c. / 460 V d.c.	63	80 kA at 660 V a.c.	gG	97	20



Dimensions - mm



Data sheet: 10078

1.2

Industrial and motor applications to BS88 - Red spot

Centre bolted tags fuse links

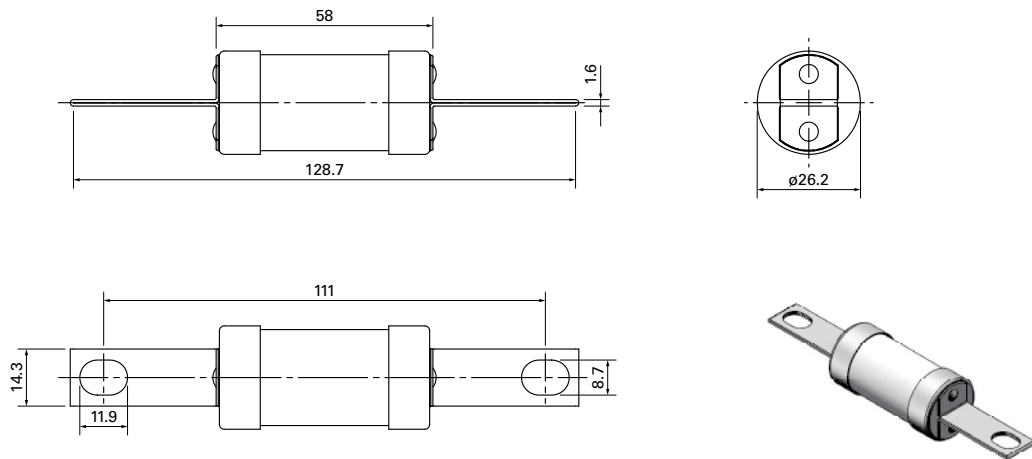
Centre bolted tags fuse links



TBC, class gG, 660 V a.c. and 460 V d.c., 2 to 63 A

Catalogue numbers	Rated voltage	Rated current (Amps)	Breaking capacity	Operating class	Fixing centre (mm)	Pack quantity	Compatible fuse holder
TBC2	660 V a.c. / 460 V d.c.	2	80 kA at 660 V a.c.	gG	111	20	RS200 Red Spot range
TBC4	660 V a.c. / 460 V d.c.	4	80 kA at 660 V a.c.	gG	111	20	
TBC6	660 V a.c. / 460 V d.c.	6	80 kA at 660 V a.c.	gG	111	20	
TBC10	660 V a.c. / 460 V d.c.	10	80 kA at 660 V a.c.	gG	111	20	
TBC16	660 V a.c. / 460 V d.c.	16	80 kA at 660 V a.c.	gG	111	20	
TBC20	660 V a.c. / 460 V d.c.	20	80 kA at 660 V a.c.	gG	111	20	
TBC25	660 V a.c. / 460 V d.c.	25	80 kA at 660 V a.c.	gG	111	20	
TBC32	660 V a.c. / 460 V d.c.	32	80 kA at 660 V a.c.	gG	111	20	
TBC40	660 V a.c. / 460 V d.c.	40	80 kA at 660 V a.c.	gG	111	20	
TBC50	660 V a.c. / 460 V d.c.	50	80 kA at 660 V a.c.	gG	111	20	
TBC63	660 V a.c. / 460 V d.c.	63	80 kA at 660 V a.c.	gG	111	20	

Dimensions - mm



Data sheet: 10078

TC, class gG, 660-690 V a.c. and 350 V d.c., 80 and 100 A - class gM, 660-690 V a.c. and 350 V d.c., 100 A



Catalogue numbers	Rated voltage	Rated current (Amps)	Breaking capacity	Operating class	BS reference	Fixing centre (mm)	Pack quantity	Compatible fuse holder
TC80	660-690 V a.c. / 350 V d.c.	80	80 kA at 690 V a.c.	gG	B1	111	10	RS200 Red Spot range
TC100	660-690 V a.c. / 350 V d.c.	100	80 kA at 690 V a.c.	gG	B1	111	10	
TC100M125	660-690 V a.c. / 350 V d.c.	100M125	80 kA at 690 V a.c.	gM	B1	111	10	
TC100M160	660-690 V a.c. / 350 V d.c.	100M160	80 kA at 690 V a.c.	gM	B1	111	10	
TC100M200	660-690 V a.c. / 350 V d.c.	100M200	80 kA at 690 V a.c.	gM	B1	111	10	

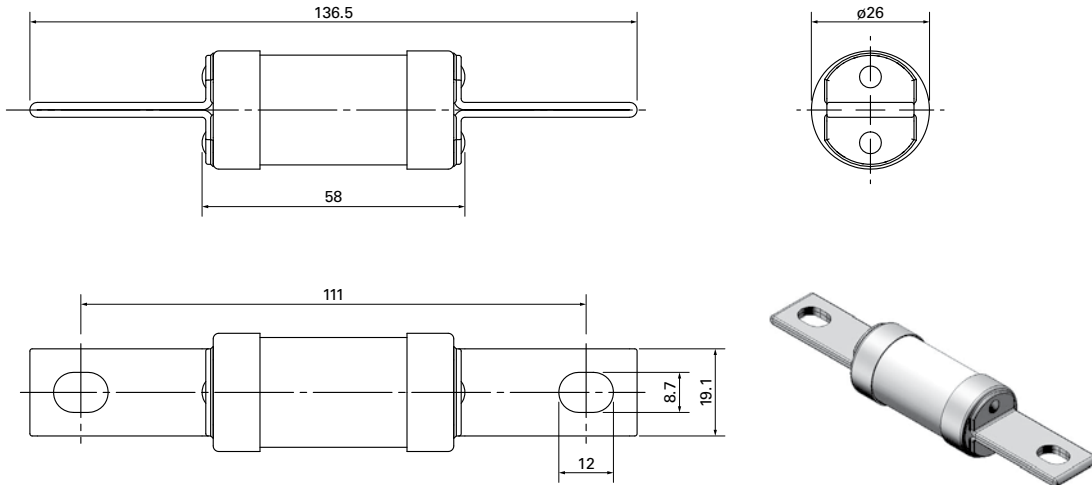
Data sheet: 10078

Centre bolted tags fuse links

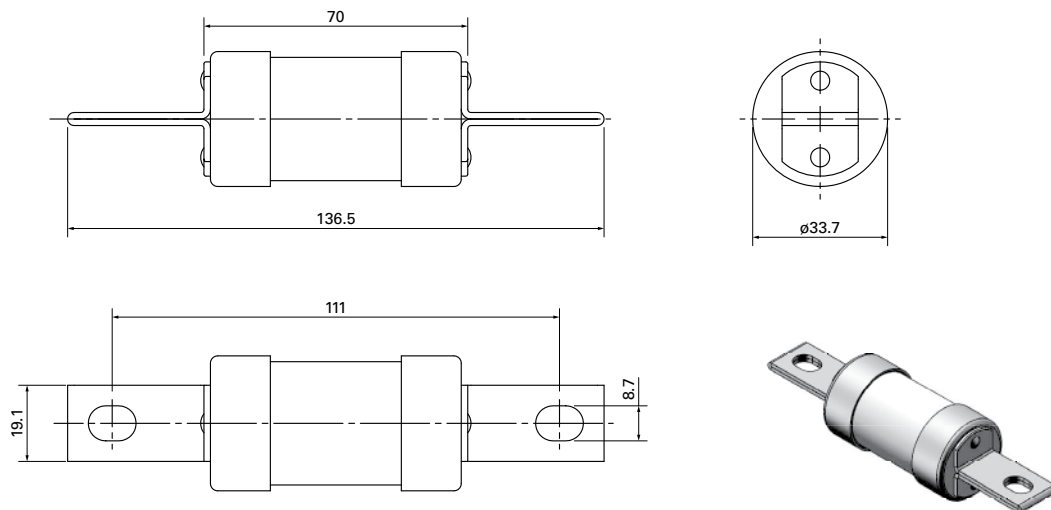
TC, class gG, 660-690 V a.c. and 350 V d.c., 80 and 100 A - class gM, 660-690 V a.c. and 350 V d.c., 100 A

Dimensions - mm

TC80 and TC100



TC100M125 to TC100M200



Data sheet: 10078

1.2

Industrial and motor applications to BS88 - Red spot

Centre bolted tags fuse links

Centre bolted tags fuse links

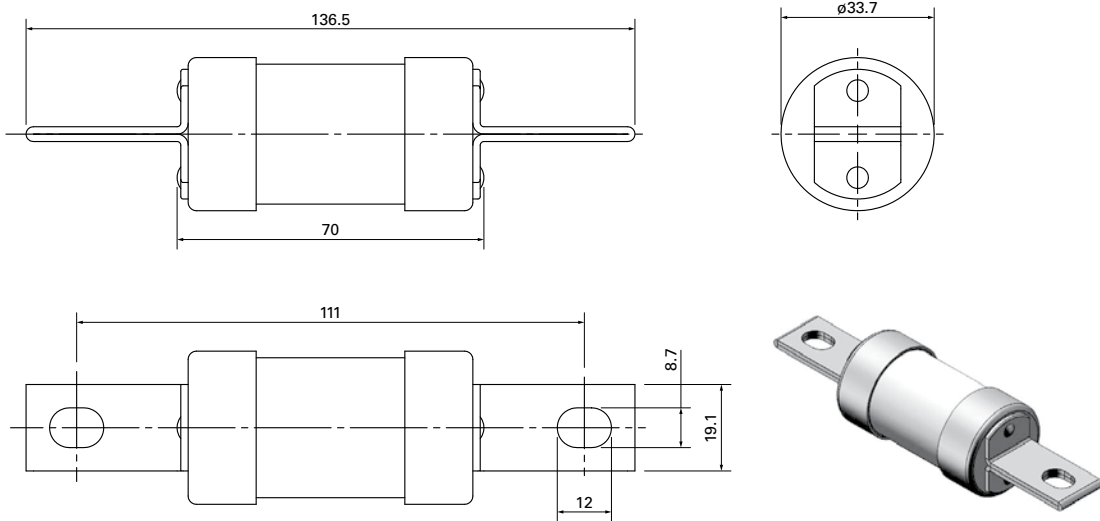
TF, class gG, 660-690 V a.c and 350 V d.c., 125 to 200 A - class gM, 500-660-690 V a.c and 460 V d.c., 200 A



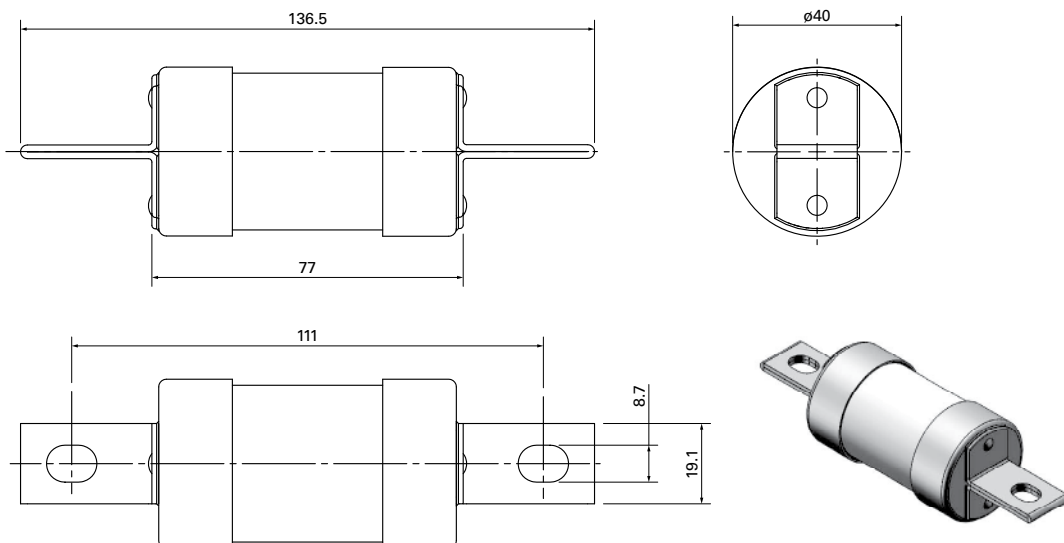
Catalogue numbers	Rated voltage	Rated current (Amps)	Breaking capacity	Operating class	BS reference	Fixing centre (mm)	Pack quantity	Compatible fuse holder
TF125	660-690 V a.c., 350 V d.c.	125	80 kA at 690 V a.c.	gG	B2	111	10	RS200 range
TF160	660-690 V a.c., 350 V d.c.	160	80 kA at 690 V a.c.	gG	B2	111	10	
TF200	660-690 V a.c., 350 V d.c.	200	80 kA at 690 V a.c.	gG	B2	111	10	
TF200M250	660-690 V a.c., 460 V d.c.	200M250	80 kA at 690 V a.c.	gM	B2	111	10	
TF200M315	550 V a.c.	200M315	80 kA at 550 V a.c.	gM	B2	111	10	

Dimensions - mm

TF125 to TF200



TF200M250 and TF200M315



Data sheet: 10078

Centre bolted tags fuse links

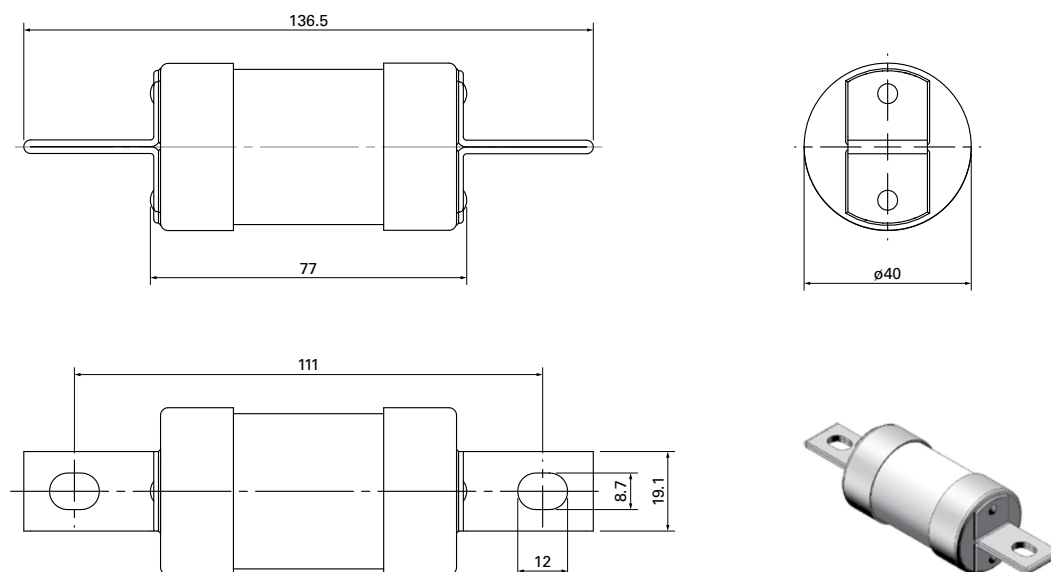
TKF, class gG, 660-690 V a.c and 460 V d.c., 250 and 315 A - class gM, 660-690 V a.c and 460 V d.c., 315 A

Catalogue numbers	Rated voltage	Rated current (Amps)	Breaking capacity	Operating class	BS reference	Fixing centre (mm)	Pack quantity
TKF250	660-690 V a.c. / 460 V d.c.	250	80 kA at 690 V a.c.	gG	B3	111	5
TKF315	660-690 V a.c. / 460 V d.c.	315	80 kA at 690 V a.c.	gG	B3	111	5
TKF315M355	660-690 V a.c. / 460 V d.c.	315M355	80 kA at 690 V a.c.	gM	B3	111	5

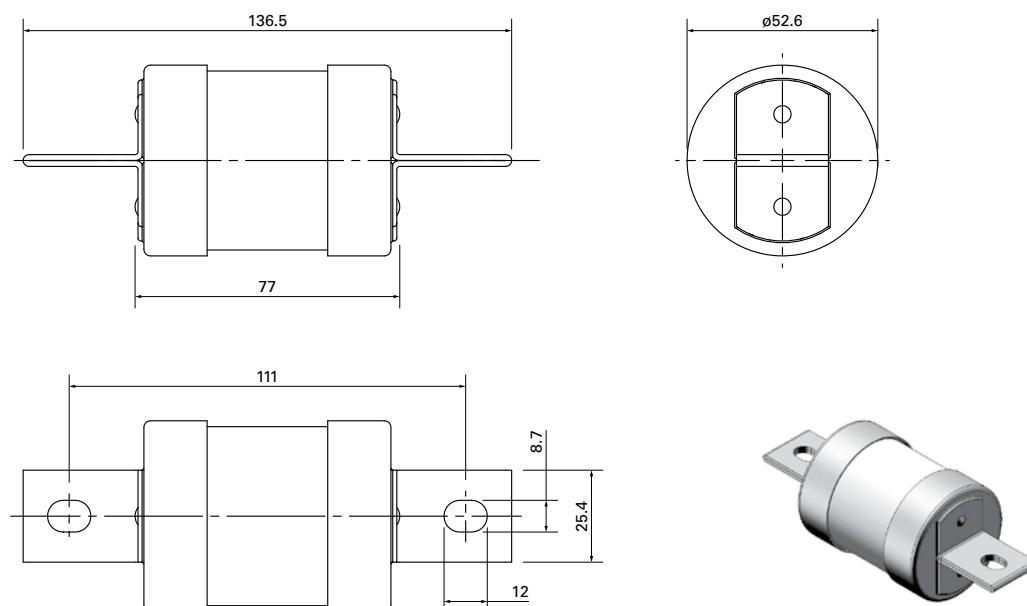


Dimensions - mm

TKF250



TKF315 and TKF315M355



Data sheet: 10078

1.2

Industrial and motor applications to BS88 - Red spot

Centre bolted tags fuse links

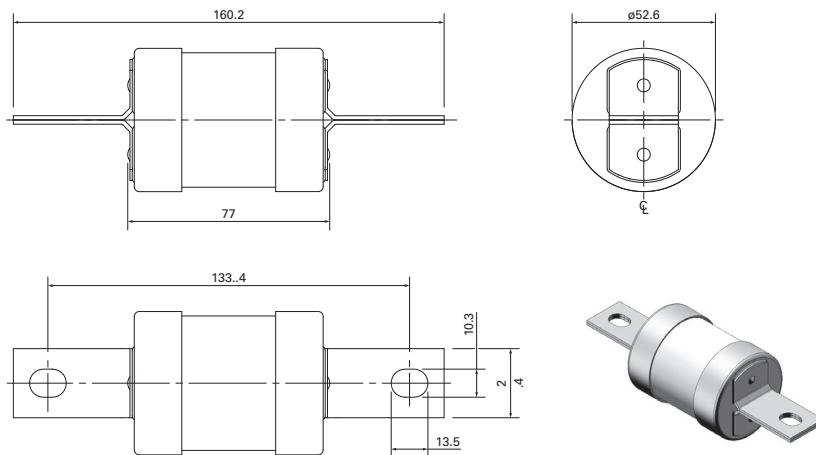
Centre bolted tags fuse links

TKM, class gG, 660-690 V a.c and 460 V d.c., 250 and 315 A - class gM, 660-690 V a.c and 460 V d.c., 315 A



Catalogue numbers	Rated voltage	Rated current (Amps)	Breaking capacity	Operating class	Fixing centre (mm)	Pack quantity	Compatible fuse holder
TKM250	660-690 V a.c. / 460 V d.c.	250	80 kA at 690 V a.c.	gG	133	1	RS400 range
TKM315	660-690 V a.c. / 460 V d.c.	315	80 kA at 690 V a.c.	gG	133	1	
TKM315M355	660-690 V a.c. / 460 V d.c.	315M355	80 kA at 690 V a.c.	gM	133	1	

Dimensions - mm



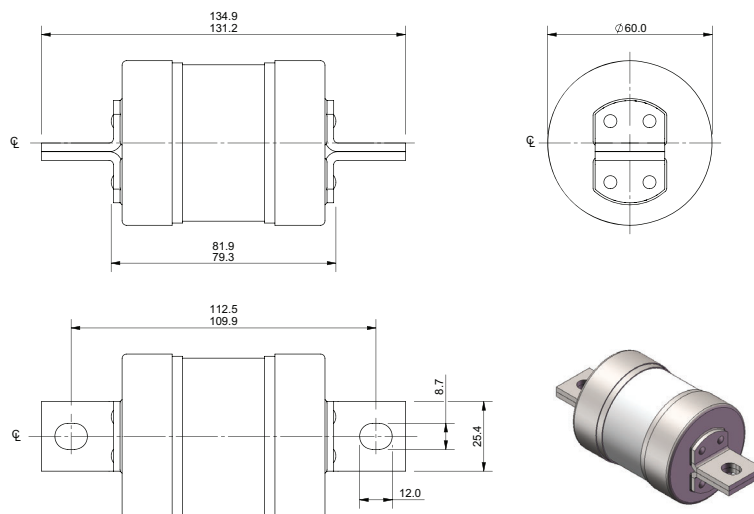
Data sheet: 10078

TMF, class gG, 660-690 V a.c and 460 V d.c., 355 and 400 A - class gM, 660-690 V a.c and 460 V d.c., 400 A



Catalogue numbers	Rated voltage	Rated current (Amps)	Breaking capacity	Operating class	BS reference	Fixing centre (mm)	Pack quantity
TMF355	660-690 V a.c. / 460 V d.c.	355	80 kA at 690 V a.c.	gG	B4	111	1
TMF400	660-690 V a.c. / 460 V d.c.	400	80 kA at 690 V a.c.	gG	B4	111	1
TMF400M450	660-690 V a.c. / 460 V d.c.	400M450	80 kA at 690 V a.c.	gM	B4	111	1

Dimensions - mm



Data sheet: 10078

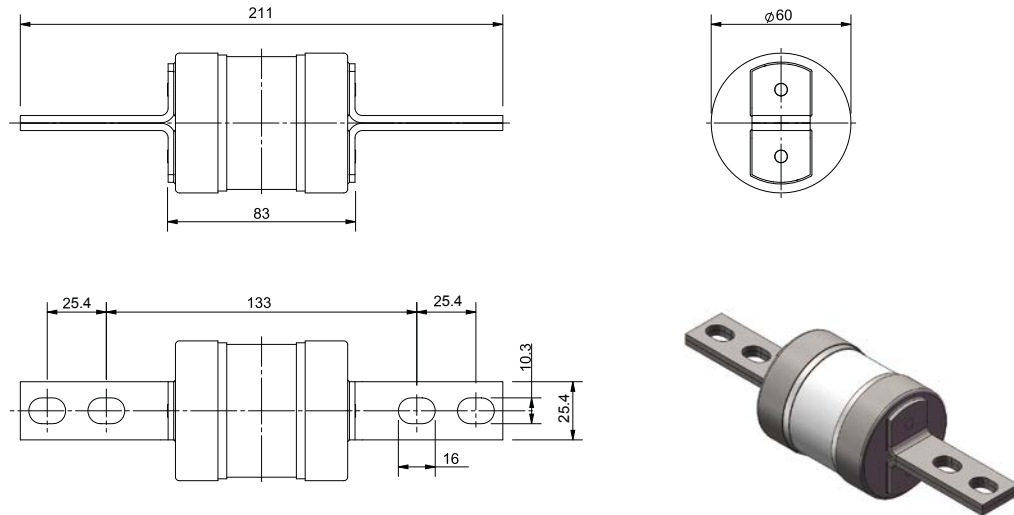
Centre bolted tags fuse links

TM, class gG, 660-690 V a.c and 460 V d.c., 355 and 400 A - class gM, 660-690 V a.c and 460 V d.c., 400 A



Catalogue numbers	Rated voltage	Rated current (Amps)	Breaking capacity	Operating class	BS reference	Fixing centre (mm)	Pack quantity	Compatible fuse holder
TM355	660-690 V a.c. / 460 V d.c.	355	80 kA at 690 V a.c.	gG	C1	133/184	1	RS400
TM400	660-690 V a.c. / 460 V d.c.	400	80 kA at 690 V a.c.	gG	C1	133/184	1	
TM400M450	660-690 V a.c. / 460 V d.c.	400M450	80 kA at 690 V a.c.	gM	C1	133/184	1	

Dimensions - mm

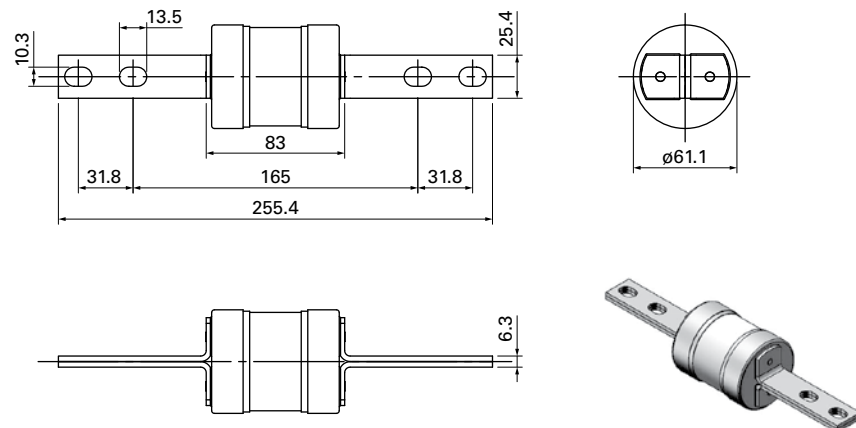


Data sheet: 10078

TMT, class gG, 660 V a.c., 355 and 400 A

Catalogue numbers	Rated voltage	Rated current (Amps)	Breaking capacity	Operating class	Fixing centre (mm)	Pack quantity
TMT355	660 V a.c.	355	80 kA at 660 V a.c.	gG	165	1
TMT400	660 V a.c.	400	80 kA at 660 V a.c.	gG	165	1

Dimensions - mm



Data sheet: 10078

1.2

Industrial and motor applications to BS88 - Red spot

Centre bolted tags fuse links

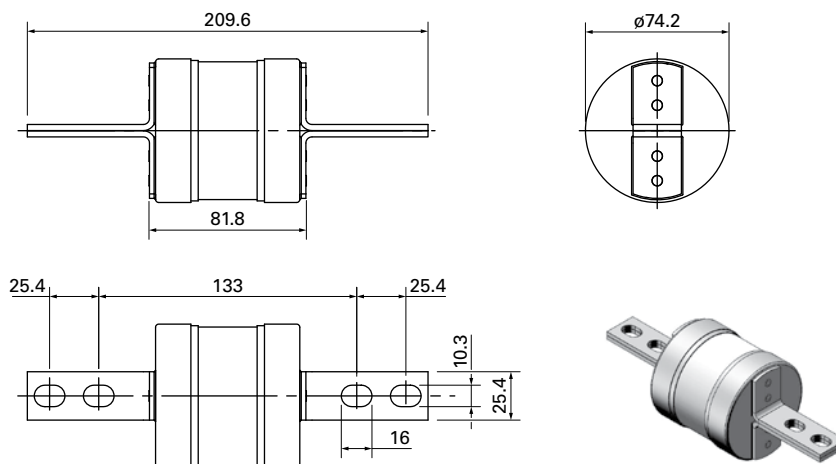
Centre bolted tags fuse links

TTM, class gG, 660-690 V a.c and 450 V d.c., 450 to 630 A - class gM, 660-690 V a.c and 450 V d.c., 630 A



Catalogue numbers	Rated voltage	Rated current (Amps)	Breaking capacity	Operating class	BS reference	Fixing centre (mm)	Pack quantity
TTM450	660-690 V a.c. / 450 V d.c.	450	80 kA at 690 V a.c.	gG	C2	133/184	1
TTM500	660-690 V a.c. / 450 V d.c.	500	80 kA at 690 V a.c.	gG	C2	133/184	1
TTM560	660-690 V a.c. / 450 V d.c.	560	80 kA at 690 V a.c.	gG	C2	133/184	1
TTM630	660-690 V a.c. / 450 V d.c.	630	80 kA at 690 V a.c.	gG	C2	133/184	1
TTM630M670	660-690 V a.c. / 450 V d.c.	630M670	80 kA at 690 V a.c.	gM	C2	133/184	1

Dimensions - mm



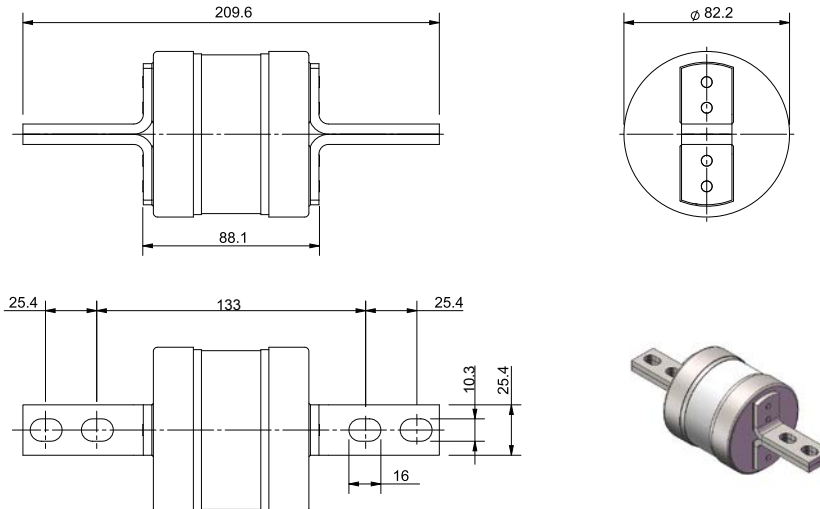
Data sheet: 10078

TLM, class gG, 660-690 V a.c. and 350 V d.c., 670 to 750 A



Catalogue numbers	Rated voltage	Rated current (Amps)	Breaking capacity	Operating class	BS reference	Fixing centre (mm)	Pack quantity
TLM670	660-690 V a.c. / 350 V d.c.	670	80 kA at 690 V a.c.	gG	C3	133/184	1
TLM710	660-690 V a.c. / 350 V d.c.	710	80 kA at 690 V a.c.	gG	C3	133/184	1
TLM750	660-690 V a.c. / 350 V d.c.	750	80 kA at 690 V a.c.	gG	C3	133/184	1
TLM800	660-690 V a.c. / 350 V d.c.	800	80 kA at 690 V a.c.	gG	C3	133/184	1

Dimensions - mm



Data sheet: 10078

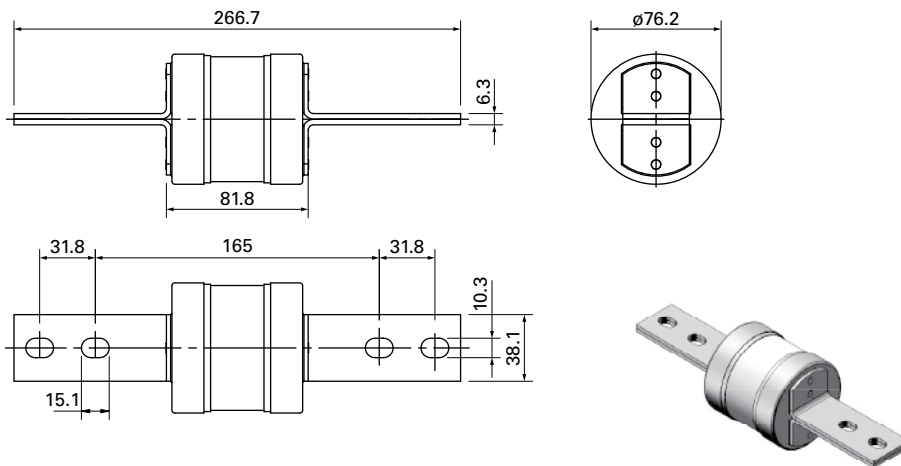
Centre bolted tags fuse links

TT, class gG, 660 V a.c. and 450 V d.c., 500 to 630 A



Catalogue numbers	Rated voltage	Rated current (Amps)	Breaking capacity	Operating class	Fixing centre (mm)	Pack quantity
TT500	660 V a.c. / 450 V d.c.	500	80 kA at 660 V a.c.	gG	165	1
TT560	660 V a.c. / 450 V d.c.	560	80 kA at 660 V a.c.	gG	165	1
TT630	660 V a.c. / 450 V d.c.	630	80 kA at 660 V a.c.	gG	165	1

Dimensions - mm

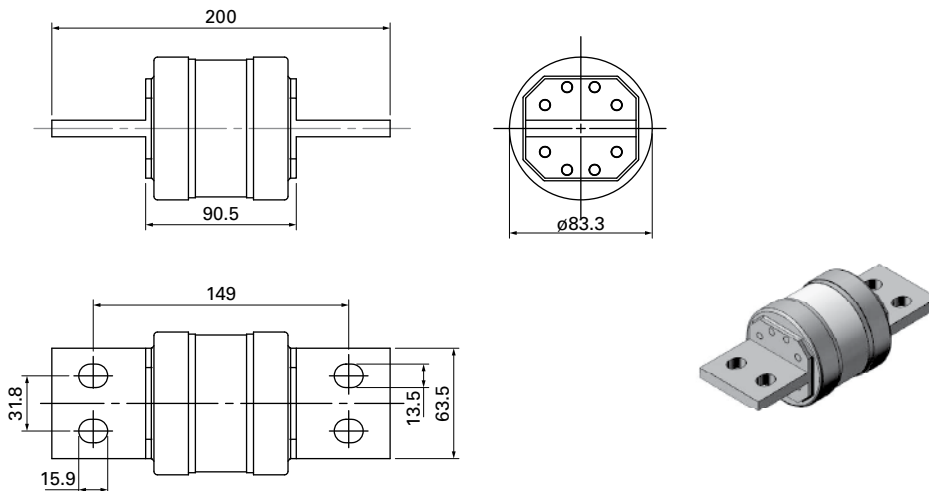


Data sheet: 10078

TLU, class gG, 660 V a.c. and 350 V d.c., 560 to 800 A

Catalogue numbers	Rated voltage	Rated current (Amps)	Breaking capacity	Operating class	BS reference	Fixing centre (mm)	Pack quantity
TLU560	660 V a.c. / 350 V d.c.	560	80 kA at 660 V a.c.	gG	D1	149	1
TLU630	660 V a.c. / 350 V d.c.	630	80 kA at 660 V a.c.	gG	D1	149	1
TLU750	660 V a.c. / 350 V d.c.	750	80 kA at 660 V a.c.	gG	D1	149	1
TLU800	660 V a.c. / 350 V d.c.	800	80 kA at 660 V a.c.	gG	D1	149	1

Dimensions - mm



Data sheet: 10078

1.2

Industrial and motor applications to BS88 - Red spot

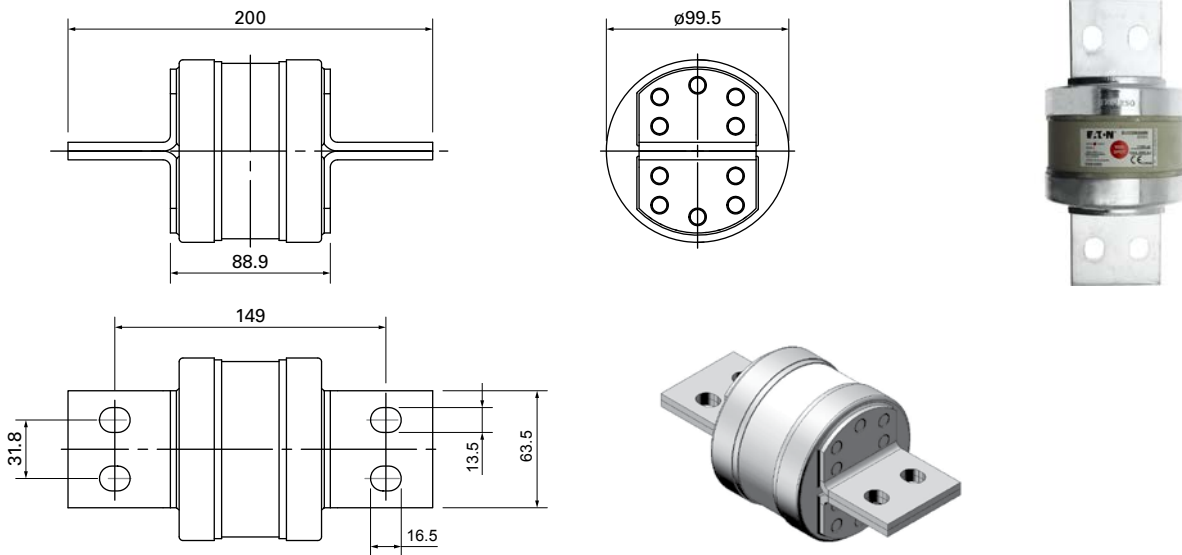
Centre bolted tags fuse links

Centre bolted tags fuse links

TXU, class gG, 660-690 V a.c. and 300 V d.c., 1000 and 1250 A

Catalogue numbers	Rated voltage	Rated current (Amps)	Breaking capacity	Operating class	BS reference	Fixing centre (mm)	Pack quantity
TXU1000	660-690 V a.c. / 300 V d.c.	1000	80 kA at 690 V a.c.	gG	D1	149	1
TXU1250	660-690 V a.c. / 300 V d.c.	1250	80 kA at 690 V a.c.	gG	D1	149	1

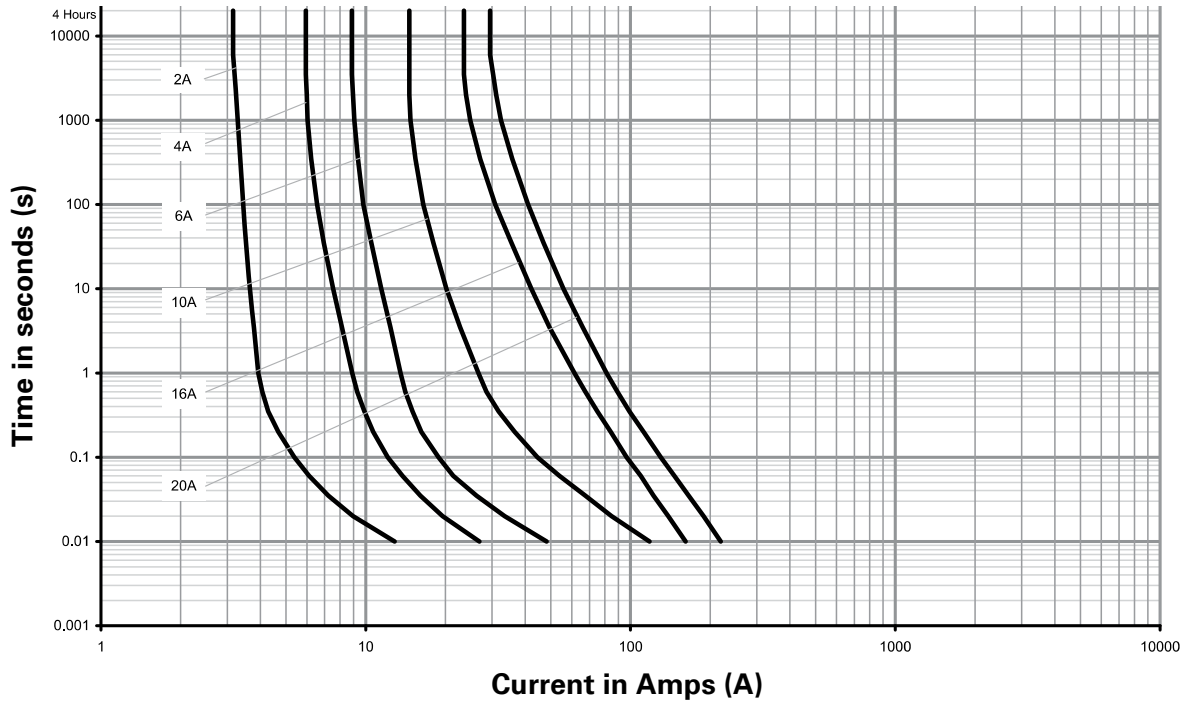
Dimensions - mm



Data sheet: 10078

Time-current curves - General application fuse links

NIT -gG fuse links



Catalogue numbers	I²t (Amps² Seconds)	
	Pre-arcing	Total at 550 V
NIT2	2.2	15
NIT4	7.2	50
NIT6	22	150
NIT10	170	1000
NIT16	200	1350
NIT20	360	2200

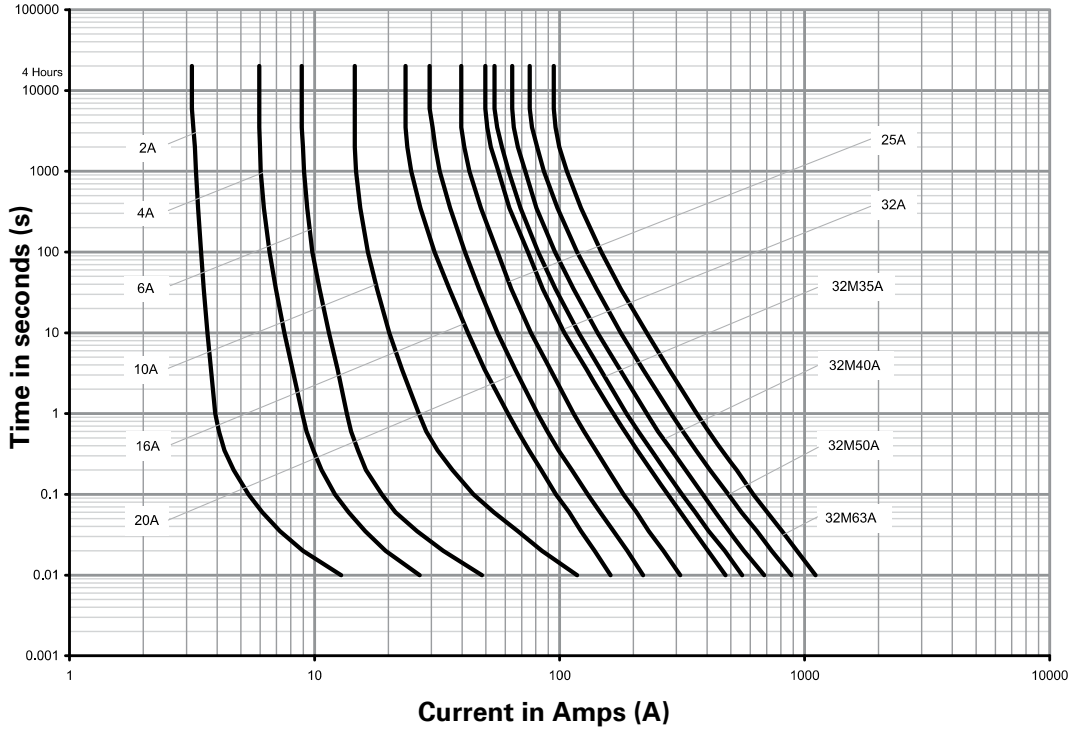
1.2

Industrial and motor applications to BS88 - Red spot

Time-current curves - General and Motor application fuse links

Time-current curves - General and Motor application fuse links

TIA - gG and aM fuse links

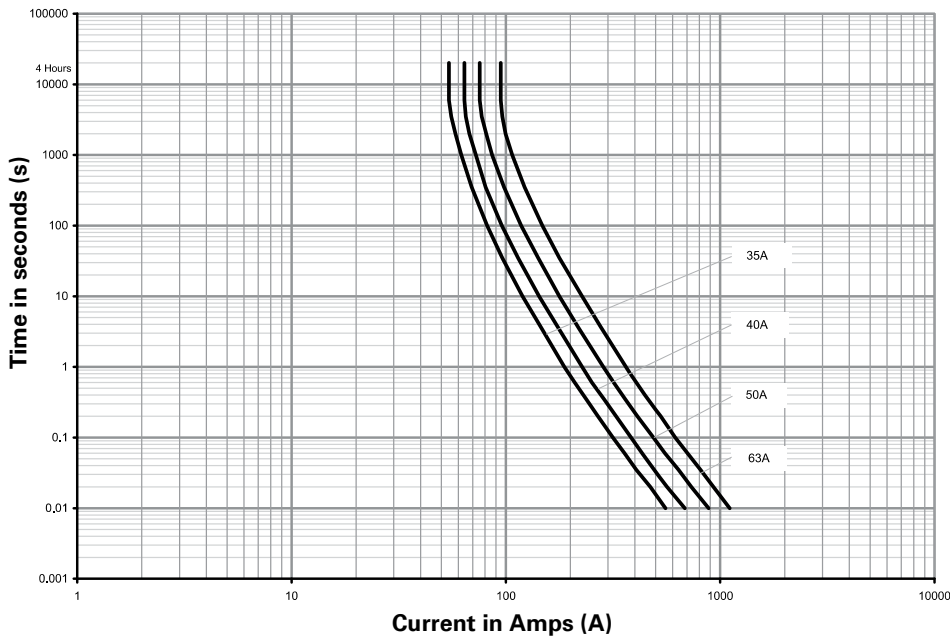


Catalogue numbers	I ² t (Amps ² Seconds)	
	Pre-arcing	Total at 660-690 V a.c.
TIA2	2	15
TIA4	7	50
TIA6	22	150
TIA10	170	1000
TIA16	150	1100
TIA20	300	1670
TIA25	500	3400
TIA32	1080	5900
TIA32M35	1380	6500
TIA32M40	1920	8380
TIA32M50	3410	13260
TIA32M63	6500	25000

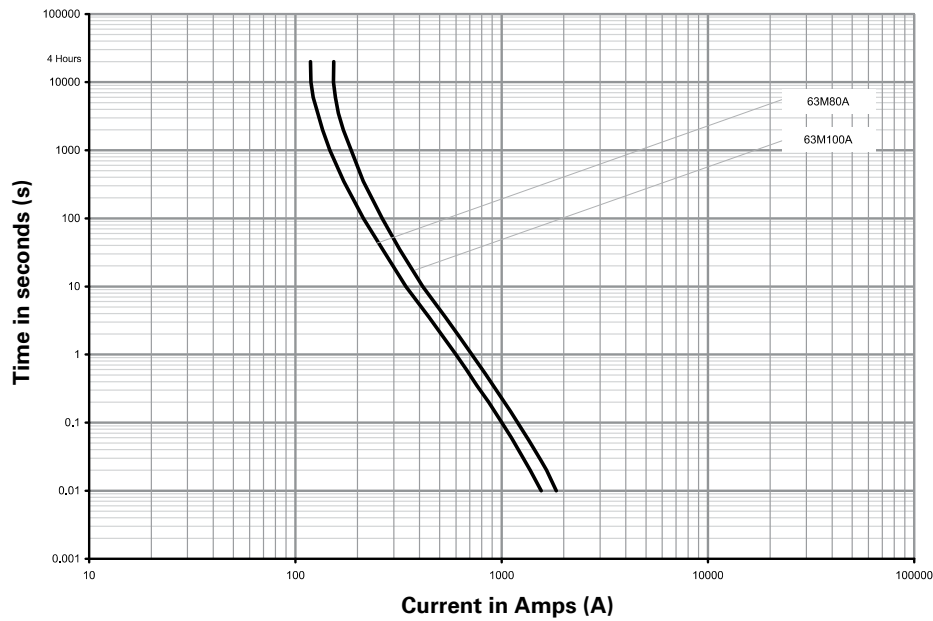
Data sheet: 10020

Time-current curves - General and Motor application fuse links

TIS - gG fuse links



TIS - aM fuse links



Catalogue numbers	I ² t (Amps ² Seconds)	
	Pre-arcing	Total at 660-690 V a.c.
TIS35	1380	6500
TIS40	1920	8380
TIS50	3410	13,260
TIS63	6500	25,000
TIS63M80	14,000	66,000
TIS63M100	17,000	100,000

Data sheet: 10020

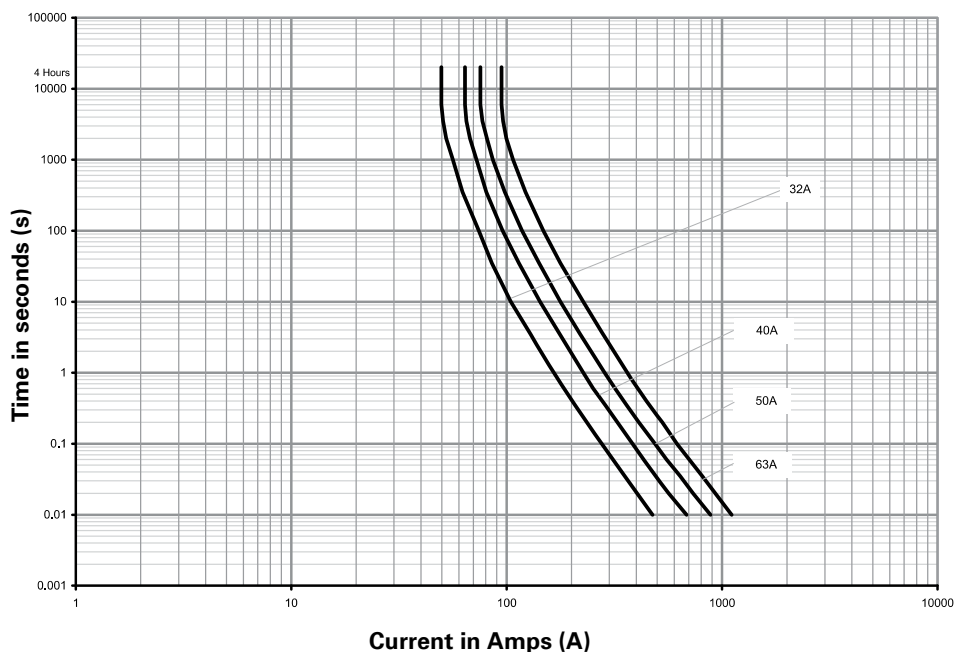
1.2

Industrial and motor applications to BS88 - Red spot

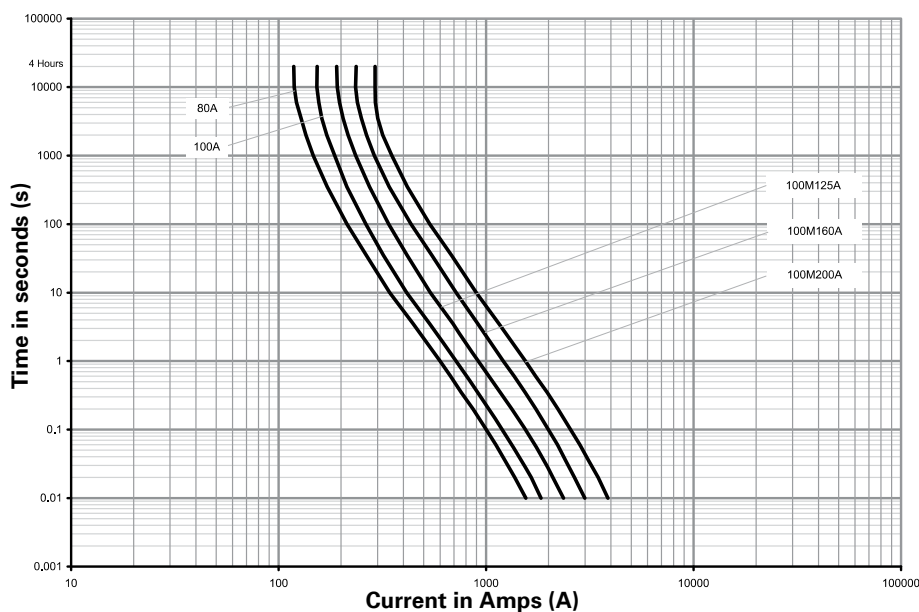
Time-current curves - General and Motor application fuse links

Time-current curves - General and Motor application fuse links

TCP - gG fuse links



TCP - aM fuse links



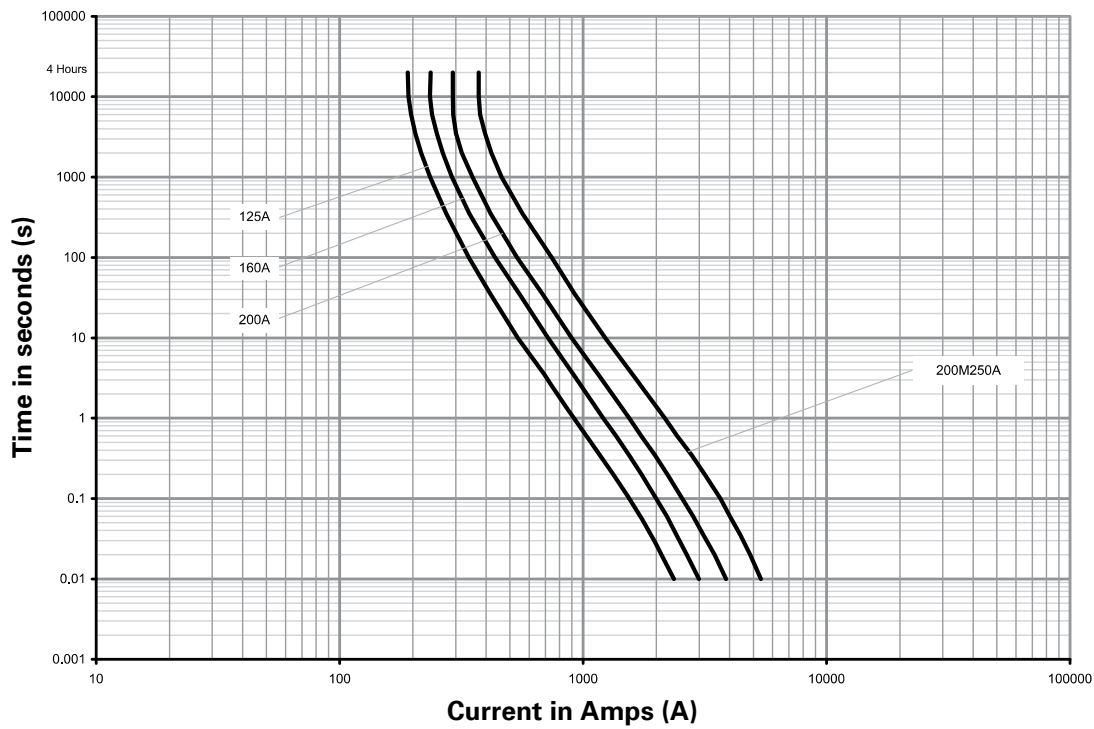
Catalogue numbers	I ² t (Amps ² Seconds)	
	Pre-arcing	Total at 660-690 V a.c.
TCP32	1080	5900
TCP40	1920	8380
TCP50	3410	13,260
TCP63	6500	25,000
TCP80	14,000	66,000
TCP100	17,000	100,000

Catalogue numbers	I ² t (Amps ² Seconds)	
	Pre-arcing	Total at 660-690 V a.c.
TCP100M125	25,000	140,000
TCP100M160	62,000	270,000
TCP100M200	105,000	430,000

Data sheet: 10020

Time-current curves - General and Motor application fuse links

TFP - gG and gM fuse links



Catalogue numbers	I ² t (Amps ² Seconds)	
	Pre-arcing	Total at 660-690 V a.c.
TFP125	25,000	140,000
TFP160	62,000	270,000
TFP200	105,000	430,000
TFP200M250	200,000	870,000

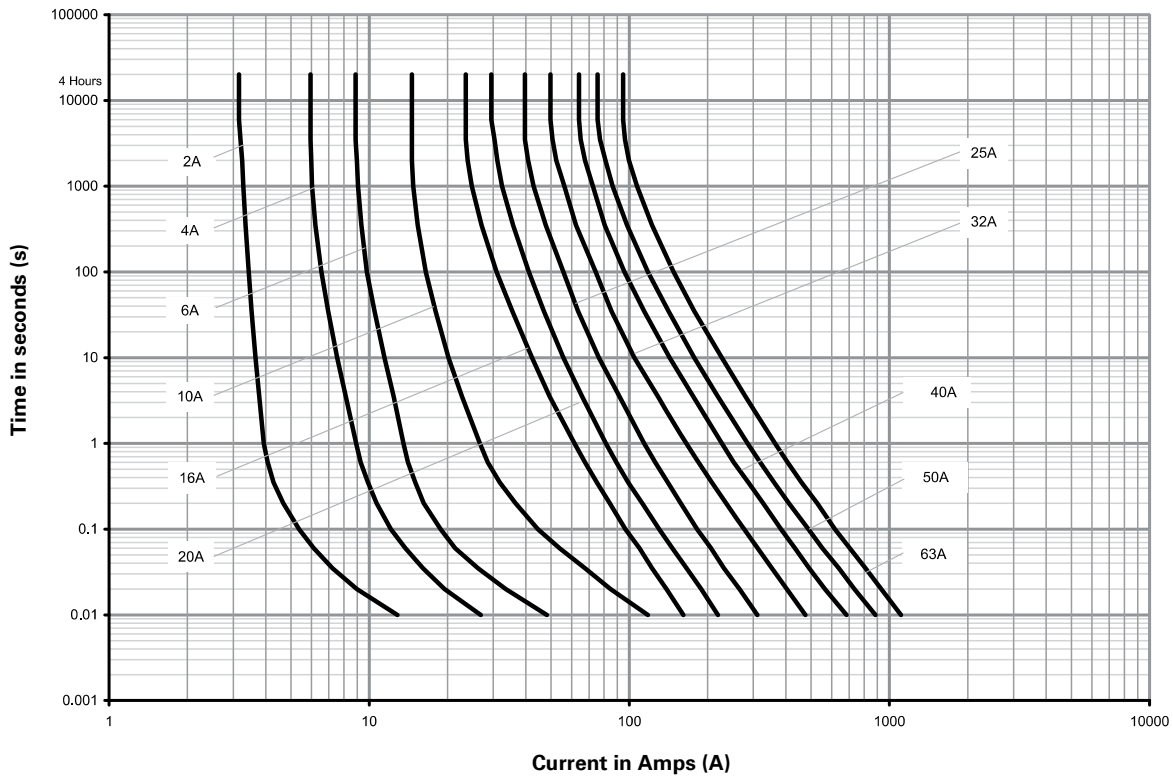
1.2

Industrial and motor applications to BS88 - Red spot

Time-current curves - General application fuse links

Time-current curves - General application fuse links

TB, TBC- gG fuse links

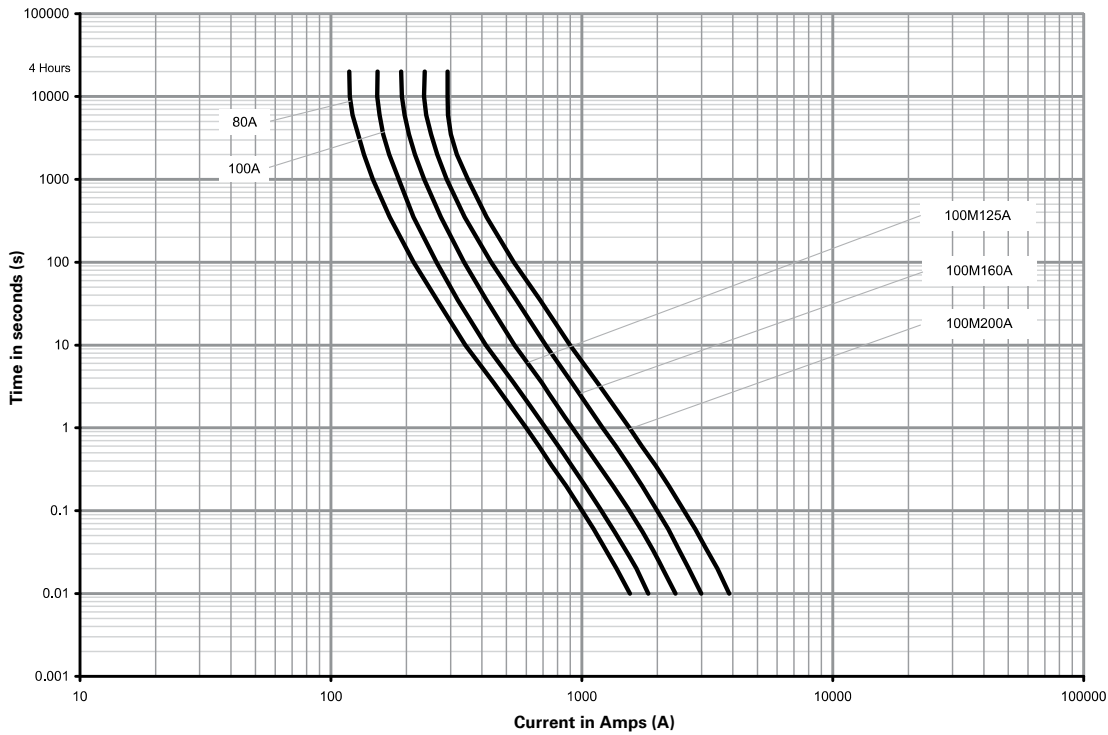


Catalogue numbers	I ² t (Amps ² Seconds)	
	Pre-arcing	Total at 660 V a.c.
TBC2	2	15
TB4 TBC4	7	50
TB6 TBC6	22	150
TB10 TBC10	170	1000
TB16 TBC16	150	1100
TB20 TBC20	300	1670
TB25 TBC25	500	3400
TB32 TBC32	1080	5900
TB40 TBC40	1920	8380
TB50 TBC50	3410	13,260
TB63 TBC63	6500	25,000

Data sheet: 10078

Time-current curves - General and Motor application fuse links

TC - gG and gM fuse links



Catalogue numbers	I ² t (Amps ² Seconds)	
	Pre-arcing	Total at 660-690 V a.c.
TC80	14	66
TC100	17	100
TC100M125	25	140
TC100M160	62	270
TC100M200	105	430

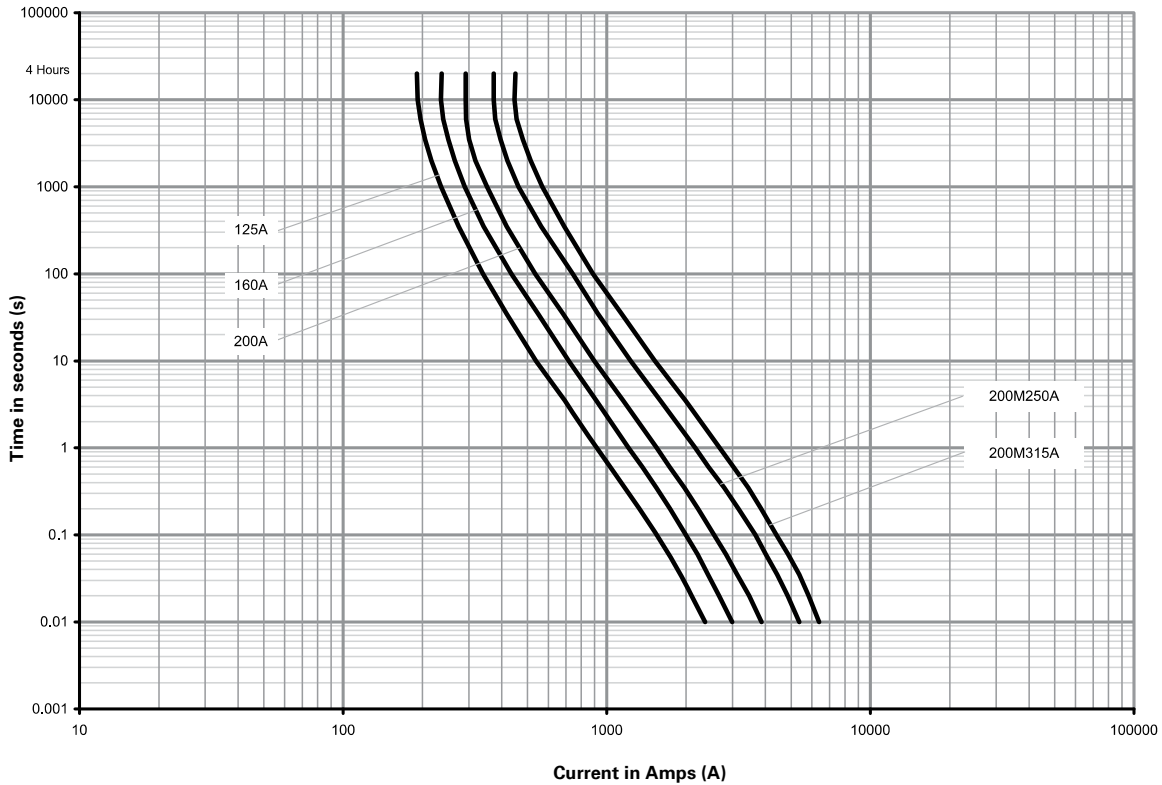
1.2

Industrial and motor applications to BS88 - Red spot

Time-current curves - General and Motor application fuse links

Time-current curves - General and Motor application fuse links

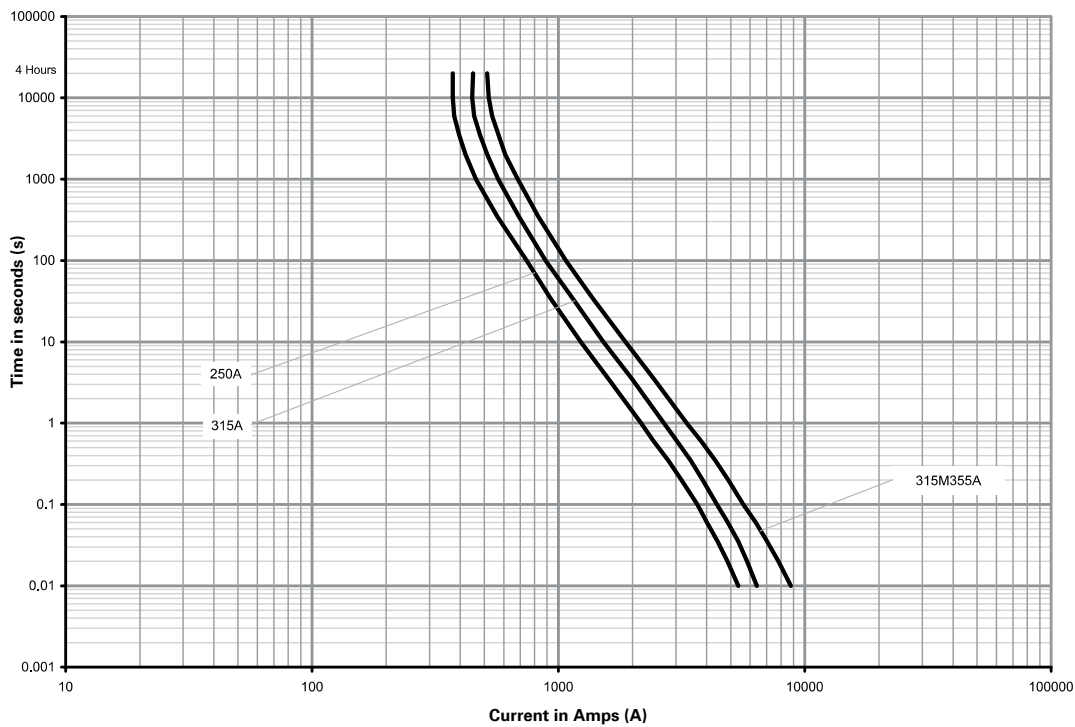
TF - gG and gM fuse links



Catalogue numbers	I ² t (Amps ² Seconds)	
	Pre-arcing	Total at 660-690 V a.c.
TF125	25	140
TF160	62	270
TF200	105	430
TF200M250	200	870
TF200M315	300	1050

Time-current curves - General and Motor application fuse links

TKF, TKM - gG and gM fuse links



Catalogue numbers		I ² t (Amps ² Seconds)	
		Pre-arcing	Total at 660-690 V a.c.
TKF250	TKM250	200	870
TKF315	TKM315	300	1350
TKF315M355	TKM315M355	500	2250

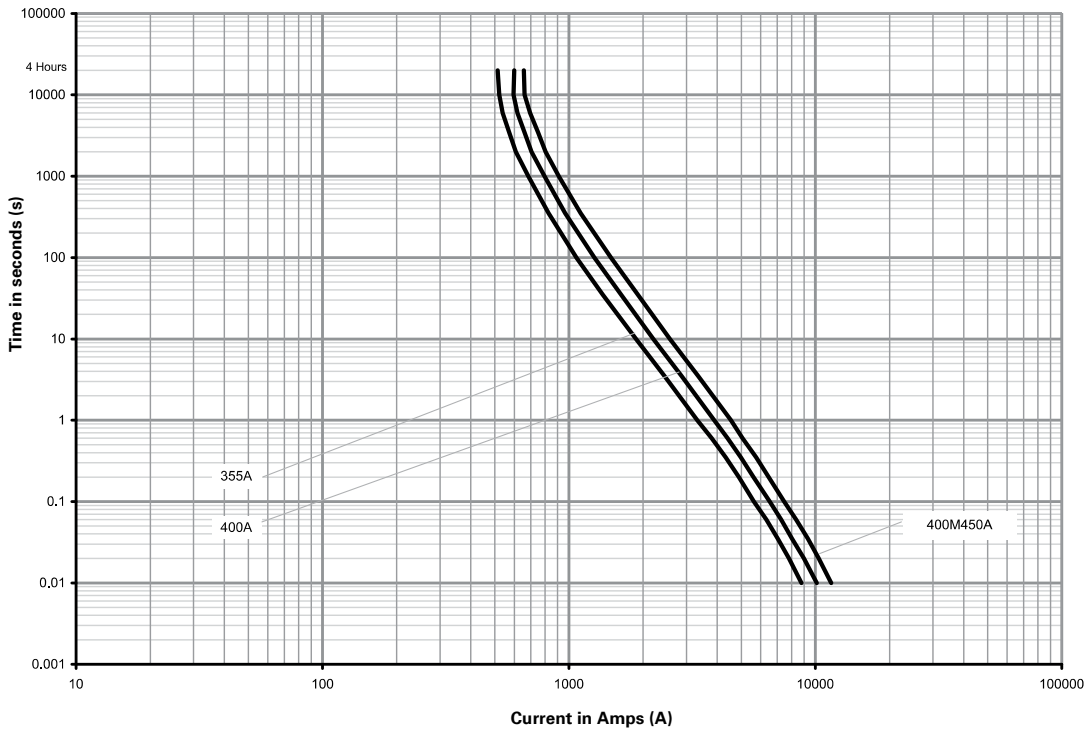
1.2

Industrial and motor applications to BS88 - Red spot

Time-current curves - General and Motor application fuse links

Time-current curves - General and Motor application fuse links

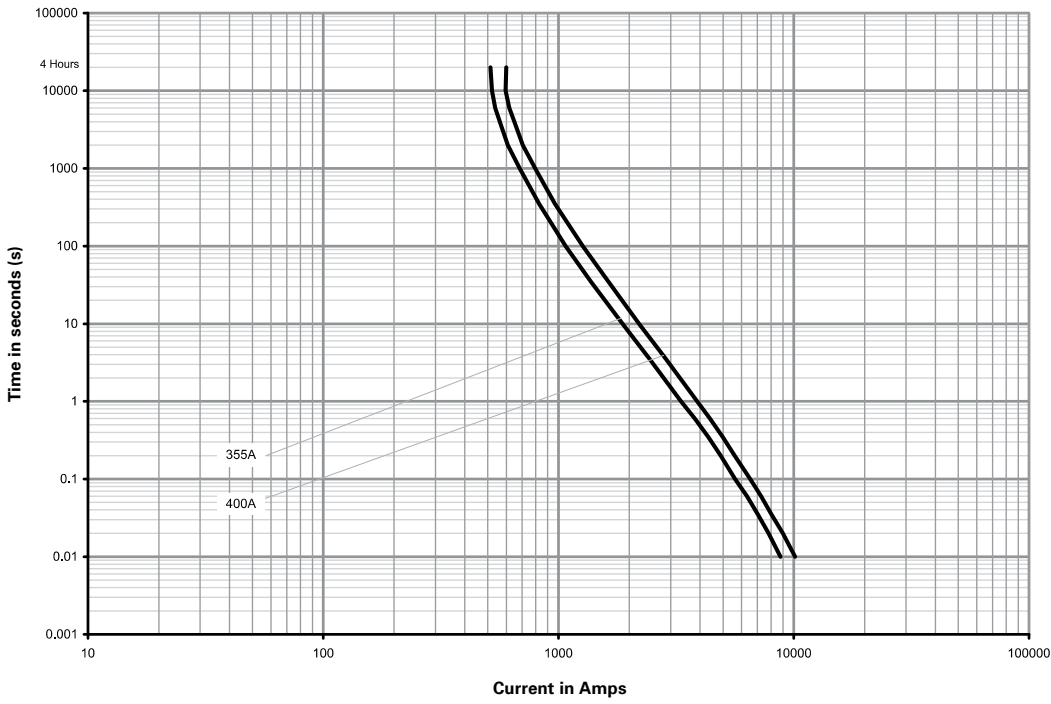
TM, TMF - gG and gM fuse links



Catalogue numbers		I ² t (Amps ² Seconds)	
		Pre-arcing	Total at 660-690 V a.c.
TM355	TMF355	500	2250
TM400	TMF400	640	3000
TM400M450	TMF400M450	800	3800

Time-current curves - General application fuse links

TMT - gG fuse links



Catalogue numbers	I²t (Amps² Seconds)	
	Pre-arcing	Total at 660 V a.c.
TMT355	500	2250
TMT400	640	3000

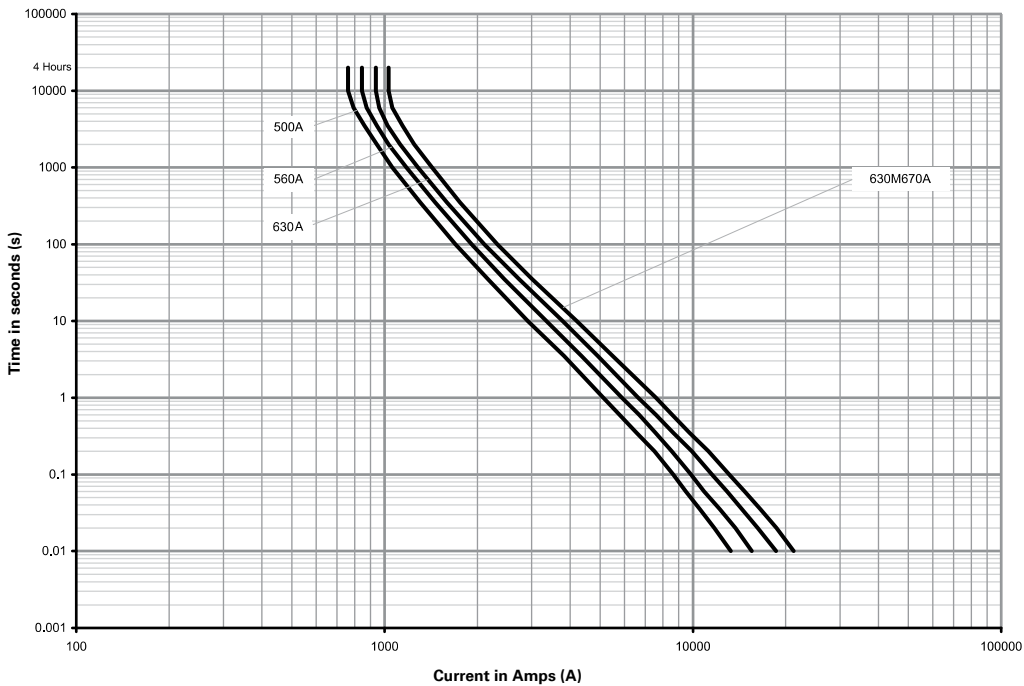
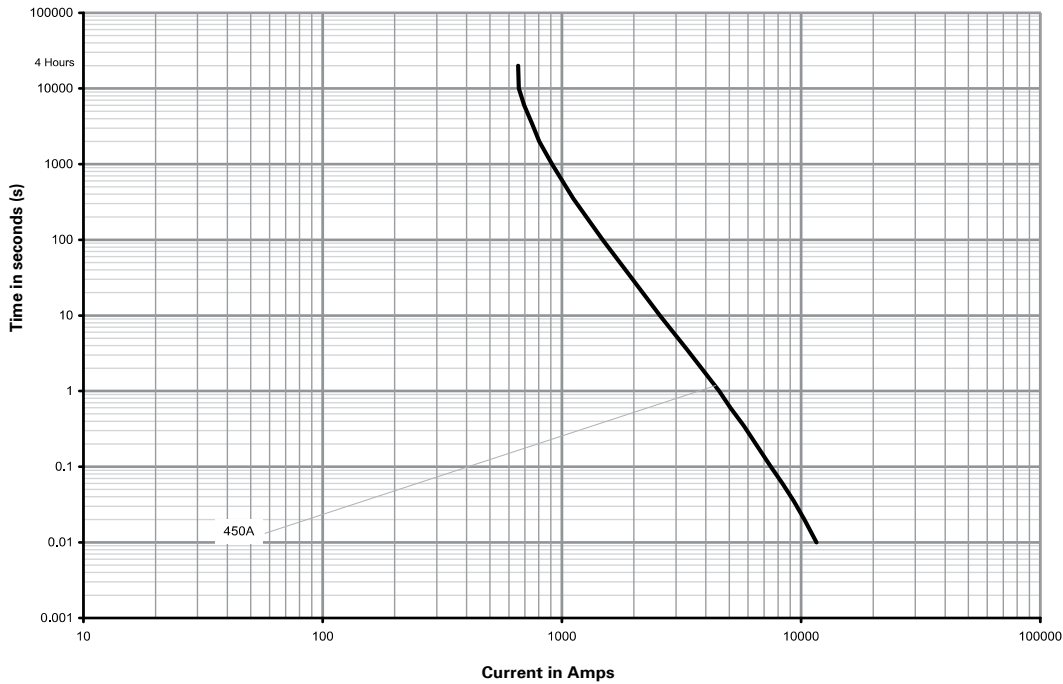
1.2

Industrial and motor applications to BS88 - Red spot

Time-current curves - General and Motor application fuse links

Time-current curves - General and Motor application fuse links

TTM - gG and gM fuse links

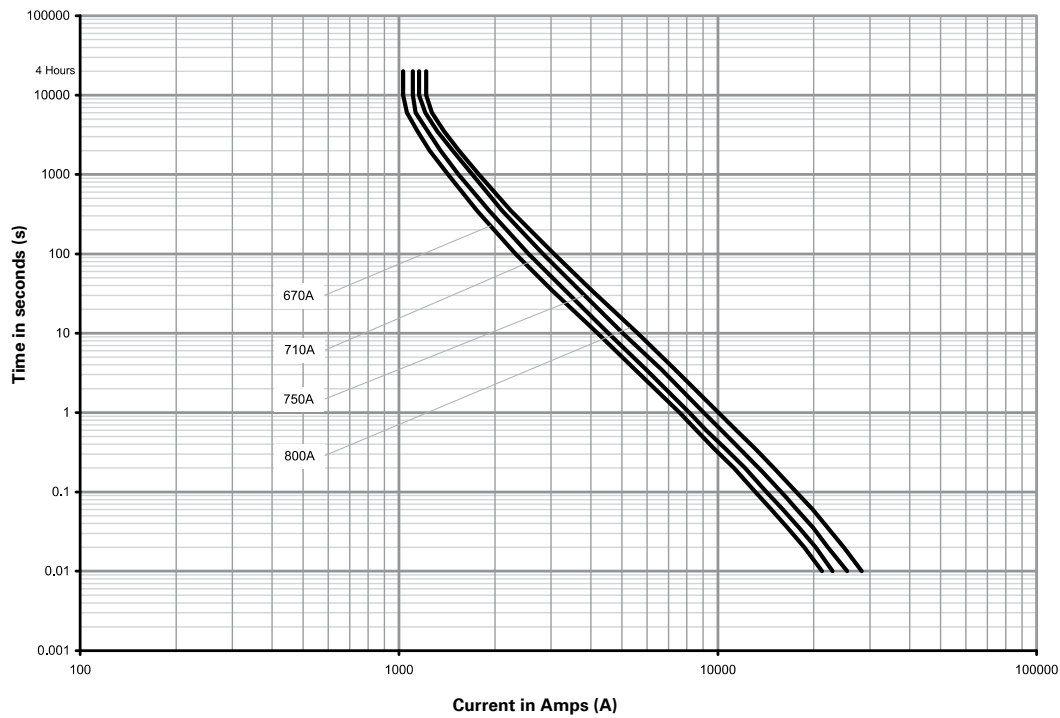


Catalogue numbers	I ² t (Amps ² Seconds)	
	Pre-arcing	Total at 660-690 V a.c.
TTM450	800	3800
TTM500	1050	4500
TTM560	1400	5400
TTM630	2000	7500
TTM630M670	2400	9000

Data sheet: 10078

Time-current curves - General application fuse links

TLM - gG fuse links



Catalogue numbers	I²t (Amps² Seconds)	
	Pre-arcing	Total at 660-690 V a.c.
TLM670	2400	9000
TLM710	2800	9700
TLM750	3700	12,000
TLM800	4400	15,000

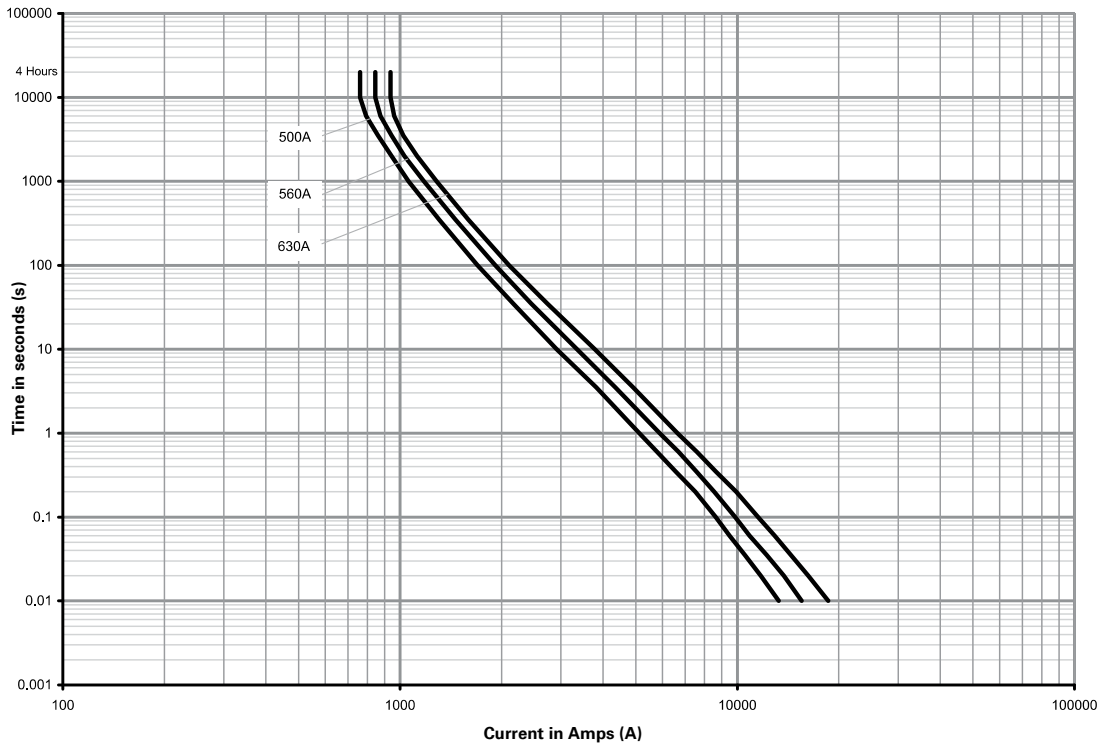
1.2

Industrial and motor applications to BS88 - Red spot

Time-current curves - General application fuse links

Time-current curves - General application fuse links

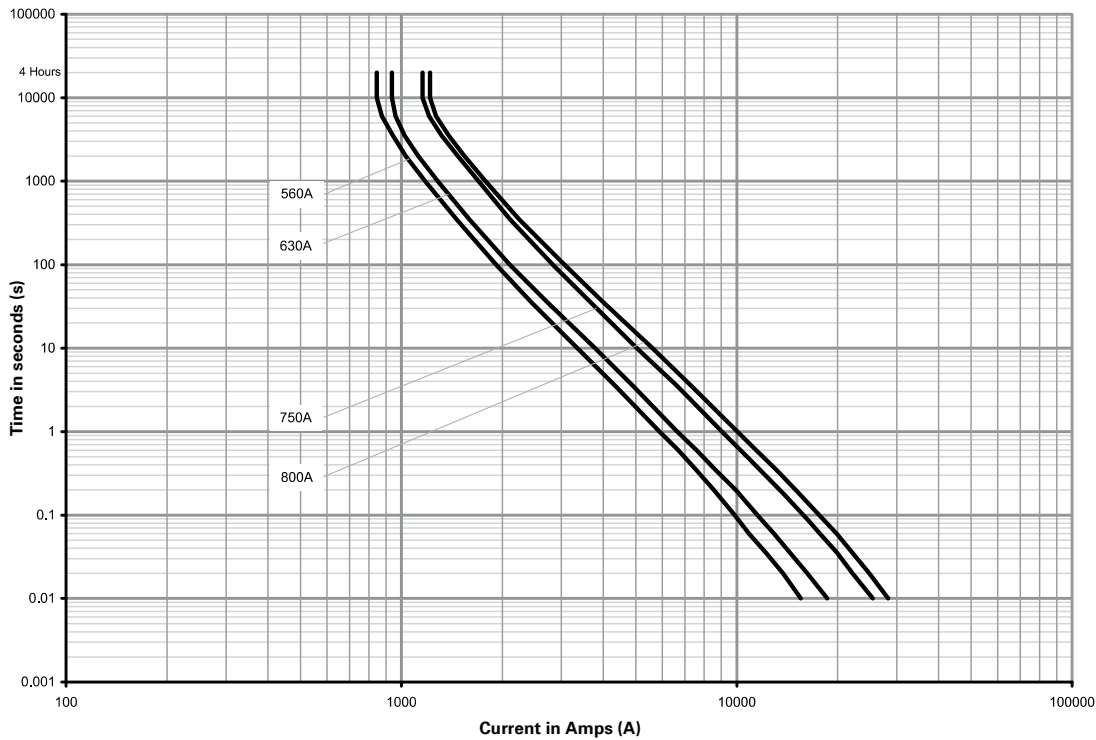
TT - gG fuse links



Catalogue numbers	I ² t (Amps ² Seconds)	
	Pre-arcing	Total at 660- V a.c.
TT500	1050	4500
TT560	1400	5400
TT630	2000	7500

Time-current curves - General application fuse links

TLU - gG fuse links



Catalogue numbers	I ² t (Amps ² Seconds)	
	Pre-arcing	Total at 660- V a.c.
TLU560	1400	5400
TLU630	2000	7500
TLU750	3700	12,000
TLU800	4400	15,000

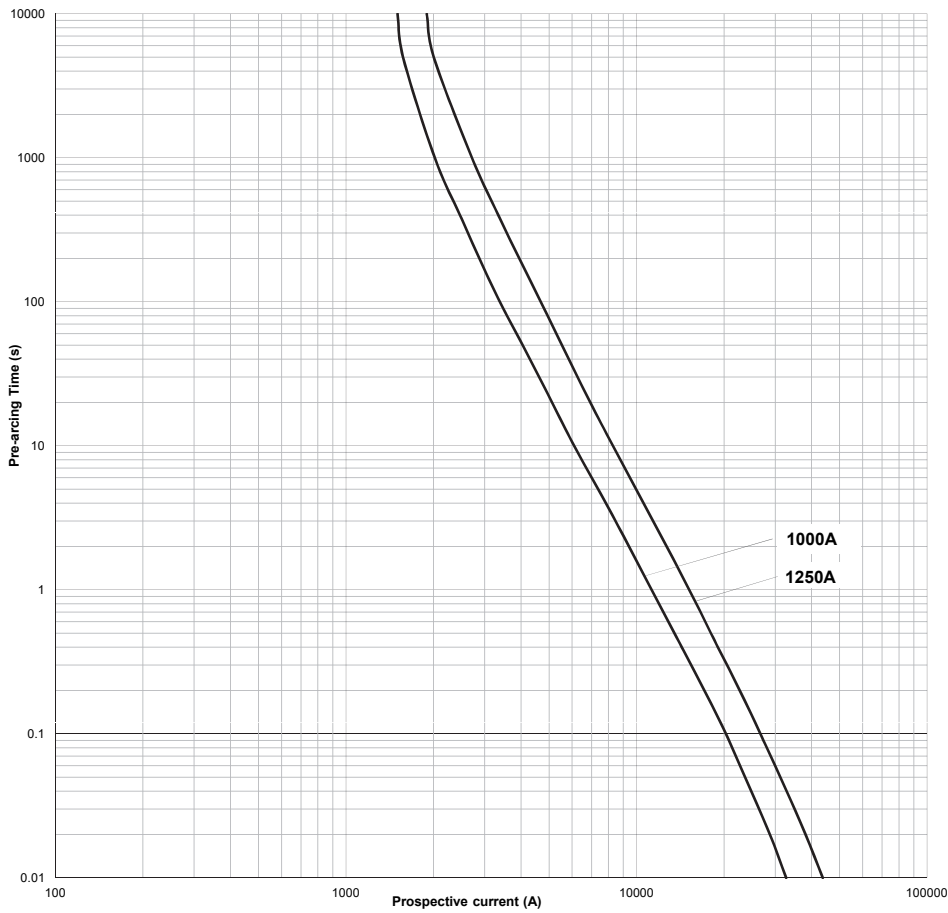
1.2

Industrial and motor applications to BS88 - Red spot

Time-current curves - General application fuse links

Time-current curves - General application fuse links

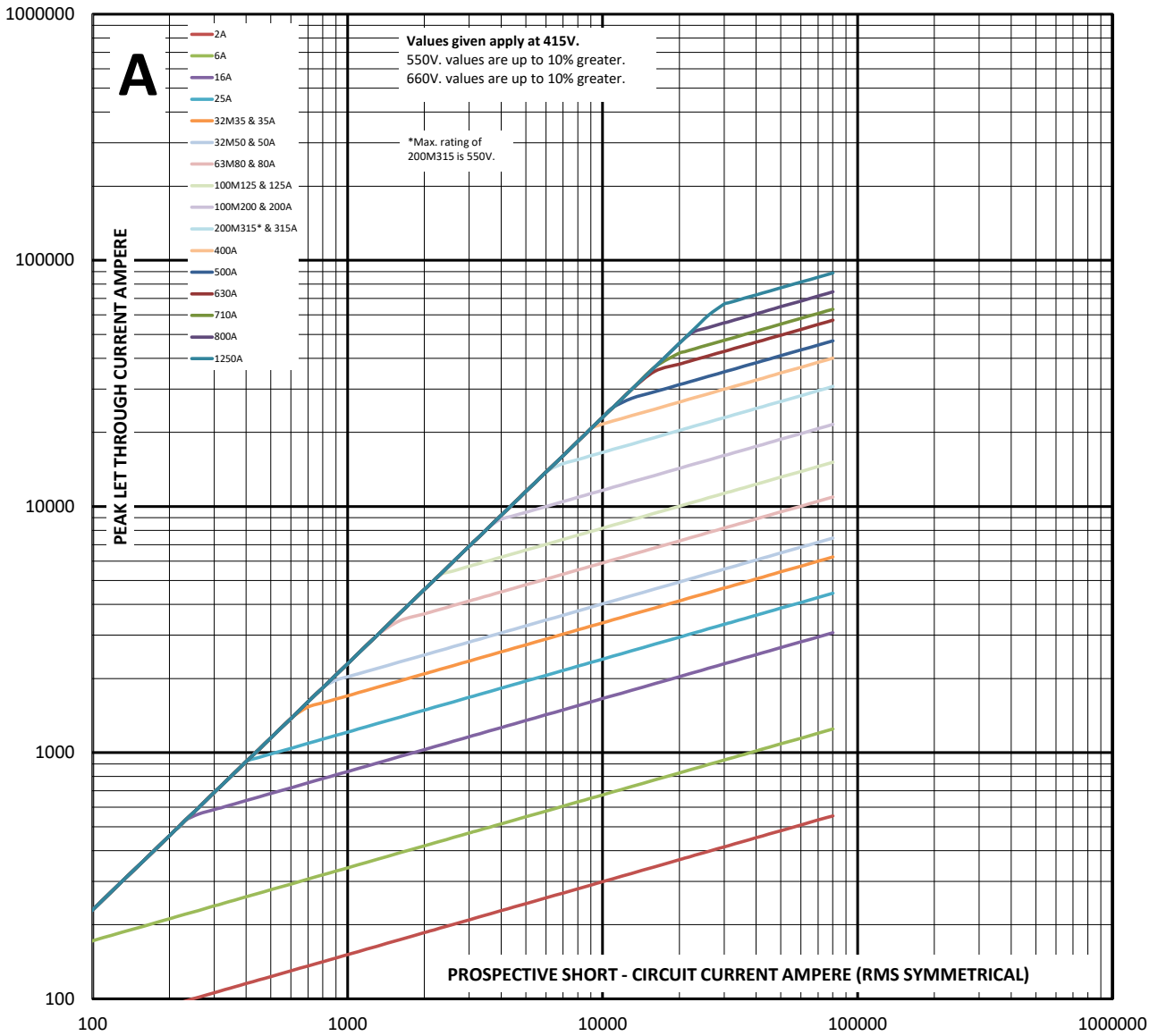
TXU - gG fuse links



Catalogue numbers	I ² t (Amps ² Seconds)	
	Pre-arcing	Total at 660- V a.c.
TXU1000	5300	17500
TXU1250	10000	29000

Data sheet: 10078

Cut-off curve - General application fuse links

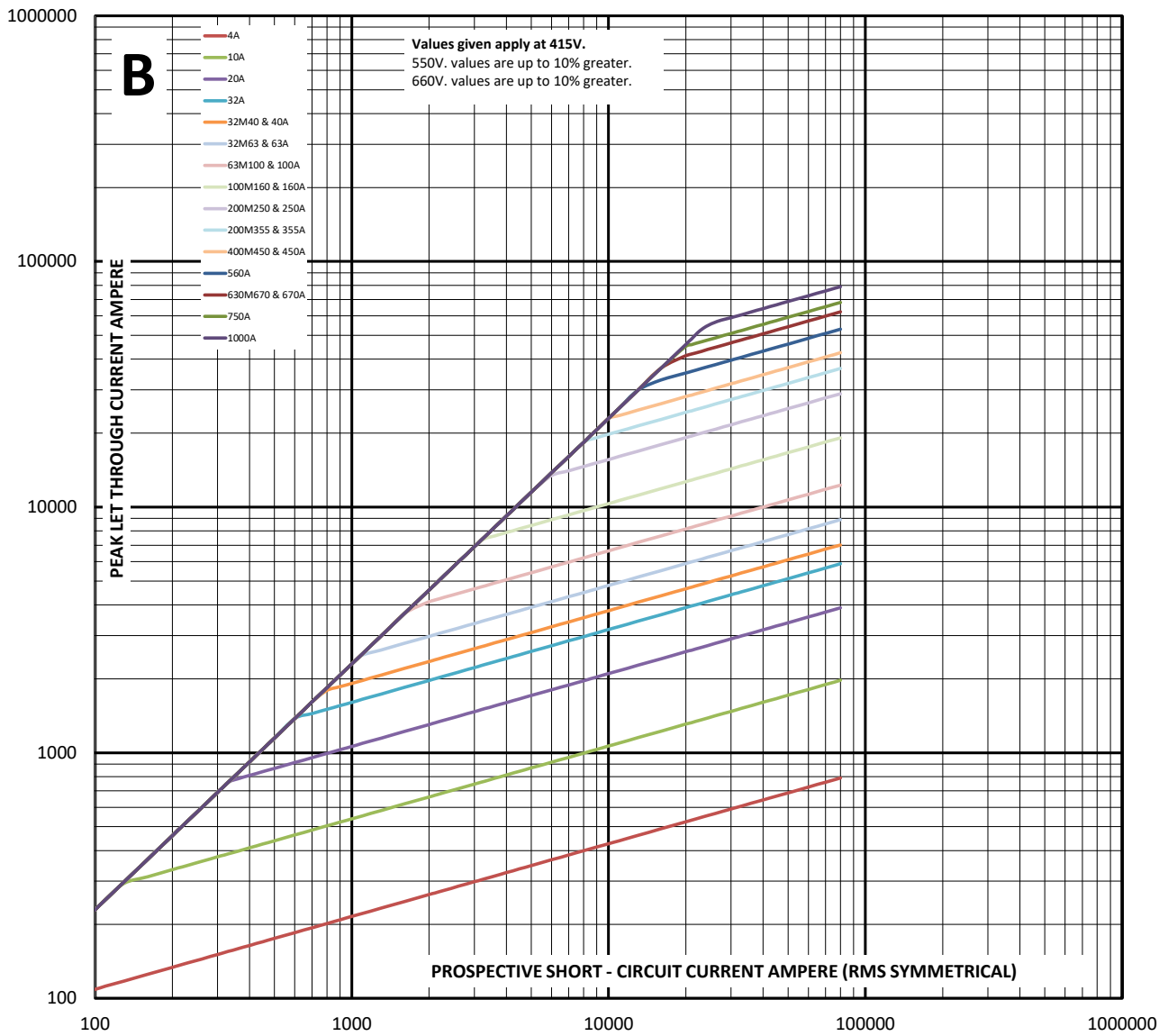


1.2

Industrial and motor applications to BS88 - Red spot

Cut-off curve - Motor application fuse links

Cut-off curve - Motor application fuse links



Camaster fuse holders

Specifications

Description

BS Fuse holders specifically designed to fit BS fuse links.

Technical data

Rated voltage: 690 V a.c.
Rated current: 20 to 100 A

Standard/agency information

ASTA certified to IEC 60269.



Product selection

Catalogue numbers	Description	Colour	Rated current (Amps)	Rated voltage	Minimum conductor size (mm ²)	Maximum conductor size (mm ²)	Pack quantity	Compatible fuse links
CM20F	Front connected*	Black	20	690 V a.c.	0.5	16	10	NITD, NIT,
CM32FC	Front connected compact*	Black	32	690 V a.c.	0.5	16	10	NITD, NIT
CM32FCG	Front connected compact*	Green	32	690 V a.c.	0.5	16	10	NITD, NIT
CM32FCW	Front connectd compact*	White	32	690 V a.c.	0.5	16	10	NITD, NIT,
CM32F	Front connected*	Black	32	690 V a.c.	1.5	16	10	AAO, TIA
CM32FG	Front connected*	Green	32	690 V a.c.	1.5	16	10	AAO, TIA
CM32FW	Front connected*	White	32	690 V a.c.	1.5	16	10	AAO, TIA
CM63F	Front connected*	Black	63	690 V a.c.	1.5	70	10	BAO, TIS
CM63FW	Front connected*	White	63	690 V a.c.	1.5	70	10	BAO, TIS
CM100F	Front connected*	Black	100	690 V a.c.	1.5	70	5	OSD
CM100FW	Front connected*	White	100	690 V a.c.	1.5	70	5	OSD

* Back studs can be retrofitted as standard

Accessories

Catalogue numbers	Description	Pack quantity
32BSC	Back stud for 20-32 A compact Camaster	10
32BS	Back stud conversion kit for 32 A Camaster	10
63-100BS	Back stud for 63-100 A Camaster	5
32CMLC	Neutral link for 32 A compact Camaster	10
32CML	Neutral link for 32 A Camaster	1
63-100CML	Neutral link for 63-100 A Camaster	1
32LSCC	Lockable safety carrier 20-32 A compact	3
32LSC	Lockable safety carrier 32 A	3
63-100LSC	Lockable safety carrier 63 - 100 A	3



1.3

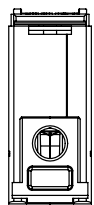
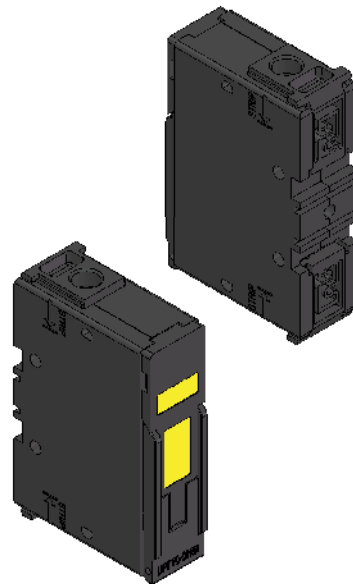
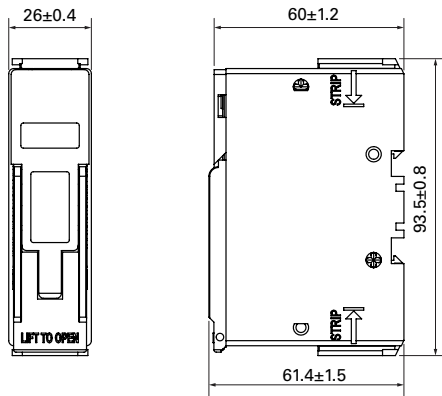
BS88 Fuse holders

Camaster fuse holders

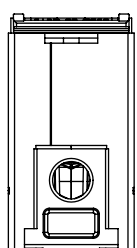
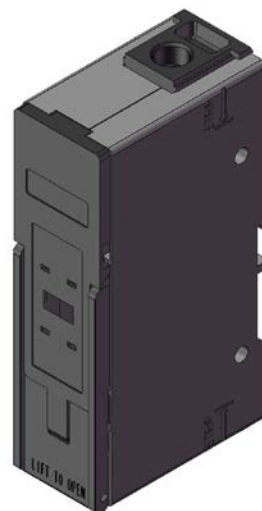
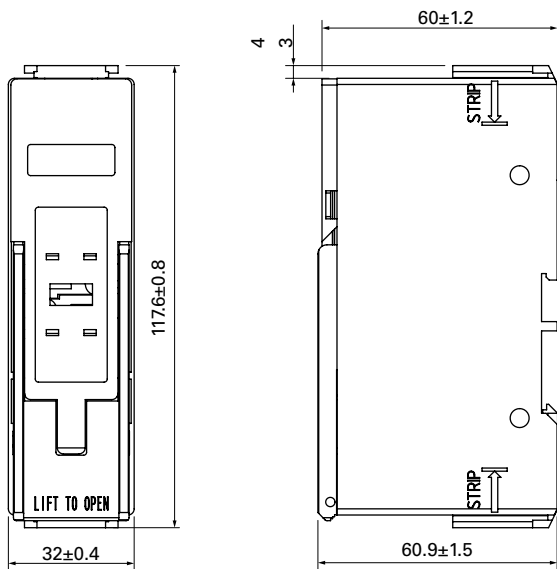
Camaster fuse holders

Dimensions - mm

CM20F and CM32FC



CM32F

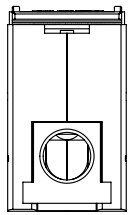
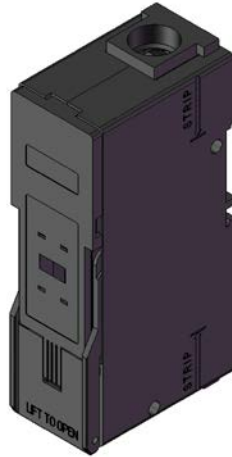
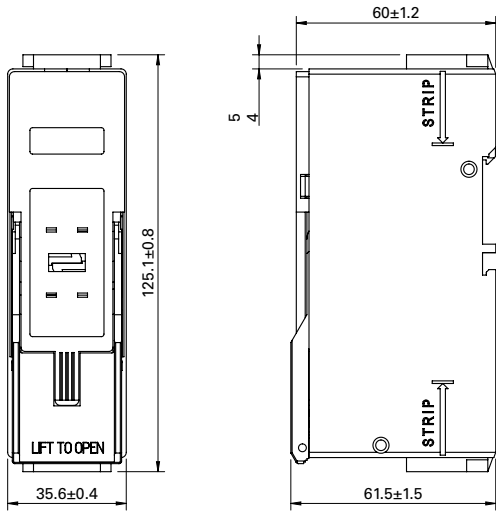


Data sheet: 10415

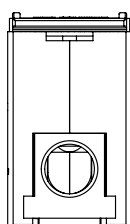
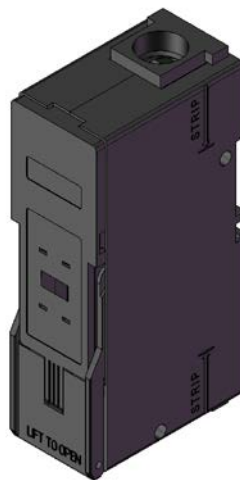
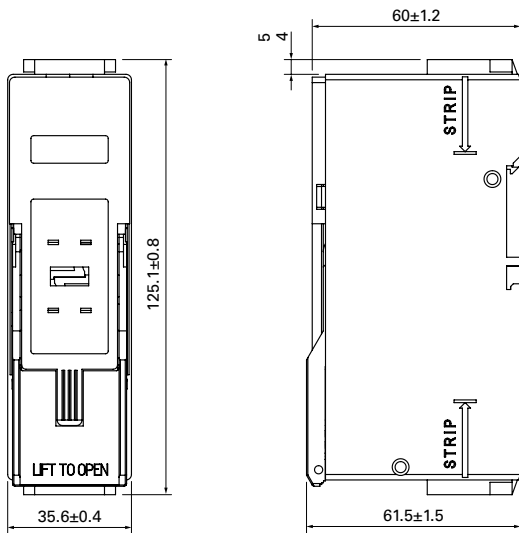
Camaster fuse holders

Dimensions - mm

CM63F



CM100F



1.3

BS88 Fuse holders

Safeloc fuse holders

Safeloc fuse holders

Specifications

Description

BS Fuse holders specifically designed to fit BS fuse links.

Technical data

Rated voltage: 550 V a.c.
Rated current: 32 to 63 A

Standard/agency information

ASTA certified to IEC 60269.



Product selection

Catalogue numbers	Description	Colour	Rated current (Amps)	Rated voltage	Minimum conductor size (mm ²)	Maximum conductor size (mm ²)	Pack quantity	Compatible fuse links
32NNSBS	Back stud/back stud	Black	32	550 V a.c.	0.5	16	10	NSD
32NNSBSGREEN	Back stud/back stud	Green	32	550 V a.c.	0.5	16	10	NSD
32NNSBSWHITE	Back stud/back stud	White	32	550 V a.c.	0.5	16	10	NSD
32NNSF	Front connected/front connected	Black	32	550 V a.c.	0.5	16	10	NSD
32NNSFGREEN	Front connected/front connected	Green	32	550 V a.c.	0.5	16	10	NSD
32NNSFWHITE	Front connected/front connected	White	32	550 V a.c.	0.5	16	10	NSD
32NNSFBS	Front connected/back stud	Black	32	550 V a.c.	0.5	16	10	NSD
32NNSFBSWHITE	Front connected/back stud	White	32	550 V a.c.	0.5	16	10	NSD
63ENSBS	Back stud/back stud	Black	63	550 V a.c.	1.5	35	5	ESD
63ENSBSWHITE	Back stud/back stud	White	63	550 V a.c.	1.5	35	5	ESD
63ENSF	Front connected/front connected	Black	63	550 V a.c.	1.5	35	5	ESD
63ENSFWHITE	Front connected/front connected	White	63	550 V a.c.	1.5	35	5	ESD
63ENSFBS	Front connected/back stud	Black	63	550 V a.c.	1.5	35	5	ESD
63ENSFBSWHITE	Front connected/back stud	White	63	550 V a.c.	1.5	35	5	ESD



Front connected
32NNSF



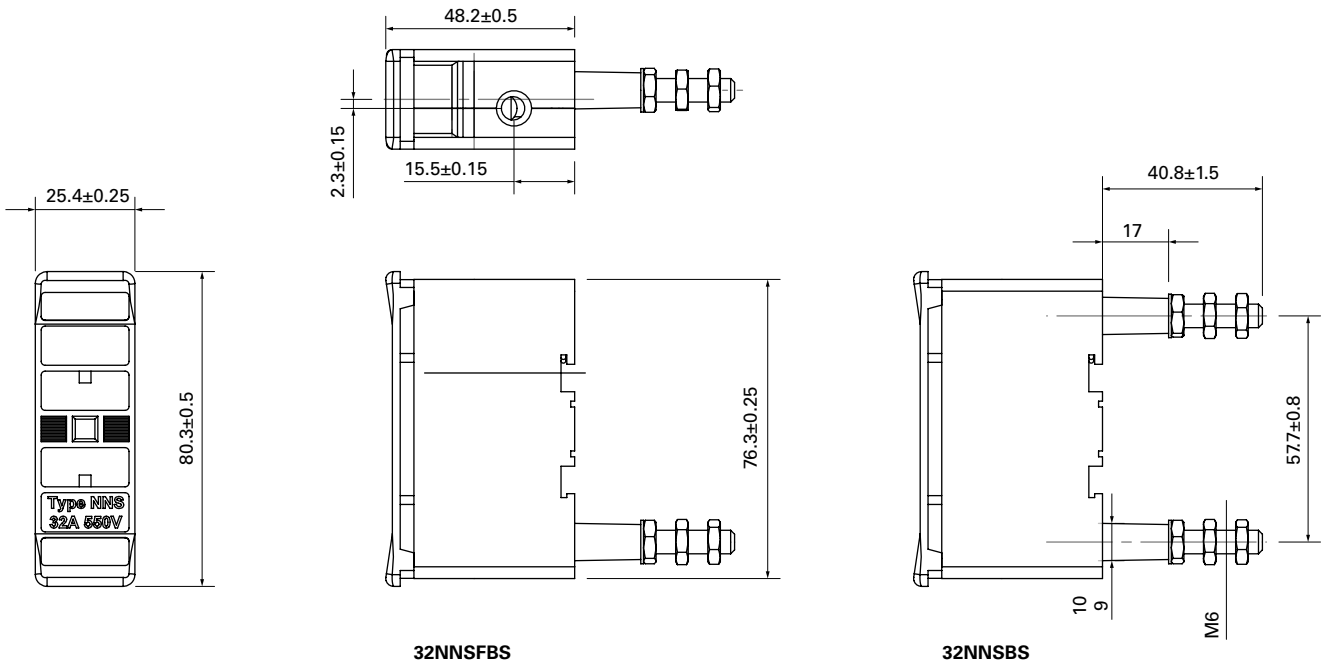
One back stud
32NNSFBSWHITE



Two back studs
32NNSBSWHITE

Safeloc fuse holders

Dimensions - mm



32NNSFBSWHITE
Front connected/back stud



32NNSBS
Back stud/back stud

1.3

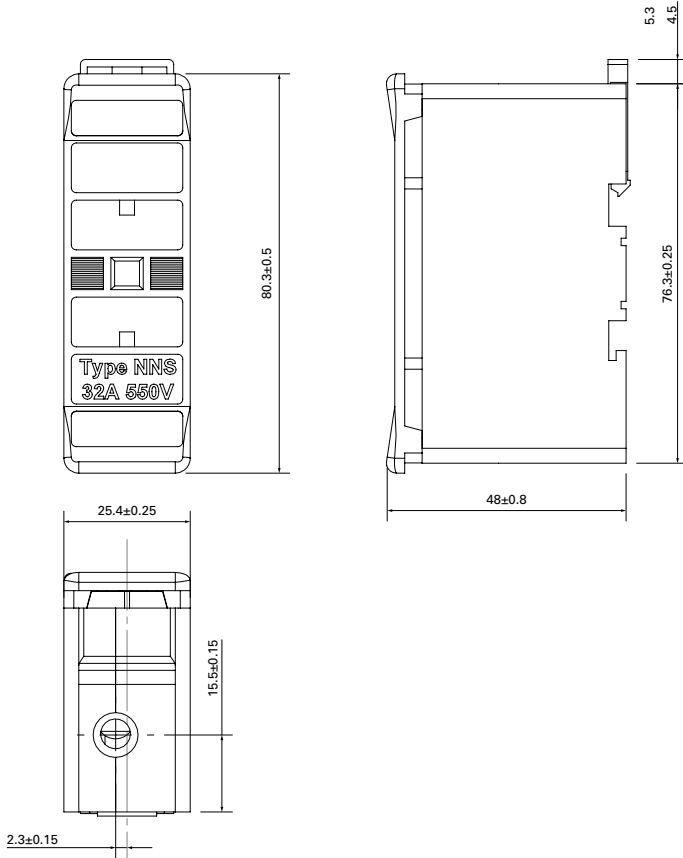
BS88 Fuse holders

Safeloc fuse holders

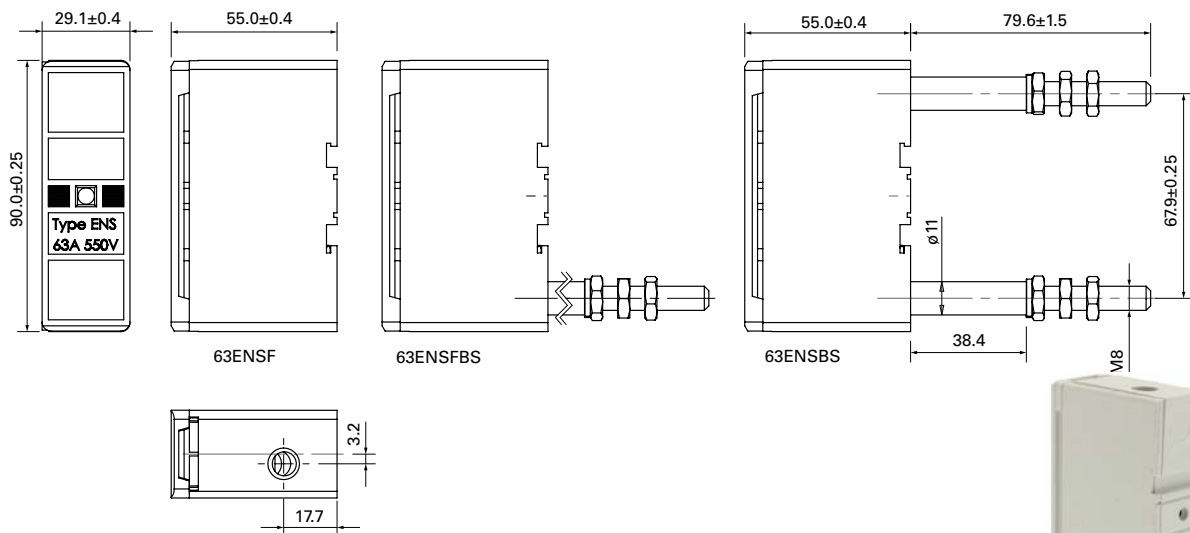
Safeloc fuse holders

Dimensions - mm

32NNSF



Front connected/front connected



63ENSFWHITE
Front connected/front connected

Safeclip fuse holders

Specifications

Description

BS Fuse holders specifically designed to fit BS fuse links.

Technical data

Rated voltage: 550 V a.c.
Rated current: 20 to 125 A

Standard/agency information

BS88 and IEC 60269-1



Product selection

Catalogue numbers	Description	Colour	Rated current (Amps)	Rated voltage	Minimum conductor size (mm ²)	Maximum conductor size (mm ²)	Pack quantity	Compatible fuse links
SC20H	Front connected	Black	20	550 V a.c.	0.5	16	10	SSD
SC20HWH	Front connected	White	20	550 V a.c.	0.5	16	10	SSD
SC20HGN	Front connected	Green	20	550 V a.c.	0.5	16	10	SSD
SC20P	Back stud connected	Black	20	550 V a.c.	0.5	16	10	SSD
SC20PWH	Back stud connected	White	20	550 V a.c.	0.5	16	10	SSD
SC20PGN	Back stud connected	Green	20	550 V a.c.	0.5	16	10	SSD
SC20BH	Busbar/front connected	Black	20	550 V a.c.	0.5	16	10	SSD
SC32H-D	Front connected	Black	32	550 V a.c.	0.5	16	10	NSD
SC32H-DWH	Front connected	White	32	550 V a.c.	0.5	16	10	NSD
SC32H-DGN	Front connected	Green	32	550 V a.c.	0.5	16	10	NSD
SC32P	Back stud connected	Black	32	550 V a.c.	0.5	16	10	NSD
SC32PWH	Back stud connected	White	32	550 V a.c.	0.5	16	10	NSD
SC32PGN	Back stud connected	Green	32	550 V a.c.	0.5	16	10	NSD
SC32BH	Busbar/front connected	Black	32	550 V a.c.	0.5	16	10	NSD
SC32PH-D	Front/back stud connected	Black	32	550 V a.c.	0.5	16	10	NSD
SC32PH-DWH	Front/back stud connected	White	32	550 V a.c.	0.5	16	10	NSD
SC63H-D	Front connected	Black	63	550 V a.c.	2.5	25	10	ESD
SC63H-DWH	Front connected	White	63	550 V a.c.	2.5	25	10	ESD
SC63P	Back stud connected	Black	63	550 V a.c.	2.5	25	10	ESD
SC63BH	Busbar/front connected	Black	63	550 V a.c.	2.5	25	10	ESD
SC100H	Front connected	Black	100	550 V a.c.	2.5	50	5	OSD
SC125H-D	Front connected	Black	125	550 V a.c.	2.5	70	1	XS



Front connected
SC20H



Front/Back stud connected
SC32PH-D



Back stud connected
SC20P



Busbar/Front connected
SC32BH

Data sheet: 10137

1.3

BS88 Fuse holders

Safeclip fuse holders

Safeclip fuse holders

Accessories

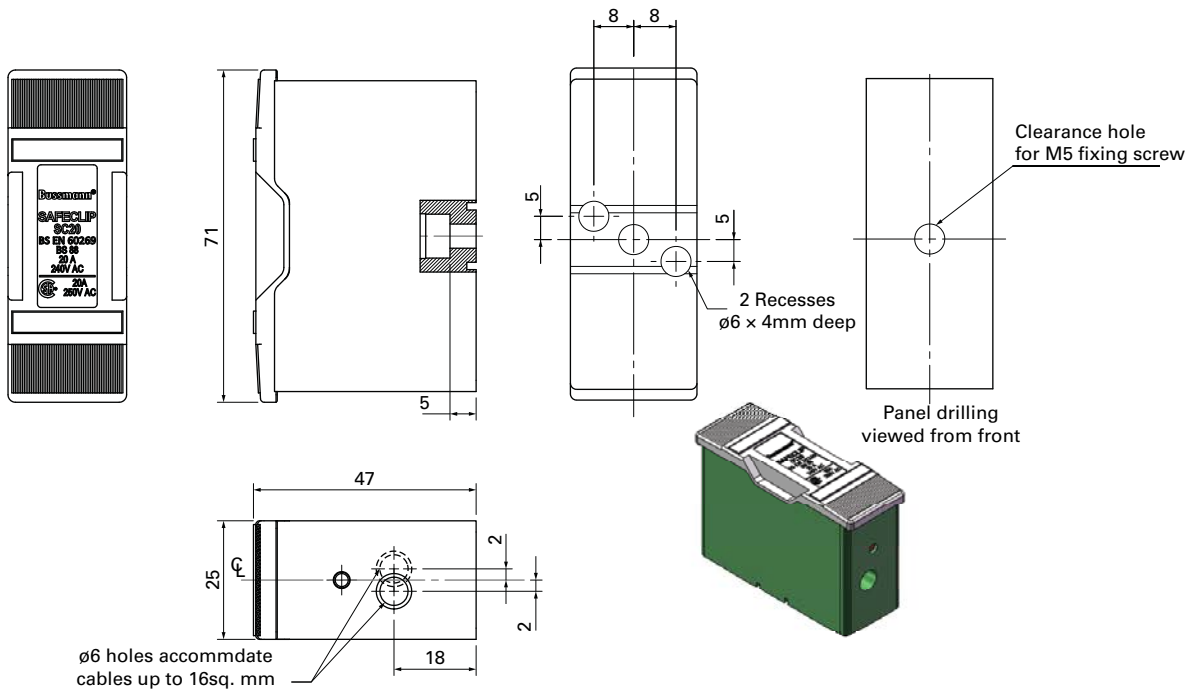
Catalogue numbers	Type	To be used with fuse links	To be used with fuse holders	Pack quantity
SSC-LINK	Copper links	N/A	SC20	10
NSC-LINK	Copper links	N/A	SC32	10
ESC-LINK	Copper links	N/A	SC63	10
OSC-LINK	Copper links	N/A	SC100	10
XSC-LINK	Copper links	N/A	SC125	10
SC32LOCK	Padlockable inserts	N/A	SC32	10
SC63LOCK	Padlockable inserts	N/A	SC63	10
SCA63CAR	Adaptor carrier	NS	SC63	10
DIN-20-32	DIN-Rail adaptor*	N/A	SC20 and RS20	10

* To fit NS fuses in SC63 holder



Dimensions - mm

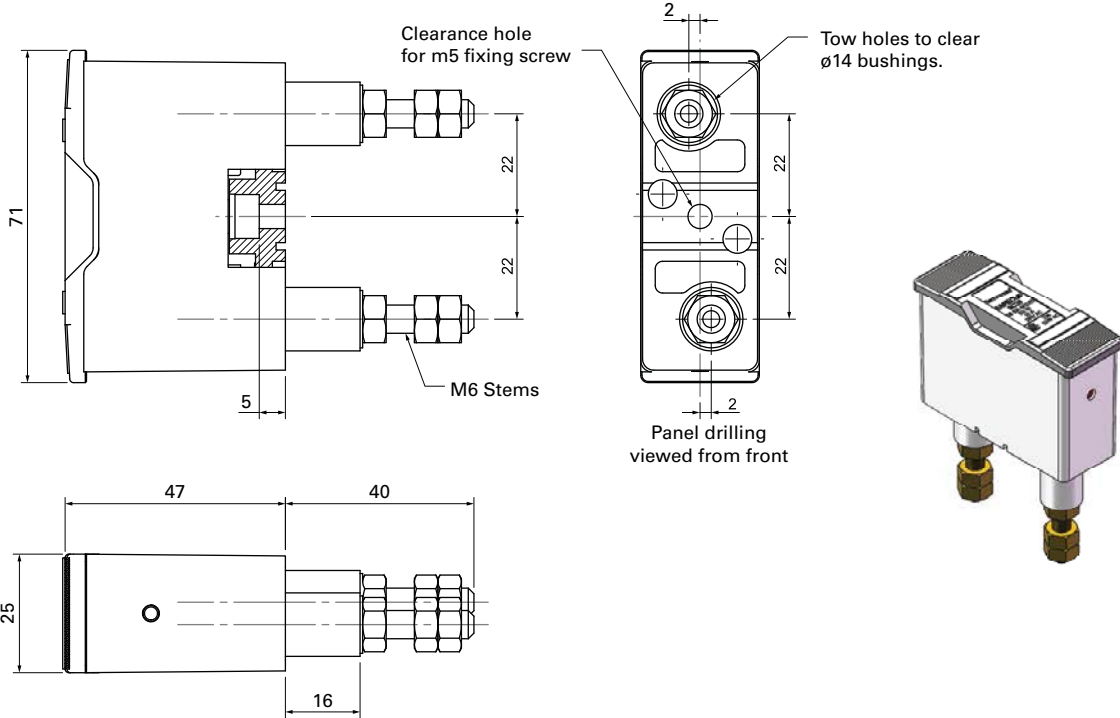
SC20H 20 A, Front connected



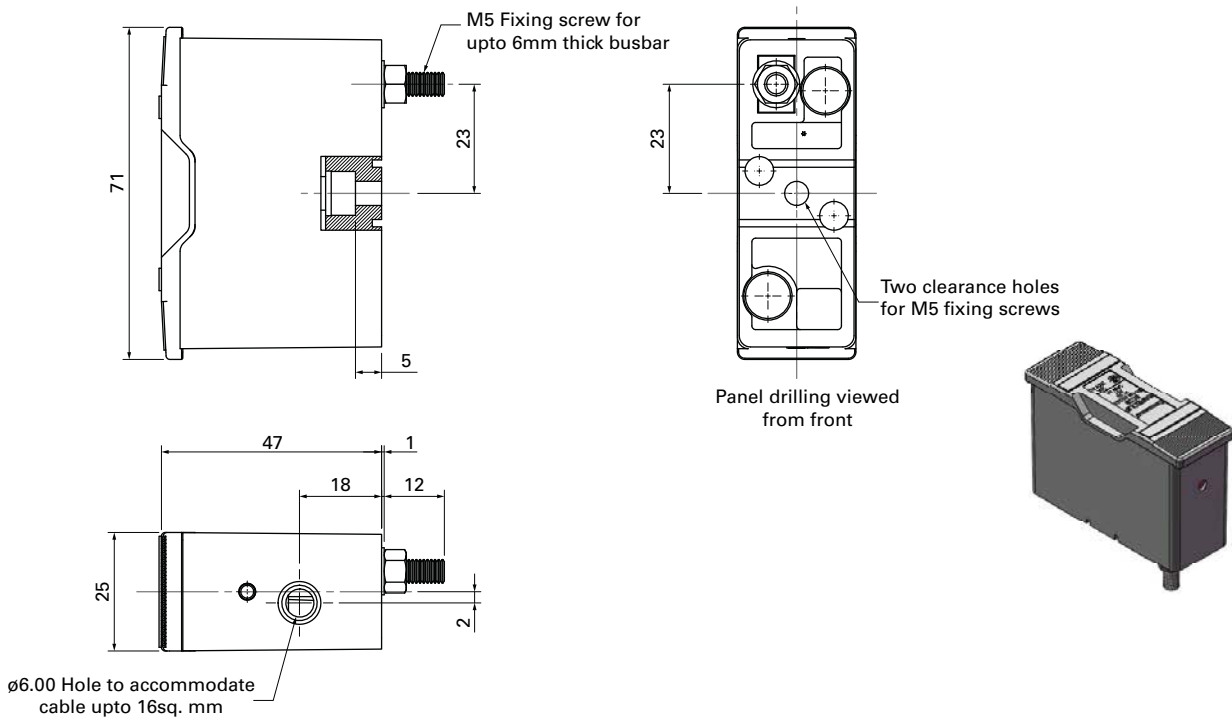
Safeclip fuse holders

Dimensions - mm

SC20P 20 A, Back stud connected



SC20BH 20 A, Busbar/front connected



1.3

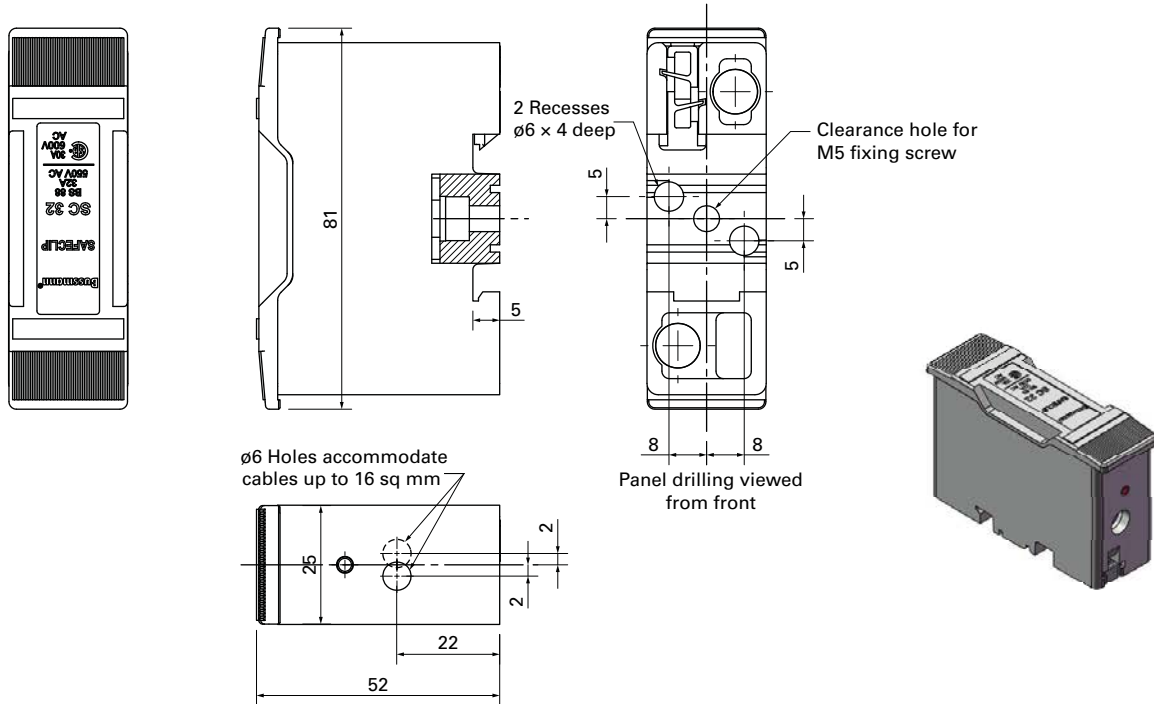
BS88 Fuse holders

Safeclip fuse holders

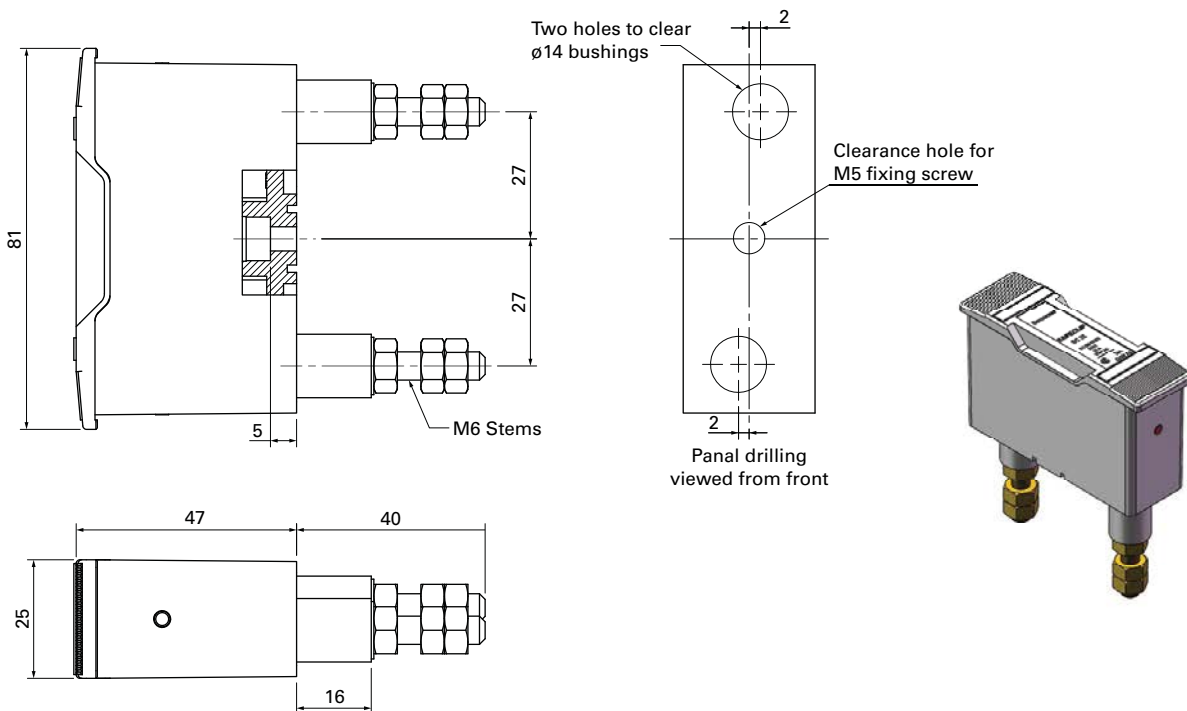
Safeclip fuse holders

Dimensions - mm

SC32H-D 32 A, Front connected



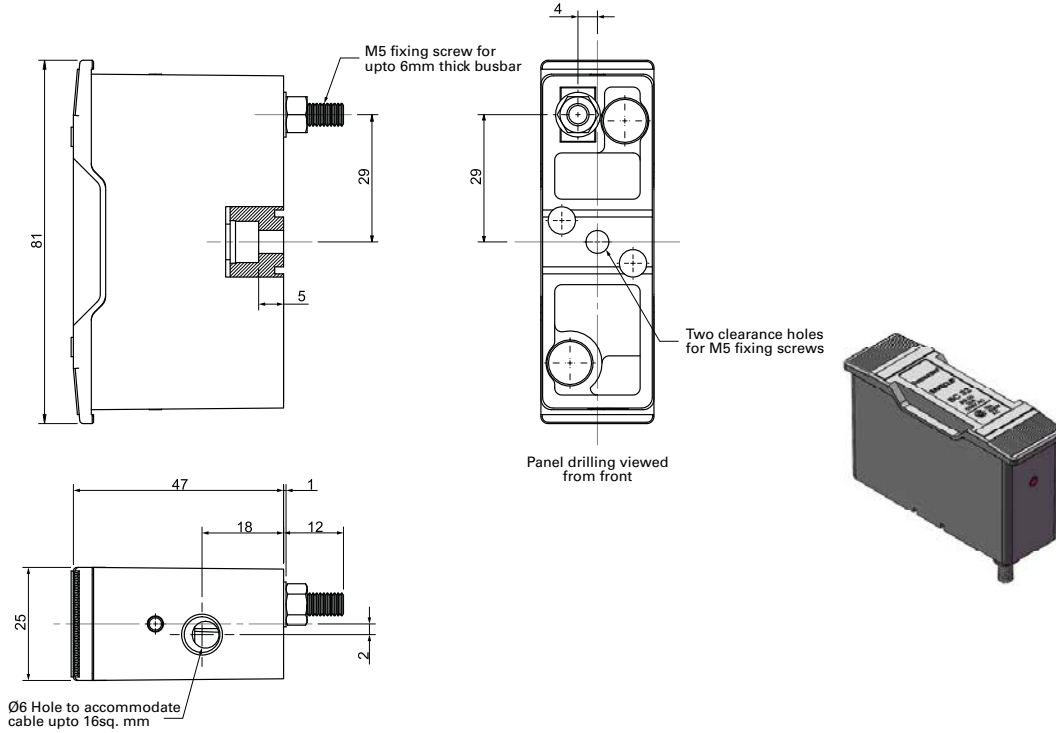
SC32P 32 A, Back stud connected



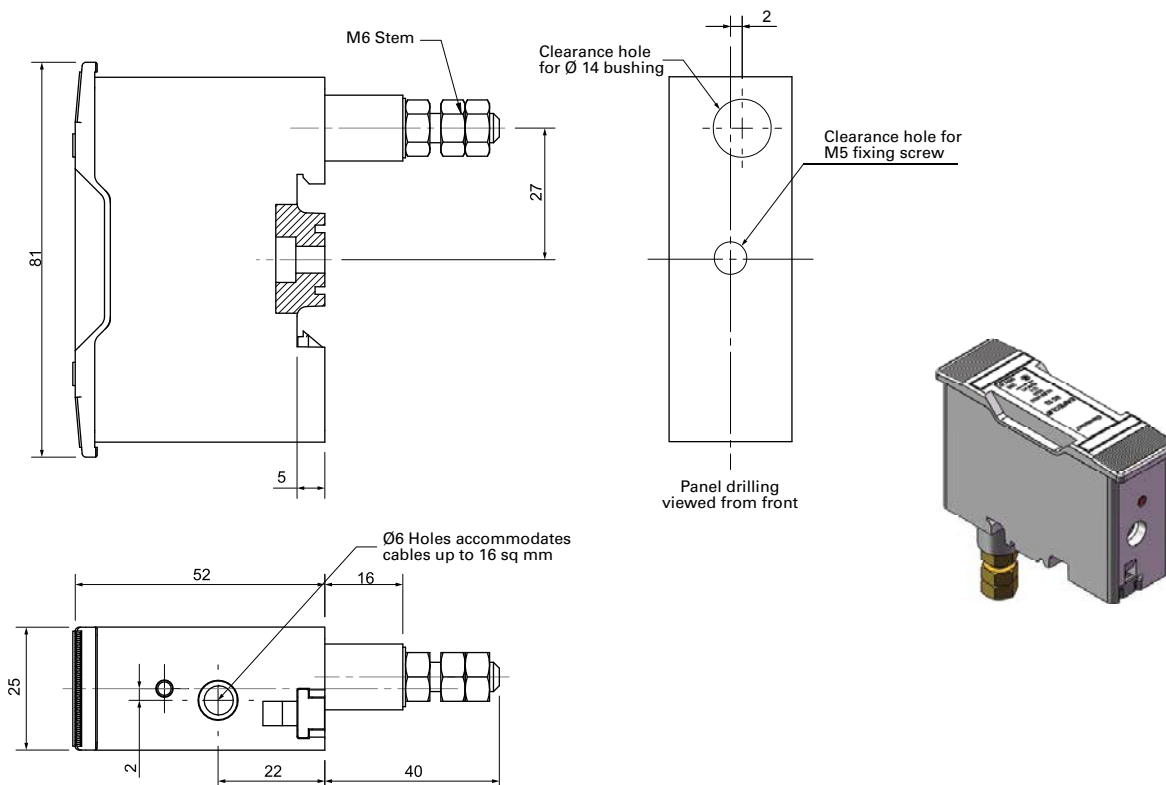
Safeclip fuse holders

Dimensions - mm

SC32BH 32 A, Busbar/Front connected



SC32PH-D 32 A, Front/Back stud connected



Data sheet: 10137

1.3

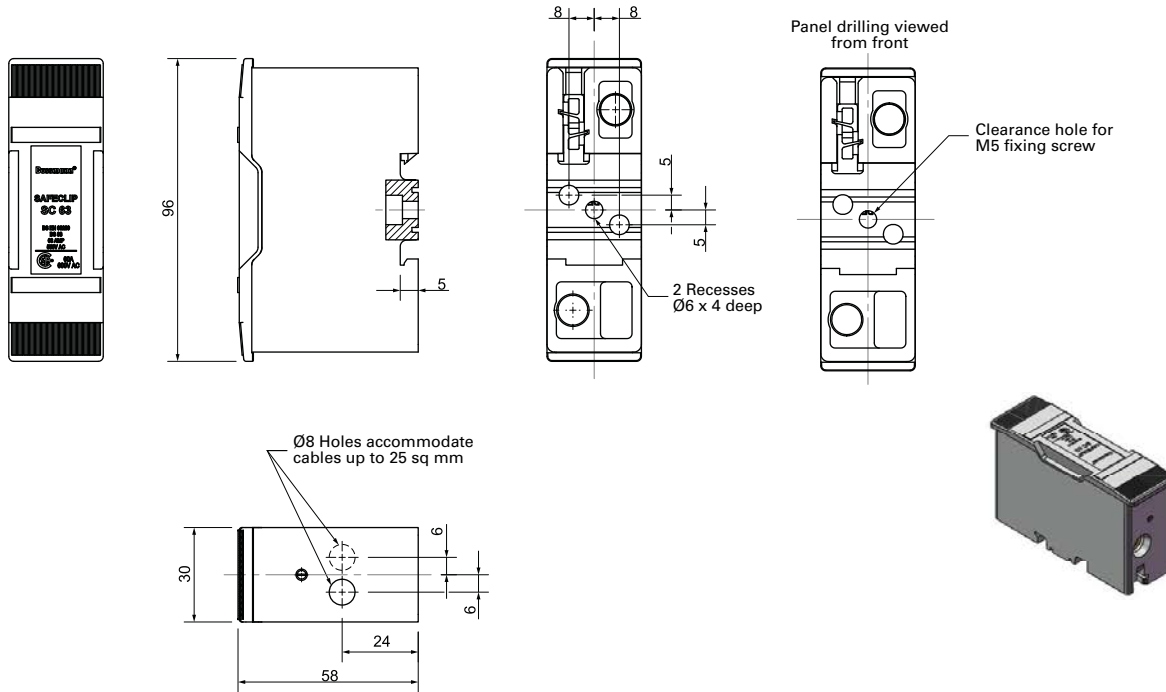
BS88 Fuse holders

Safeclip fuse holders

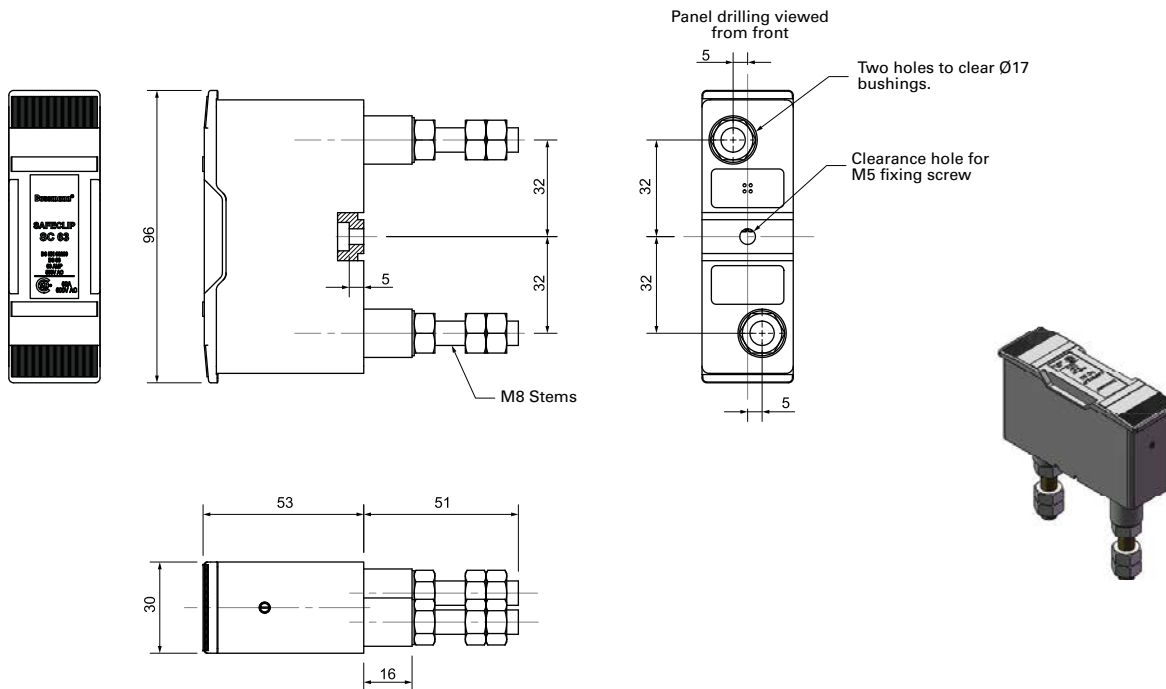
Safeclip fuse holders

Dimensions - mm

SC63H-D 63 A, Front connected



SC63P 63 A, Back stud connected

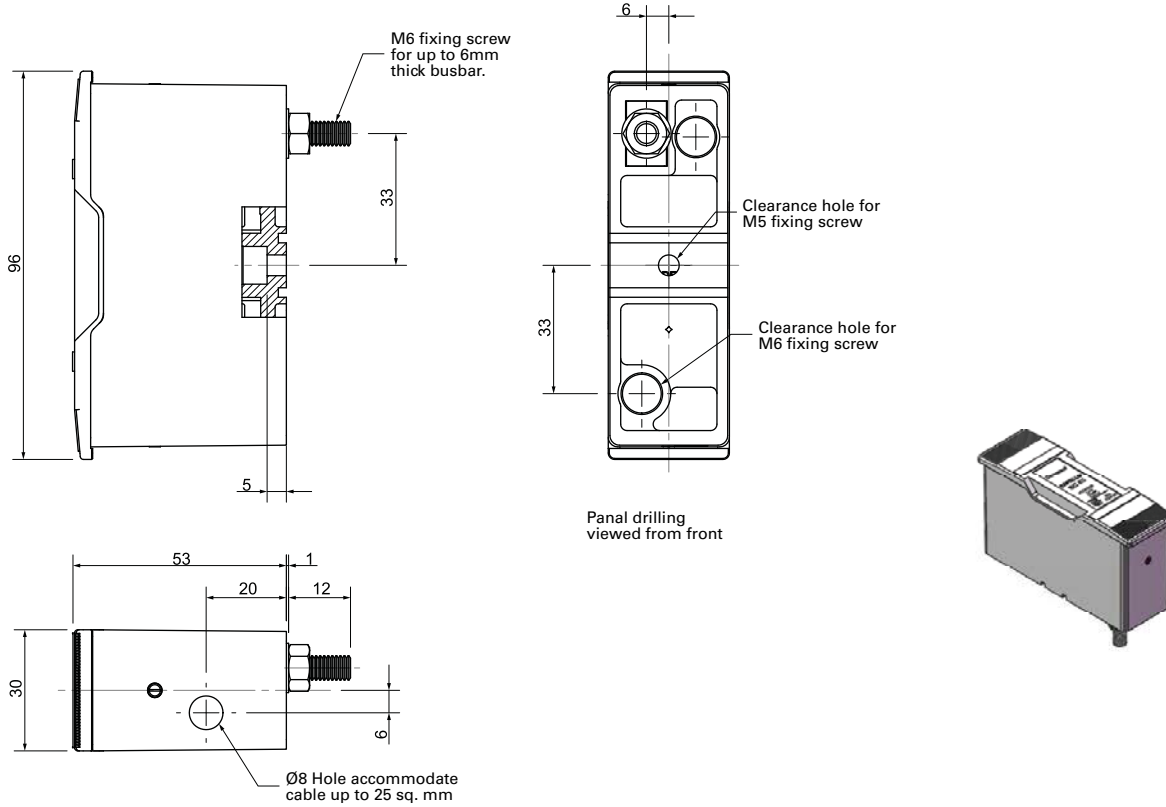


Data sheet: 10137

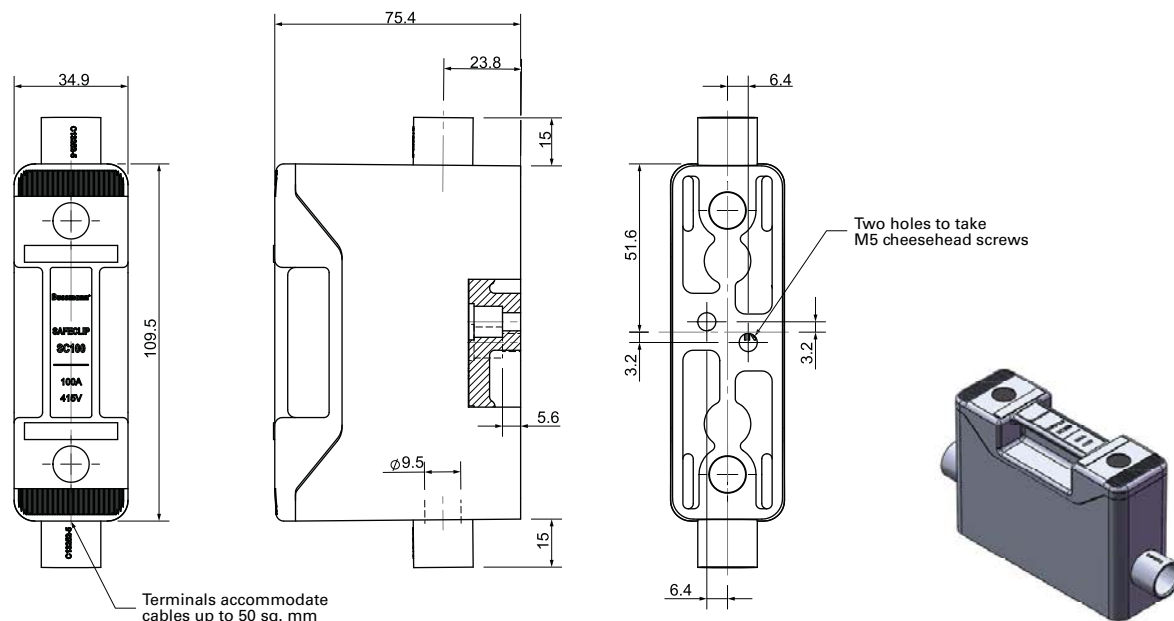
Safeclip fuse holders

Dimensions - mm

SC63BH 63 A Busbar/front connected



SC100H 100 A, Front connected



1.3

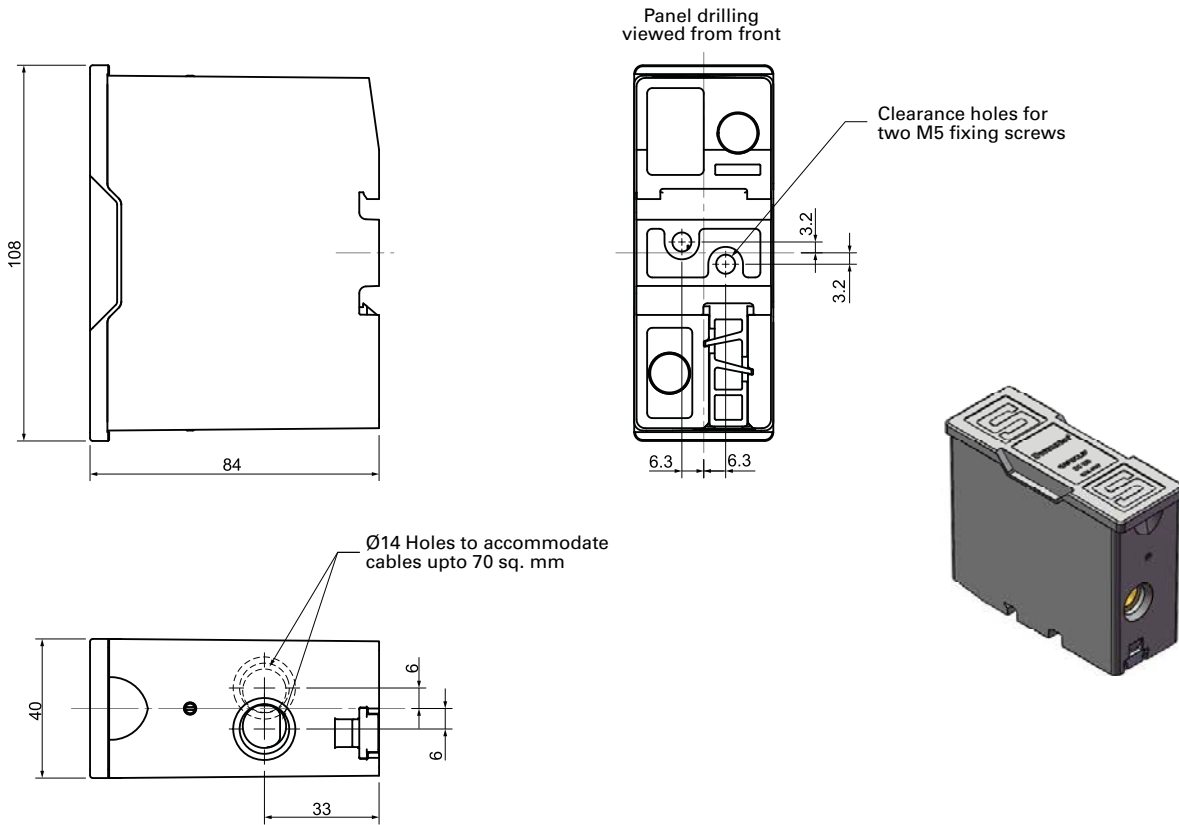
BS88 Fuse holders

Safeclip fuse holders

Safeclip fuse holders

Dimensions - mm

SC125H-D 125 A, Front connected



Red spot fuse holders

Specifications

Description

BS Fuse holders specifically designed to fit BS fuse links.

Technical data

Rated voltage: 660-690 V a.c. / 460 V d.c.

Rated current: 20 to 400 A

Standard/agency information

BS88 and IEC 60269-1

Product selection



Catalogue number	Description	Colour	Rated current (Amps)	Rated voltage	Minimum conductor size (mm ²)	Maximum conductor size (mm ²)	Pack quantity	Compatible fuse links
RS20H	Front connected	Black	20	660-690 V a.c./460 V d.c.	1	10	10	NITD*, NIT
RS20HWH	Front connected	White	20	660-690 V a.c./460 V d.c.	1	10	10	NITD*, NIT
RS20HGN	Front connected	Green	20	660-690 V a.c./460 V d.c.	1	10	10	NITD*, NIT
RS20HGY	Front connected	Grey	20	660-690 V a.c./460 V d.c.	1	10	10	NITD*, NIT
RS20P-G	Back stud connected	Black	20	660-690 V a.c./460 V d.c.	1	10	10	NITD*, NIT
RS20P-GWH	Back stud connected	White	20	660-690 V a.c./460 V d.c.	1	10	10	NITD*, NIT
RS20P-GGN	Back stud connected	Green	20	660-690 V a.c./460 V d.c.	1	10	10	NITD*, NIT
RS20P-GGY	Back stud connected	Grey	20	660-690 V a.c./460 V d.c.	1	10	10	NITD*, NIT
RS20PH-G	Front/back stud connected	Black	20	660-690 V a.c./460 V d.c.	1	10	10	NITD*, NIT
RS20F	Back stud connected, flush mounted	Black	20	660-690 V a.c./460 V d.c.	1	10	10	NITD*, NIT
RS20FWH	Back stud connected, flush mounted	White	20	660-690 V a.c./460 V d.c.	1	10	10	NITD*, NIT
RS20FGN	Back stud connected, flush mounted	Green	20	660-690 V a.c./460 V d.c.	1	10	10	NITD*, NIT
RS20FGY	Back stud connected, flush mounted	Grey	20	660-690 V a.c./460 V d.c.	1	10	10	NITD*, NIT
RS32H	Front connected	Black	32	660-690 V a.c./460 V d.c.	1	16	10	TIA, AAO, H07-660
RS32HWH	Front connected	White	32	660-690 V a.c./460 V d.c.	1	16	10	TIA, AAO, H07-660
RS32HGN	Front connected	Green	32	660-690 V a.c./460 V d.c.	1	16	10	TIA, AAO, H07-660
RS32P	Back stud connected	Black	32	660-690 V a.c./460 V d.c.	1	16	10	TIA, AAO, H07-660
RS32PWH	Back stud connected	White	32	660-690 V a.c./460 V d.c.	1	16	10	TIA, AAO, H07-660
RS32PGN	Back stud connected	Green	32	660-690 V a.c./460 V d.c.	1	16	10	TIA, AAO, H07-660
RS32PH	Front/back stud connected	Black	32	660-690 V a.c./460 V d.c.	1	16	10	TIA, AAO, H07-660
RS63H	Front connected	Black	63	660-690 V a.c./460 V d.c.	4	50	10	TIS, BAO
RS63HWH	Front connected	White	63	660-690 V a.c./460 V d.c.	4	50	10	TIS, BAO
RS63P	Back stud connected	Black	63	660-690 V a.c./460 V d.c.	4	50	10	TIS, BAO
RS63PWH	Back stud connected	White	63	660-690 V a.c./460 V d.c.	4	50	10	TIS, BAO
RS63PH	Front/back stud connected	Black	63	660-690 V a.c./460 V d.c.	4	50	10	TIS, BAO
RS63PHWH	Front/back stud connected	White	63	660-690 V a.c./460 V d.c.	4	50	10	TIS, BAO
RS100H	Front connected	Black	100	660-690 V a.c./460 V d.c.	6	70	5	TCP, CEO
RS100HWH	Front connected	White	100	660-690 V a.c./460 V d.c.	6	70	5	TCP, CEO
RS100P	Back stud connected	Black	100	660-690 V a.c./460 V d.c.	6	70	5	TCP, CEO
RS100PWH	Back stud connected	White	100	660-690 V a.c./460 V d.c.	6	70	5	TCP, CEO
RS100PH	Front/back stud connected	Black	100	660-690 V a.c./460 V d.c.	6	70	5	TCP, CEO

* NITD up to 20 A only

1.3

BS88 Fuse holders

Red spot fuse holders

Red spot fuse holders

Catalogue number	Description	Colour	Rated current (Amps)	Rated voltage	Minimum conductor size (mm ²)	Maximum conductor size (mm ²)	Pack quantity	Compatible fuse links
RS200H	Front connected	Black	200	660-690 V a.c./460 V d.c	10	120	1	TF, DD
RS200HWH	Front connected	White	200	660-690 V a.c./460 V d.c	10	120	1	TF, DD
RS200P	Back stud connected	Black	200	660-690 V a.c./460 V d.c	10	120	1	TF, DD
RS200PWH	Back stud connected	White	200	660-690 V a.c./460 V d.c	10	120	1	TF, DD
RS200PH	Front/back stud connected	Black	200	660-690 V a.c./460 V d.c	10	120	1	TF, DD
RS400H	Front connected	Black	400	660-690 V a.c./460 V d.c	25	240	1	TM, EF
RS400P	Back stud connected	Black	400	660-690 V a.c./460 V d.c	25	240	1	TM, EF
RS400PH	Front/back stud connected	Black	400	660-690 V a.c./460 V d.c	25	240	1	TM, EF

Accessories

Catalogue numbers	Description	Pack quantity	Compatible fuse links	Compatible fuse holders
RS20LOCK	Padlockable inserts	20	N/A	RS20
RS32LOCK	Padlockable inserts	10	N/A	RS32
RS63LOCK	Padlockable inserts	10	N/A	RS63
RS100LOCK	Padlockable inserts	10	N/A	RS100
RS20RED	Red warning carriers	10	N/A	RS20
RS32RED	Red warning carriers	10	N/A	RS32
RS63RED	Red warning carriers	10	N/A	RS63
RS100RED	Red warning carriers	1	N/A	RS100
P5372-10	Fuse link adaptors kits	1	TIA, TIS, AAO, BAO	RS100
TCA2	Fuse link adaptor kits	1	AD, BD, CD, DD, TBC, TC, TF	RS400



RS-LOCK



RS-RED



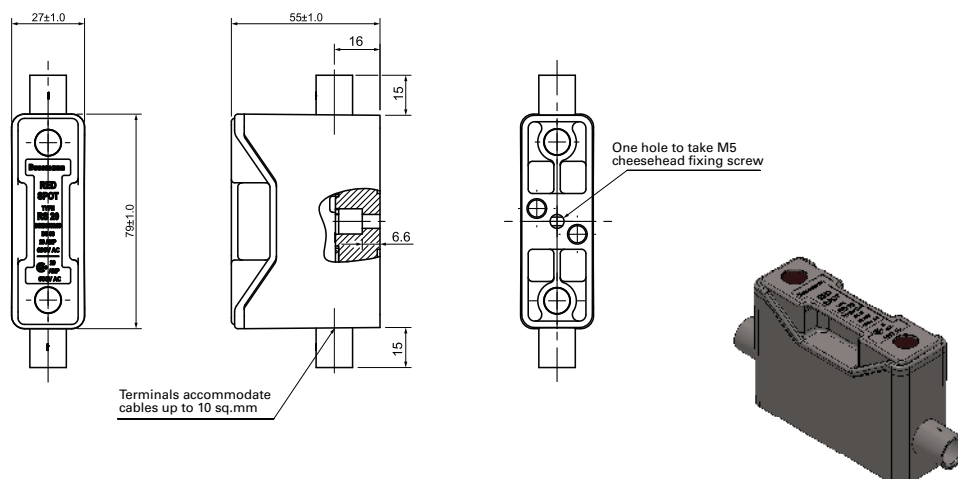
P5372--10



TCA2

Dimensions - mm

RS20H 20 A, Front connected

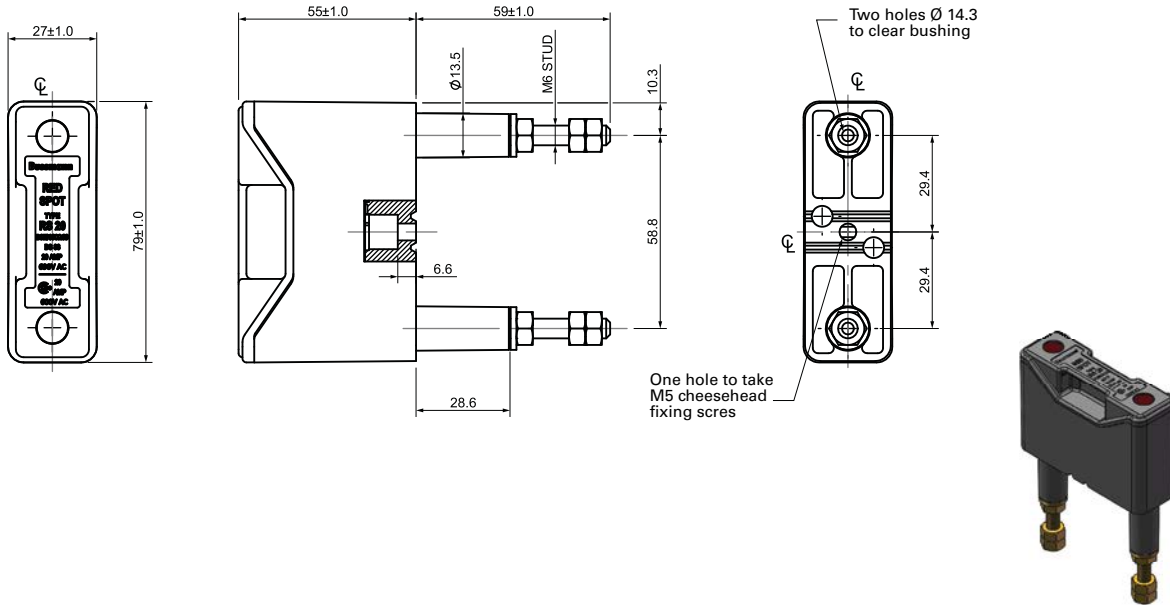


Data sheet: 10024

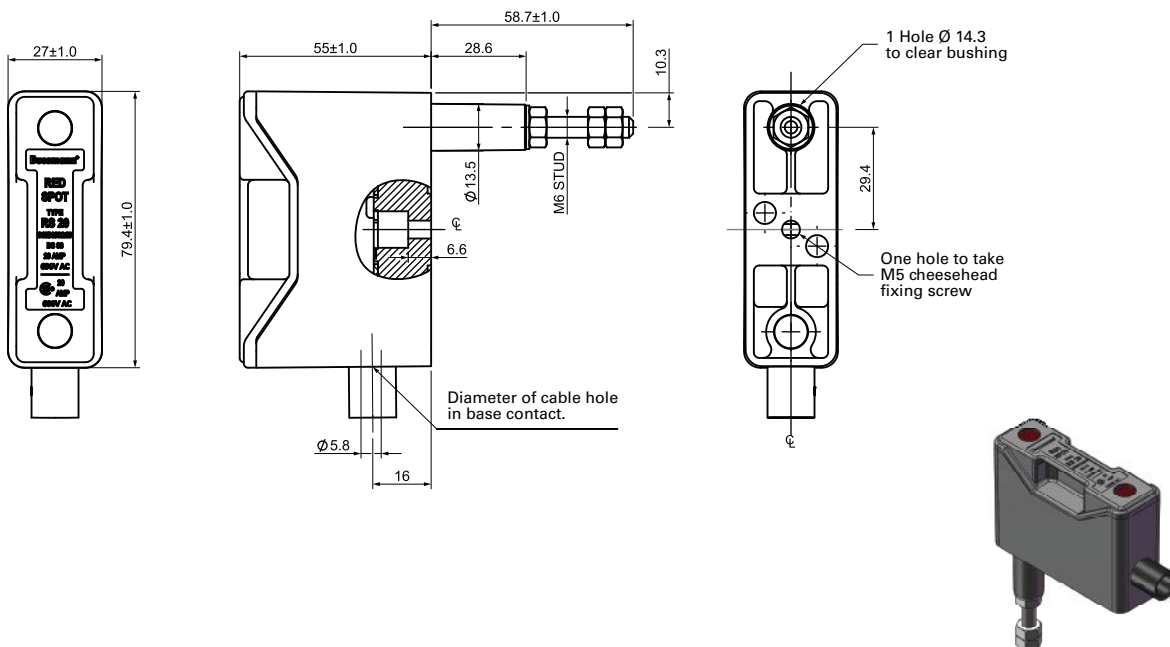
Red spot fuse holders

Dimensions - mm

RS20P-G 20 A, Back stud connected



RS20PH-G 20 A, Front / Back stud connected



1.3

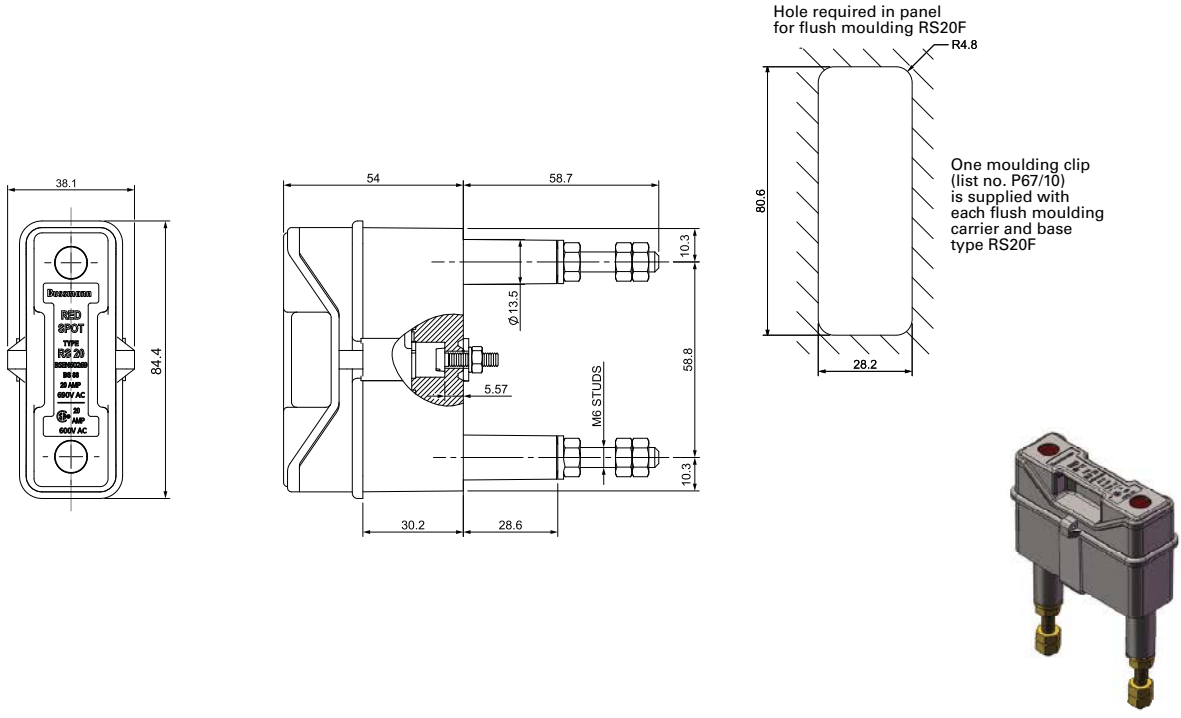
BS88 Fuse holders

Red spot fuse holders

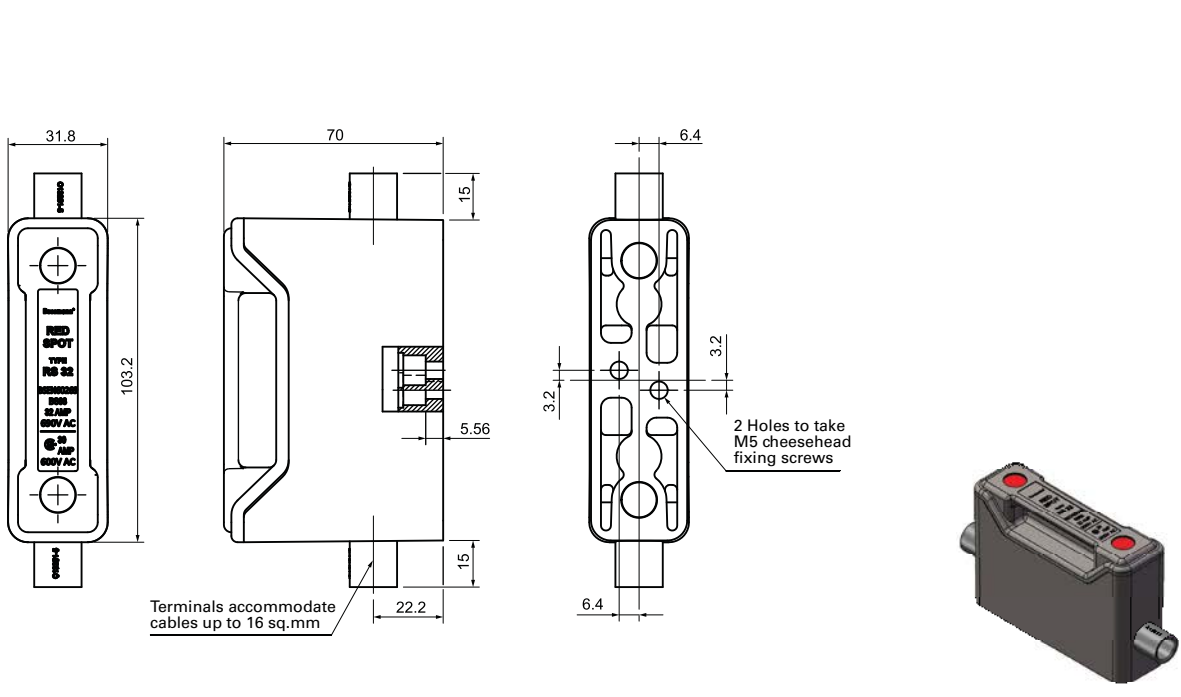
Red spot fuse holders

Dimensions - mm

RS20F 20 A, Back stud connected - Flush mounted



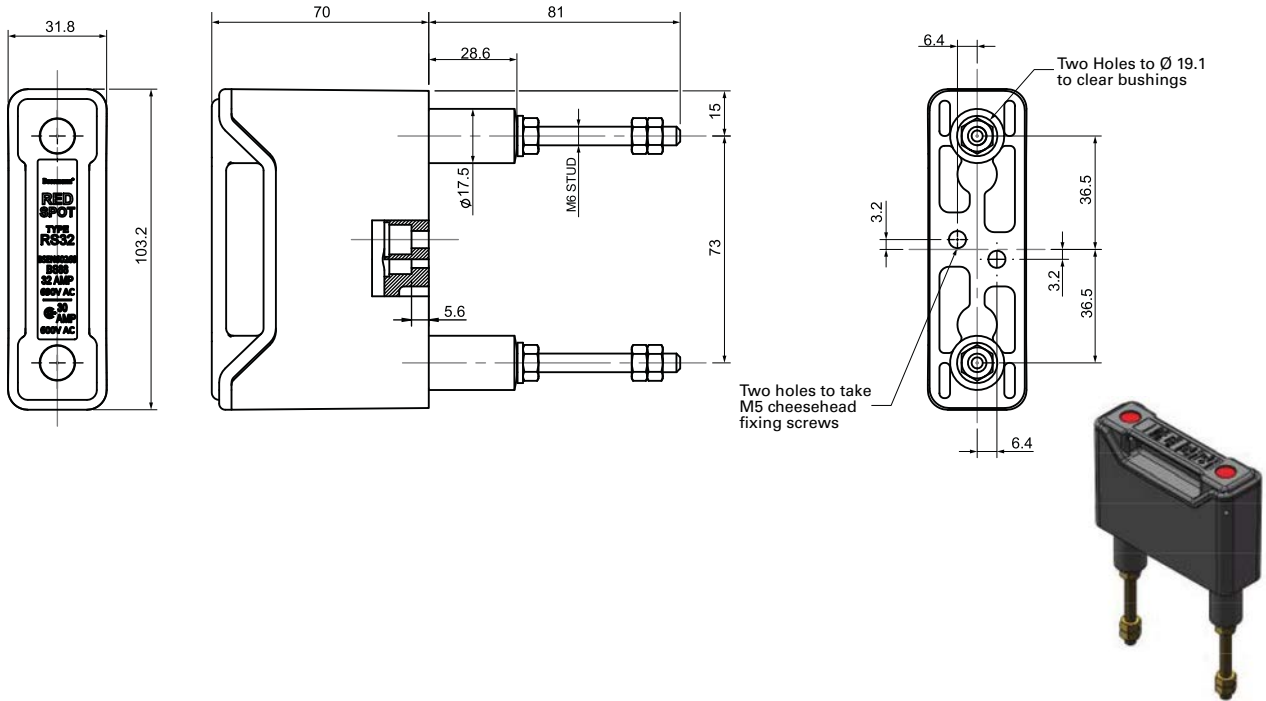
RS32H 32 A, Front connected



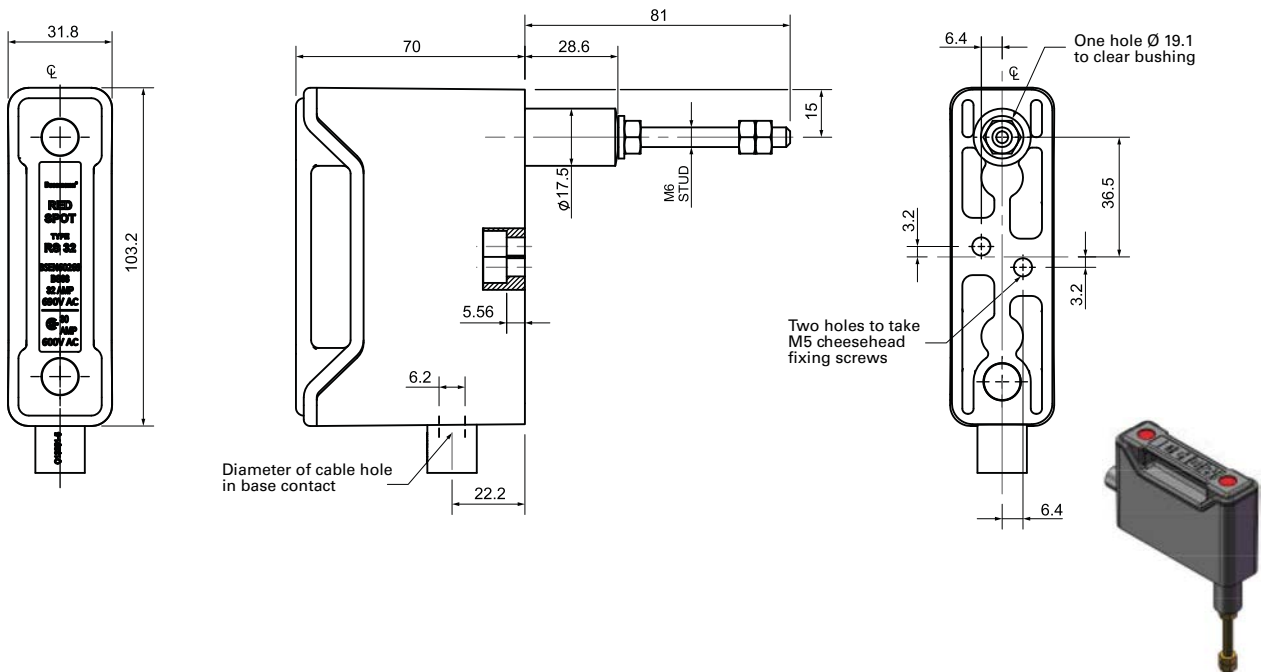
Red spot fuse holders

Dimensions - mm

RS32P 32 A, Back stud connected



RS32PH 32 A, Front / Back stud connected



1.3

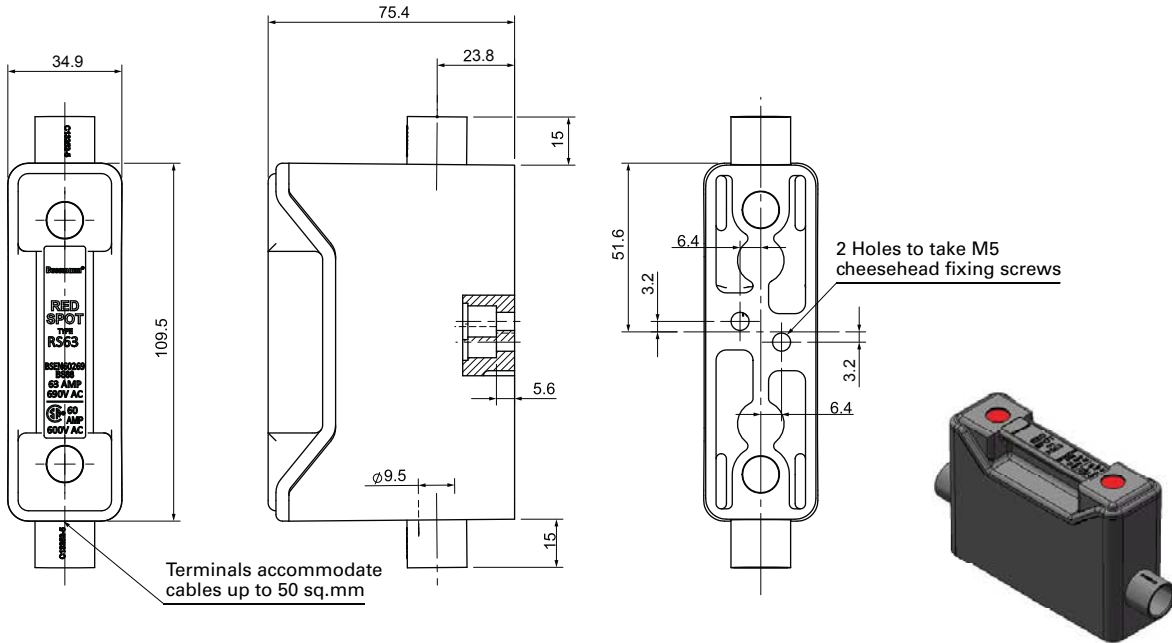
BS88 Fuse holders

Red spot fuse holders

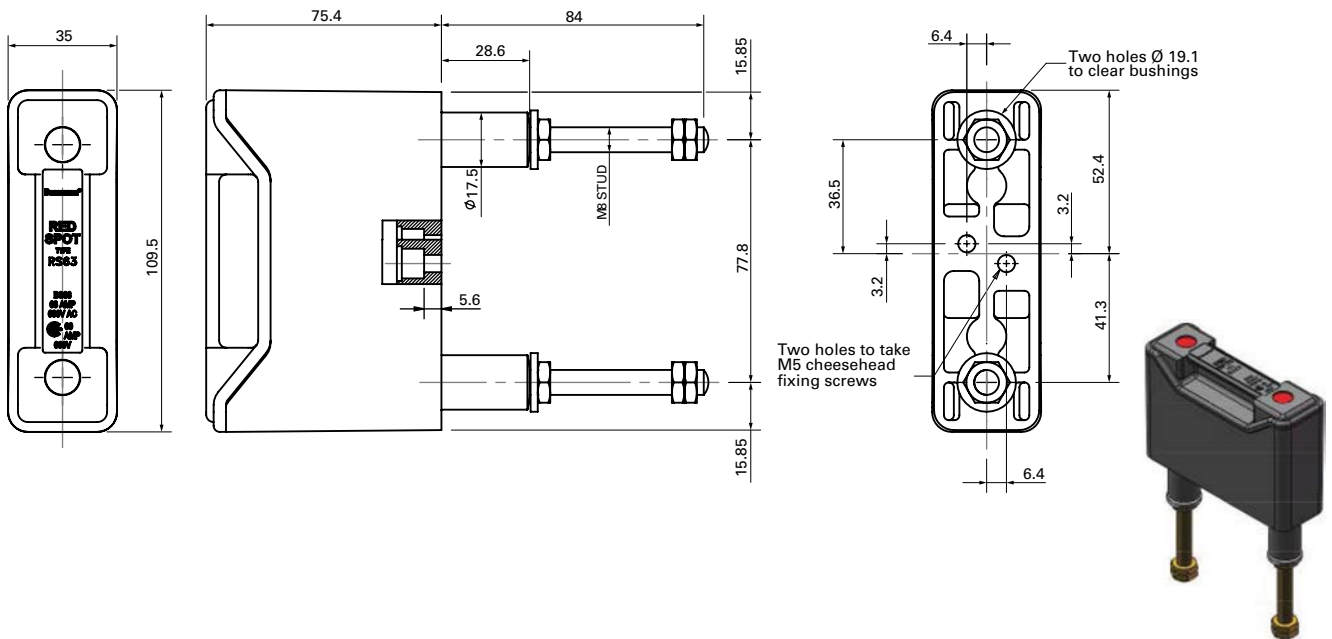
Red spot fuse holders

Dimensions - mm

RS63H 63 A, Front connected



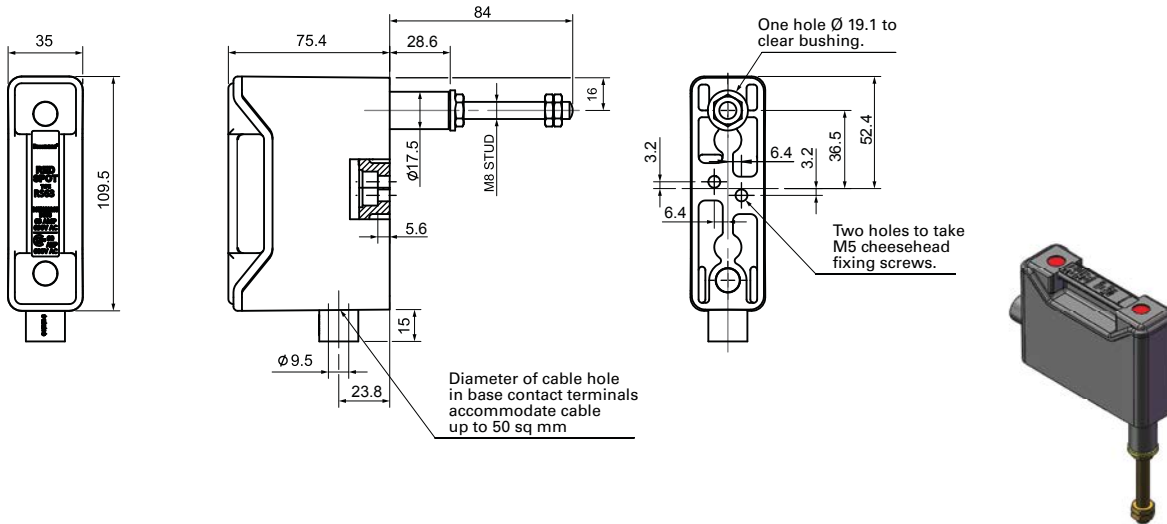
RS63P 63 A, Back stud connected



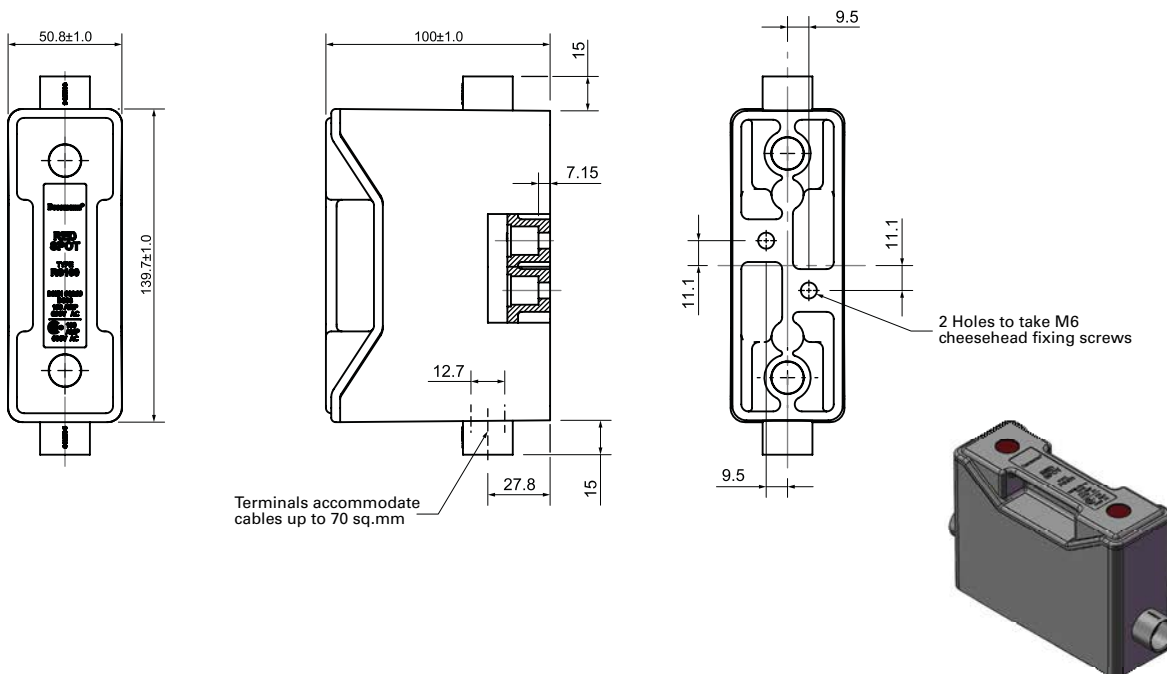
Red spot fuse holders

Dimensions - mm

RS63PH 63 A, Front / back stud connected



RS100H 100 A, Front connected



1.3

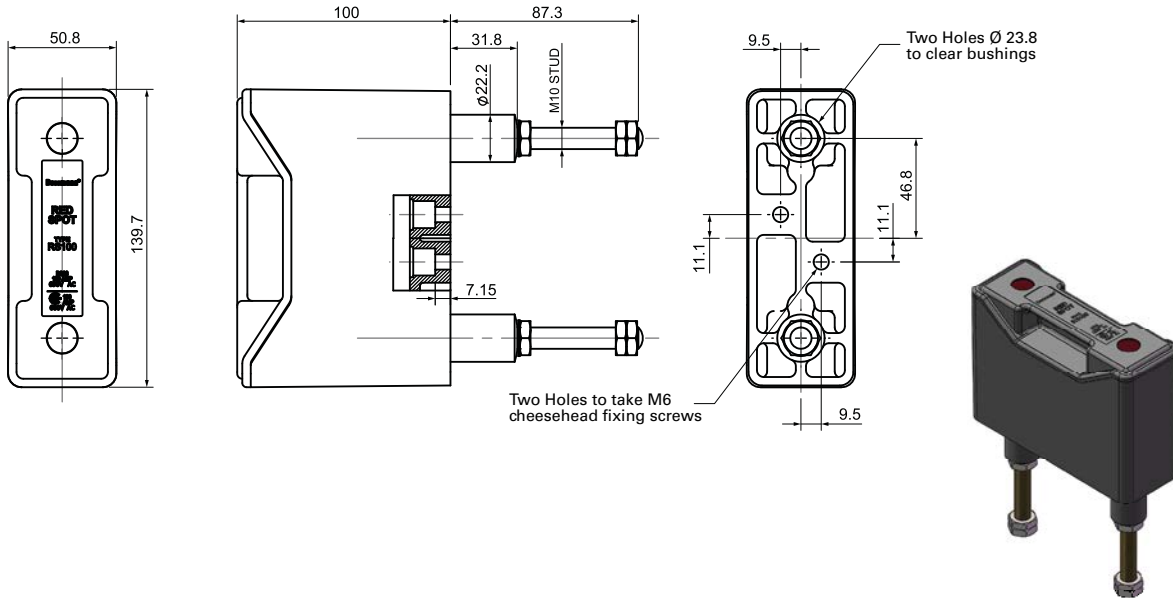
BS88 Fuse holders

Red spot fuse holders

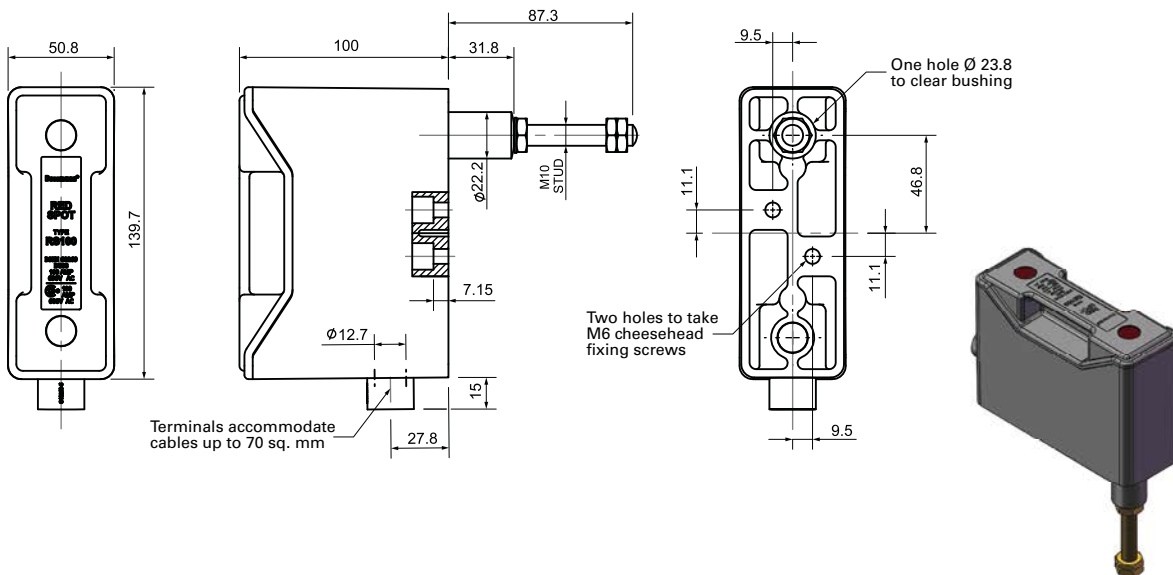
Red spot fuse holders

Dimensions - mm

RS100P 100 A, Back stud connected



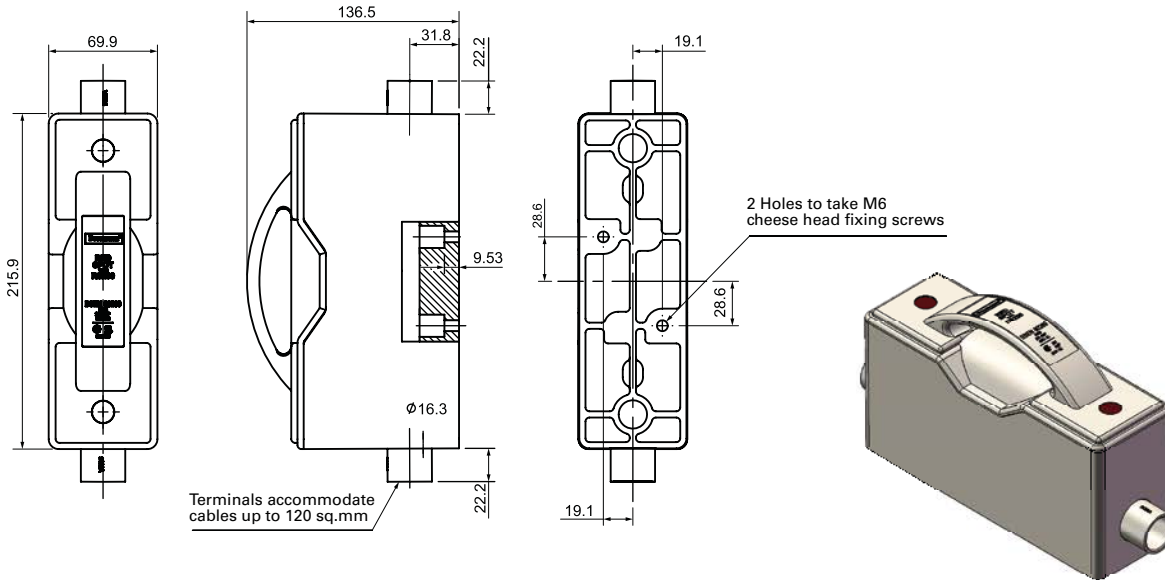
RS100PH 100 A, Front / Back stud connected



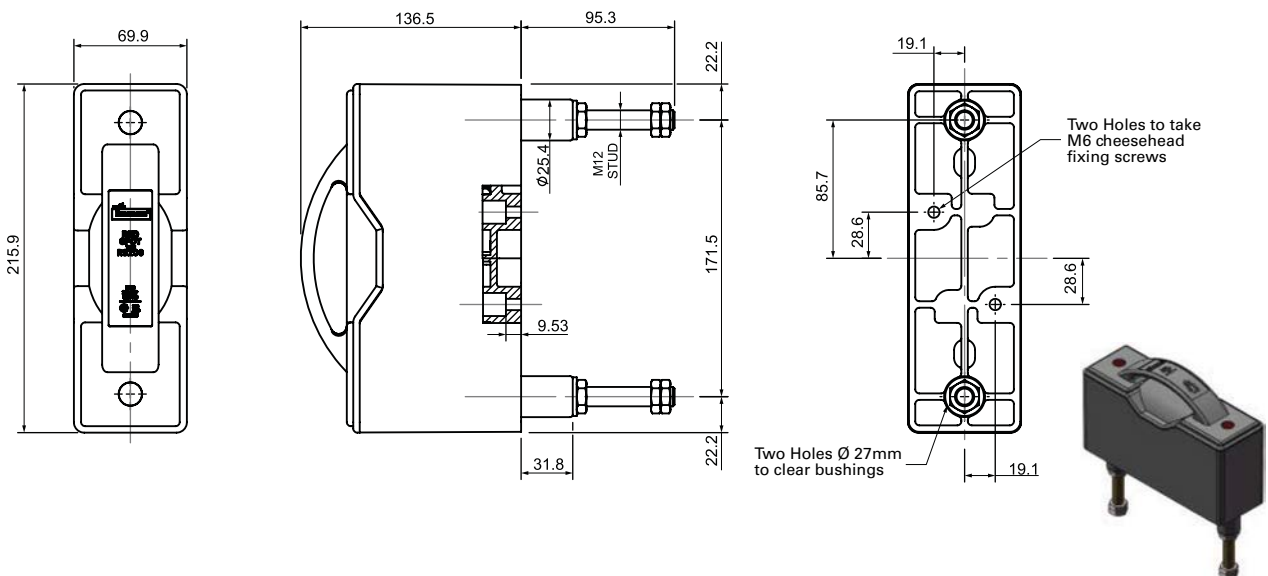
Red spot fuse holders

Dimensions - mm

RS200H 200 A, Front connected



RS200P Back stud connected



1.3

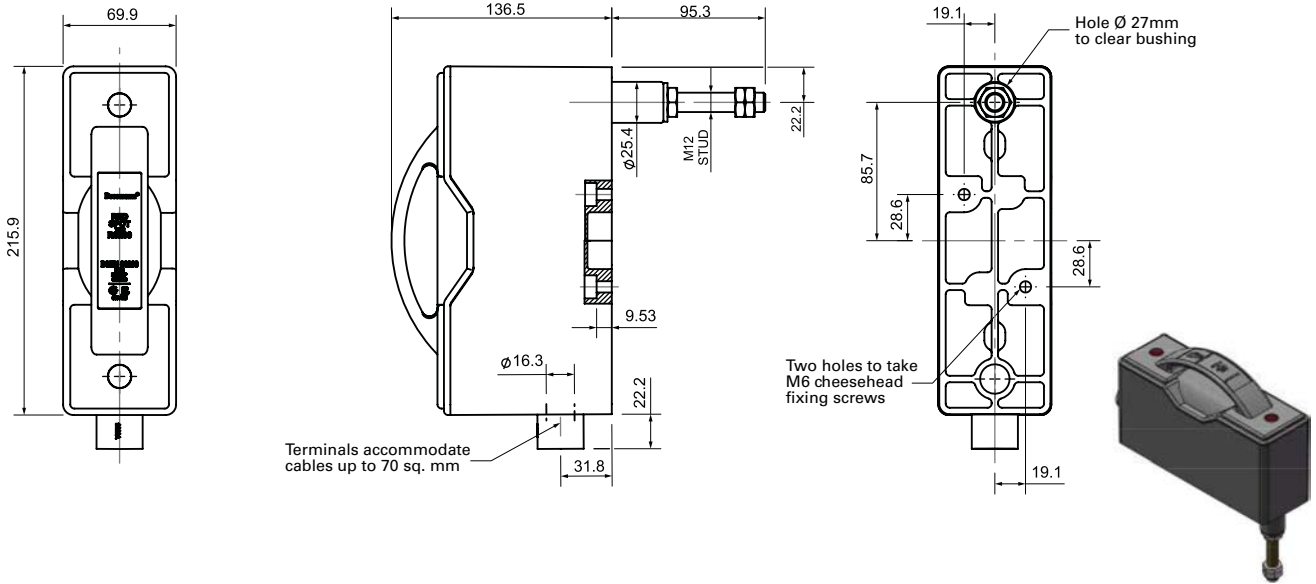
BS88 Fuse holders

Red spot fuse holders

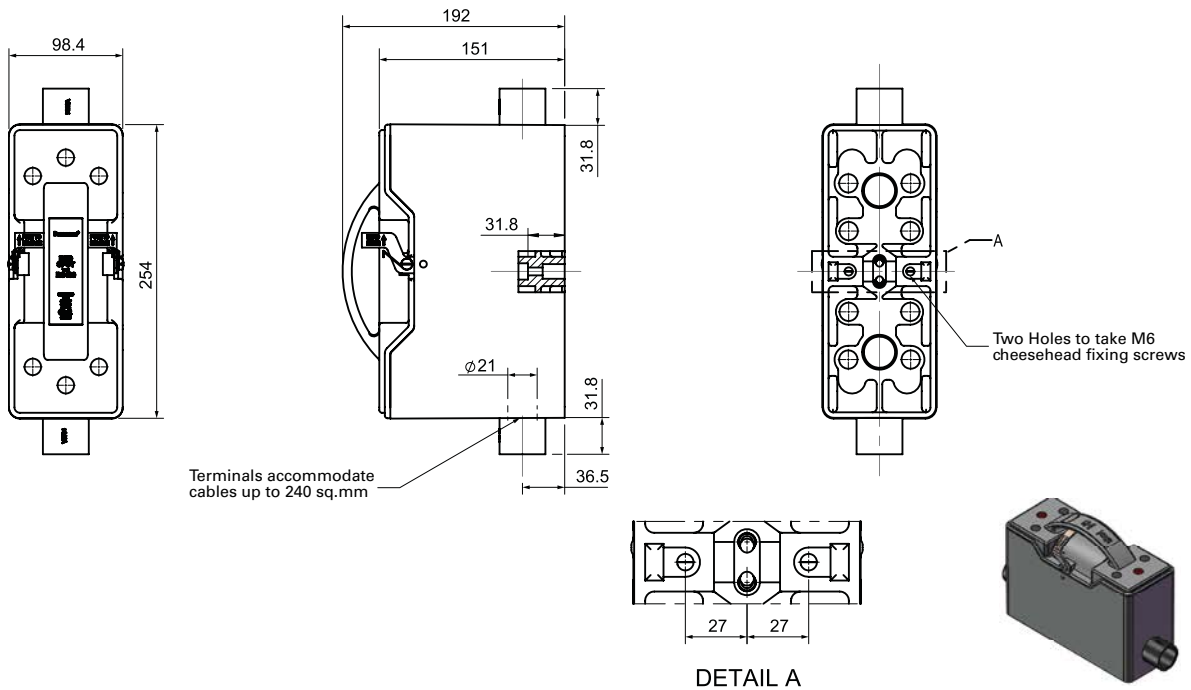
Red spot fuse holders

Dimensions- mm

RS200PH Front/back stud connected



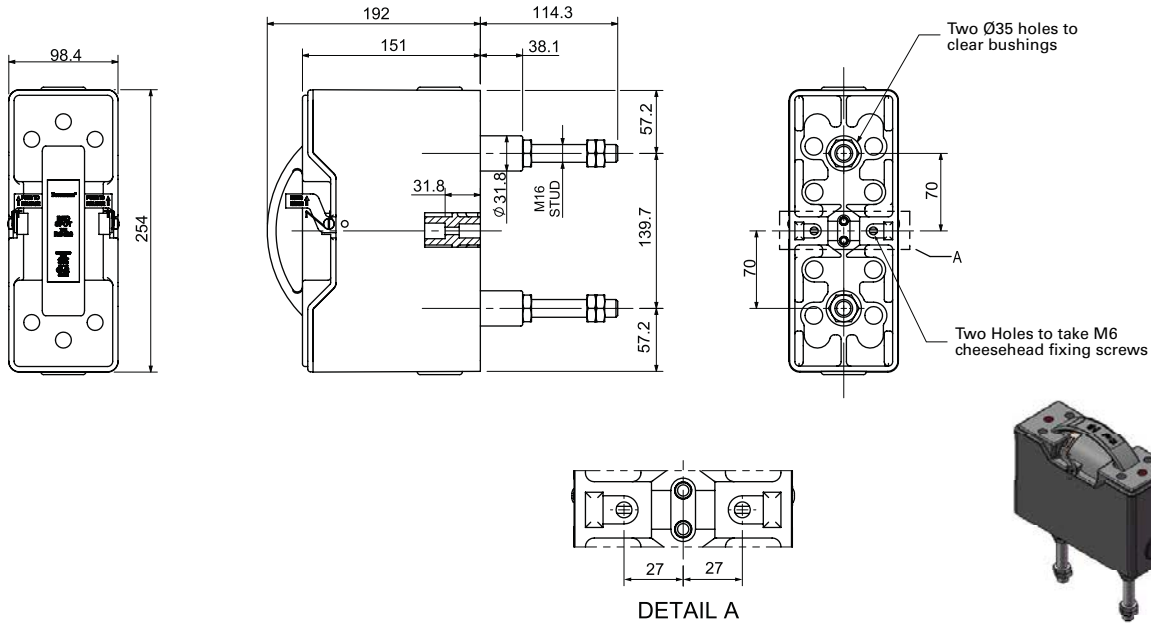
RS400H Front connected



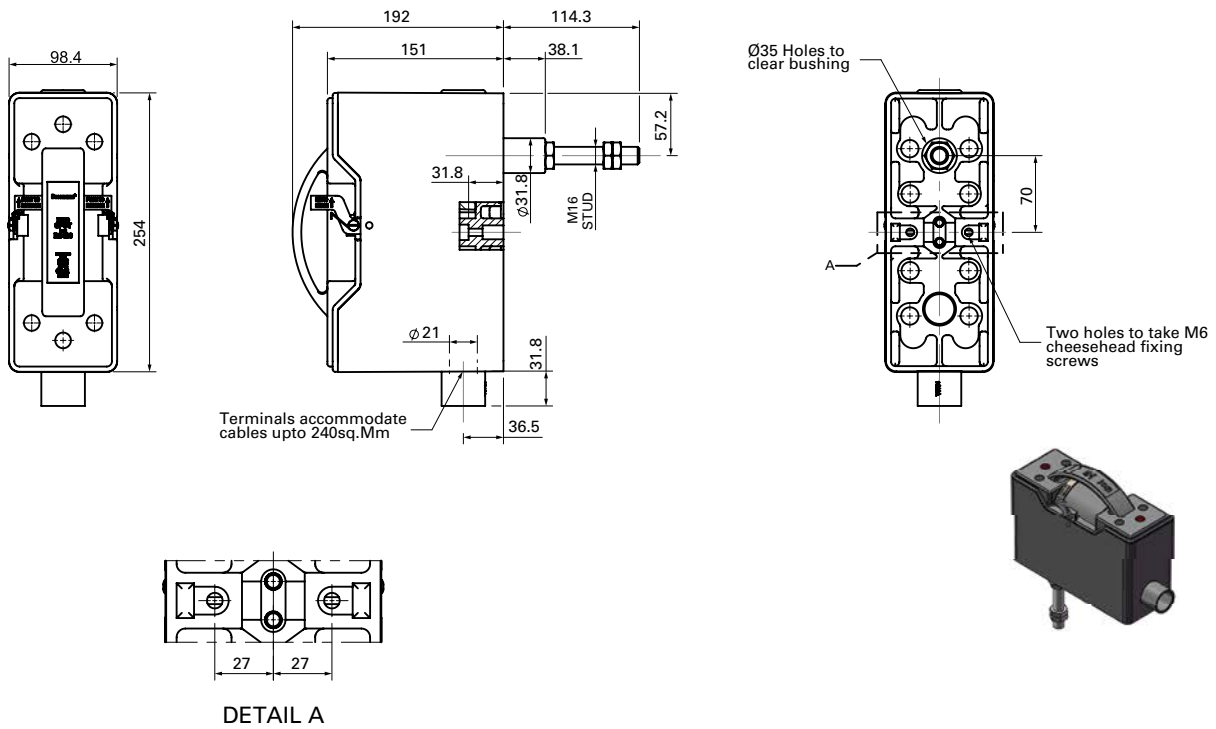
Red spot fuse holders

Dimensions - mm

RS400P Back stud connected



RS400PH Front/back stud connected



1.4

Street lighting applications to BS88

Cylindrical fuse links

Cylindrical fuse links

Specifications

Description

General fuse links for general street lighting applications with Q1 fusing purpose

Technical data

Rated voltage: 415 V a.c.
Rated current: 2 to 32 A
Breaking capacity: 80 kA at 415 V a.c.

Standard/agency information

Meets BS88 Part 1 and 2, IEC 60269 parts 1

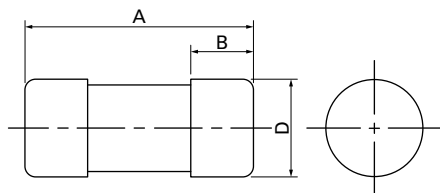
Product selection

SMD, class gG, 415 V a.c., 2 to 32 A



Catalogue number	Rated voltage	Rated current (Amps)	Breaking capacity	Operating class	Pack quantity
SMD2	415 V a.c.	2	80 kA at 415 V a.c.	gG	20
SMD4	415 V a.c.	4	80 kA at 415 V a.c.	gG	20
SMD6	415 V a.c.	6	80 kA at 415 V a.c.	gG	20
SMD10	415 V a.c.	10	80 kA at 415 V a.c.	gG	20
SMD16	415 V a.c.	16	80 kA at 415 V a.c.	gG	20
SMD20	415 V a.c.	20	80 kA at 415 V a.c.	gG	20
SMD25	415 V a.c.	25	80 kA at 415 V a.c.	gG	20
SMD32	415 V a.c.	32	80 kA at 415 V a.c.	gG	20

Dimensions - mm



Catalogue numbers	A	B	D
SMD	29	12.7	16

Offset bolted tags fuse links

Specifications

Description

General fuse links for general street lighting applications with Q1 fusing purpose

Technical data

Rated voltage: 240 V a.c.
 Rated current: 2 to 32 A
 Breaking capacity: 33 kA at 240 V a.c.

Standard/agency information

Meets BS88 Part 1 and 2, IEC 60269 parts 1

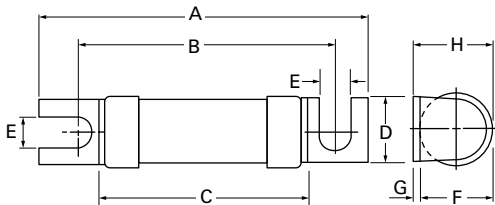
Product selection

STD, class gG, 240 V a.c., 2 to 32 A



Catalogue numbers	Rated voltage	Rated current (Amps)	Breaking capacity	Operating class	Pack quantity
STD2	240 V a.c.	2	33 kA at 240 V a.c.	gG	20
STD4	240 V a.c.	4	33 kA at 240 V a.c.	gG	20
STD6	240 V a.c.	6	33 kA at 240 V a.c.	gG	20
STD10	240 V a.c.	10	33 kA at 240 V a.c.	gG	20
STD16	240 V a.c.	16	33 kA at 240 V a.c.	gG	20
STD20	240 V a.c.	20	33 kA at 240 V a.c.	gG	20
STD25	240 V a.c.	25	33 kA at 240 V a.c.	gG	20
STD32	240 V a.c.	32	33 kA at 240 V a.c.	gG	20

Dimensions - mm



Catalogue numbers	A	B	C	D	E	F	G	H
STD	47	35	24	11	4.7	12	0.8	13

Data sheet: 4123

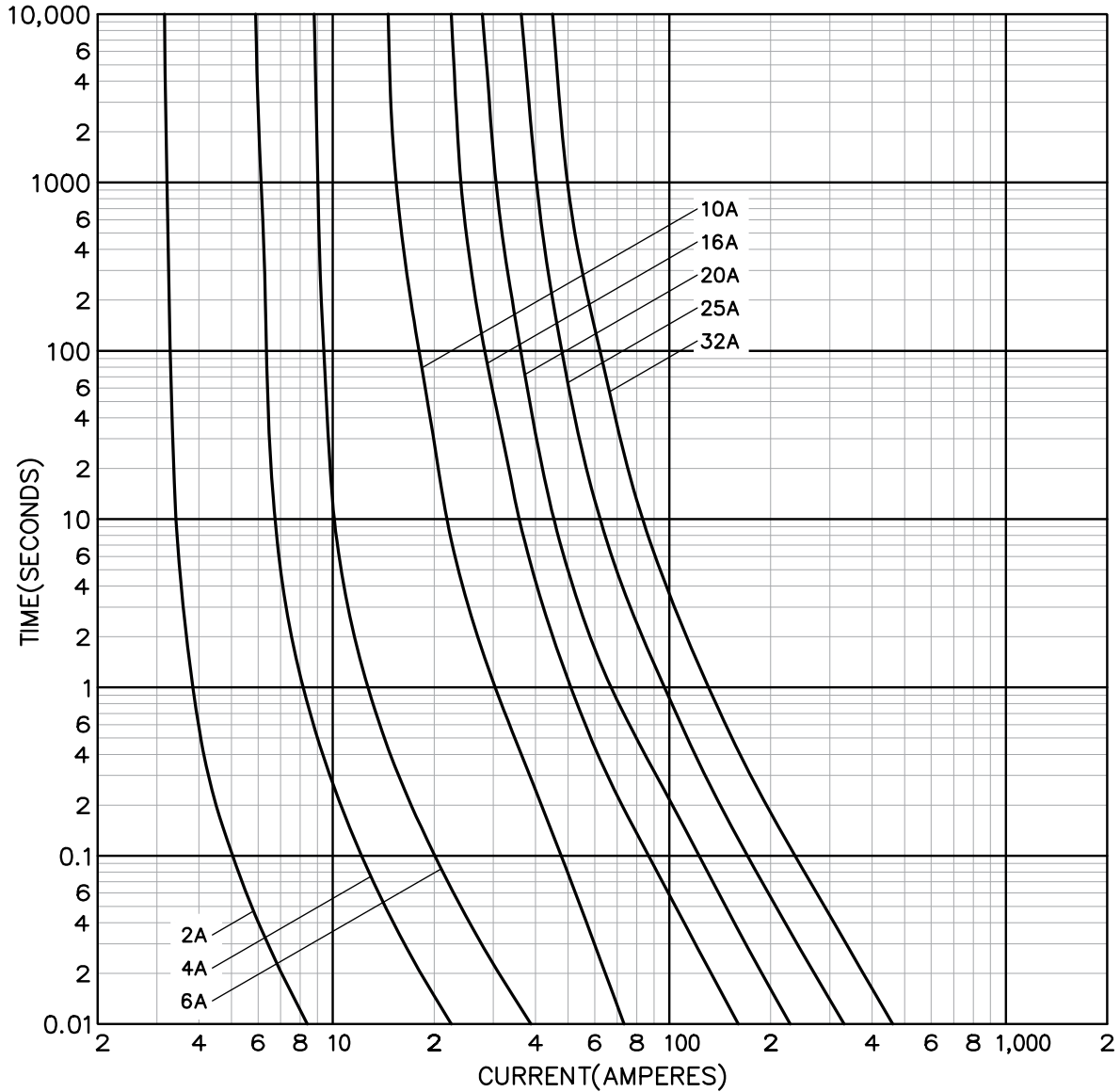
1.4

Street lighting applications to BS88

Time-current curve

Time-current curve

SMD and STD Fuse links

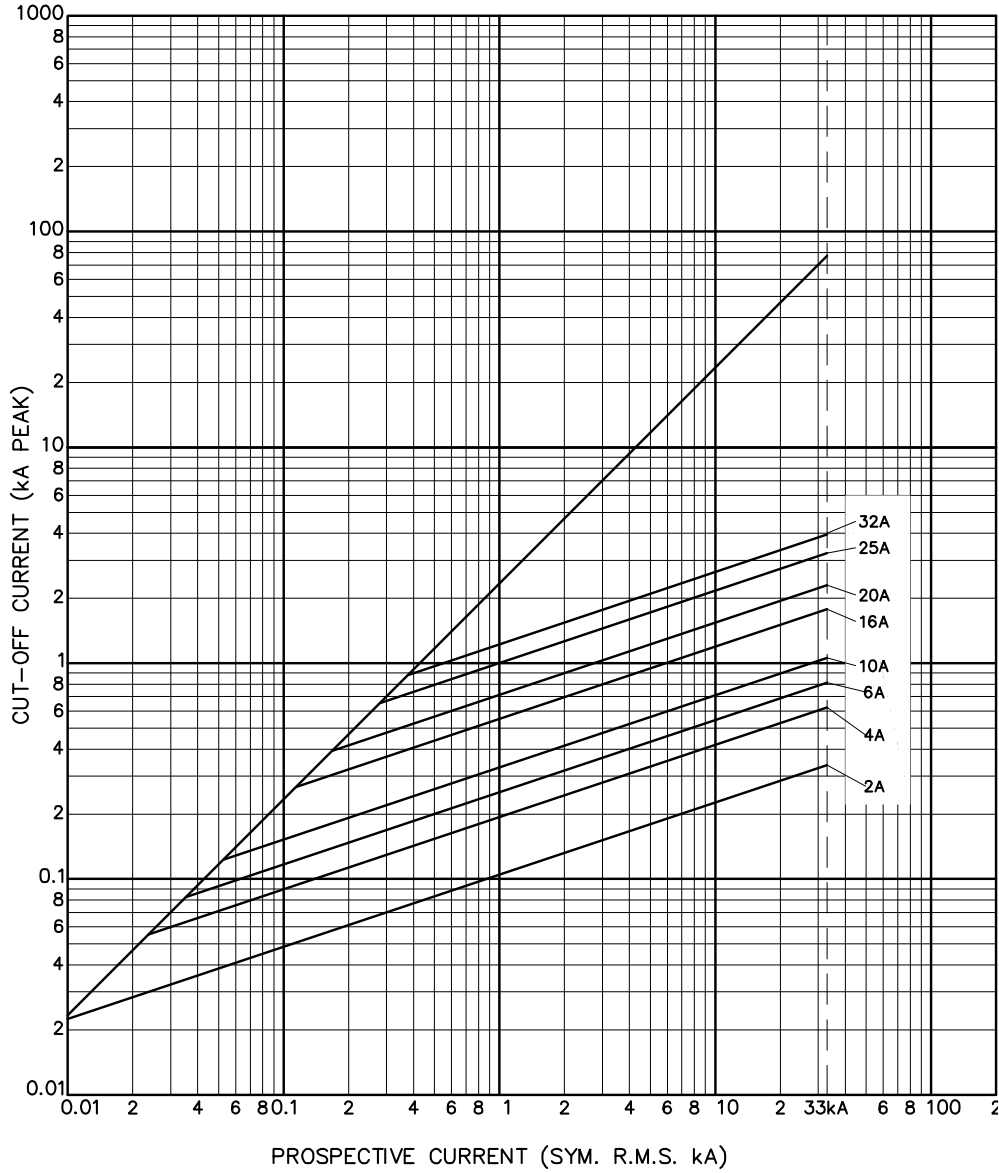


I²t (Amps² Seconds)

Catalogue prefix	Amp rating	Pre-arcing	Total at 240 V	Nom watts loss
SMD STD	2	0.8	1	0.5
SMD STD	4	5.4	8	1
SMD STD	6	15	22	1.6
SMD STD	10	28	42	1.2
SMD STD	16	160	250	1.5
SMD STD	20	293	450	1.7
SMD STD	25	800	1300	1.8
SMD STD	32	1600	2500	2.4

Cut-off curve

SMD and STD Fuse links



1.5

Domestic applications to BS 1361

Consumer unit fuse links

Consumer unit fuse links

Specifications

Description

Cylindrical fuse links for domestic applications in compliance with BS 1361 for the protection of domestic distribution systems.

Technical data

Rated voltage: 240 V a.c.
Rated current: 5 to 45 A
Breaking capacity: 16.5 kA at 240 V a.c.

Standard/agency information

Approved to BS 1361

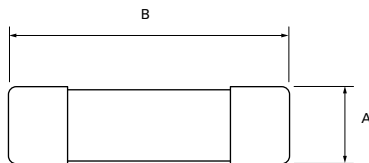
Product selection

Class gG, 240 V a.c., 5 to 45 A



Catalogue number	Rated voltage	Rated current (Amps)	Breaking capacity	Operating class	Colour	Pack quantity
C55	240 V a.c.	5	16.5 kA at 240 V a.c.	gG	White	10
C1515	240 V a.c.	15	16.5 kA at 240 V a.c.	gG	Blue	10
C1520	240 V a.c.	20	16.5 kA at 240 V a.c.	gG	Yellow	10
C3030	240 V a.c.	30	16.5 kA at 240 V a.c.	gG	Red	10
C4545	240 V a.c.	45	16.5 kA at 240 V a.c.	gG	Green	10

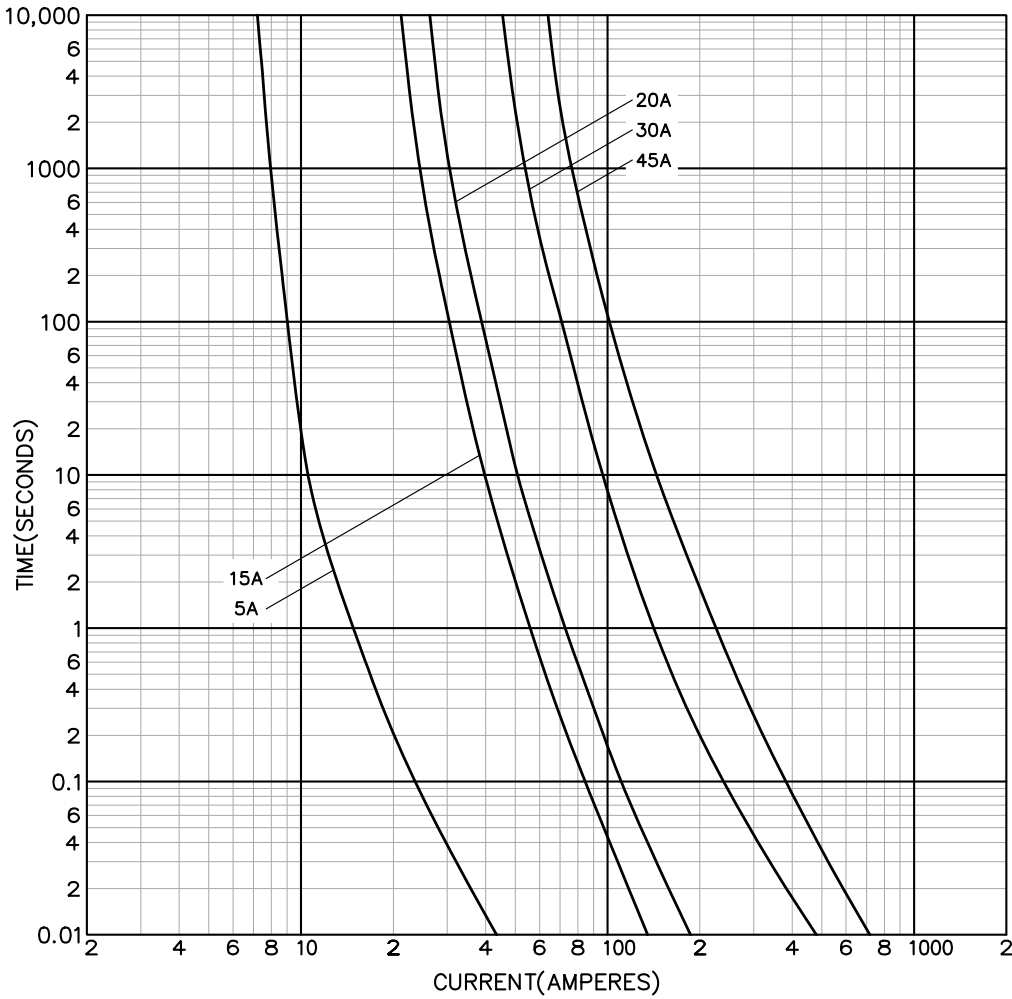
Dimensions - mm



Catalogue numbers	A	B
C55	5.35	23
C1515	10.2	26
C1520	10.32	26
C3030	12.7	29
C4545	16.67	35

Consumer unit fuse links

Time-current curve



Catalogue numbers	Amp rating	Nom watts loss
C55	5	0.7
C1515	15	1.2
C1520	20	2.0
C3030	30	3
C4545	45	N/A

1.6

Utility applications to BS88 (BS 1361) - House service cut-out fuse links

KR85 and LR85 fuse links

KR85 and LR85 fuse links

Specifications

Description

Cylindrical fuse links to be used in connection with house service cut-out for utility/residential applications.

Technical data

Rated voltage: 415 V a.c.
 Rated current: 5 to 100 A
 Breaking capacity: 33 kA at 415 V a.c.

Standard/agency information

Asta certified and tested in accordance to BS 88 part 3

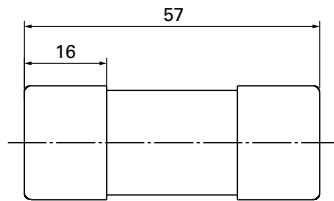
Product selection

KR85 and LR85, Class gG, 415 V a.c., 5 to 100 A

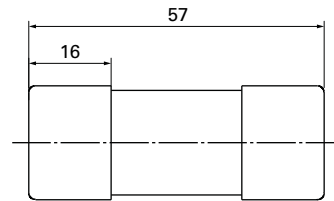
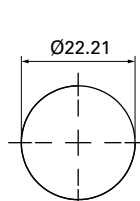


Catalogue number	Rated voltage	Rated current (Amps)	Breaking capacity	Operating class	BS 1361 type	Pack quantity
5KR85	415 V a.c.	5	33 kA at 415 V a.c.	gG	Ila	20
10KR85	415 V a.c.	10	33 kA at 415 V a.c.	gG	Ila	20
15KR85	415 V a.c.	15	33 kA at 415 V a.c.	gG	Ila	20
20KR85	415 V a.c.	20	33 kA at 415 V a.c.	gG	Ila	20
25KR85	415 V a.c.	25	33 kA at 415 V a.c.	gG	Ila	20
30KR85	415 V a.c.	30	33 kA at 415 V a.c.	gG	Ila	20
40KR85	415 V a.c.	40	33 kA at 415 V a.c.	gG	Ila	20
45KR85	415 V a.c.	45	33 kA at 415 V a.c.	gG	Ila	20
50KR85	415 V a.c.	50	33 kA at 415 V a.c.	gG	Ila	20
60KR85	415 V a.c.	60	33 kA at 415 V a.c.	gG	Ila	20
80KR85	415 V a.c.	80	33 kA at 415 V a.c.	gG	Ila	20
90KR85	415 V a.c.	90	33 kA at 415 V a.c.	gG	Ila	20
100KR85	415 V a.c.	100	33 kA at 415 V a.c.	gG	Ila	20
30LR85	415 V a.c.	30	33 kA at 415 V a.c.	gG	Ilb	20
40LR85	415 V a.c.	40	33 kA at 415 V a.c.	gG	Ilb	20
50LR85	415 V a.c.	50	33 kA at 415 V a.c.	gG	Ilb	20
60LR85	415 V a.c.	60	33 kA at 415 V a.c.	gG	Ilb	20
80LR85	415 V a.c.	80	33 kA at 415 V a.c.	gG	Ilb	20
100LR85	415 V a.c.	100	33 kA at 415 V a.c.	gG	Ilb	20

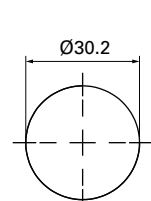
Dimensions - mm



KR85



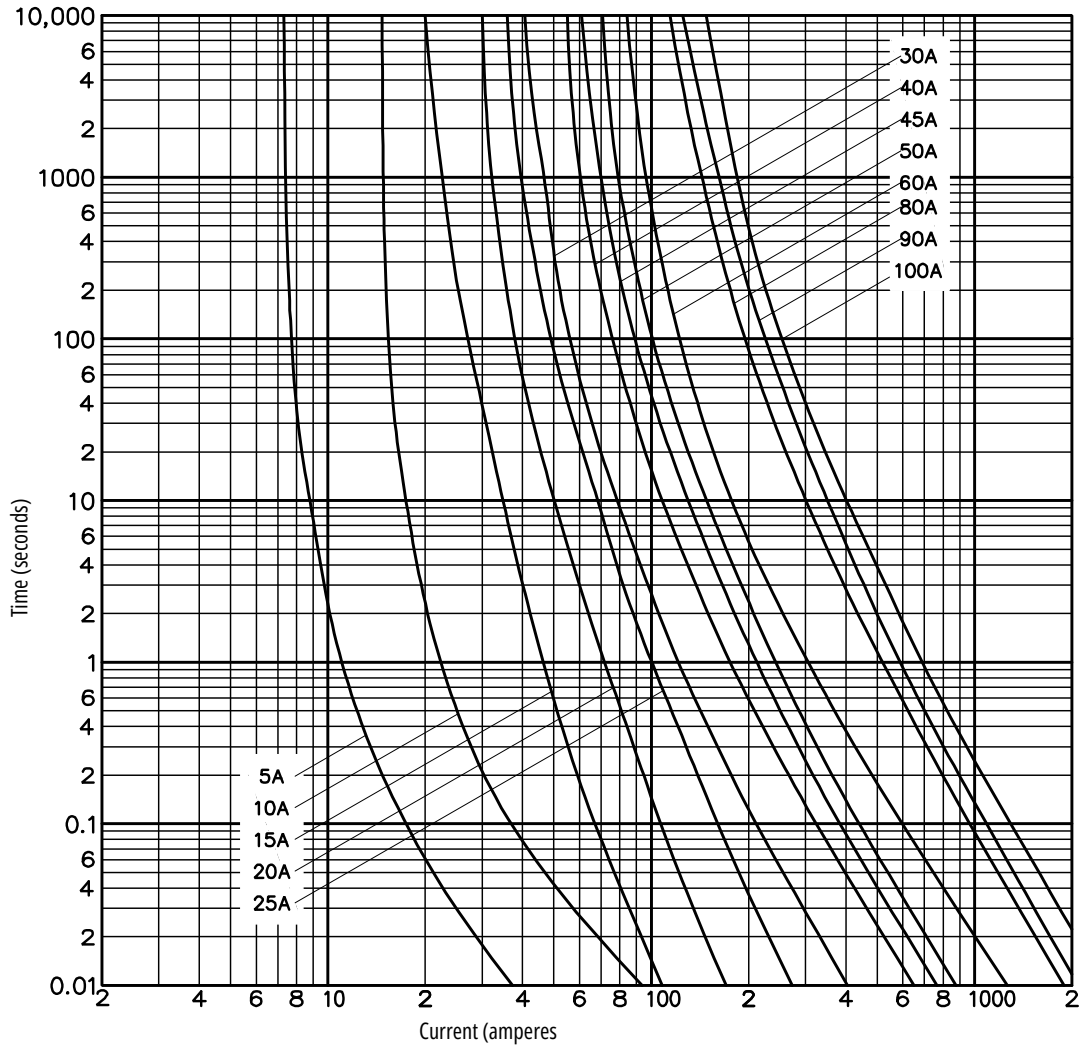
LR85



Data sheet: 720114

Time-current curve

KR85 fuse links



I²t (Amps² Seconds)

Catalogue number	Amp rating	Pre-arcing	Total at 240 V	Total at 415 V	Nom watts loss
5KR85	5	8.4	15	23.5	2.5
10KR85	10	84	150	235	3.3
15KR85	15	53	90	130	2.9
20KR85	20	215	360	510	2.6
25KR85	25	480	815	1150	2.8
30KR85	30	1000	2700	5700	3
40KR85	40	2500	6800	14,000	3.8
45KR85	45	3600	9880	20,500	3.8
50KR85	50	4720	13,000	27,000	4.2
60KR85	60	9100	25,000	52,000	4.3
80KR85	80	24,500	41,500	58,500	5.4
90KR85	90	33,000	56,500	79,500	5.7
100KR85	100	43,500	73,500	105,000	6.1

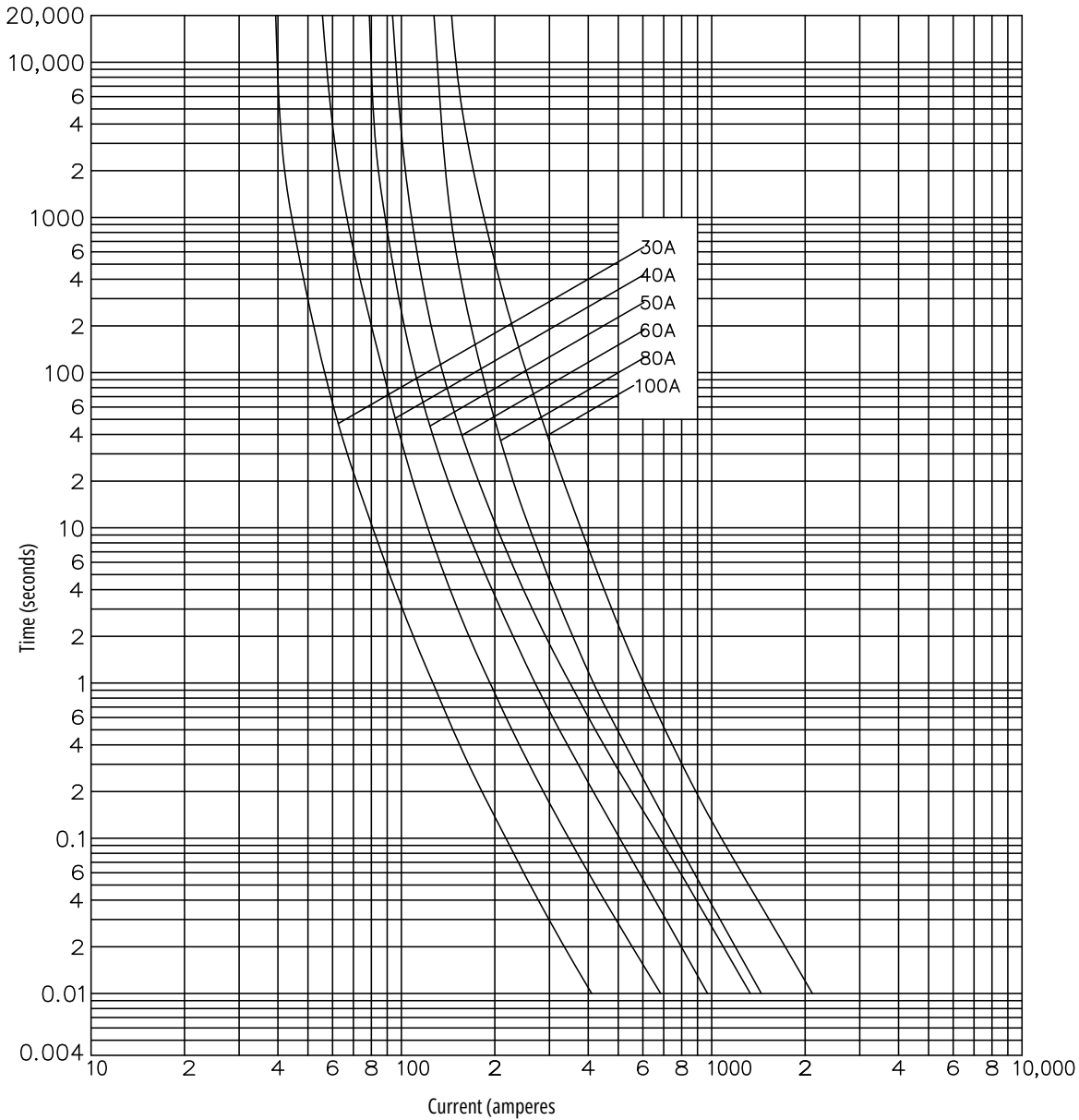
1.6

Utility applications to BS88 (BS 1361) - House service cut-out fuse links

Time-current curve

Time-current curve

LR85 fuse links

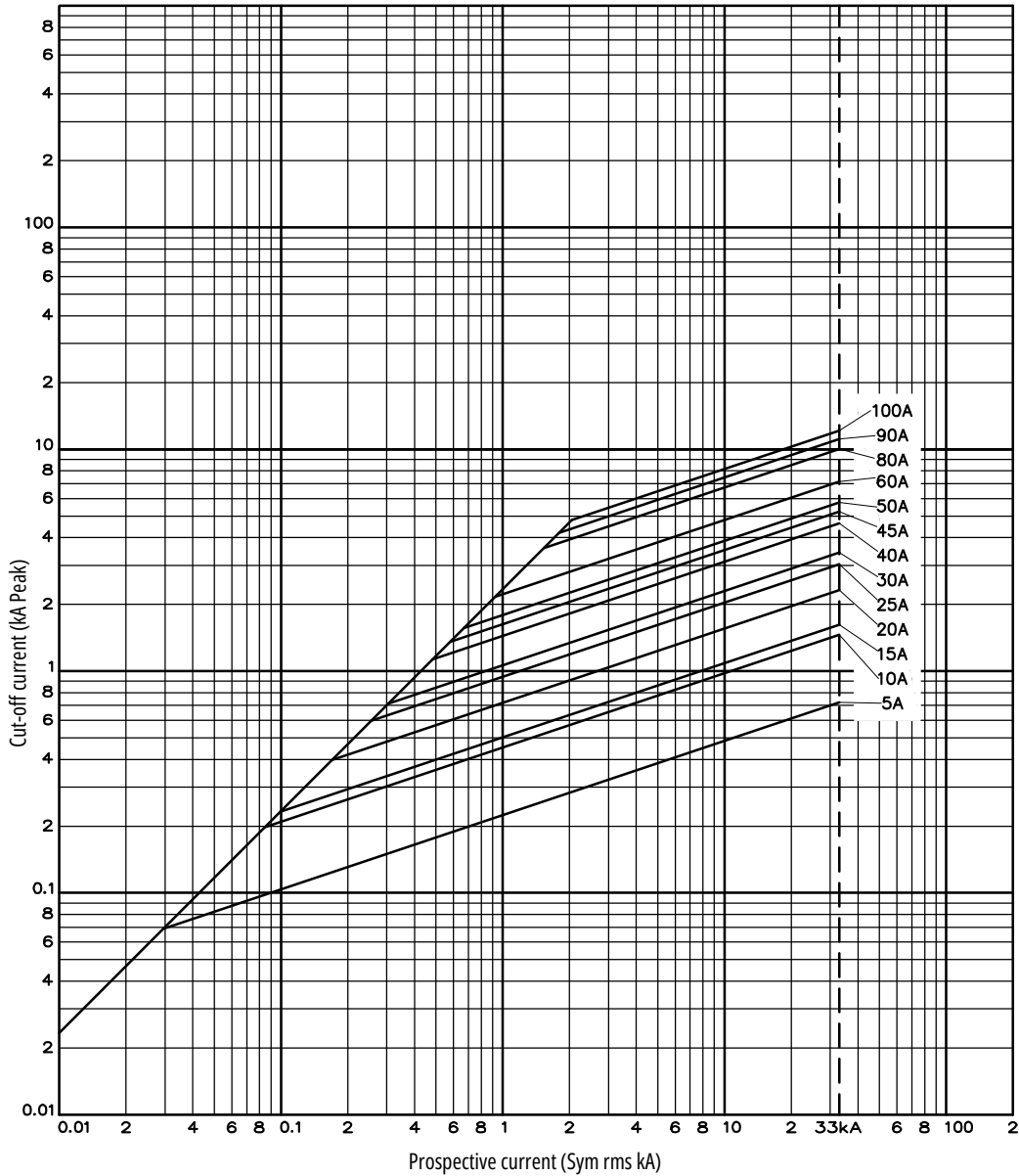


I^2t (Amps² Seconds)

Catalogue number	Amp rating	Pre-arcing	Total at 240 V	Total at 415 V	Nom watts loss
30LR85	30	1200	2300	3600	3.4
40LR85	40	3680	6900	11,000	3.5
50LR85	50	6360	12,000	19,100	4.1
60LR85	60	12,700	24,000	38,100	4.5
80LR85	80	13,200	38,100	82,500	4.9
100LR85	100	26,900	57,300	99,500	5

Cut-off curve

KR85 fuse links



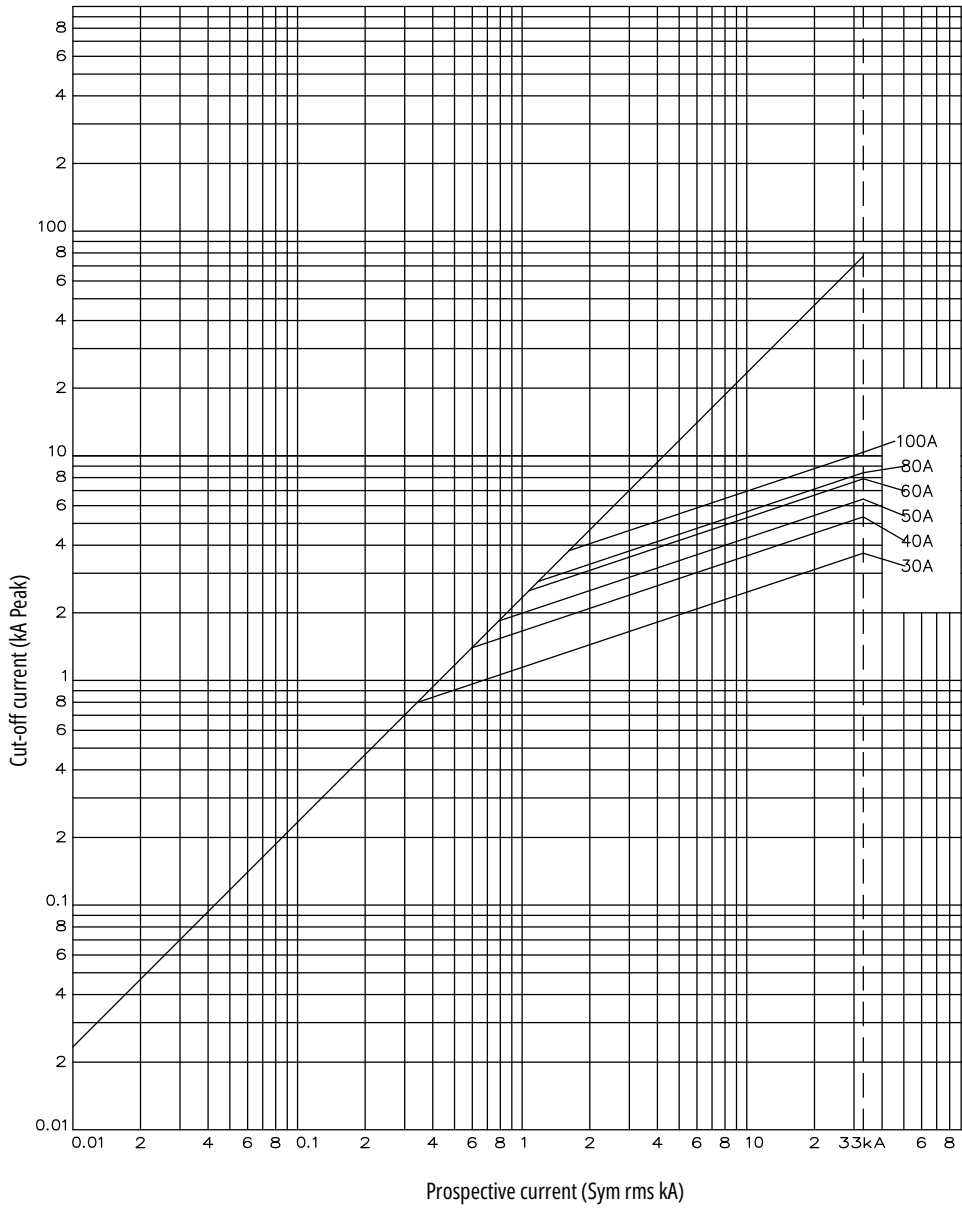
1.6

Utility applications to BS88 (BS 1361) - House service cut-out fuse links

Cut-off curve

Cut-off curve

LR85 fuse links



Cylindrical slotted and non slotted types fuse links

Specifications

Description

Cylindrical type fuse links designed to be used with wedge type fuse carriers on BS applications. These fuse links will be used by Electrical Authorities in distribution pillars, open type substation boards, heavy duty cut-outs and underground connection boxes. Can also be fitted in pole or wall mounted outdoor service fuse links.

Technical data

Rated voltage: 415 V a.c.
 Rated current: 20 to 800 A
 Breaking capacity: 80 kA at 415 V a.c.

Standard/agency information

ASTA certified and tested to BS88 part 5

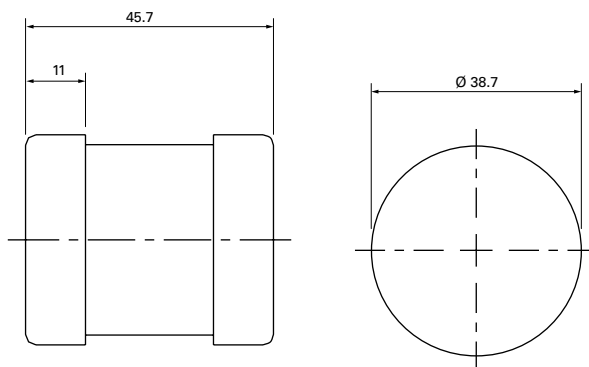
Product selection

MJ25-6, Class gG, 415 V a.c., 63 to 250 A



Catalogue numbers	Rated voltage	Rated current (Amps)	Breaking capacity	Operating class	Pack quantity
63MJ25-6	415 V a.c.	63	80 kA at 415 V a.c.	gG	20
80MJ25-6	415 V a.c.	80	80 kA at 415 V a.c.	gG	20
100MJ25-6	415 V a.c.	100	80 kA at 415 V a.c.	gG	20
125MJ25-6	415 V a.c.	125	80 kA at 415 V a.c.	gG	20
160MJ25-6	415 V a.c.	160	80 kA at 415 V a.c.	gG	20
200MJ25-6	415 V a.c.	200	80 kA at 415 V a.c.	gG	20
250MJ25-6	415 V a.c.	250	80 kA at 415 V a.c.	gG	20

Dimensions - mm



Data sheet: 4177

1.7

Utility applications to BS88 - J Type fuse links part 5

Cylindrical slotted and non slotted types fuse links

Cylindrical slotted and non slotted types fuse links

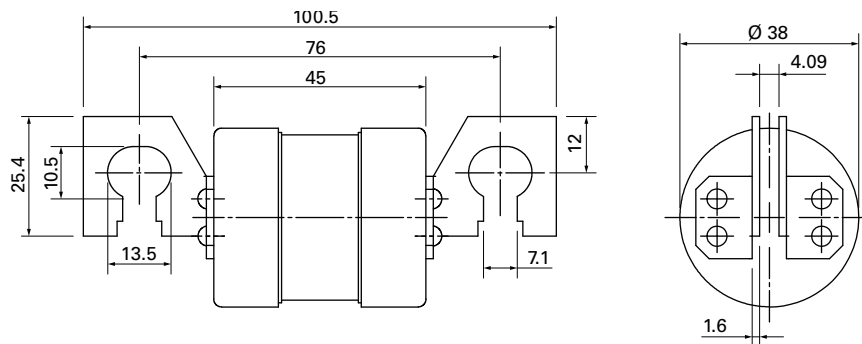
Product selection

MJ29, Class gG, 415 V a.c., 63 to 250 A



Catalogue numbers	Rated voltage	Rated current (Amps)	Breaking capacity	Operating class	Fixing centre (mm)	Pack quantity
63MJ29-6	415 V a.c.	63	80 kA at 415 V a.c.	gG	76	10
80MJ29-6	415 V a.c.	80	80 kA at 415 V a.c.	gG	76	10
100MJ29-6	415 V a.c.	100	80 kA at 415 V a.c.	gG	76	10
160MJ29-6	415 V a.c.	160	80 kA at 415 V a.c.	gG	76	10
200MJ29-6	415 V a.c.	200	80 kA at 415 V a.c.	gG	76	10
250MJ29-6	415 V a.c.	250	80 kA at 415 V a.c.	gG	76	10

Dimensions - mm



Data sheets: E5785209 and E5779001

MJ30, Class gU, 415 V a.c., 32 to 315 A, cylindrical slotted type



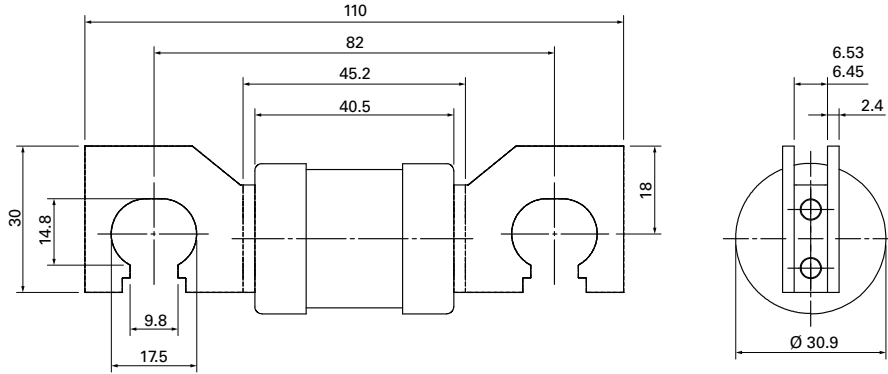
Catalogue numbers	Rated voltage	Rated current (Amps)	Breaking capacity	Operating class	Fixing centre (mm)	Pack quantity	Compatible fuse holder
20MJ30-8	415 V a.c.	20	80 kA at 415 V a.c.	gU	82	10	JW3
25MJ30-8	415 V a.c.	25	80 kA at 415 V a.c.	gU	82	10	JW3
32MJ30-8	415 V a.c.	32	80 kA at 415 V a.c.	gU	82	10	JW3
40MJ30-8	415 V a.c.	40	80 kA at 415 V a.c.	gU	82	10	JW3
50MJ30-8	415 V a.c.	50	80 kA at 415 V a.c.	gU	82	10	JW3
63MJ30-8	415 V a.c.	63	80 kA at 415 V a.c.	gU	82	10	JW3
80MJ30-7	415 V a.c.	80	80 kA at 415 V a.c.	gU	82	10	JW3
100MJ30-7	415 V a.c.	100	80 kA at 415 V a.c.	gU	82	10	JW3
125MJ30-7	415 V a.c.	125	80 kA at 415 V a.c.	gU	82	10	JW3
160MJ30-7	415 V a.c.	160	80 kA at 415 V a.c.	gU	82	10	JW3
200MJ30-7	415 V a.c.	200	80 kA at 415 V a.c.	gU	82	10	JW3
250MJ30-7	415 V a.c.	250	80 kA at 415 V a.c.	gU	82	5	JW3
315MJ30-7	415 V a.c.	315	80 kA at 415 V a.c.	gU	82	5	JW3

Data sheet: 4178A

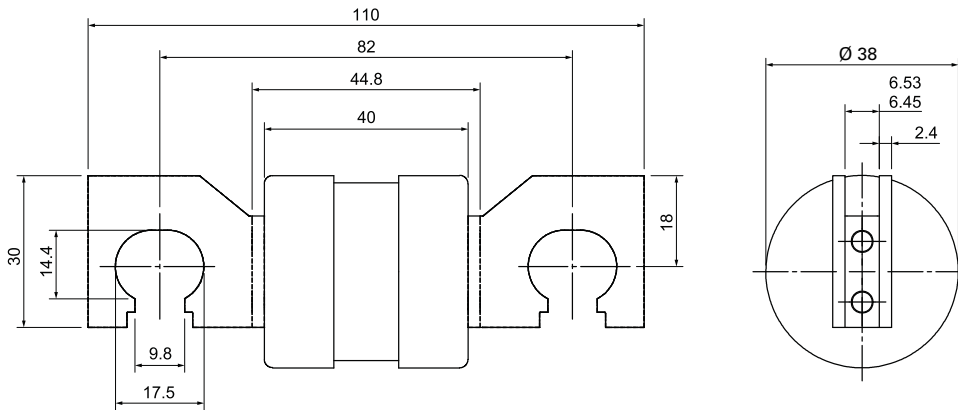
Cylindrical slotted and non slotted types fuse links

MJ30, Class gG, 415 V a.c., 32 to 315 A, cylindrical slotted type

Dimensions - mm



Up to 200 A



250 and 315 A

Data sheet: 4178A

MJ31, Class gG, 415 V a.c., 20 to 315 A

Catalogue numbers	Rated voltage	Rated current (Amps)	Breaking capacity	Operating class	Fixing centre (mm)	Pack quantity	Compatible fuse holder
20MJ31-8	415 V a.c.	20	80 kA at 415 V a.c.	gU	92	10	JW4
25MJ31-8	415 V a.c.	25	80 kA at 415 V a.c.	gU	92	10	JW4
32MJ31-8	415 V a.c.	32	80 kA at 415 V a.c.	gU	92	10	JW4
40MJ31-8	415 V a.c.	40	80 kA at 415 V a.c.	gU	92	10	JW4
50MJ31-8	415 V a.c.	50	80 kA at 415 V a.c.	gU	92	10	JW4
63MJ31-8	415 V a.c.	63	80 kA at 415 V a.c.	gU	92	10	JW4
80MJ31-7	415 V a.c.	80	80 kA at 415 V a.c.	gU	92	10	JW4
100MJ31-7	415 V a.c.	100	80 kA at 415 V a.c.	gU	92	10	JW4
125MJ31-7	415 V a.c.	125	80 kA at 415 V a.c.	gU	92	10	JW4
160MJ31-7	415 V a.c.	160	80 kA at 415 V a.c.	gU	92	10	JW4
200MJ31-7	415 V a.c.	200	80 kA at 415 V a.c.	gU	92	10	JW4
250MJ31-7	415 V a.c.	250	80 kA at 415 V a.c.	gU	92	10	JW4
315MJ31-7	415 V a.c.	315	80 kA at 415 V a.c.	gU	92	10	JW4

Data sheet: 4180



1.7

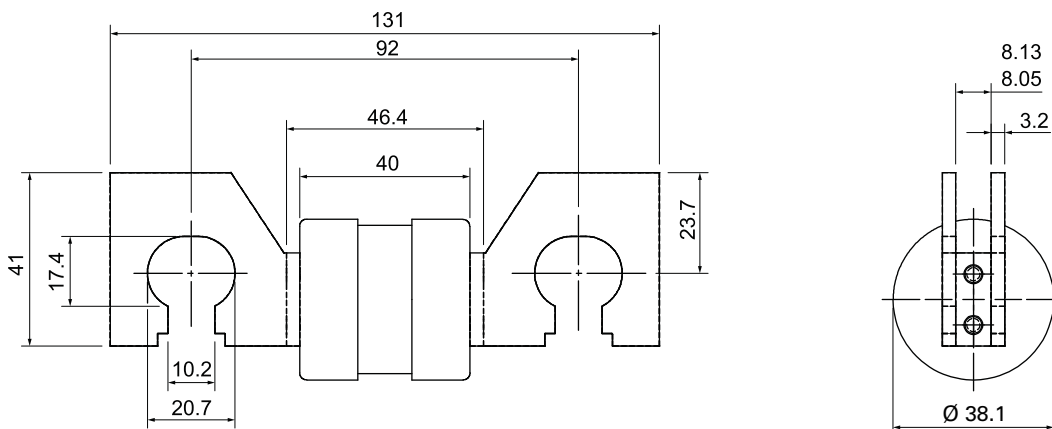
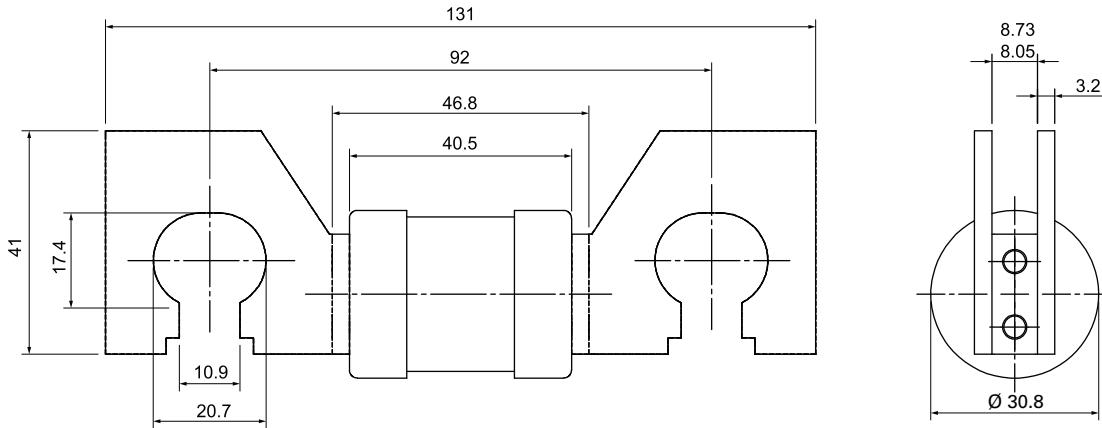
Utility applications to BS88 - J Type fuse links part 5

Cylindrical slotted and non slotted types fuse links

Cylindrical slotted and non slotted types fuse links

MJ31, Class gG, 415 V a.c., 20 to 315 A

Dimensions - mm



Data sheet: 4180

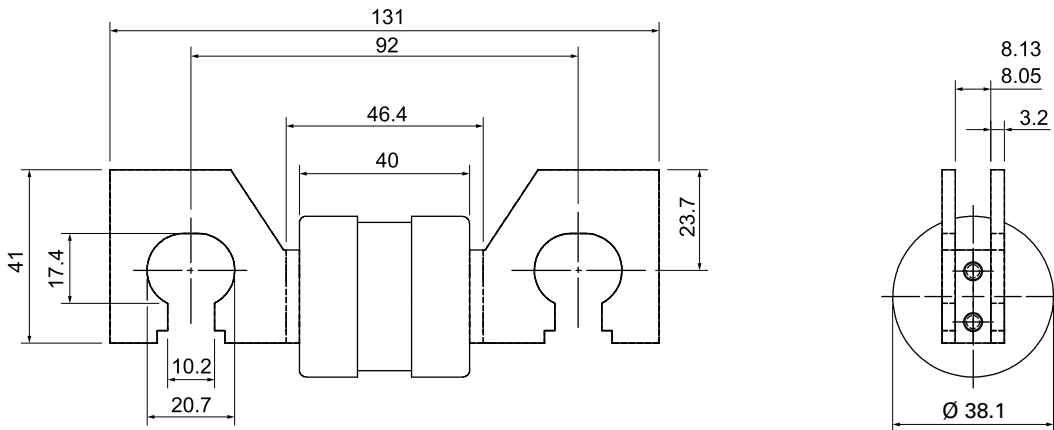
Cylindrical slotted and non slotted types fuse links

PJ31, Class gG, 415 V a.c., 355 and 400 A



Catalogue numbers	Rated voltage	Rated current (Amps)	Breaking capacity	Operating class	Fixing centre (mm)	Pack quantity	Compatible fuse holder
355PJ31-7	415 V a.c.	355	80 kA at 415 V a.c.	gU	92	10	JW3
400PJ31-7	415 V a.c.	400	80 kA at 415 V a.c.	gU	92	10	JW3

Dimensions - mm



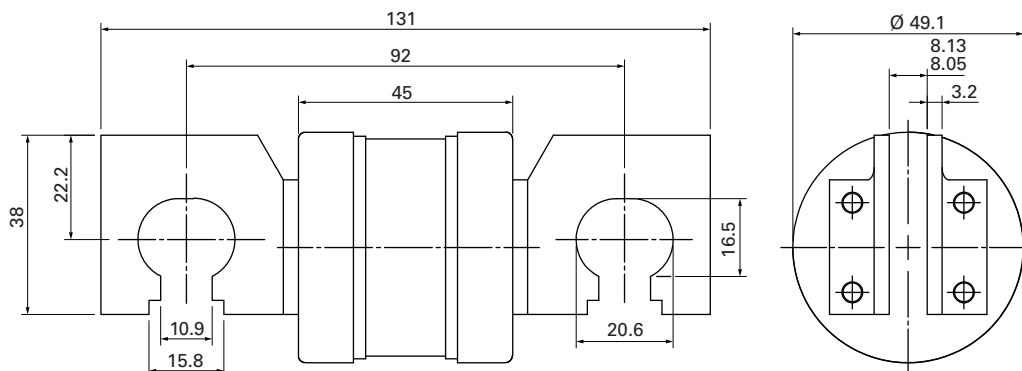
Data sheet: 4181

RJ31, Class gG, 415 V a.c., 450 and 500 A



Catalogue numbers	Rated voltage	Rated current (Amps)	Breaking capacity	Operating class	Fixing centre (mm)	Pack quantity	Compatible fuse holder
450RJ31-7	415 V a.c.	450	80 kA at 415 V a.c.	gU	92	1	JW4
500RJ31-7	415 V a.c.	500	80 kA at 415 V a.c.	gU	92	1	JW4

Dimensions - mm



Data sheet: 4182

1.7

Utility applications to BS88 - J Type fuse links part 5

Cylindrical slotted and non slotted types fuse links

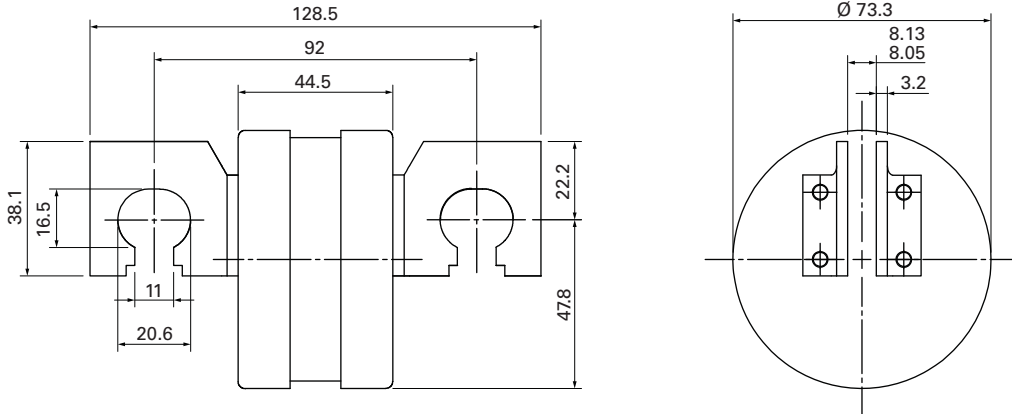
Cylindrical slotted and non slotted types fuse links

SJ31, Class gG, 415 V a.c., 560 and 630 A



Catalogue numbers	Rated voltage	Rated current (Amps)	Breaking capacity	Operating class	Fixing centre (mm)	Pack quantity	Compatible fuse holder
560SJ31-6	415 V a.c.	560	80 kA at 415 V a.c.	gU	92	10	JW4
630SJ31-6	415 V a.c.	630	80 kA at 415 V a.c.	gU	92	10	JW4

Dimensions - mm



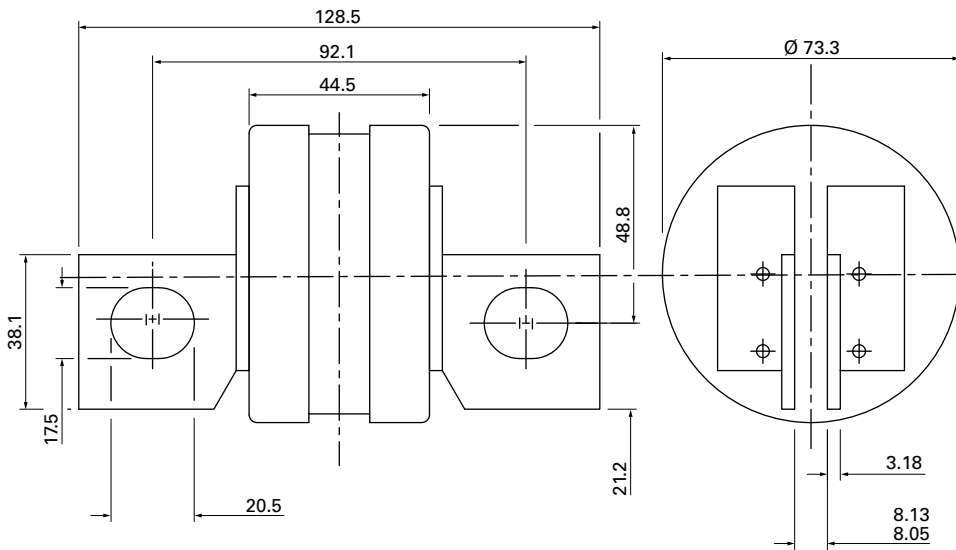
Data sheet: 4183

SJ28, Class gG, 415 V a.c., 800 A



Catalogue numbers	Rated voltage	Rated current (Amps)	Breaking capacity	Operating class	Fixing centre (mm)	Pack quantity	Compatible fuse holder
800SJ28	415 V a.c.	800	80 kA at 415 V a.c.	gU	92	1	JW4

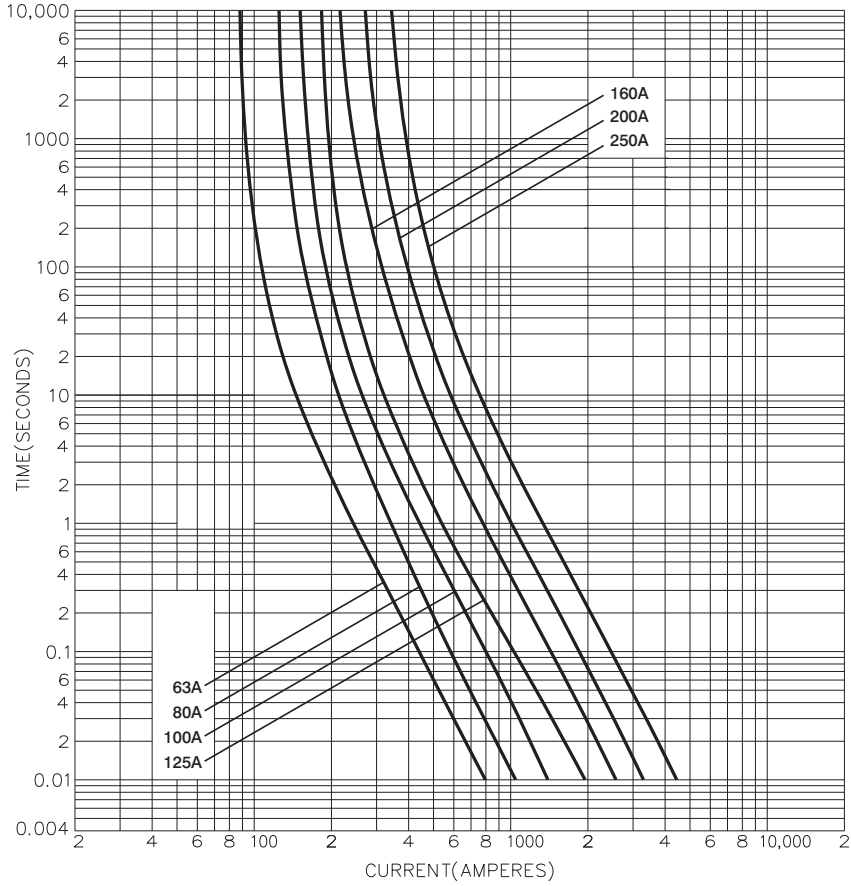
Dimensions - mm



Data sheet: 4184

Time-current curve

MJ25-6 and MJ29-6- gG Fuse links



Catalogue numbers	Energy integrals I ² t (A ² S)		Watts loss
	Pre-arcing	Total at 415 V	W
63MJ25-6	5600	13,000	6
80MJ25-6	10,000	23,000	8
100MJ25-6	17,500	41,000	8.5
125MJ25-6	33,500	77,500	10.5
160MJ25-6	62,000	145,000	12
200MJ25-6	90,000	205,000	17
250MJ25-6	175,000	400,000	20

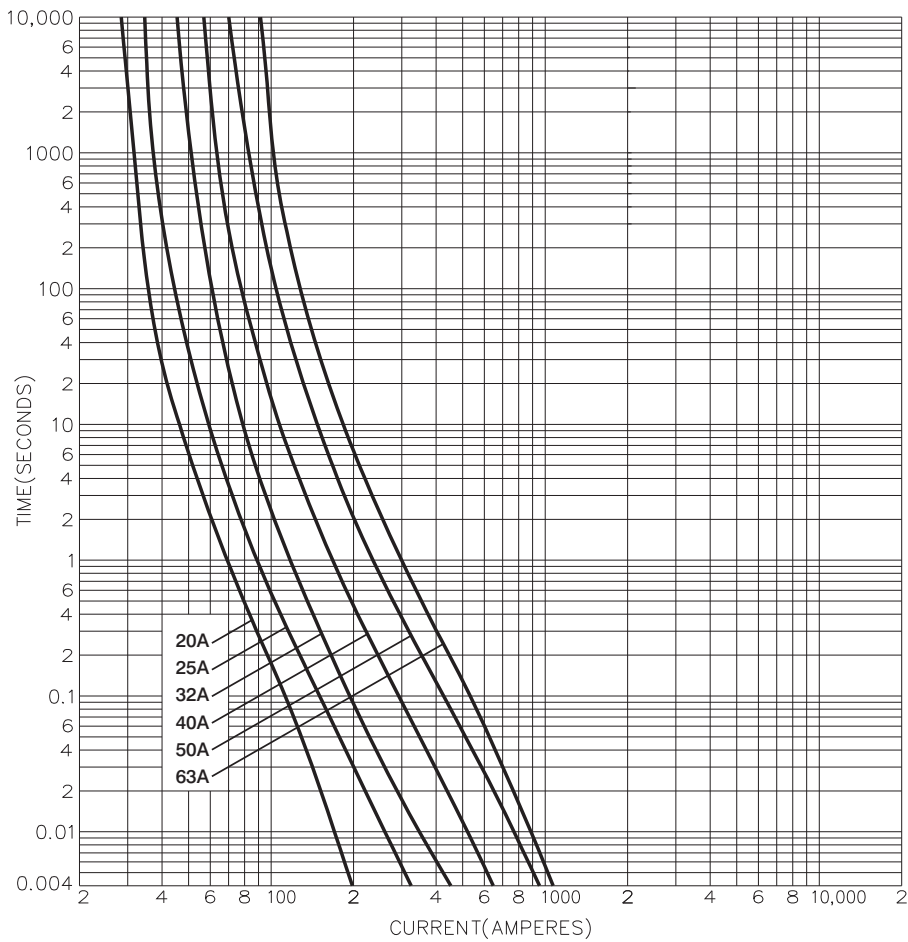
1.7

Utility applications to BS88 - J Type fuse links part 5

Cylindrical slotted and non slotted types fuse links

Time-current curve

MJ30-8 - gG fuse links

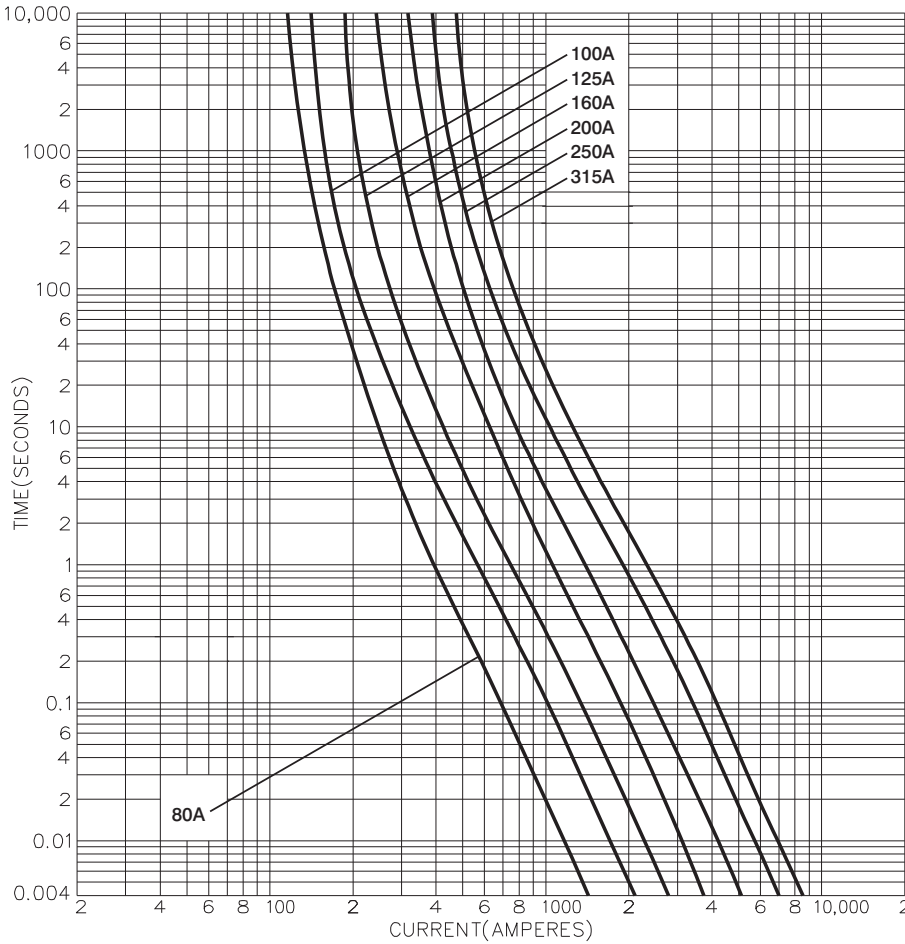


I²t (Amps² Seconds)

Catalogue prefix	I ² t (Amps ² Seconds)			Nom watts loss
	Pre-arcing	Total at 240 V	Total at 415 V	
20MJ30-8	120	230	360	2.9
25MJ30-8	330	630	1000	3
32MJ30-8	650	1250	2000	3.6
40MJ30-8	1300	2530	4000	3.7
50MJ30-8	3000	5700	9000	4.4
63MJ30-8	5300	10,000	16,000	5.2

Time-current curve

MJ30-7 - gG fuse links



I²t (Amps² Seconds)

Catalogue prefix	I ² t (Amps ² Seconds)			
	Pre-arcing	Total at 240 V	Total at 415 V	Nom watts loss
80MJ30-7	8000	13,500	19,000	7.1
100MJ30-7	14,000	24,500	35,000	8.7
125MJ30-7	29,000	50,000	71,000	9.8
160MJ30-7	57,000	97,000	135,000	11.5
200MJ30-7	120,000	205,000	290,000	13
250MJ30-7	200,000	340,000	480,000	16
315MJ30-7	265,000	450,000	635,000	26

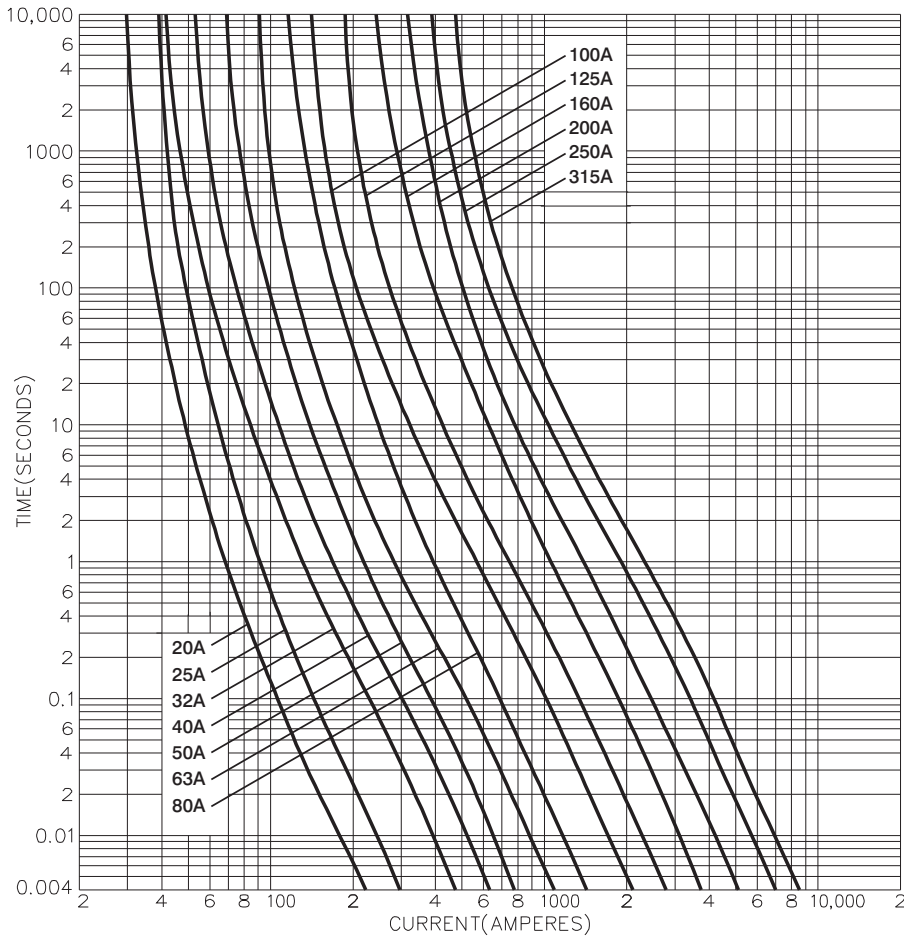
1.7

Utility applications to BS88 - J Type fuse links part 5

Cylindrical slotted and non slotted types fuse links

Time-current curve

MJ31-8 - gG fuse links

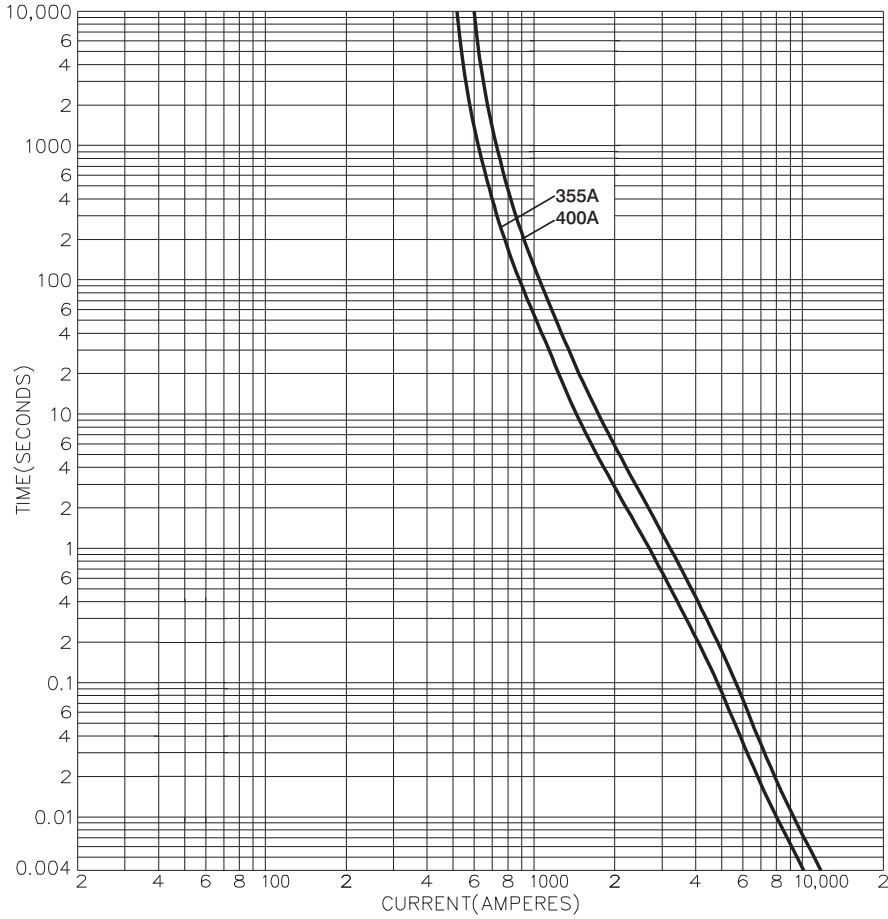


I²t (Amps² Seconds)

Catalogue prefix	Pre-arcing	Total at 240 V	Total at 415 V	Nom watts loss
20MJ31-8	162	310	490	2.5
25MJ31-8	320	610	970	2.8
32MJ31-8	690	1300	2100	3.4
40MJ31-8	1400	2650	4200	3.8
50MJ31-8	2750	5200	8200	4.3
63MJ31-8	5600	10,500	17,000	5
80MJ31-7	8000	13,500	19,000	7.1
100MJ31-7	14,000	24,500	35,000	8.7
125MJ31-7	29,000	50,000	71,000	9.8
160MJ31-7	57,000	97,000	135,000	11.5
200MJ31-7	120,000	205,000	290,000	13
250MJ31-7	200,000	340,000	480,000	16
315MJ31-7	265,000	450,000	635,000	26

Time-current curve

PJ31 - gG fuse links



Catalogue numbers	Energy integrals I ² t (A ² S)			Watts loss
	Pre-arcing	Total at 240 V	Total at 415 V	W
355PJ31-7	360,000	610,000	865,000	26
400PJ31-7	475,000	810,000	1,150,000	31

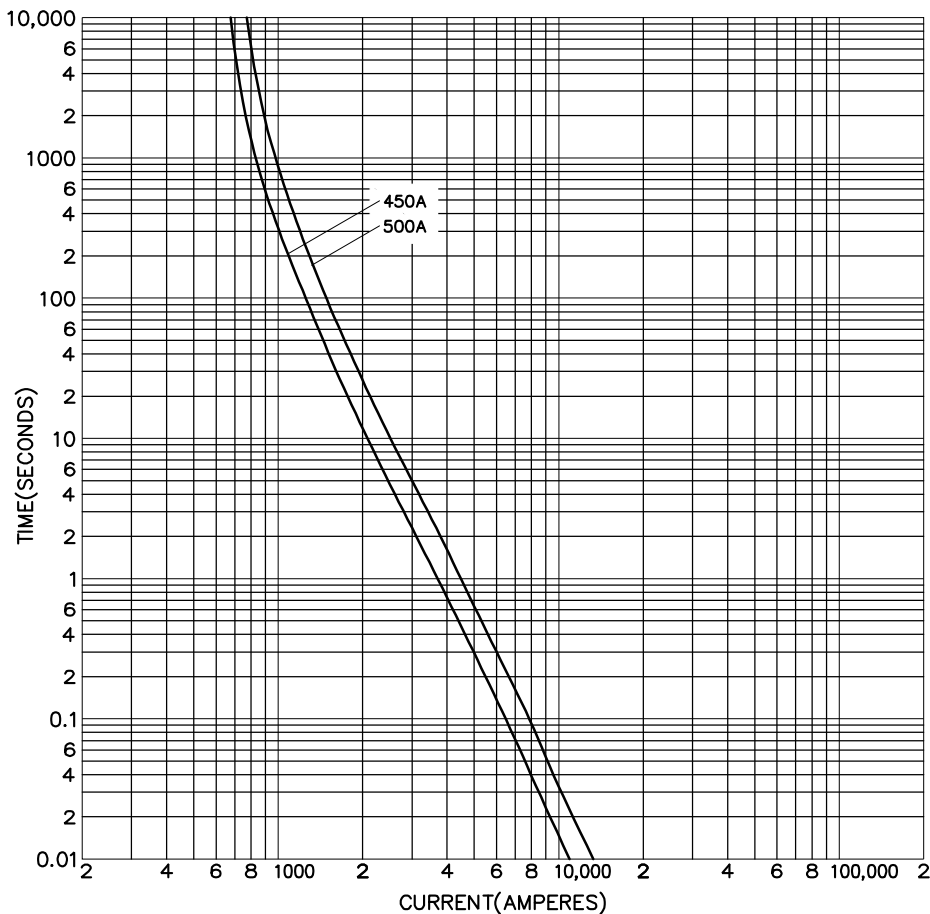
1.7

Utility applications to BS88 - J Type fuse links part 5

Cylindrical slotted and non slotted types fuse links

Time-current curve

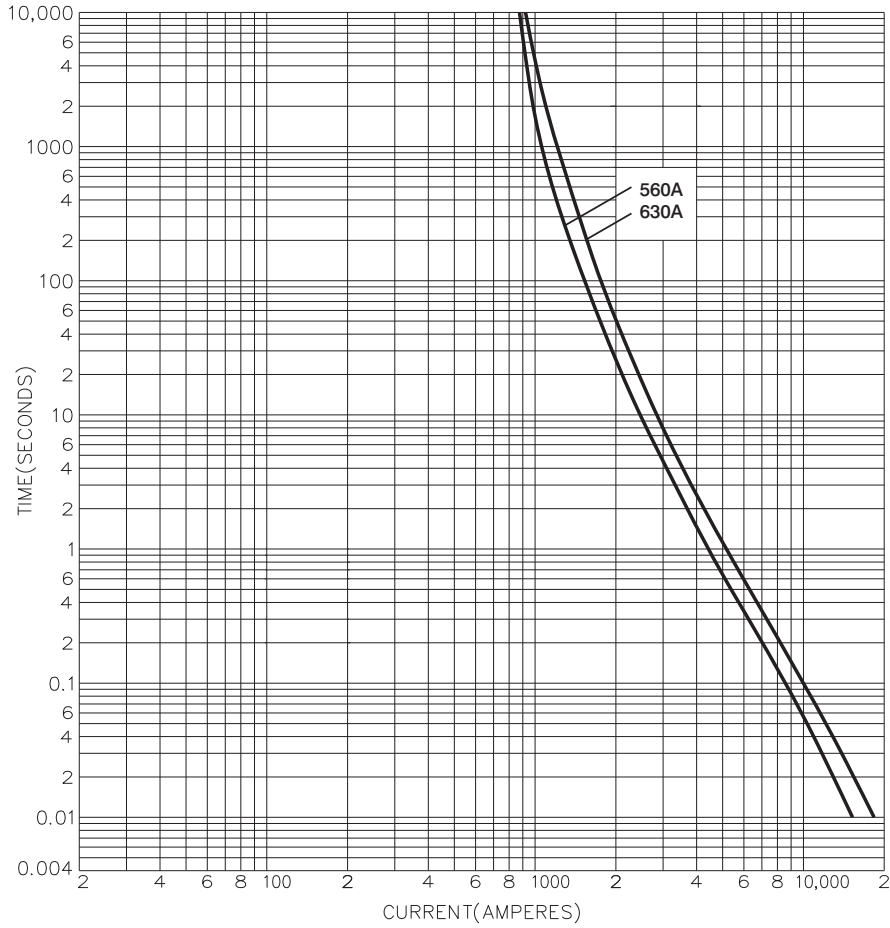
RJ31 - gG fuse links



Catalogue numbers	Energy integrals I ² t (A ² S)			Watts loss
	Pre-arcing	Total at 240 V	Total at 415 V	W
450RJ	740,000	1,260,000	1,860,000	31.3
500RJ	1,100,000	1,810,000	2,700,000	33

Time-current curve

SJ31 - gG fuse links



Catalogue numbers	Energy integrals I ² t (A ² S)		Watts loss
	Pre-arcing	Total at 415 V	W
560SJ31-6	2,300,000	5,300,000	38
630SJ31-6	3,250,000	7,450,000	41

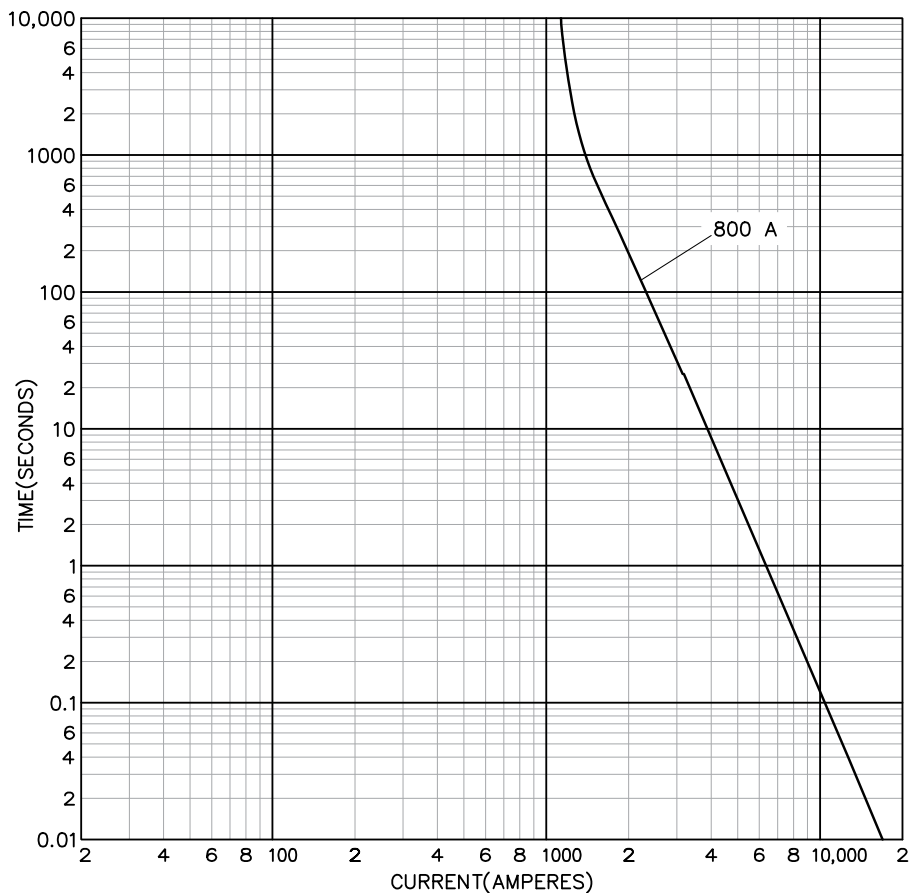
1.7

Utility applications to BS88 - J Type fuse links part 5

Cylindrical slotted and non slotted types fuse links

Time-current curve

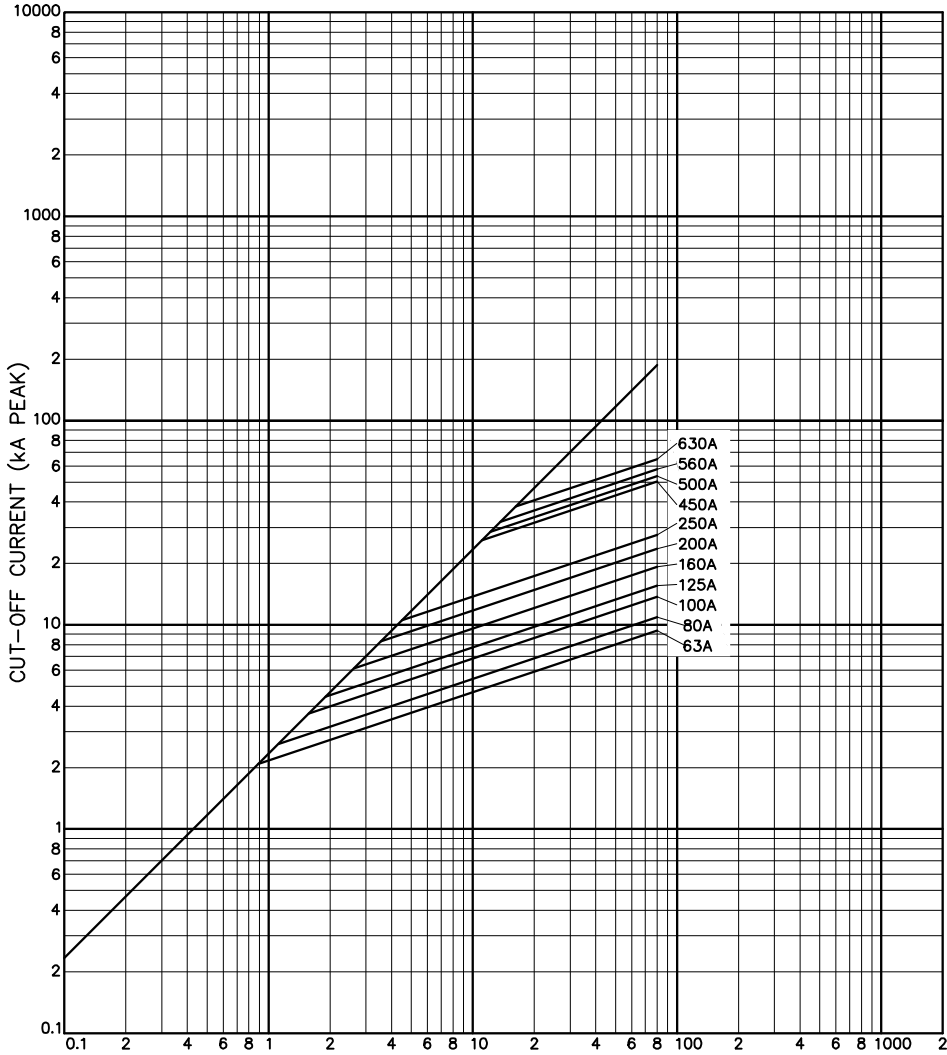
SJ28 - gG fuse links



Catalogue numbers	Energy integrals I ² t (A ² S)			Watts loss W
	Pre-arcing	Total at 240 V	Total at 415 V	
800SJ28	1,450,000	2,800,000	5,000,000	52

Cut off curve

MJ25, MJ29 and SJ-31



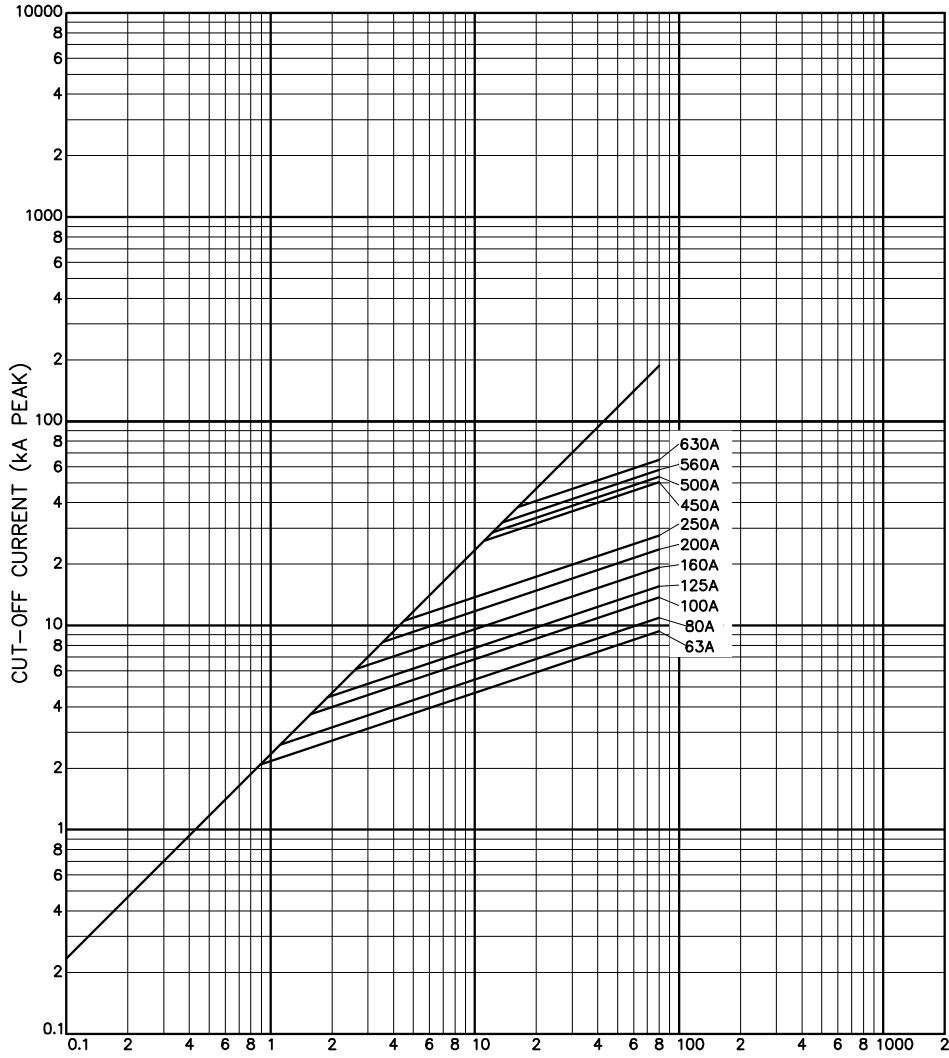
1.7

Utility applications to BS88 - J Type fuse links part 5

Cylindrical slotted and non slotted types fuse links

Cut off curve

MJ30. MJ31, PJ and RJ



Arc limiter non slotted types limiters fuse links

Specifications

Description

Arc limiter non slotted type fuse links are specifically designed to be used for safe working on live systems. Their aR characteristics offers ultra high speed protection and maximum arc flash reduction. They are not suitable for low overload fault protection.

Technical data

Rated voltage: 415 V a.c.
 Rated current: 200 and 315 A
 Breaking capacity: 80 kA at 415 V a.c.

Standard/agency information

Dimensions in accordance with BS88-2 system I
 Performance in accordance with BS88-4

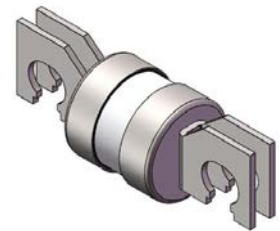
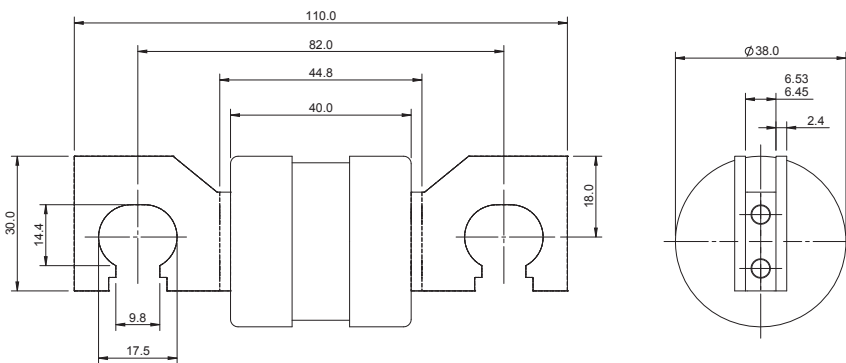
Product selection

82AL200, Class aR, 415 V a.c., 200 and 315 A

Catalogue numbers	Rated voltage	Rated current (Amps)	Breaking capacity	Operating class	Pack quantity
82AL200	415 V a.c.	200	80 kA at 415 V a.c.	aR	5
82AL315	415 V a.c.	315	80 kA at 415 V a.c.	aR	5



Dimensions - mm



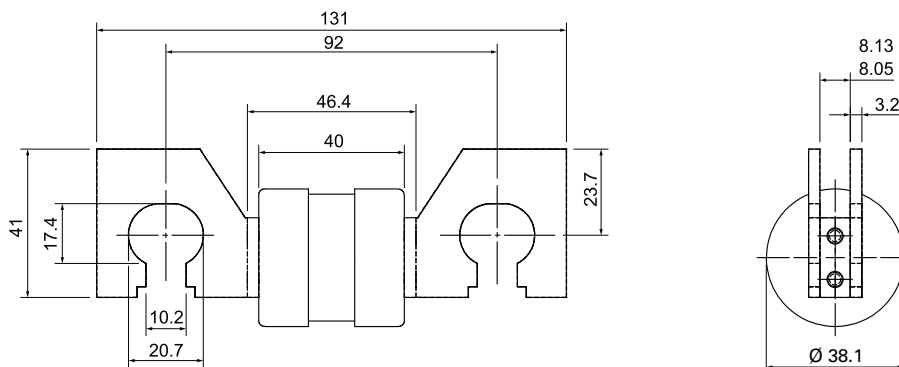
Data sheet: 4178a

82AL200 and 92AL200, Class aR, 415 V a.c., 200 and 315 A

Catalogue numbers	Rated voltage	Rated current (Amps)	Breaking capacity	Operating class	Pack quantity
92AL200	415 V a.c.	200	80 kA at 415 V a.c.	aR	5
92AL315	415 V a.c.	315	80 kA at 415 V a.c.	aR	5



Dimensions - mm



Data sheet: 4180

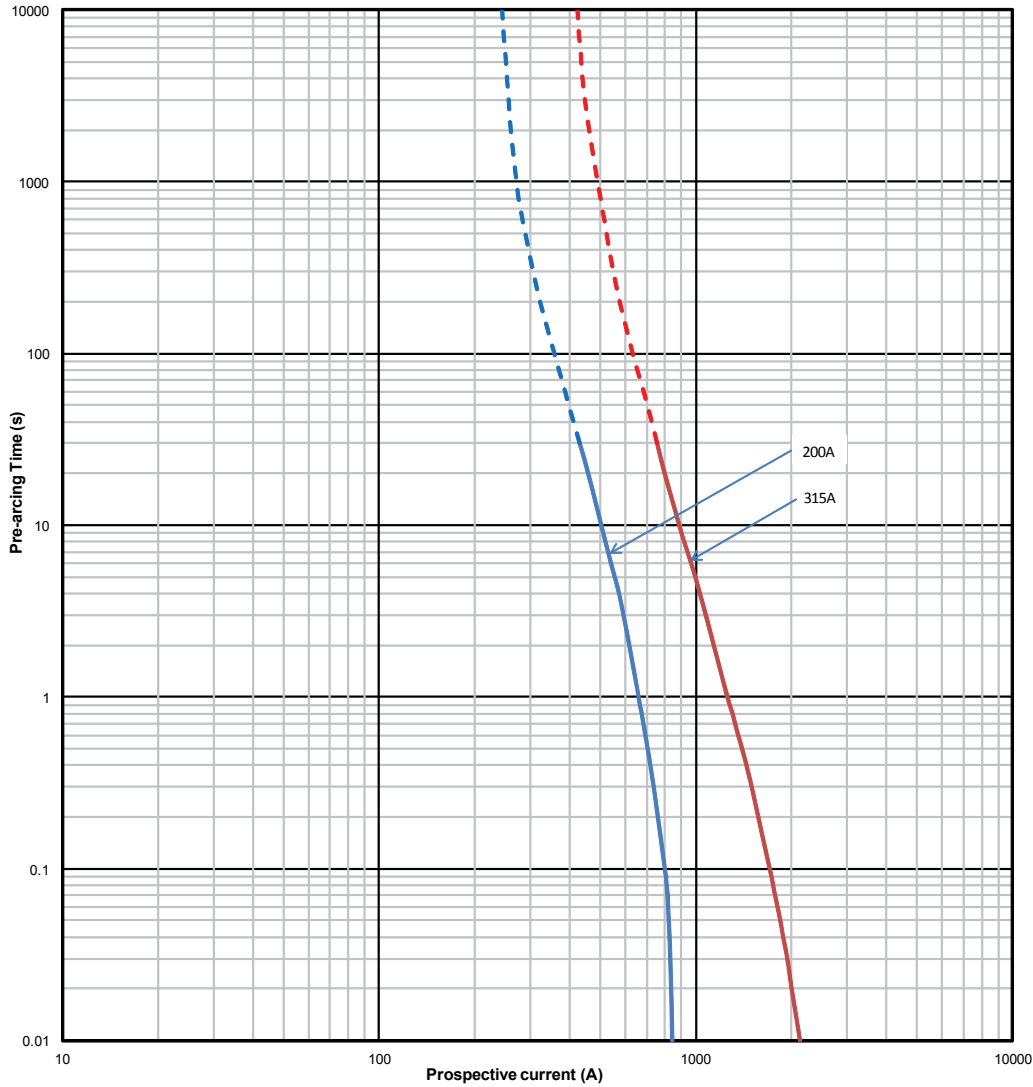
1.7

Utility applications to BS88 - J Type fuse links part 5

Time-current curve

Time-current curve

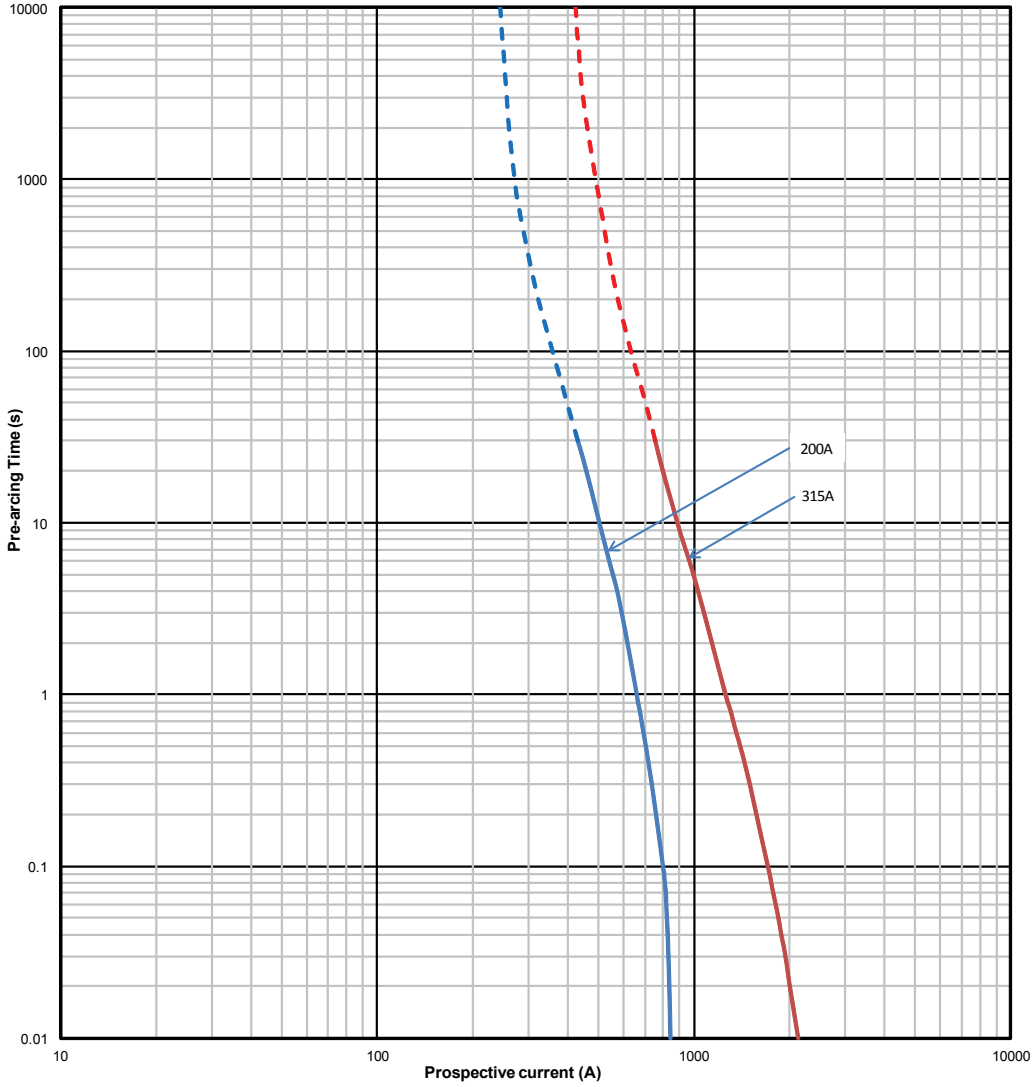
82AL fuse links



Catalogue numbers	Energy integrals I^2t (A ² S)			Watts loss W
	Pre-arcing	Total at 240 V	Total at 415 V	
82AL200	9800	29,000	63,000	48
82AL315	14,100	41,500	91,000	54

Time-current curve

92AL fuse links



Catalogue numbers	Energy integrals I ² t (A ² S)			Watts loss W
	Pre-arcing	Total at 240 V	Total at 415 V	
92AL200	9800	29,000	63,000	48
92AL315	14,100	41,500	91,000	54

1.8

Cylindrical industrial fuse links

Class gG, sizes 10 x 38, 14 x 51 and 22 x 58 mm fuse links

Class gG, sizes 10 x 38, 14 x 51 and 22 x 58 mm fuse links

Specifications

Description

Cylindrical fuse links for industrial applications, class gG.
Available with indicator or striker.

Technical data

Rated voltage: up to 690 V a.c., see tables for details
Rated current: 0.5 to 125 A, see tables for details
Breaking capacity: up to 120 kA, see tables for details

Standard/agency information

IEC 60269

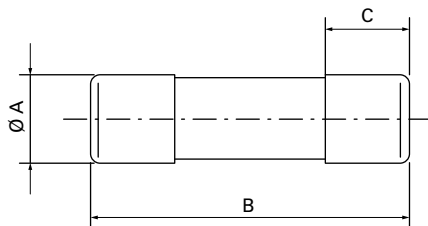
Product selection

10 x 38 mm, Class gG, 500 and 400 V a.c., 0.5 to 32 A, without indicator



Catalogue numbers	Rated voltage	Rated current (Amps)	Breaking capacity	Operating class	Pack quantity	Compatible fuse holder
C10G0-5	500 V a.c.	0.5	120 kA at 500 V a.c.	gG	10	CHM range
C10G1	500 V a.c.	1	120 kA at 500 V a.c.	gG	10	
C10G2	500 V a.c.	2	120 kA at 500 V a.c.	gG	10	
C10G4	500 V a.c.	4	120 kA at 500 V a.c.	gG	10	
C10G6	500 V a.c.	6	120 kA at 500 V a.c.	gG	10	
C10G8	500 V a.c.	8	120 kA at 500 V a.c.	gG	10	
C10G10	500 V a.c.	10	120 kA at 500 V a.c.	gG	10	
C10G12	500 V a.c.	12	120 kA at 500 V a.c.	gG	10	
C10G16	500 V a.c.	16	120 kA at 500 V a.c.	gG	10	
C10G20	500 V a.c.	20	120 kA at 500 V a.c.	gG	10	
C10G25	500 V a.c.	25	120 kA at 500 V a.c.	gG	10	
C10G32	400 V a.c.	32	120 kA at 400 V a.c.	gG	10	

C10 Dimensions - mm



Catalogue numbers	A	B	C
C10G	10	38	10

Data sheet: 720115

Class gG, sizes 10 x 38, 14 x 51 and 22 x 58 mm fuse links

14 x 51 mm, Class gG, 400, 500 and 690 V a.c., 1 to 50 A, without indicator



Catalogue numbers	Rated voltage	Rated current (Amps)	Breaking capacity	Operating class	Pack quantity	Compatible fuse holder
C14G1	690 V a.c.	1	80 kA at 690 V a.c.	gG	10	CH14 range
C14G2	690 V a.c.	2	80 kA at 690 V a.c.	gG	10	
C14G4	690 V a.c.	4	80 kA at 690 V a.c.	gG	10	
C14G6	690 V a.c.	6	80 kA at 690 V a.c.	gG	10	
C14G8	690 V a.c.	8	80 kA at 690 V a.c.	gG	10	
C14G10	690 V a.c.	10	80 kA at 690 V a.c.	gG	10	
C14G12	690 V a.c.	12	80 kA at 690 V a.c.	gG	10	
C14G16	690 V a.c.	16	80 kA at 690 V a.c.	gG	10	
C14G20	690 V a.c.	20	80 kA at 690 V a.c.	gG	10	
C14G25	690 V a.c.	25	80 kA at 690 V a.c.	gG	10	
C14G32	500 V a.c.	32	120 kA at 500 V a.c.	gG	10	
C14G40	500 V a.c.	40	120 kA at 500 V a.c.	gG	10	
C14G50	400 V a.c.	50	120 kA at 400 V a.c.	gG	10	

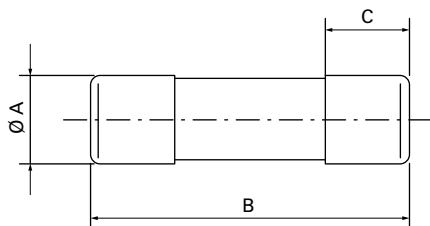
14 x 51 mm, Class gG, 500 and 400 V a.c., 2 to 50 A, with striker



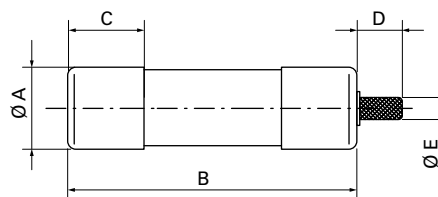
Catalogue numbers	Rated voltage	Rated current (Amps)	Breaking capacity	Operating class	Pack quantity	Compatible fuse holder
C14G2S	500 V a.c.	2	120 kA at 500 V a.c.	gG	10	CH14 range
C14G4S	500 V a.c.	4	120 kA at 500 V a.c.	gG	10	
C14G6S	500 V a.c.	6	120 kA at 500 V a.c.	gG	10	
C14G8S	500 V a.c.	8	120 kA at 500 V a.c.	gG	10	
C14G10S	500 V a.c.	10	120 kA at 500 V a.c.	gG	10	
C14G12S	500 V a.c.	12	120 kA at 500 V a.c.	gG	10	
C14G16S	500 V a.c.	16	120 kA at 500 V a.c.	gG	10	
C14G20S	500 V a.c.	20	120 kA at 500 V a.c.	gG	10	
C14G25S	500 V a.c.	25	120 kA at 500 V a.c.	gG	10	
C14G32S	500 V a.c.	32	120 kA at 500 V a.c.	gG	10	
C14G40S	500 V a.c.	40	120 kA at 500 V a.c.	gG	10	
C14G50S	400 V a.c.	50	120 kA at 400 V a.c.	gG	10	

Data sheet: 720115

C14 Dimensions - mm



Catalogue numbers	A	B	C
C14G	14.3	51	13



Catalogue numbers	A	B	C	D	E
C14G with striker	14.3	51	13	8	4

1.8

Cylindrical industrial fuse links

Class gG, sizes 10 x 38, 14 x 51 and 22 x 58 mm fuse links

Class gG, sizes 10 x 38, 14 x 51 and 22 x 58 mm fuse links

22 x 58 mm, Class gG, 400, 500 and 690 V a.c., 2 to 125 A, without indicator



Catalogue numbers	Rated voltage	Rated current (Amps)	Breaking capacity	Operating class	Pack quantity	Compatible fuse holder
C22G2	690 V a.c.	2	80 kA at 690 V a.c.	gG	10	CH22 range
C22G4	690 V a.c.	4	80 kA at 690 V a.c.	gG	10	
C22G6	690 V a.c.	6	80 kA at 690 V a.c.	gG	10	
C22G8	690 V a.c.	8	80 kA at 690 V a.c.	gG	10	
C22G10	690 V a.c.	10	80 kA at 690 V a.c.	gG	10	
C22G12	690 V a.c.	12	80 kA at 690 V a.c.	gG	10	
C22G16	690 V a.c.	16	80 kA at 690 V a.c.	gG	10	
C22G20	690 V a.c.	20	80 kA at 690 V a.c.	gG	10	
C22G25	690 V a.c.	25	80 kA at 690 V a.c.	gG	10	
C22G32	690 V a.c.	32	80 kA at 690 V a.c.	gG	10	
C22G40	690 V a.c.	40	80 kA at 690 V a.c.	gG	10	
C22G50	690 V a.c.	50	80 kA at 690 V a.c.	gG	10	
C22G63	690 V a.c.	63	80 kA at 690 V a.c.	gG	10	
C22G80	500 V a.c.	80	120 kA at 500 V a.c.	gG	10	
C22G100	500 V a.c.	100	120 kA at 500 V a.c.	gG	10	
C22G125	400 V a.c.	125	120 kA at 400 V a.c.	gG	10	

Data sheet: 720115

22 x 58 mm, Class gG, 400, 500 and 690 V a.c., 4 to 125 A, with striker

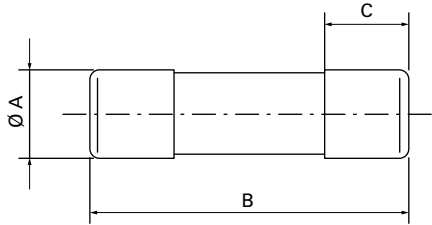


Catalogue numbers	Rated voltage	Rated current (Amps)	Breaking capacity	Operating class	Pack quantity	Compatible fuse holder
C22G4S	690 V a.c.	4	80 kA at 690 V a.c.	gG	10	CH22 range
C22G6S	690 V a.c.	6	80 kA at 690 V a.c.	gG	10	
C22G8S	690 V a.c.	8	80 kA at 690 V a.c.	gG	10	
C22G10S	690 V a.c.	10	80 kA at 690 V a.c.	gG	10	
C22G12S	690 V a.c.	12	80 kA at 690 V a.c.	gG	10	
C22G16S	690 V a.c.	16	80 kA at 690 V a.c.	gG	10	
C22G20S	690 V a.c.	20	80 kA at 690 V a.c.	gG	10	
C22G25S	690 V a.c.	25	80 kA at 690 V a.c.	gG	10	
C22G32S	690 V a.c.	32	80 kA at 690 V a.c.	gG	10	
C22G40S	690 V a.c.	40	80 kA at 690 V a.c.	gG	10	
C22G50S	690 V a.c.	50	80 kA at 690 V a.c.	gG	10	
C22G63S	690 V a.c.	63	80 kA at 690 V a.c.	gG	10	
C22G80S	500 V a.c.	80	120 kA at 500 V a.c.	gG	10	
C22G100S	500 V a.c.	100	120 kA at 500 V a.c.	gG	10	
C22G125S	400 V a.c.	125	120 kA at 400 V a.c.	gG	10	

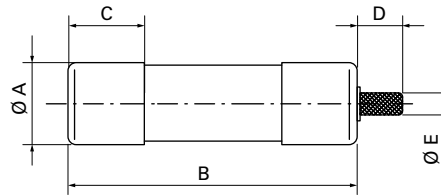
Data sheet: 720115

Class gG, sizes 10 x 38, 14 x 51 and 22 x 58 mm fuse links

C22 Dimensions - mm



Catalogue numbers	A	B	C
C22G	22	58	16



Catalogue numbers	A	B	C	D	E
C22G with striker	22	58	16	8	4

1.8

Cylindrical industrial fuse links

Class aM, 10 x 38, 14 x 51 and 22 x 58 mm fuse links

Class aM, 10 x 38, 14 x 51 and 22 x 58 mm fuse links

Specifications

Description

Cylindrical fuse links for industrial applications, class aM (Motor protection). Available with indicator.

Technical data

Rated voltage: up to 690 V a.c., see tables for details

Rated current: 1 to 125 A, see tables for details

Breaking capacity: up to 120 kA., see tables for details

Standard/agency information

IEC 60269

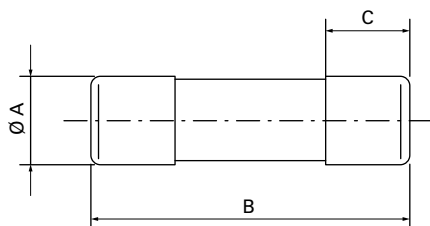
Product selection

10 x 38 mm, Class aM, 500 and 400 V a.c., 0.25 to 25 A, without indicator



Catalogue numbers	Rated voltage	Rated current (Amps)	Breaking capacity	Operating class	Pack quantity	Compatible fuse holder
C10M0-25	500 V a.c.	0.25	120 kA at 500 V a.c.	aM	10	CHM range
C10M0-5	500 V a.c.	0.5	120 kA at 500 V a.c.	aM	10	
C10M1	500 V a.c.	1	120 kA at 500 V a.c.	aM	10	
C10M2	500 V a.c.	2	120 kA at 500 V a.c.	aM	10	
C10M4	500 V a.c.	4	120 kA at 500 V a.c.	aM	10	
C10M6	500 V a.c.	6	120 kA at 500 V a.c.	aM	10	
C10M8	500 V a.c.	8	120 kA at 500 V a.c.	aM	10	
C10M10	500 V a.c.	10	120 kA at 500 V a.c.	aM	10	
C10M12	500 V a.c.	12	120 kA at 500 V a.c.	aM	10	
C10M16	500 V a.c.	16	120 kA at 500 V a.c.	aM	10	
C10M20	400 V a.c.	20	120 kA at 400 V a.c.	aM	10	
C10M25	400 V a.c.	25	120 kA at 400 V a.c.	aM	10	

Dimensions - mm



Catalogue numbers	A	B	C
C10M	10	38	10

Class aM, sizes 10 x 38, 14 x 51 and 22 x 58 mm fuse links

14 x 51 mm, Class aM, 400, 500 and 690 V a.c., 0.25 to 50 A, without indicator



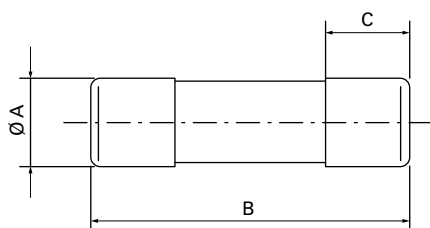
Catalogue numbers	Rated voltage	Rated current (Amps)	Breaking capacity	Operating class	Pack quantity	Compatible fuse holder
C14M0-25	690 V a.c.	0.25	120 kA at 690 V a.c.	aM	10	CH14 range
C14M0.5	690 V a.c.	0.5	120 kA at 690 V a.c.	aM	10	
C14M1	690 V a.c.	1	80 kA at 690 V a.c.	aM	10	
C14M2	690 V a.c.	2	80 kA at 690 V a.c.	aM	10	
C14M4	690 V a.c.	4	80 kA at 690 V a.c.	aM	10	
C14M6	690 V a.c.	6	80 kA at 690 V a.c.	aM	10	
C14M8	690 V a.c.	8	80 kA at 690 V a.c.	aM	10	
C14M10	690 V a.c.	10	80 kA at 690 V a.c.	aM	10	
C14M12	690 V a.c.	12	80 kA at 690 V a.c.	aM	10	
C14M16	690 V a.c.	16	80 kA at 690 V a.c.	aM	10	
C14M20	690 V a.c.	20	80 kA at 690 V a.c.	aM	10	
C14M25	690 V a.c.	25	80 kA at 690 V a.c.	aM	10	
C14M32	500 V a.c.	32	120 kA at 500 V a.c.	aM	10	
C14M40	500 V a.c.	40	120 kA at 500 V a.c.	aM	10	
C14M50	400 V a.c.	50	120 kA at 400 V a.c.	aM	10	

14 x 51 mm, Class aM, 400 and 500 V a.c., 2 to 50 A, with striker

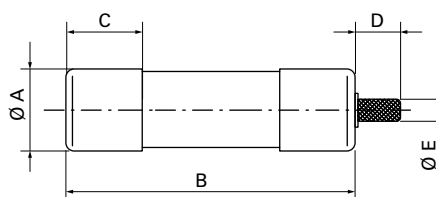


Catalogue numbers	Rated voltage	Rated current (Amps)	Breaking capacity	Operating class	Pack quantity	Compatible fuse holder
C14M2S	500 V a.c.	2	120 kA at 500 V a.c.	aM	10	CH14 range
C14M4S	500 V a.c.	4	120 kA at 500 V a.c.	aM	10	
C14M6S	500 V a.c.	6	120 kA at 500 V a.c.	aM	10	
C14M8S	500 V a.c.	8	120 kA at 500 V a.c.	aM	10	
C14M10S	500 V a.c.	10	120 kA at 500 V a.c.	aM	10	
C14M12S	500 V a.c.	12	120 kA at 500 V a.c.	aM	10	
C14M16S	500 V a.c.	16	120 kA at 500 V a.c.	aM	10	
C14M20S	500 V a.c.	20	120 kA at 500 V a.c.	aM	10	
C14M25S	500 V a.c.	25	120 kA at 500 V a.c.	aM	10	
C14M32S	500 V a.c.	32	120 kA at 500 V a.c.	aM	10	
C14M40S	500 V a.c.	40	120 kA at 500 V a.c.	aM	10	
C14M50S	400 V a.c.	50	120 kA at 400 V a.c.	aM	10	

Dimensions - mm



Catalogue numbers	A	B	C
C14M	14.3	51	13



Catalogue numbers	A	B	C	D	E
C14M with striker	14.3	51	13	8	4

Data sheet: 720115

1.8

Cylindrical industrial fuse links

Class aM, sizes 10 x 38, 14 x 51 and 22 x 58 mm fuse links

Class aM, sizes 10 x 38, 14 x 51 and 22 x 58 mm fuse links

22 x 58 mm, Class aM, 400, 500 and 690 V a.c., 2 to 125 A, without indicator



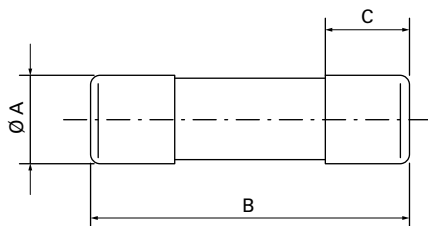
Catalogue numbers	Rated voltage	Rated current (Amps)	Breaking capacity	Operating class	Pack quantity	Compatible fuse holder
C22M2	690 V a.c.	2	80 kA at 690 V a.c.	aM	10	CH22 range
C22M4	690 V a.c.	4	80 kA at 690 V a.c.	aM	10	
C22M6	690 V a.c.	6	80 kA at 690 V a.c.	aM	10	
C22M8	690 V a.c.	8	80 kA at 690 V a.c.	aM	10	
C22M10	690 V a.c.	10	80 kA at 690 V a.c.	aM	10	
C22M12	690 V a.c.	12	80 kA at 690 V a.c.	aM	10	
C22M16	690 V a.c.	16	80 kA at 690 V a.c.	aM	10	
C22M20	690 V a.c.	20	80 kA at 690 V a.c.	aM	10	
C22M25	690 V a.c.	25	80 kA at 690 V a.c.	aM	10	
C22M32	690 V a.c.	32	80 kA at 690 V a.c.	aM	10	
C22M40	690 V a.c.	40	80 kA at 690 V a.c.	aM	10	
C22M50	690 V a.c.	50	80 kA at 690 V a.c.	aM	10	
C22M63	690 V a.c.	63	80 kA at 690 V a.c.	aM	10	
C22M80	500 V a.c.	80	120 kA at 500 V a.c.	aM	10	
C22M100	500 V a.c.	100	120 kA at 500 V a.c.	aM	10	
C22M125	400 V a.c.	125	120 kA at 400 V a.c.	aM	10	

22 x 58 mm, Class aM, 400, 500 and 690 V a.c., 12 to 125 A, with striker

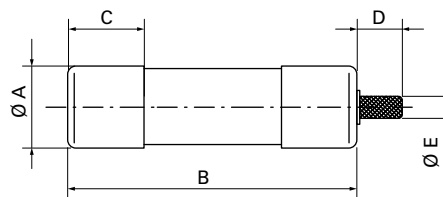


Catalogue numbers	Rated voltage	Rated current (Amps)	Breaking capacity	Operating class	Pack quantity	Compatible fuse holder
C22M12S	690 V a.c.	12	80 kA at 690 V a.c.	aM	10	CH22 range
C22M16S	690 V a.c.	16	80 kA at 690 V a.c.	aM	10	
C22M20S	690 V a.c.	20	80 kA at 690 V a.c.	aM	10	
C22M25S	690 V a.c.	25	80 kA at 690 V a.c.	aM	10	
C22M32S	690 V a.c.	32	80 kA at 690 V a.c.	aM	10	
C22M40S	690 V a.c.	40	80 kA at 690 V a.c.	aM	10	
C22M50S	690 V a.c.	50	80 kA at 690 V a.c.	aM	10	
C22M63S	690 V a.c.	63	80 kA at 690 V a.c.	aM	10	
C22M80S	500 V a.c.	80	120 kA at 500 V a.c.	aM	10	
C22M100S	500 V a.c.	100	120 kA at 500 V a.c.	aM	10	
C22M125S	400 V a.c.	125	120 kA at 400 V a.c.	aM	10	

Dimensions - mm



Catalogue numbers	A	B	C
C22M	22	58	16

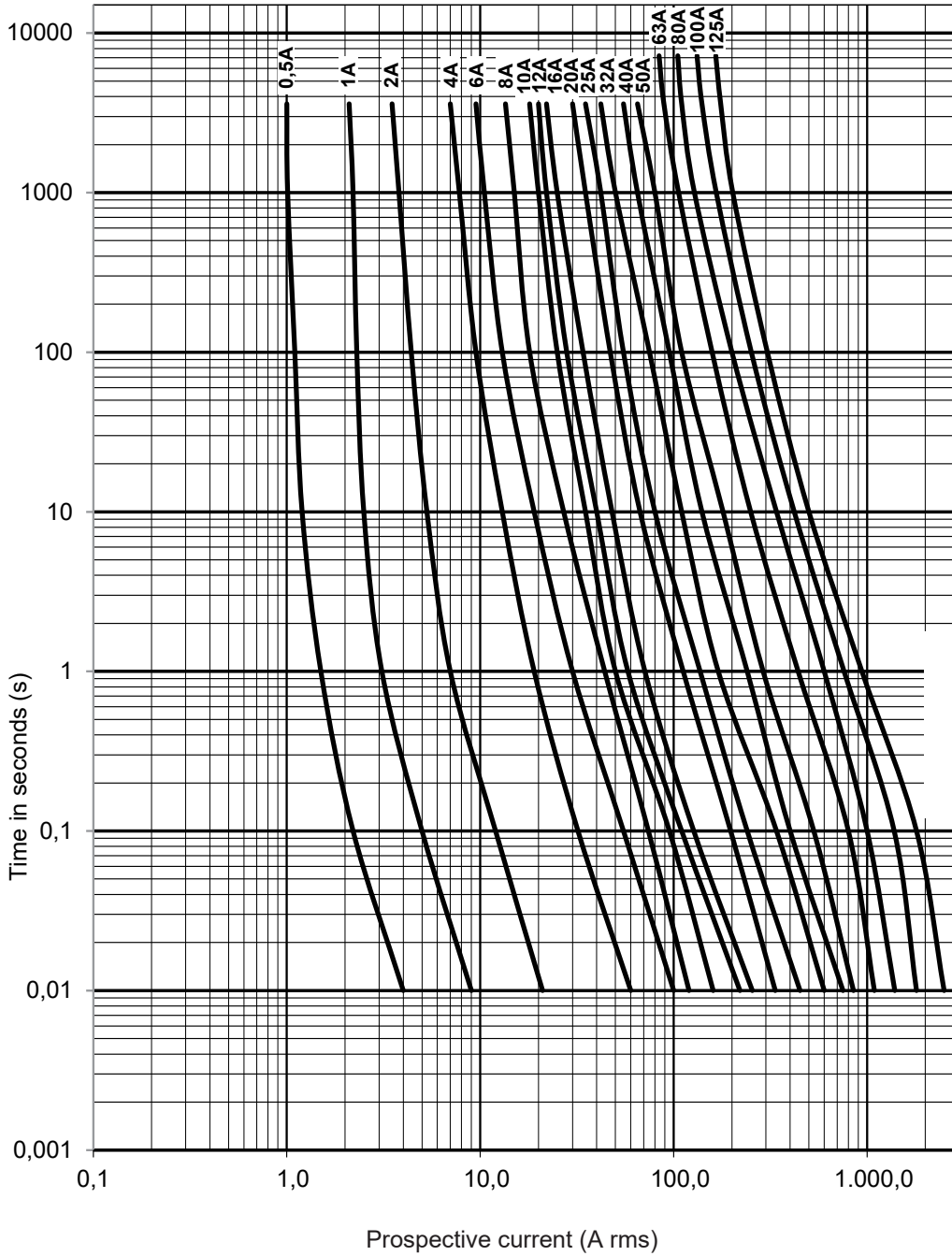


Catalogue numbers	A	B	C	D	E
C22M with striker	22	58	16	8	4

Data sheet: 720115

Time-current curves

Class gG Fuse links



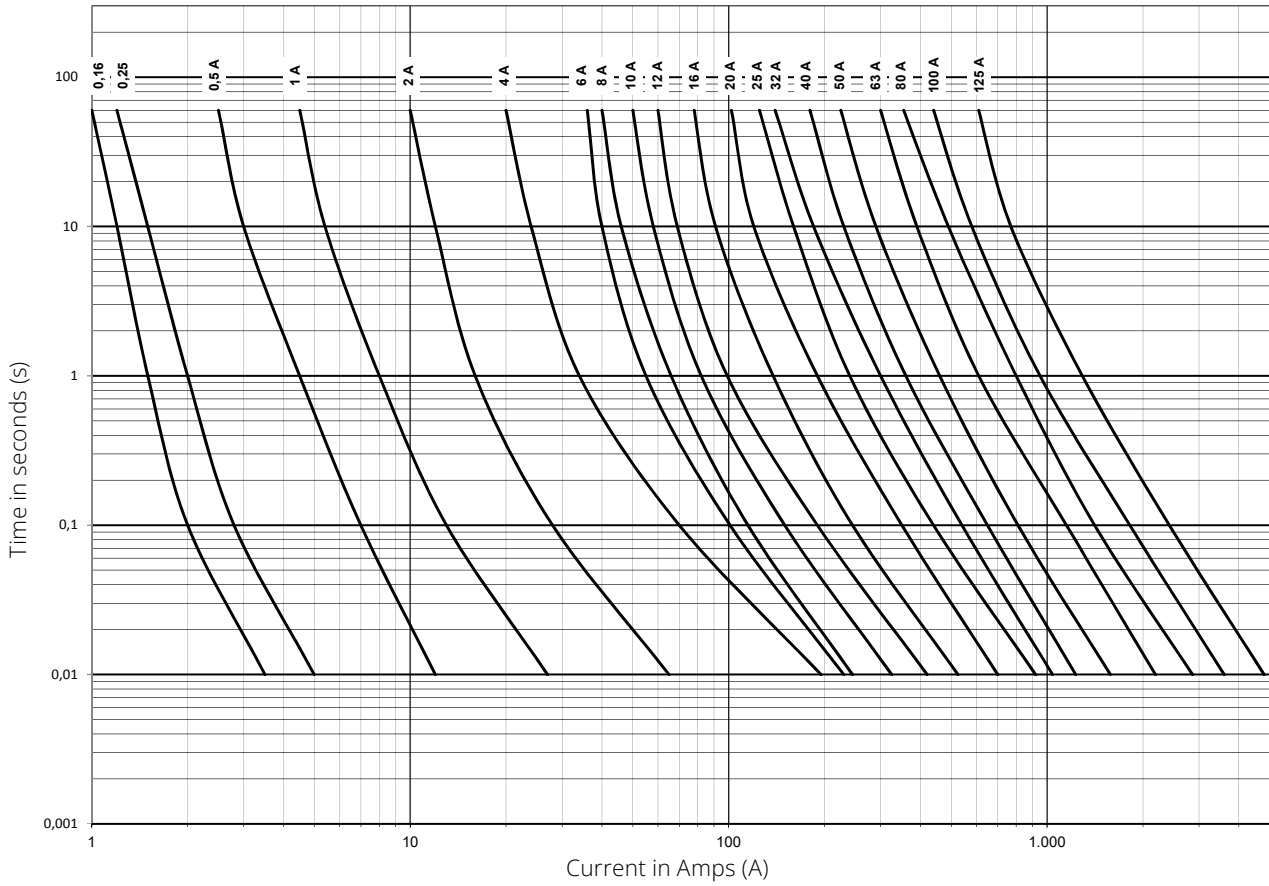
1.8

Cylindrical industrial fuse links

Time-current curve

Time-current curve

Class aM fuse links



10 x38 mm CH Modular fuse holders

Specifications

Description

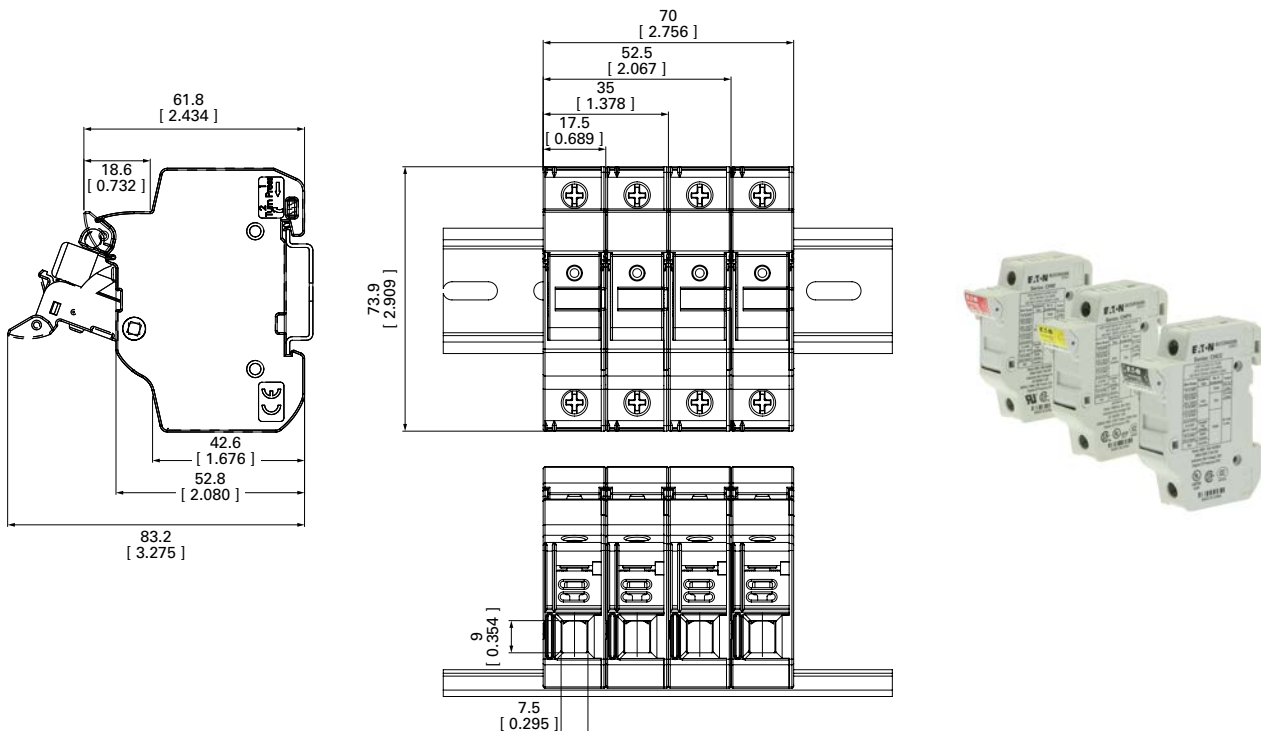
Modular fuse holders specifically designed for the protection of general industrial and commercial applications such as power distribution, lighting, cable and motor protection.

Product selection

10 x 38 mm, CHM

Series & size		With indicator	Without indicator	Rated voltage & rated current	Agency markings	Number of poles	Terminal rating	Rated breaking capacity	Compatible fuse links
CHM 10x38 and Midget	CHM1DIU	CHM1DU	IEC 690 V a.c./32 A UL 600 V a.c./30 A;	IEC 60269-2 UR; CSA; CCC	1	IEC: 1 to 25mm ² 70°C PVC/Copper Cable	Solid, Stranded, Fine Stranded, Spade Lug, Comb Bus Bar; Single and Dual	IEC 120 kA rms sym UL 200 kA rms sym CCC 100 kA rms sym	IEC: C10G and C10M Series UL: FNQ, KLM, FNM, KTK, BAF, FWA, PVM, AGU, BAN, FWC.
	CHM2DIU	CHM2DU			2				
	CHM3DIU	CHM3DU			3				
	CHM4DIU	CHM4DU			4				
	CHM1DNIU	CHM1DNU			1-pole + 1 neutral				
	CHM3DNIU	CHM3DNU			3-pole + 1 neutral				
	CHM1DI-48U	N/A	IEC 48 V d.c./32 A UL 48 V d.c./30 A;	IEC 60269-2; UR; CSA; CCC	1	N/A	N/A		
	N/A	CHM1DNXU	IEC 690 V a.c./32 A	IEC 60269-2	1 neutral				
CHPV Photovoltaic	CHPV1IU	CHPV1U	IEC 1000 V d.c./32 A UL 1000 V d.c./30 A;	IEC 60269-1 UR; CSA; CCC UL4248-18	1	Cable 75C and 90°C Cu cable # 18 to # 4 AWG	200 kA rms sym	Solar PV series, PVM, PV-xxA10F	
	CHPV2IU	CHPV2U			2				
CHCC Class CC	CHCC1DIU	CHCC1DU	UL 600 V a.c./d.c. 30 A	UL; CSA; CCC	1	Cable 75C and 90°C Cu cable # 18 to # 4 AWG	200 kA rms sym	LP-CC, FNQ-R, KTK-R	
	CHCC2DIU	CHCC2DU			2				
	CHCC3DIU	CHCC3DU			3				
	N/A	CHCC1DI-48U	UL 48 V d.c./30 A	1					

Dimensions - mm



Data sheet: 720147

1.9

Modular cylindrical fuse holders

14 x 51 mm CH Modular fuse holders

14 x 51 mm CH Modular fuse holders

14 x 51 mm, CH14



Fuse holder description	Number of poles	Catalogue numbers	Rated voltage	Rated current (Amps)	Compatible fuse links
Neutral only	1	CH141DNXU	690 V a.c. / 750 V d.c.	50	C14G and C14M
Fuse holder only	1	CH141DU	690 V a.c. / 750 V d.c.	50	
Fuse holder only	2	CH142DU	690 V a.c. / 750 V d.c.	50	
Fuse holder only	3	CH143DU	690 V a.c. / 750 V d.c.	50	
Fuse holder only	4	CH144DU	690 V a.c. / 750 V d.c.	50	
Fuse holder and neutral	2	CH141DNU	690 V a.c. / 750 V d.c.	50	
Fuse holder and neutral	4	CH143DNU	690 V a.c. / 750 V d.c.	50	
Fuse holder with neon indicator	1	CH141DIU	690 V a.c. / 750 V d.c.	50	
Fuse holder with neon indicator	2	CH142DIU	690 V a.c. / 750 V d.c.	50	
Fuse holder with neon indicator	3	CH143DIU	690 V a.c. / 750 V d.c.	50	
Fuse holder with neon indicator	4	CH144DIU	690 V a.c. / 750 V d.c.	50	
Fuse holder with neon indicator and neutral	2	CH141DNIU	690 V a.c. / 750 V d.c.	50	
Fuse holder with neon indicator and neutral	4	CH143DNIU	690 V a.c. / 750 V d.c.	50	
Fuse holder with microswitch	1	CH141DMSU-F	690 V a.c. / 750 V d.c.	50	
Fuse holder with microswitch	3	CH143DMSU-F	690 V a.c. / 750 V d.c.	50	
Fuse holder with microswitch and neutral	4	CH143DNMSU-F	690 V a.c. / 750 V d.c.	50	
Fuse holder for photovoltaic application	1	CHPV141U	1500 V d.c.	50	PV-A14F refer to data sheet 720132
Fuse holder for photovoltaic application	2	CHPV142U	1500 V d.c.	50	
Fuse holder for photovoltaic application with neon indicator	1	CHPV141IU	1500 V d.c.	50	
Fuse holder for photovoltaic application with neon indicator	2	CHPV142IU	1500 V d.c.	50	

Technical data

Agency markings	Terminal ratings	Pack quantity
IEC 60269-1 and -2	2.5 - 50mm ²	1 pole: 6 2 pole: 3 3 pole: 2 4 pole: 1

Accessories

Catalogue numbers	Description	Pack quantity
JV-L	Multi pole connector kit. One kit will gang up to 4 poles together	12
CH14-SPS	Microswitch to work with CH141D(I)U, 1 n/o + 1 n/c changeover type	3
CH14-TPS	Microswitch to work with CH143D(I)U, 1 n/o changeover type	3
CH14-CTP	IP20 Protection accessory, provides IP20 protection to terminals with 10 mm ² or less cable	12



JV-L

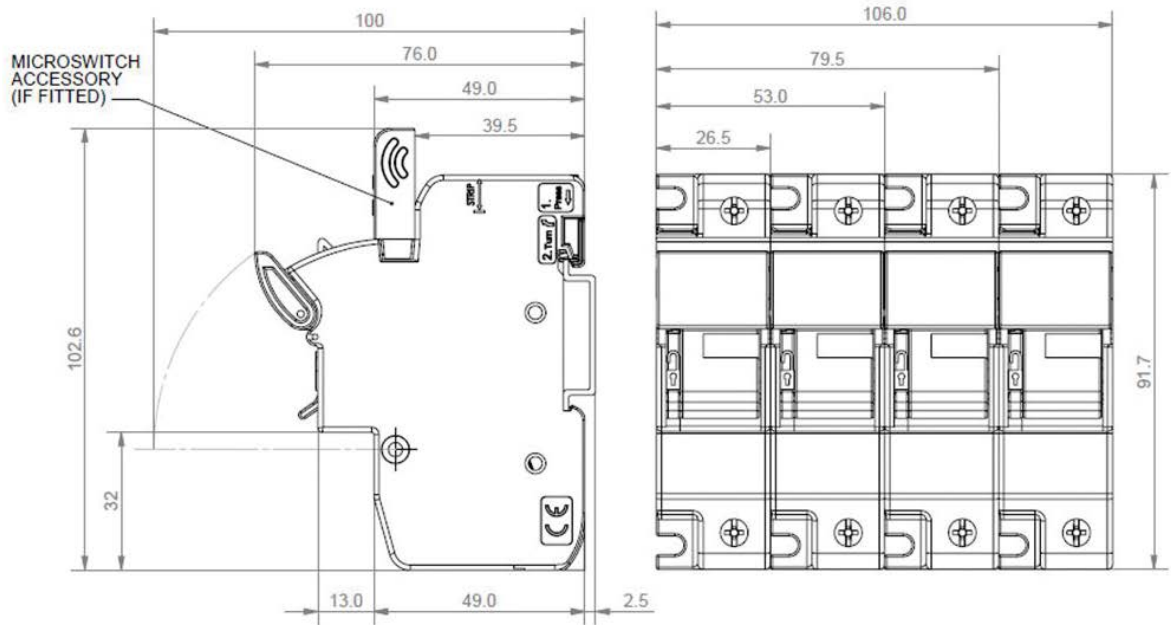
CH14-SPS

CH14-TPS

14 x 51 mm CH Modular fuse holders

14 x 51 mm, CH14

Dimensions - mm



Data sheet: 10080

1.9

Modular cylindrical fuse holders

22 x 58 mm CH Modular fuse holders

22 x 58 mm CH Modular fuse holders

22 x 58 mm, CH22



Fuse holder description	Number of poles	Catalogue numbers	Rated current (Amps)	Rated voltage	Compatible fuse links
Neutral only	1	CH221DNXU	125 A	690 V a.c./ 1000 V d.c.	C22G and C22M
Fuse holder only	1	CH221DU	125 A	690 V a.c./ 1000 V d.c.	
Fuse holder only	2	CH222DU	125 A	690 V a.c./ 1000 V d.c.	
Fuse holder only	3	CH223DU	125 A	690 V a.c./ 1000 V d.c.	
Fuse holder only	4	CH224DU	125 A	690 V a.c./ 1000 V d.c.	
Fuse holder with neon indicator	1	CH221DIU	125 A	690 V a.c./ 1000 V d.c.	
Fuse holder with neon indicator	2	CH222DIU	125 A	690 V a.c./ 1000 V d.c.	
Fuse holder with neon indicator	3	CH223DIU	125 A	690 V a.c./ 1000 V d.c.	
Fuse holder with neon indicator	4	CH224DIU	125 A	690 V a.c./ 1000 V d.c.	
Fuse holder and neutral	2	CH221DNU	125 A	690 V a.c./ 1000 V d.c.	
Fuse holder and neutral	4	CH223DNU	125 A	690 V a.c./ 1000 V d.c.	
Fuse holder with neon indicator and neutral	2	CH221DNIU	125 A	690 V a.c./ 1000 V d.c.	
Fuse holder with neon indicator and neutral	4	CH223DNIU	125 A	690 V a.c./ 1000 V d.c.	
Fuse holder with microswitch	1	CH221DMSU-F	125 A	690 V a.c./ 1000 V d.c.	
Fuse holder with microswitch	3	CH223DMSU-F	125 A	690 V a.c./ 1000 V d.c.	
Fuse holder with neutral and microswitch	3	CH223DNMSU-F	125 A	690 V a.c./ 1000 V d.c.	

Technical data

Agency markings	Terminal ratings	Pack quantity
IEC 60269-1 and -2	4 - 50 mm ²	1 pole: 6 2 pole: 3 3 pole: 2 4 pole: 1

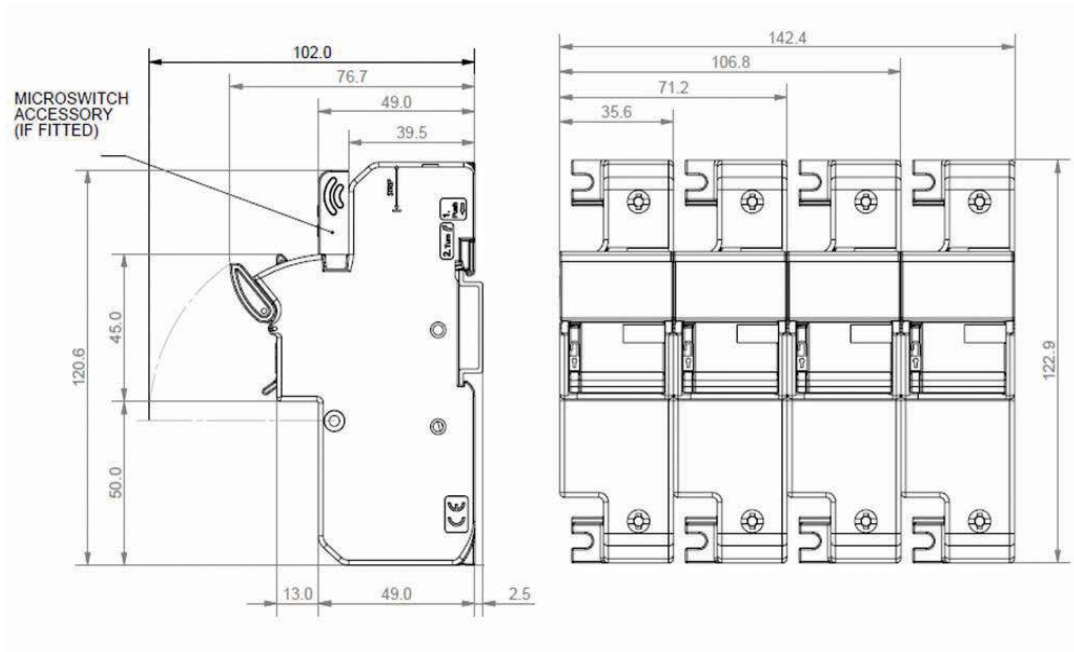
Accessories

Catalogue numbers	Description	Pack quantity
JV-L	Multi-pole connector kit. One kit will gang up to 4 poles together	12
CH22-CTP	IP20 protection accessory, provide IP20 protection to terminals with 10 mm ² or less cable	12
CH22-SPS	1 pole microswitch accessory for fuse operation/presence and pre-disconnect remote indication	3
CH22-TPS	3 pole microswitch accessory for fuse operation/presence and pre-disconnect remote indication	3

Data sheet: 10115

22 x 58 mm CH Modular fuse holders

Dimensions - mm



Data sheet: 10115

1.10

NH Fuse links

400 V a.c., class gFF, 10 to 630 Amps, sizes 000 to 3 NH fuse links

400 V a.c., class gFF, 10 to 630 Amps, sizes 000 to 3 NH fuse links

Specifications

Description

A square bodied range of industrial fuse links for a wide variety of applications.

Standard/agency information

IEC 60269-1 and 2, VDE 0636, DIN 43620 and CE

Technical data

Sizes: 000 to 3
 Rated voltage: 400 V a.c.
 Rated current: 10 to 630 A
 Operating class: gFF
 Breaking capacity: 120 kA AC
 Rated frequency: 50Hz
 Operating frequency: 45-62 Hz

Product selection

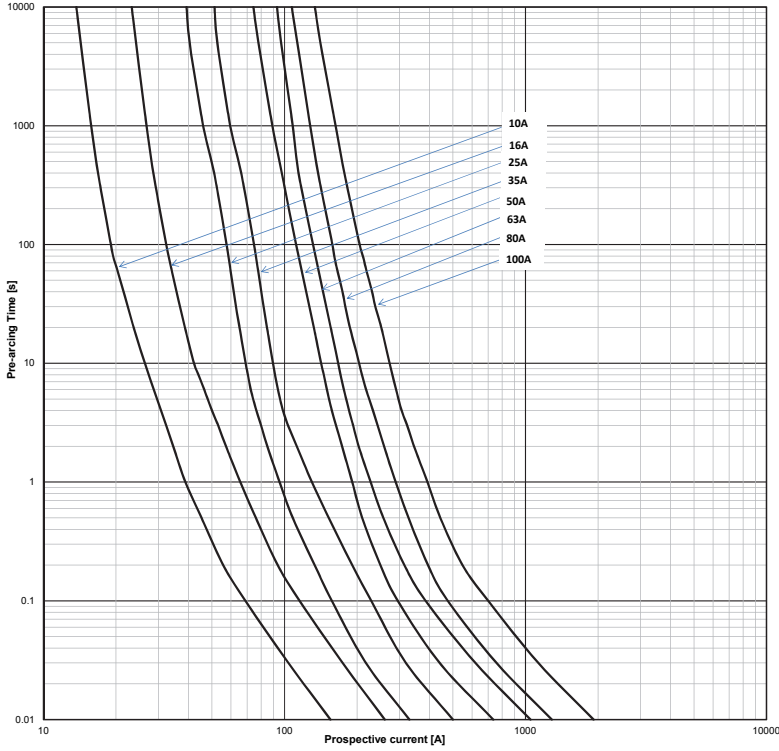


Size	Rated voltage	Rated current (Amps)	Catalogue numbers		Compatible fuse bases
			Insulated Metal Gripping Lugs	Dual indicator	
000	400 V a.c.	10	10NHFF000BI-400	Pack quantity: 3	SD00-D
000	400 V a.c.	16	16NHFF000BI-400	Pack quantity: 3	SD00-D
000	400 V a.c.	25	25NHFF000BI-400	Pack quantity: 3	SD00-D
000	400 V a.c.	35	35NHFF000BI-400	Pack quantity: 3	SD00-D
000	400 V a.c.	50	50NHFF000BI-400	Pack quantity: 3	SD00-D
000	400 V a.c.	63	63NHFF000BI-400	Pack quantity: 3	SD00-D
000	400 V a.c.	80	80NHFF000BI-400	Pack quantity: 3	SD00-D
000	400 V a.c.	100	100NHFF000BI-400	Pack quantity: 3	SD00-D
000	400 V a.c.	63	63NHFF00BI-400	Pack quantity: 3	SD00-D
000	400 V a.c.	80	80NHFF00BI-400	Pack quantity: 3	SD00-D
000	400 V a.c.	100	100NHFF00BI-400	Pack quantity: 3	SD00-D
000	400 V a.c.	125	125NHFF00BI-400	Pack quantity: 3	SD00-D
000	400 V a.c.	160	160NHFF00BI-400	Pack quantity: 3	SD00-D
000	400 V a.c.	35	35NHFF1BI-400	Pack quantity: 3	SD00-D
00	400 V a.c.	50	50NHFF1BI-400	Pack quantity: 3	SD00-D
00	400 V a.c.	63	63NHFF1BI-400	Pack quantity: 3	SD00-D
01	400 V a.c.	80	80NHFF1BI-400	Pack quantity: 3	SD1-D
01	400 V a.c.	100	100NHFF1BI-400	Pack quantity: 3	SD1-D
01	400 V a.c.	125	125NHFF1BI-400	Pack quantity: 3	SD1-D
01	400 V a.c.	160	160NHFF1BI-400	Pack quantity: 3	SD1-D
01	400 V a.c.	200	200NHFF1BI-400	Pack quantity: 3	SD1-D
01	400 V a.c.	224	224NHFF1BI-400	Pack quantity: 3	SD1-D
01	400 V a.c.	250	250NHFF1BI-400	Pack quantity: 3	SD1-D
02	400 V a.c.	160	160NHFF02BI-400	Pack quantity: 3	SD2-D
02	400 V a.c.	200	200NHFF02BI-400	Pack quantity: 3	SD2-D
02	400 V a.c.	250	250NHFF02BI-400	Pack quantity: 3	SD2-D
2	400 V a.c.	315	315NHFF2BI-400	Pack quantity: 3	SD2-D
2	400 V a.c.	355	355NHFF2BI-400	Pack quantity: 3	SD2-D
2	400 V a.c.	400	400NHFF2BI-400	Pack quantity: 3	SD2-D
2	400 V a.c.	450	450NHFF3BI-400	Pack quantity: 3	SD2-D
2	400 V a.c.	500	500NHFF3BI-400	Pack quantity: 3	SD2-D
2	400 V a.c.	630	630NHFF3BI-400	Pack quantity: 3	SD2-D

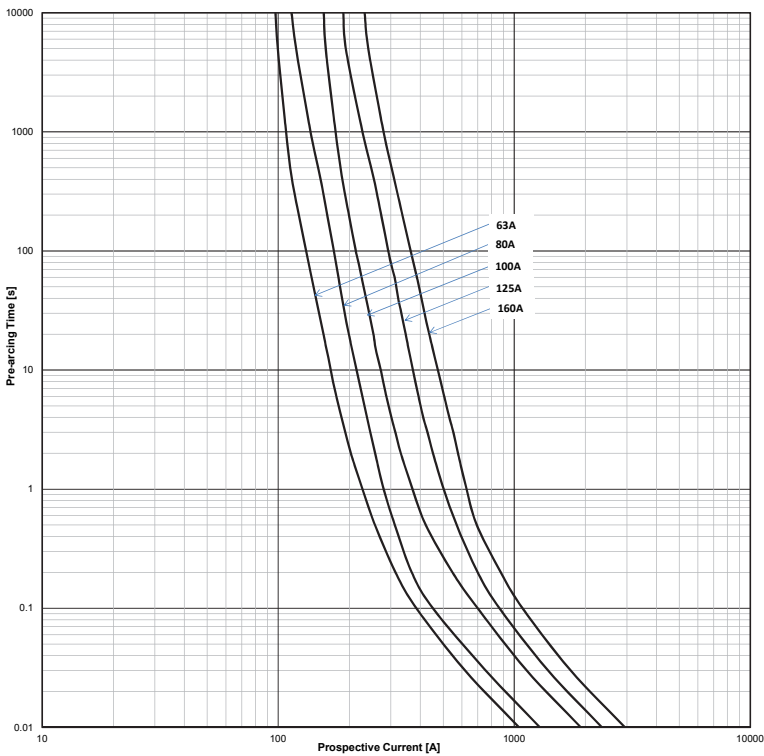
Data sheet: 10623

Time-current curves

Size 000



Size 00



Data sheet: 10623

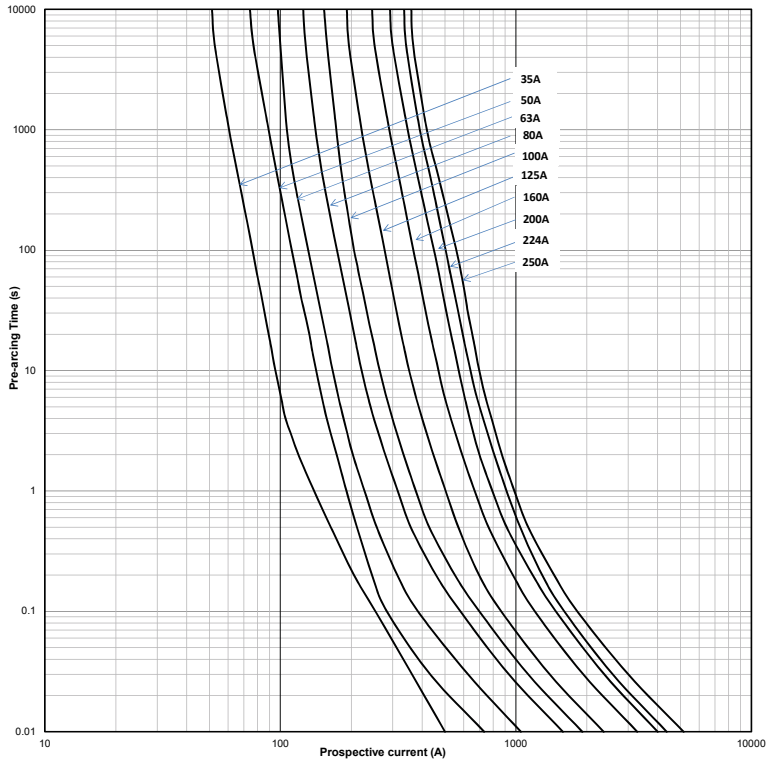
1.10

NH Fuse links

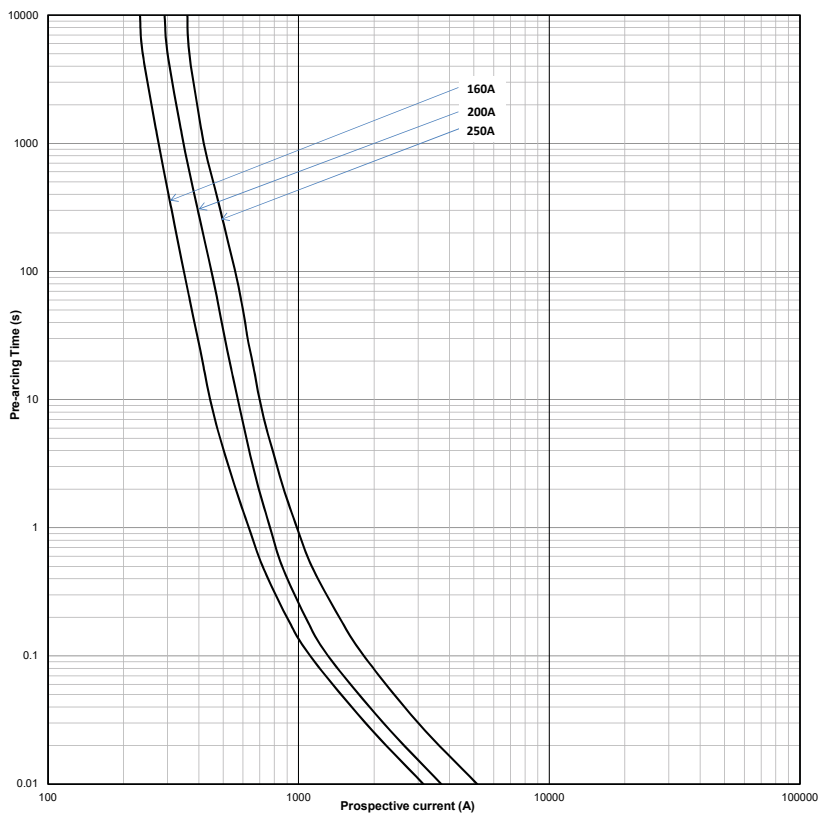
Time-current curves

Time-current curves

Size 1



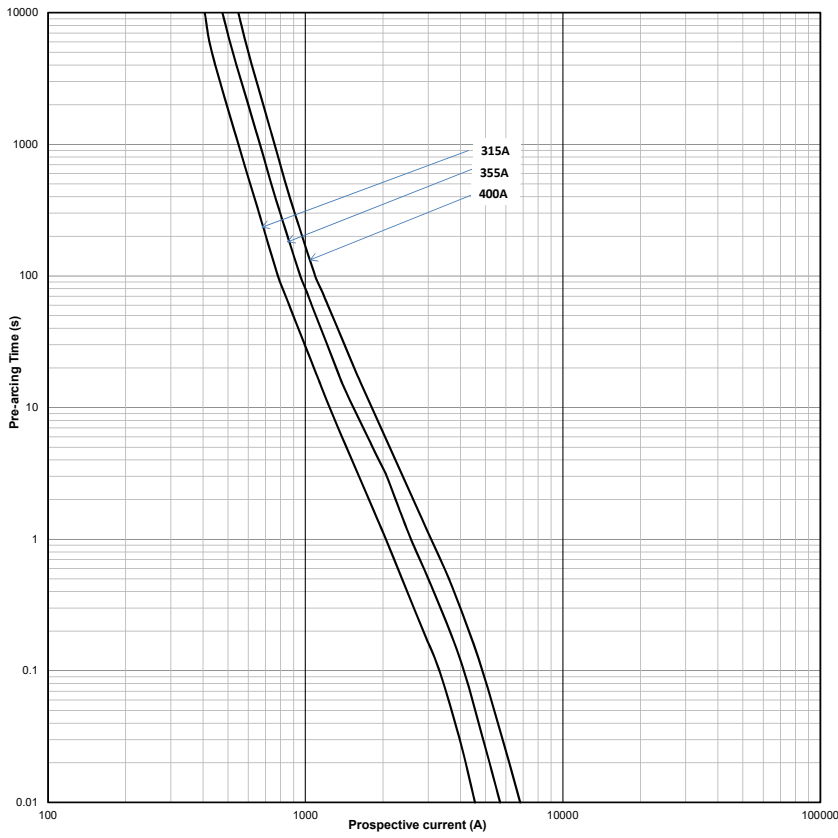
Size 02



Data sheet: 10623

Time-current curves

Size 2



1.10

NH Fuse links

400 V a.c., class gG/gL, 2 to 630 Amps, sizes 000 to 3 NH fuse links

400 V a.c., class gG/gL, 2 to 630 Amps, sizes 000 to 3 NH fuse links

Specifications

Description

A square bodied range of industrial fuse links for a wide variety of applications.

Standard/agency information

IEC 60269-1 and 2, VDE 0636, DIN 43620 and CE

Technical data

Sizes 000 to 3
 Rated voltage: 400 V a.c.
 Rated current: 2 to 630 A
 Operating class: gG/gL
 Breaking capacity: 120 kA AC
 Rated frequency: 50Hz
 Operating frequency: 45-62 Hz

Product selection



Size	Rated voltage	Rated current (Amps)	Catalogue numbers		Pack quantity	Compatible fuse bases
			Voltage conducting metal gripping lugs	Insulated Metal Gripping Lugs		
000	400 V a.c.	2	2NHG000B-400	2NHG000BI-400	3	SD00-D
000	400 V a.c.	4	4NHG000B-400	4NHG000BI-400	3	SD00-D
000	400 V a.c.	6	6NHG000B-400	6NHG000BI-400	3	SD00-D
000	400 V a.c.	10	10NHG000B-400	10NHG000BI-400	3	SD00-D
000	400 V a.c.	16	16NHG000B-400	16NHG000BI-400	3	SD00-D
000	400 V a.c.	20	20NHG000B-400	20NHG000BI-400	3	SD00-D
000	400 V a.c.	25	25NHG000B-400	25NHG000BI-400	3	SD00-D
000	400 V a.c.	32	32NHG000B-400	32NHG000BI-400	3	SD00-D
000	400 V a.c.	35	35NHG000B-400	35NHG000BI-400	3	SD00-D
000	400 V a.c.	40	40NHG000B-400	40NHG000BI-400	3	SD00-D
000	400 V a.c.	50	50NHG000B-400	50NHG000BI-400	3	SD00-D
000	400 V a.c.	63	63NHG000B-400	63NHG000BI-400	3	SD00-D
000	400 V a.c.	80	80NHG000B-400	80NHG000BI-400	3	SD00-D
00	400 V a.c.	100	100NHG000B-400	100NHG000BI-400	3	SD00-D
00	400 V a.c.	125	125NHG000B-400	125NHG000BI-400	3	SD00-D
00	400 V a.c.	160	160NHG000B-400	160NHG000BI-400	3	SD00-D
01	400 V a.c.	35	35NHG01B-400	35NHG01BI-400	3	SD1-D
01	400 V a.c.	40	40NHG01B-400	40NHG01BI-400	3	SD1-D
01	400 V a.c.	50	50NHG01B-400	50NHG01BI-400	3	SD1-D
01	400 V a.c.	63	63NHG01B-400	63NHG01BI-400	3	SD1-D
01	400 V a.c.	80	80NHG01B-400	80NHG01BI-400	3	SD1-D
01	400 V a.c.	100	100NHG01B-400	100NHG01BI-400	3	SD1-D
01	400 V a.c.	125	125NHG01B-400	125NHG01BI-400	3	SD1-D
01	400 V a.c.	160	160NHG01B-400	160NHG01BI-400	3	SD1-D
1	400 V a.c.	200	200NHG1B-400	200NHG1BI-400	3	SD1-D
1	400 V a.c.	224	224NHG1B-400	224NHG1BI-400	3	SD1-D
1	400 V a.c.	250	250NHG1B-400	250NHG1BI-400	3	SD1-D

Data sheet: 720099

400 V a.c., class gG/gL, 2 to 630 Amps, sizes 000 to 3 NH fuse links

Product selection



Size	Rated voltage	Rated current (Amps)	Catalogue numbers		Pack quantity	Compatible fuse bases
			Voltage conducting metal gripping lugs	Insulated Metal Gripping Lugs		
02	400 V a.c.	35	35NHG02B-400	35NHG02BI-400	3	SD2-D
02	400 V a.c.	40	40NHG02B-400	40NHG02BI-400	3	SD2-D
02	400 V a.c.	50	50NHG02B-400	50NHG02BI-400	3	SD2-D
02	400 V a.c.	63	63NHG02B-400	63NHG02BI-400	3	SD2-D
02	400 V a.c.	80	80NHG02B-400	80NHG02BI-400	3	SD2-D
02	400 V a.c.	100	100NHG02B-400	100NHG02BI-400	3	SD2-D
02	400 V a.c.	125	125NHG02B-400	125NHG02BI-400	3	SD2-D
02	400 V a.c.	160	160NHG02B-400	160NHG02BI-400	3	SD2-D
02	400 V a.c.	200	200NHG02B-400	200NHG02BI-400	3	SD2-D
02	400 V a.c.	224	224NHG02B-400	224NHG02BI-400	3	SD2-D
02	400 V a.c.	250	250NHG02B-400	250NHG02BI-400	3	SD2-D
2	400 V a.c.	315	315NHG2B-400	315NHG2BI-400	3	SD2-D
2	400 V a.c.	355	355NHG2B-400	355NHG2BI-400	3	SD2-D
2	400 V a.c.	400	400NHG2B-400	400NHG2BI-400	3	SD2-D
2	400 V a.c.	630	630NHG2B-400	-	3	SD2-D
03	400 V a.c.	250	250NHG03B-400	250NHG03BI-400	3	SD3-D
03	400 V a.c.	315	315NHG03B-400	315NHG03BI-400	3	SD3-D
03	400 V a.c.	355	355NHG03B-400	355NHG03BI-400	3	SD3-D
03	400 V a.c.	400	400NHG03B-400	400NHG03BI-400	3	SD3-D
3	400 V a.c.	500	500NHG3B-400	500NHG3BI-400	3	SD3-D
3	400 V a.c.	630	630NHG3B-400	630NHG3BI-400	3	SD3-D

Data sheet: 720099

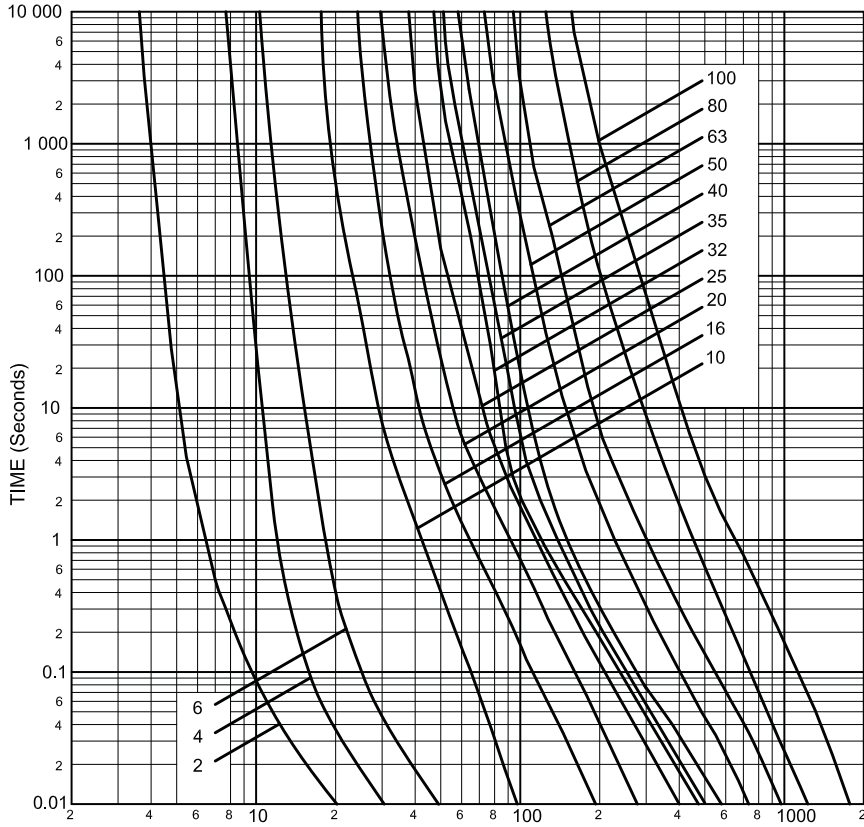
1.10

NH Fuse links

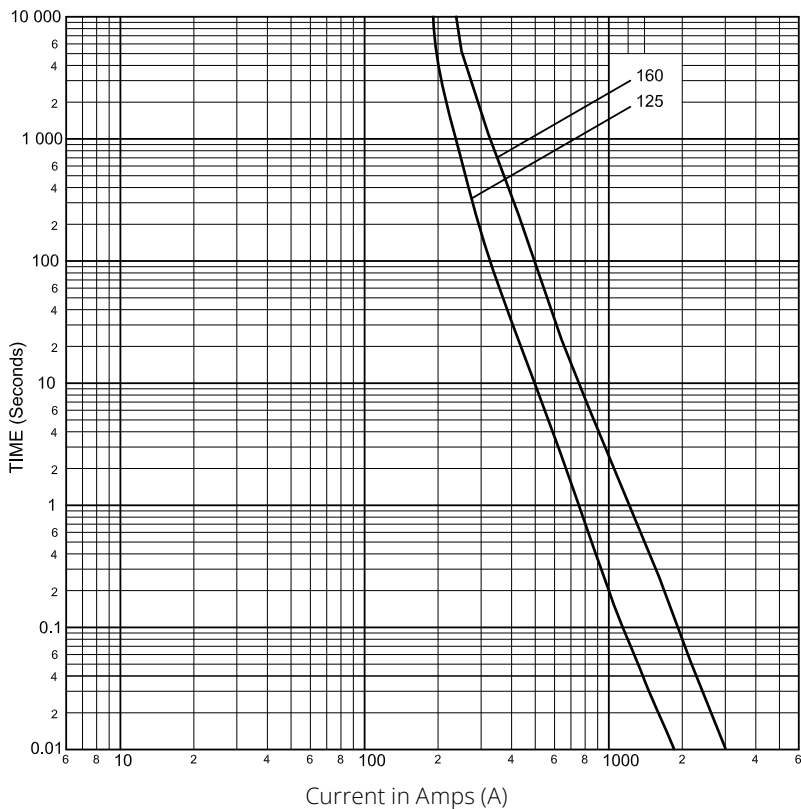
Time-current curves

Time-current curves

Size 000



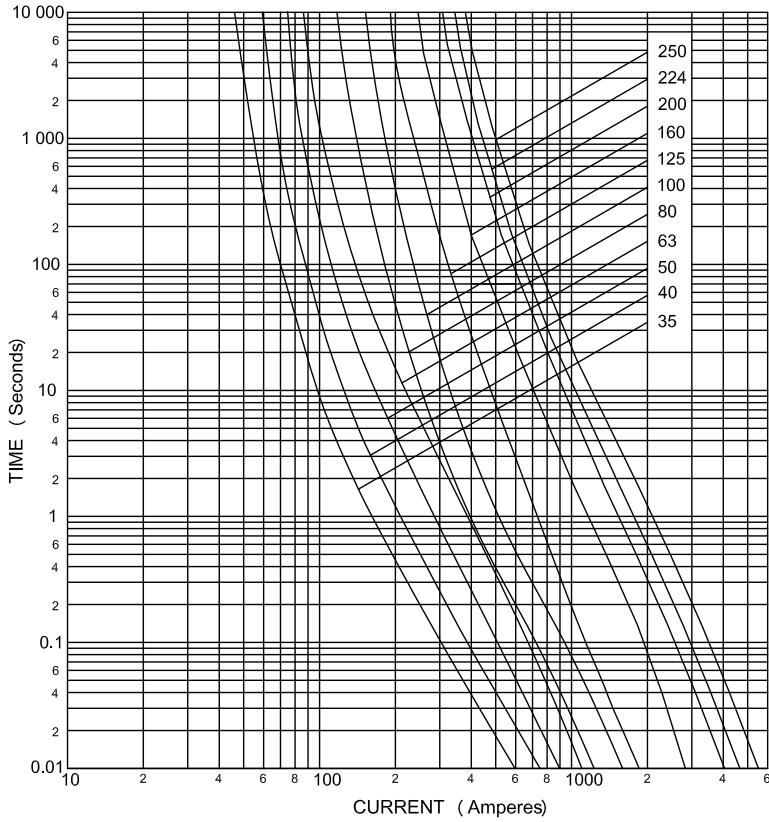
Size 00



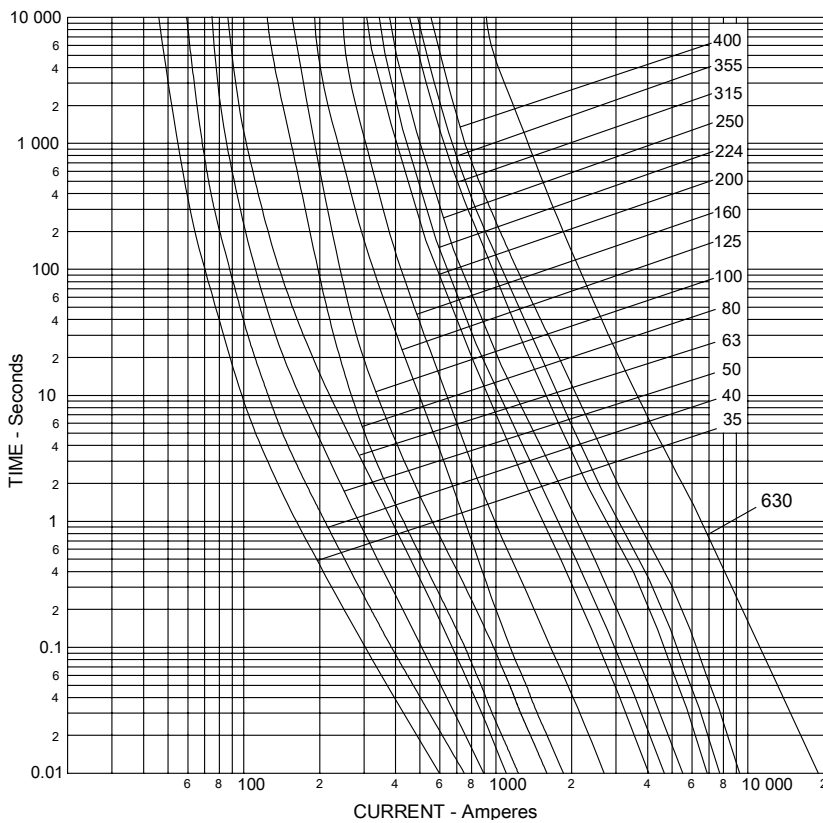
Data sheet: 720099

Time-current curves

Sizes 01 and 1



Size 2



Data sheet: 720099

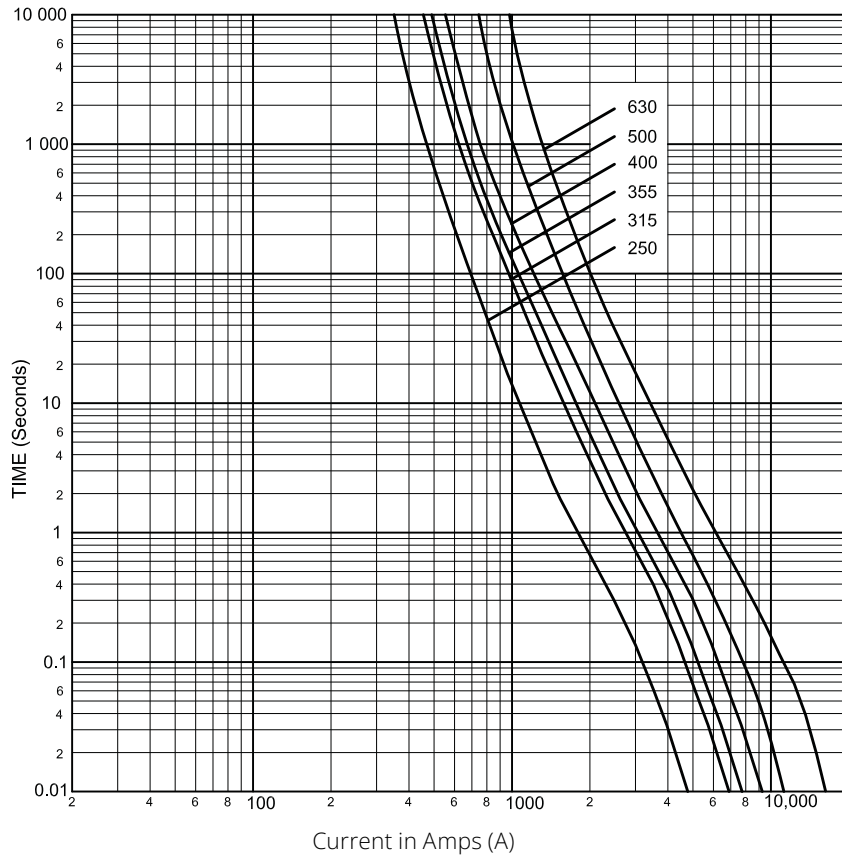
1.10

NH Fuse links

Time-current curves

Time-current curves

Size 3



500 V a.c., class gG/gL, 2 to 1250 Amps, sizes 000 to 4 NH fuse links

500 V a.c., class gG/gL, 2 to 1250 Amps, sizes 000 to 4 NH fuse links

Specifications

Description

A square bodied range of industrial fuse links for a wide variety of applications.

Standard/agency information

IEC 60269-1 and 2, VDE 0636, DIN 43620 and CE

Technical data

Sizes 000 to 4
 Rated voltage: 500 V a.c.
 Rated current: 2 to 1250 A
 Operating class: gG/gL
 Breaking capacity: 120 kA AC
 Operating frequency: 45-62 Hz

Product selection



Size	Rated voltage	Rated current (Amps)	Catalogue numbers		Pack quantity	Compatible fuse bases
			Voltage conducting metal gripping lugs	Insulated metal gripping lugs		
000	500 V a.c.	2	2NHG000B	2NHG000BI	3	SD00-D
000	500 V a.c.	4	4NHG000B	4NHG000BI	3	SD00-D
000	500 V a.c.	6	6NHG000B	6NHG000BI	3	SD00-D
000	500 V a.c.	10	10NHG000B	10NHG000BI	3	SD00-D
000	500 V a.c.	16	16NHG000B	16NHG000BI	3	SD00-D
000	500 V a.c.	20	20NHG000B	20NHG000BI	3	SD00-D
000	500 V a.c.	25	25NHG000B	25NHG000BI	3	SD00-D
000	500 V a.c.	32	32NHG000B	32NHG000BI	3	SD00-D
000	500 V a.c.	35	35NHG000B	35NHG000BI	3	SD00-D
000	500 V a.c.	40	40NHG000B	40NHG000BI	3	SD00-D
000	500 V a.c.	50	50NHG000B	50NHG000BI	3	SD00-D
000	500 V a.c.	63	63NHG000B	63NHG000BI	3	SD00-D
000	500 V a.c.	80	80NHG000B	80NHG000BI	3	SD00-D
000	500 V a.c.	100	100NHG000B	100NHG000BI	3	SD00-D
00	500 V a.c.	50	50NHG00B	50NHG00BI*	3	SD00-D
00	500 V a.c.	63	63NHG00B	63NHG00BI*	3	SD00-D
00	500 V a.c.	80	80NHG00B	80NHG00BI*	3	SD00-D
00	500 V a.c.	100	100NHG00B	100NHG00BI*	3	SD00-D
00	500 V a.c.	125	125NHG00B	125NHG00BI	3	SD00-D
00	500 V a.c.	160	160NHG00B	160NHG00BI	3	SD00-D
0	500 V a.c.	6	6NHG0B	-	3	-
0	500 V a.c.	10	10NHG0B	-	3	-
0	500 V a.c.	16	16NHG0B	-	3	-
0	500 V a.c.	20	20NHG0B	-	3	-
0	500 V a.c.	25	25NHG0B	-	3	-
0	500 V a.c.	32	32NHG0B	-	3	-
0	500 V a.c.	35	35NHG0B	-	3	-
0	500 V a.c.	40	40NHG0B	-	3	-
0	500 V a.c.	50	50NHG0B	-	3	-
0	500 V a.c.	63	63NHG0B	-	3	-
0	500 V a.c.	80	80NHG0B	-	3	-
0	500 V a.c.	100	100NHG0B	-	3	-
0	500 V a.c.	125	125NHG0B	-	3	-
0	500 V a.c.	160	160NHG0B	-	3	-

1.10

NH Fuse links

500 V a.c., class gG/gL, 2 to 1250 Amps, sizes 000 to 4 NH fuse links

500 V a.c., class gG/gL, 2 to 1250 Amps, sizes 000 to 4 NH fuse links

Product selection



Size	Rated voltage	Rated current (Amps)	Catalogue numbers		Pack quantity	Compatible fuse bases
			Voltage conducting metal gripping lugs	Insulated metal gripping lugs		
01	500 V a.c.	6	6NHG01B	6NHG01BI	3	SD1-D
01	500 V a.c.	10	10NHG01B	10NHG01BI	3	SD1-D
01	500 V a.c.	16	16NHG01B	16NHG01BI	3	SD1-D
01	500 V a.c.	20	20NHG01B	20NHG01BI	3	SD1-D
01	500 V a.c.	25	25NHG01B	25NHG01BI	3	SD1-D
01	500 V a.c.	32	32NHG01B	32NHG01BI	3	SD1-D
01	500 V a.c.	35	35NHG01B	35NHG01BI	3	SD1-D
01	500 V a.c.	40	40NHG01B	40NHG01BI	3	SD1-D
01	500 V a.c.	50	50NHG01B	50NHG01BI	3	SD1-D
01	500 V a.c.	63	63NHG01B	63NHG01BI	3	SD1-D
01	500 V a.c.	80	80NHG01B	80NHG01BI	3	SD1-D
01	500 V a.c.	100	100NHG01B	100NHG01BI	3	SD1-D
01	500 V a.c.	125	125NHG01B	125NHG01BI	3	SD1-D
01	500 V a.c.	160	160NHG01B	160NHG01BI	3	SD1-D
1	500 V a.c.	50	50NHG1B	50NHG1BI	3	SD1-D
1	500 V a.c.	63	63NHG1B	63NHG1BI	3	SD1-D
1	500 V a.c.	80	80NHG1B	80NHG1BI	3	SD1-D
1	500 V a.c.	100	100NHG1B	100NHG1BI	3	SD1-D
1	500 V a.c.	125	125NHG1B	125NHG1BI	3	SD1-D
1	500 V a.c.	160	160NHG1B	160NHG1BI	3	SD1-D
1	500 V a.c.	200	200NHG1B	200NHG1BI	3	SD1-D
1	500 V a.c.	224	224NHG1B	224NHG1BI	3	SD1-D
1	500 V a.c.	250	250NHG1B	250NHG1BI	3	SD1-D
1	440 V a.c.	315	315NHG1B	315NHG1BI	3	SD1-D
1	500 V a.c.	355	355NHG1B	355NHG1BI	3	SD1-D
02	500 V a.c.	35	35NHG02B	35NHG02BI	3	SD2-D
02	500 V a.c.	40	40NHG02B	40NHG02BI	3	SD2-D
02	500 V a.c.	50	50NHG02B	50NHG02BI	3	SD2-D
02	500 V a.c.	63	63NHG02B	63NHG02BI	3	SD2-D
02	500 V a.c.	80	80NHG02B	80NHG02BI	3	SD2-D
02	500 V a.c.	100	100NHG02B	100NHG02BI	3	SD2-D
02	500 V a.c.	125	125NHG02B	125NHG02BI	3	SD2-D
02	500 V a.c.	160	160NHG02B	160NHG02BI	3	SD2-D
02	500 V a.c.	200	200NHG02B	200NHG02BI	3	SD2-D
02	500 V a.c.	224	224NHG02B	224NHG02BI	3	SD2-D
02	500 V a.c.	250	250NHG02B	250NHG02BI	3	SD2-D

500 V a.c., class gG/gL, 2 to 1250 Amps, sizes 000 to 4 NH fuse links

500 V a.c., class gG/gL, 2 to 1250 Amps, sizes 000 to 4 NH fuse links

Product selection



Size	Rated voltage	Rated current (Amps)	Catalogue numbers		Pack quantity	Compatible fuse bases
			Voltage conducting metal gripping lugs	Insulated metal gripping lugs		
2	500 V a.c.	250	250NHG2B	250NHG2BI	3	SD2-D
2	500 V a.c.	300	300NHG2B	300NHG2BI	3	SD2-D
2	500 V a.c.	315	315NHG2B	315NHG2BI	3	SD2-D
2	500 V a.c.	355	355NHG2B	355NHG2BI	3	SD2-D
2	500 V a.c.	400	400NHG2B	400NHG2BI	3	SD2-D
2	500 V a.c.	425	425NHG2B	425NHG2BI	3	SD2-D
2	500 V a.c.	450	450NHG2B	450NHG2BI	3	SD2-D
2	440 V a.c.	500	500NHG2B	500NHG2BI	3	SD2-D
03	500 V a.c.	250	250NHG03B	250NHG03BI	3	SD3-D
03	500 V a.c.	315	315NHG03B	315NHG03BI	3	SD3-D
03	500 V a.c.	355	355NHG03B	355NHG03BI	3	SD3-D
03	500 V a.c.	400	400NHG03B	400NHG03BI	3	SD3-D
3	500 V a.c.	315	315NHG3B	-	3	SD3-D
3	500 V a.c.	355	355NHG3B	-	3	SD3-D
3	500 V a.c.	400	400NHG3B	-	3	SD3-D
3	500 V a.c.	425	425NHG3B	-	3	SD3-D
3	500 V a.c.	450	450NHG3B	-	3	SD3-D
3	500 V a.c.	500	500NHG3B	-	3	SD3-D
3	500 V a.c.	630	630NHG3B	-	3	SD3-D
3	440 V a.c.	800	800NHG3B	-	3	SD3-D
4**	500 V a.c.	500	500NHG4G	-	1	SD4-S
4**	500 V a.c.	630	630NHG4G	-	1	SD4-S
4**	500 V a.c.	800	800NHG4G	-	1	SD4-S
4**	500 V a.c.	1000	1000NHG4G	-	1	SD4-S
4**	500 V a.c.	1250	1250NHG4G	-	1	SD4-S

* Available upon request

** Size 4 NH is a single indication fuse with slotted end tags

Data sheet: 10164

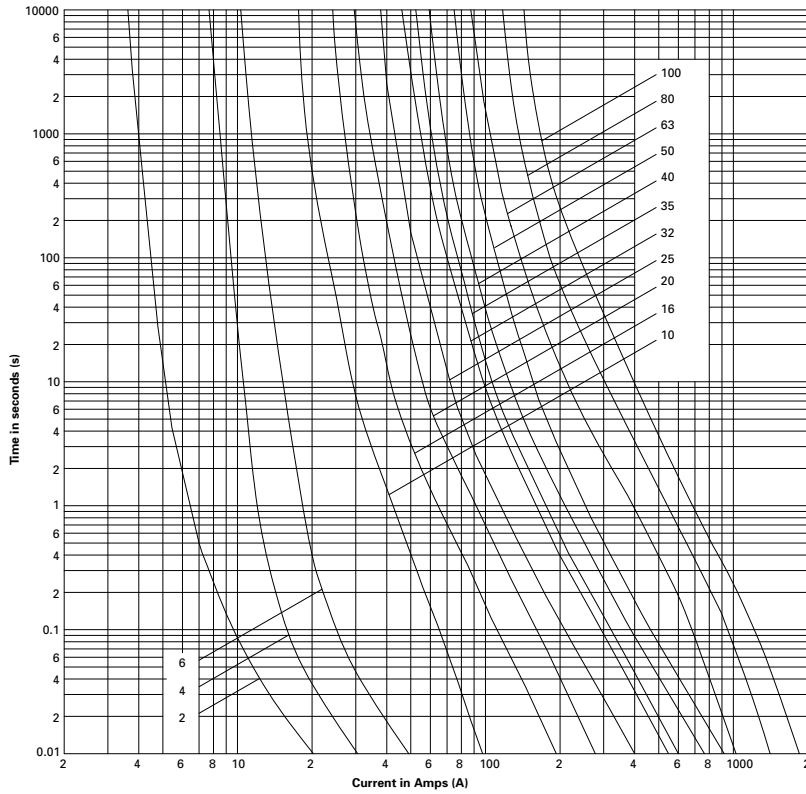
1.10

NH Fuse links

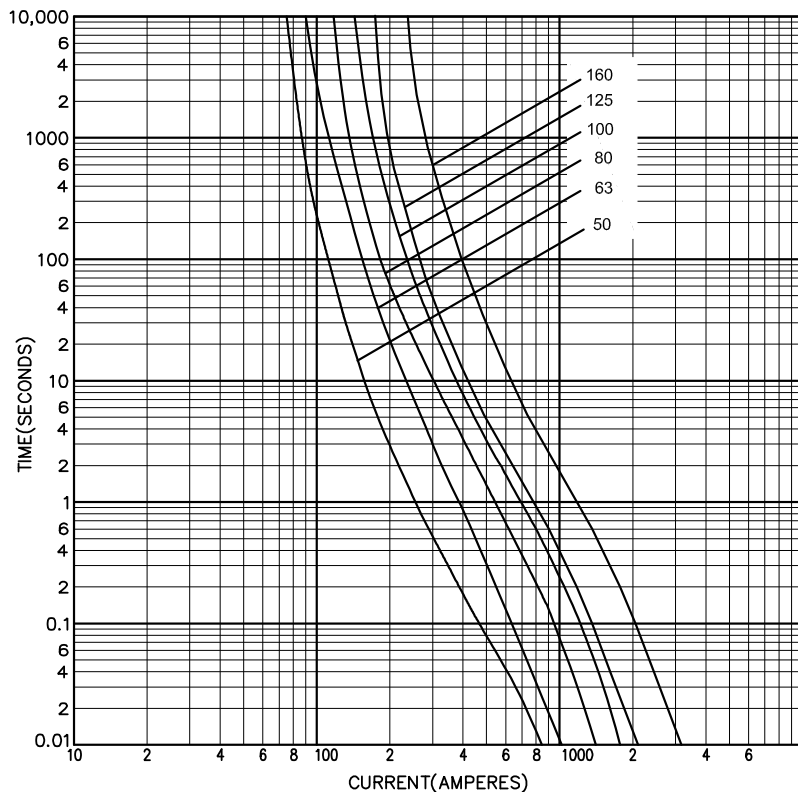
Time-current curves

Time-current curves

Size 000



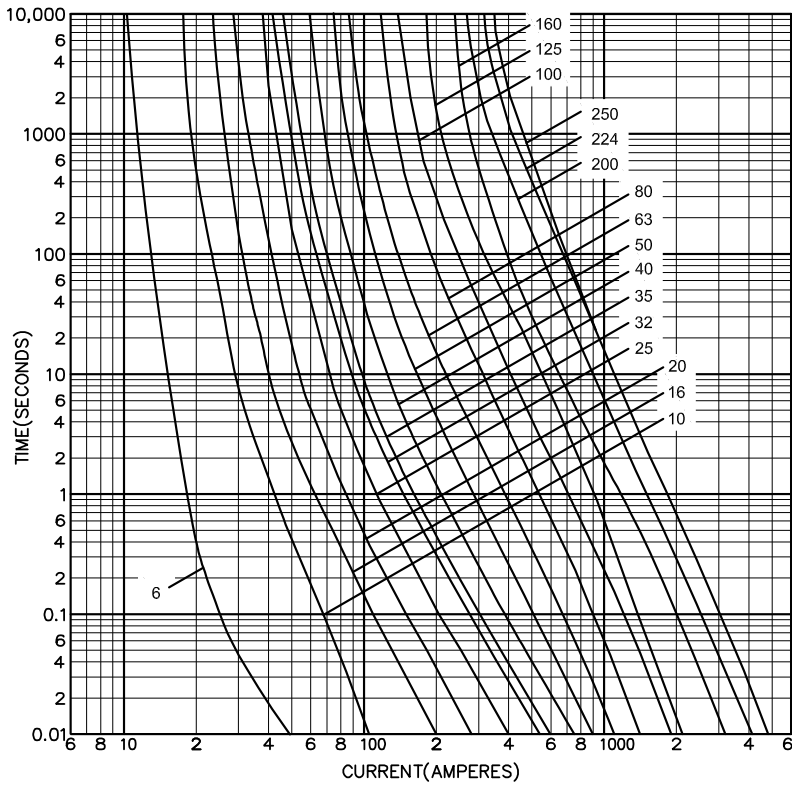
Size 00



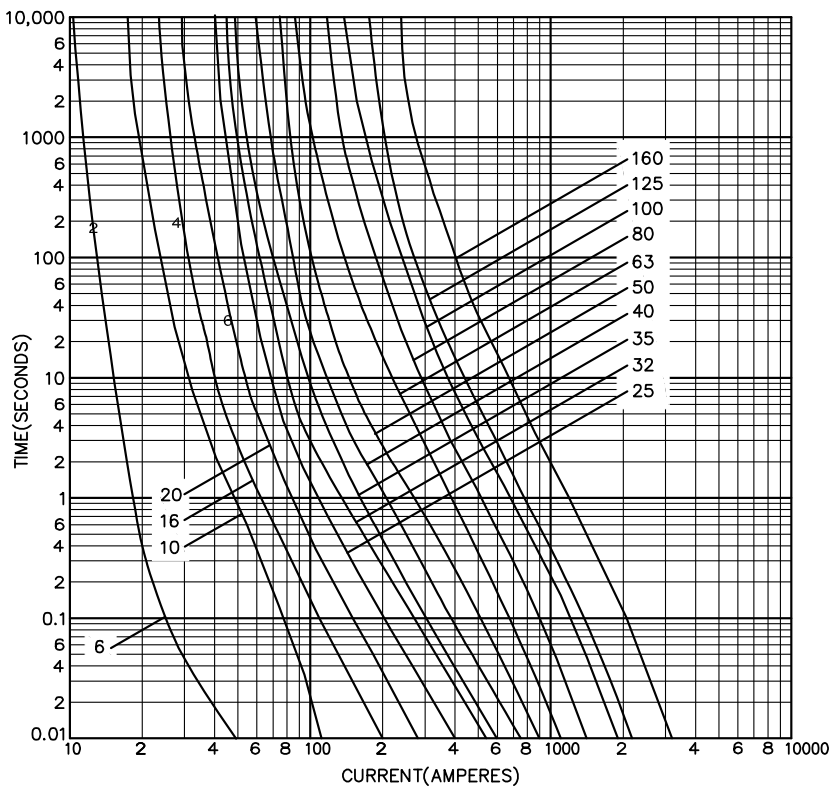
Data sheet: 10164

Time-current curves

Size 0



Size 01



Data sheet: 10164

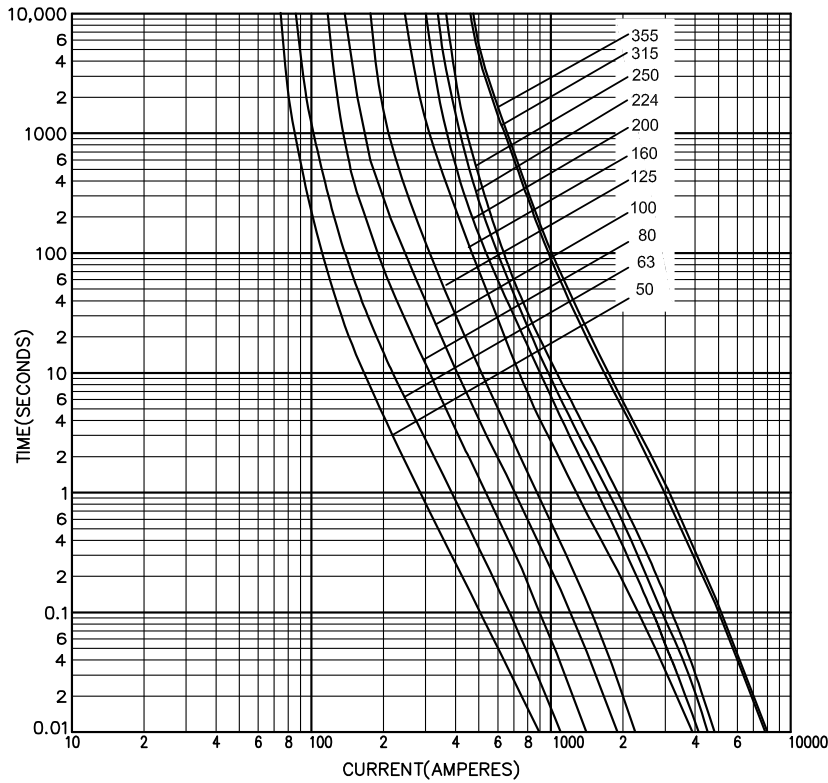
1.10

NH Fuse links

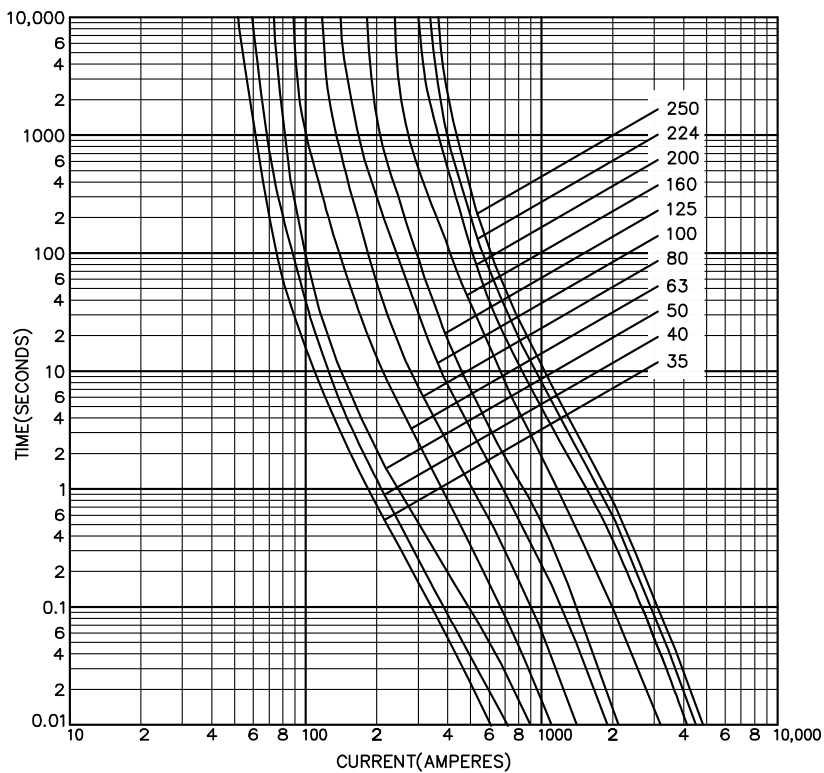
Time-current curves

Time-current curves

Size 1



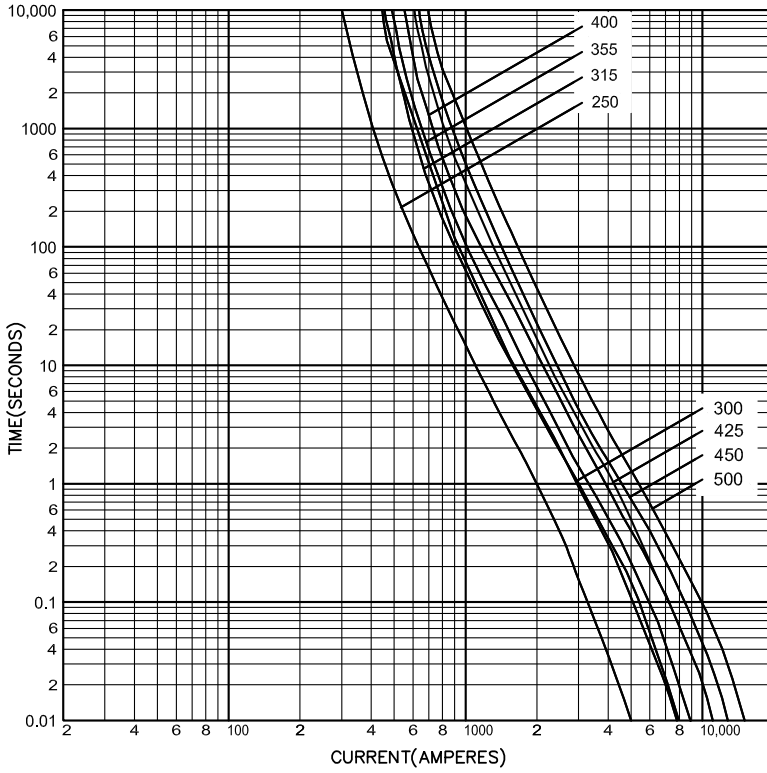
Size 02



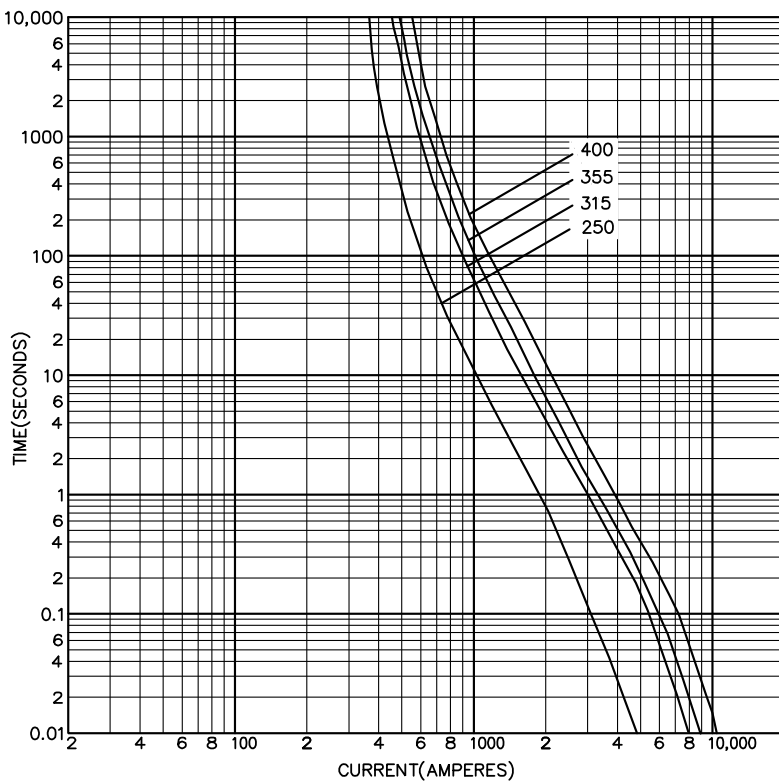
Data sheet: 10164

Time-current curves

Size 2



Size 03



Data sheet: 10164

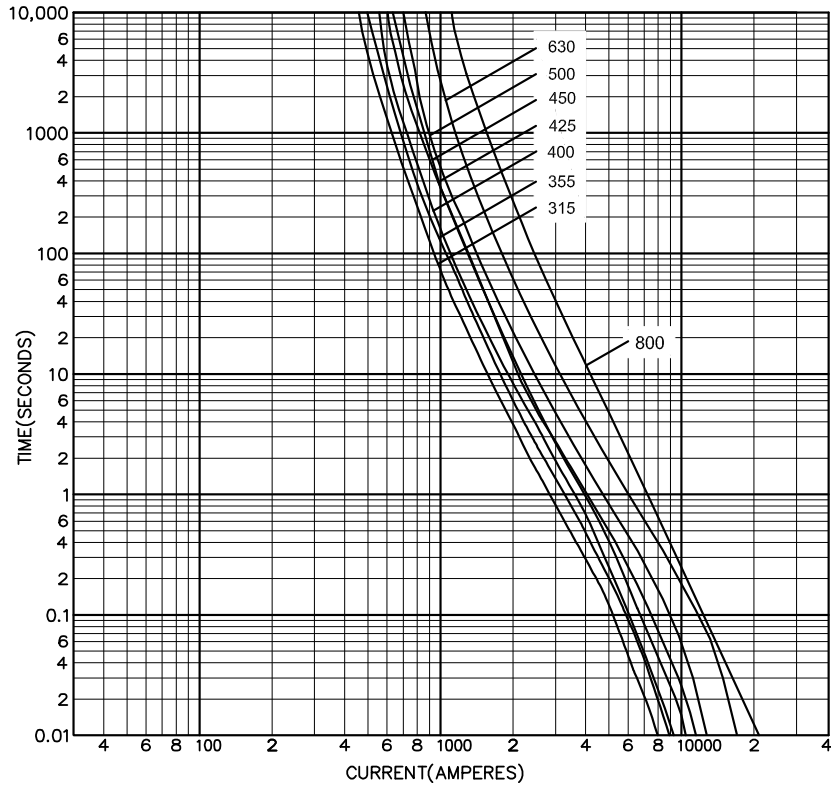
1.10

NH Fuse links

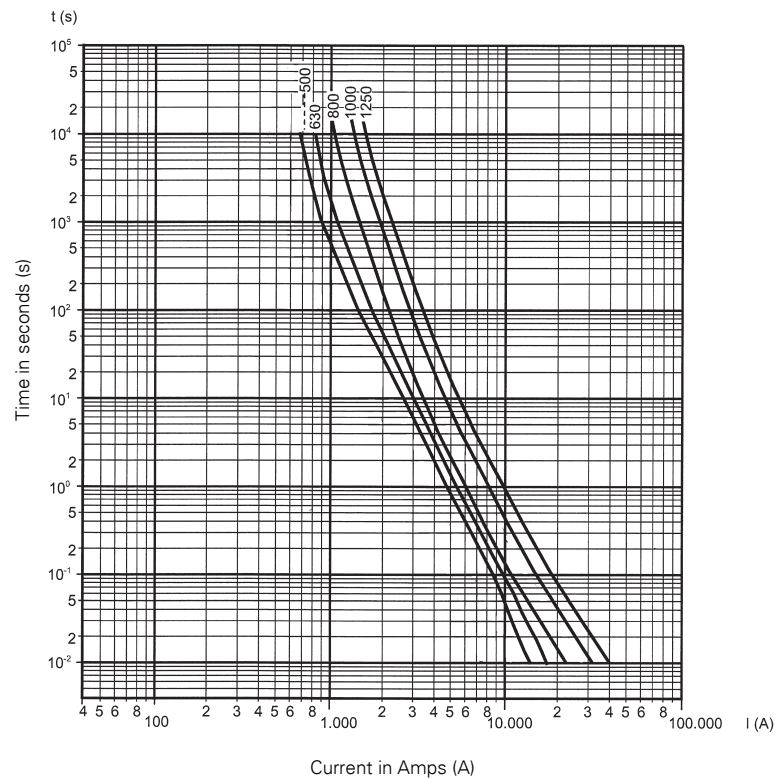
Time-current curves

Time-current curves

Size 3



Size 4



Data sheet: 10164

500 V a.c., NH Weather resistant, class gG/gL, 35 to 400 Amps, sizes 00 and 2 fuse links

500 V a.c., NH Weather resistant, class gG/gL, 35 to 400 Amps, sizes 00 and 2 fuse links**Specifications****Description**

A square bodied range of industrial fuse links specifically designed where weather resistance is needed.

Technical data

Sizes 00 and 2
 Rated voltage: 500 V a.c.
 Rated current: 35 to 400 A
 Operating class: gG/gL
 Breaking capacity: 120 kA AC
 Operating frequency: 45-62 Hz

Standard/agency information

IEC 60269, DIN 43620 and CE

Product selection

Size	Rated voltage	Rated current (Amps)	Catalogue numbers		Compatible fuse bases	
			Voltage conducting metal gripping lugs	Pack quantity	Single-pole	Triple-pole
00	500 V a.c.	35	35NHG00BWP	3	SD00-D	TD00-D
00	500 V a.c.	50	50NHG00BWP	3	SD00-D	TD00-D
00	500 V a.c.	63	63NHG00BWP	3	SD00-D	TD00-D
00	500 V a.c.	80	80NHG00BWP	3	SD00-D	TD00-D
00	500 V a.c.	100	100NHG00BWP	3	SD00-D	TD00-D
00	500 V a.c.	125	125NHG00BWP	3	SD00-D	TD00-D
00	500 V a.c.	160	160NHG00BWP	3	SD00-D	TD00-D
2	500 V a.c.	63	63NHG2BWP	3	SD2-D	TD2-D
2	500 V a.c.	80	80NHG2BWP	3	SD2-D	TD2-D
2	500 V a.c.	100	100NHG2BWP	3	SD2-D	TD2-D
2	500 V a.c.	125	125NHG2BWP	3	SD2-D	TD2-D
2	500 V a.c.	160	160NHG2BWP	3	SD2-D	TD2-D
2	500 V a.c.	200	200NHG2BWP	3	SD2-D	TD2-D
2	500 V a.c.	250	250NHG2BWP	3	SD2-D	TD2-D
2	500 V a.c.	315	315NHG2BWP	3	SD2-D	TD2-D
2	500 V a.c.	355	355NHG2BWP	3	SD2-D	TD2-D
2	500 V a.c.	400	400NHG2BWP	3	SD2-D	TD2-D

Data sheet: 134001

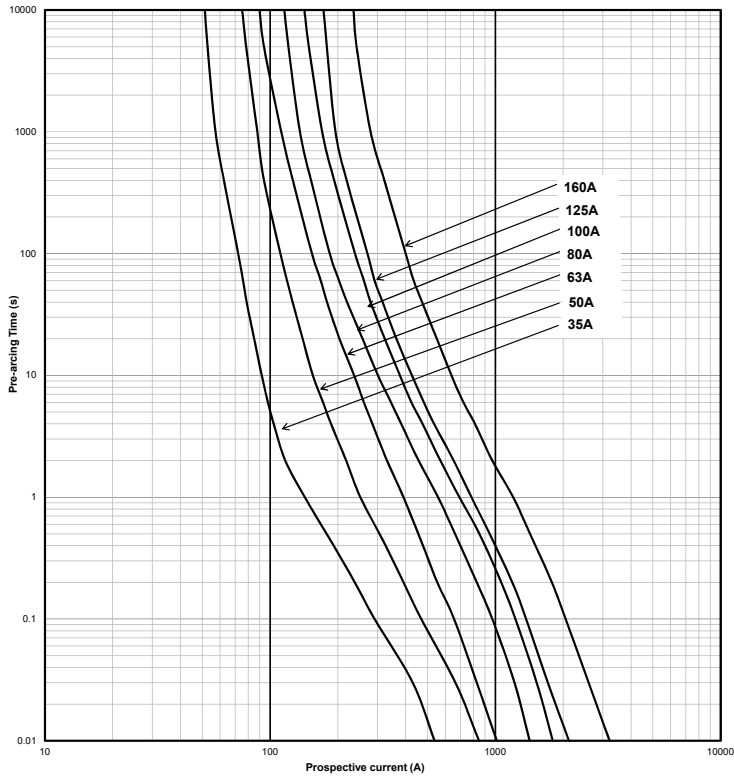
1.10

NH Fuse links

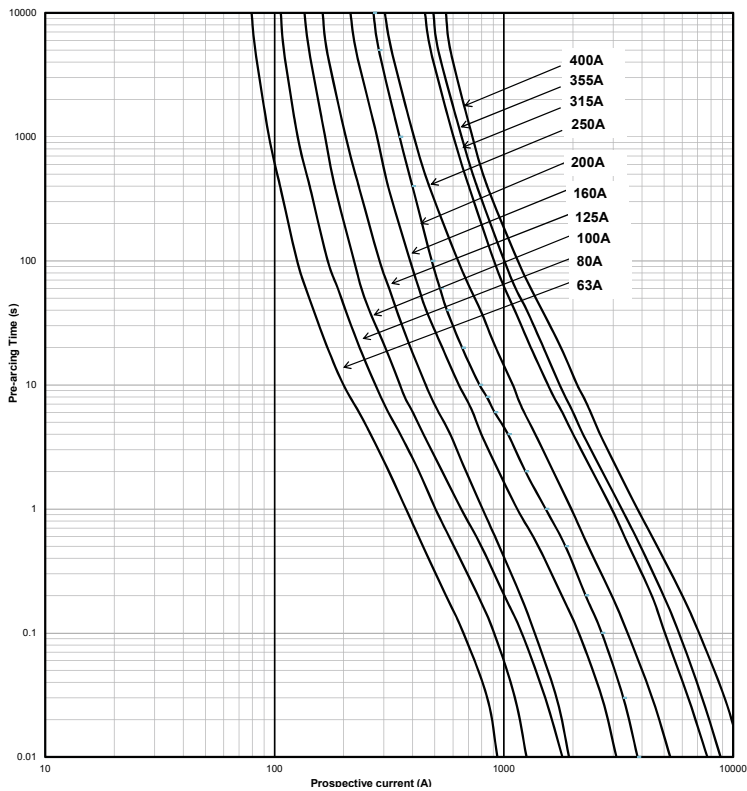
Time-current curves

Time-current curves

Size 00



Size 2



Data sheet: 134001

690 V a.c., class gG/gL, 2 to 800 Amps, sizes 000 to 4 NH fuse links

690 V a.c., class gG/gL, 2 to 800 Amps, sizes 000 to 4 NH fuse links

Specifications

Description

A square bodied range of industrial fuse links for a wide variety of applications.

Standard/agency information

IEC 60269-1 and 2, DIN 43620 part 1 and 3

Technical data

Sizes: 000 to 4
 Rated voltage: 690 V a.c.
 Rated current: 2 to 800 A
 Operating class: gG/gL
 Breaking capacity: 120 kA AC
 Operating frequency: 45-62 Hz

Product selection

Size	Rated voltage	Rated current (Amps)	Catalogue numbers		Pack quantity	Compatible fuse bases
			Voltage conducting metal gripping lugs			
000	690 V a.c.	2	2NHG000B-690		3	SD00-D
000	690 V a.c.	4	4NHG000B-690		3	SD00-D
000	690 V a.c.	6	6NHG000B-690		3	SD00-D
000	690 V a.c.	10	10NHG000B-690		3	SD00-D
000	690 V a.c.	16	16NHG000B-690		3	SD00-D
000	690 V a.c.	20	20NHG000B-690		3	SD00-D
000	690 V a.c.	25	25NHG000B-690		3	SD00-D
000	690 V a.c.	32	32NHG000B-690		3	SD00-D
000	690 V a.c.	35	35NHG000B-690		3	SD00-D
000	690 V a.c.	40	40NHG000B-690		3	SD00-D
000	690 V a.c.	50	50NHG000B-690		3	SD00-D
000	690 V a.c.	63	63NHG000B-690		3	SD00-D
00	690 V a.c.	50	50NHG00B-690		3	SD00-D
00	690 V a.c.	63	63NHG00B-690		3	SD00-D
00	690 V a.c.	80	80NHG00B-690		3	SD00-D
00	690 V a.c.	100	100NHG00B-690		3	SD00-D
00	690 V a.c.	125	125NHG00B-690		3	SD00-D
00	660 V a.c.	160*	160NHG00B-660		3	SD00-D
1	690 V a.c.	50	50NHG1B-690		3	SD1-D
1	690 V a.c.	63	63NHG1B-690		3	SD1-D
1	690 V a.c.	80	80NHG1B-690		3	SD1-D
1	690 V a.c.	100	100NHG1B-690		3	SD1-D
1	690 V a.c.	125	125NHG1B-690		3	SD1-D
1	690 V a.c.	160	160NHG1B-690		3	SD1-D
1	690 V a.c.	200	200NHG1B-690		3	SD1-D
1	690 V a.c.	224	224NHG1B-690		3	SD1-D
1	690 V a.c.	250	250NHG1B-690		3	SD1-D
2	690 V a.c.	200	200NHG2B-690		3	SD2-D
2	690 V a.c.	224	224NHG2B-690		3	SD2-D
2	690 V a.c.	250	250NHG2B-690		3	SD2-D
2	690 V a.c.	315	315NHG2B-690		3	SD2-D
3	690 V a.c.	250	250NHG3B-690		3	SD3-D
3	690 V a.c.	315	315NHG3B-690		3	SD3-D
3	690 V a.c.	355	355NHG3B-690		3	SD3-D
3	690 V a.c.	400	400NHG3B-690		3	SD3-D
3	690 V a.c.	425	425NHG3B-690		3	SD3-D
3	690 V a.c.	500	500NHG3B-690		3	SD3-D
4**	690 V a.c.	630	630NHG4B-690		1	SD4-S
4**	690 V a.c.	800	800NHG4B-690		1	SD4-S



* Size 00 160A is rated at 660 V a.c. **Size 4 is a fuse link with single indication fuse link with slotted end tags Please contact us should you wish to order 500 Volts size 4
 buletechnical@eaton.com or 00 44 (0) 1509 882 699
 Data sheet: 720109

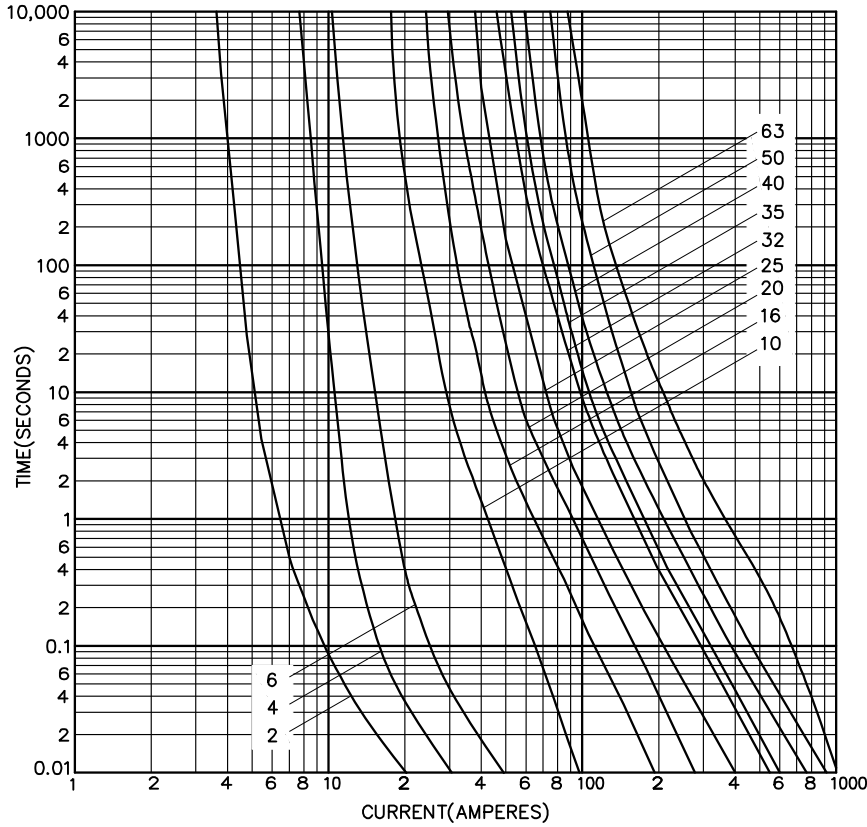
1.10

NH Fuse links

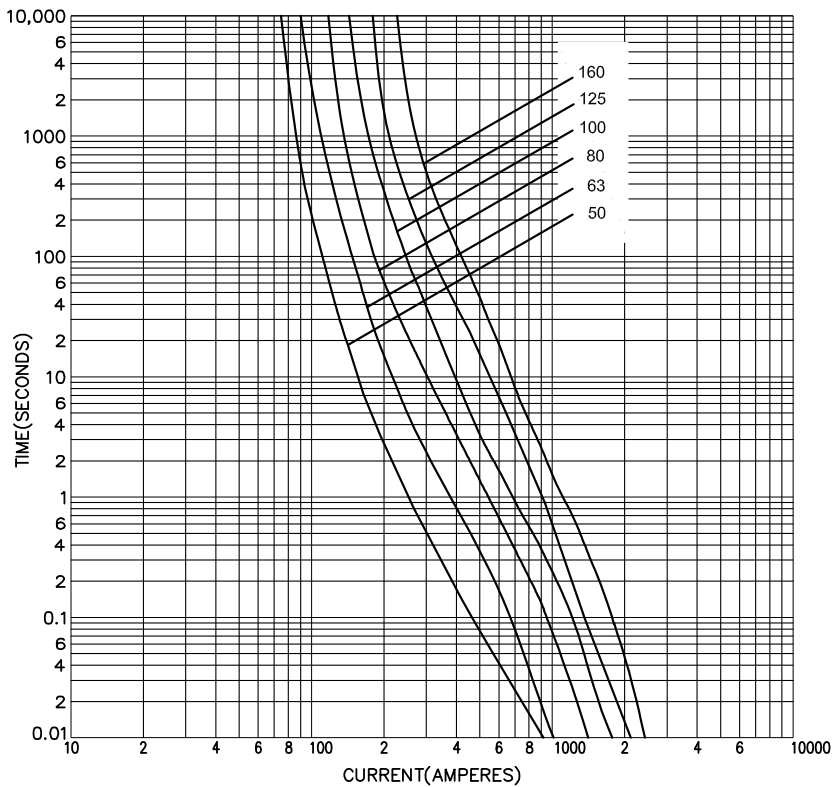
Time-current curves

Time-current curves

Size 000



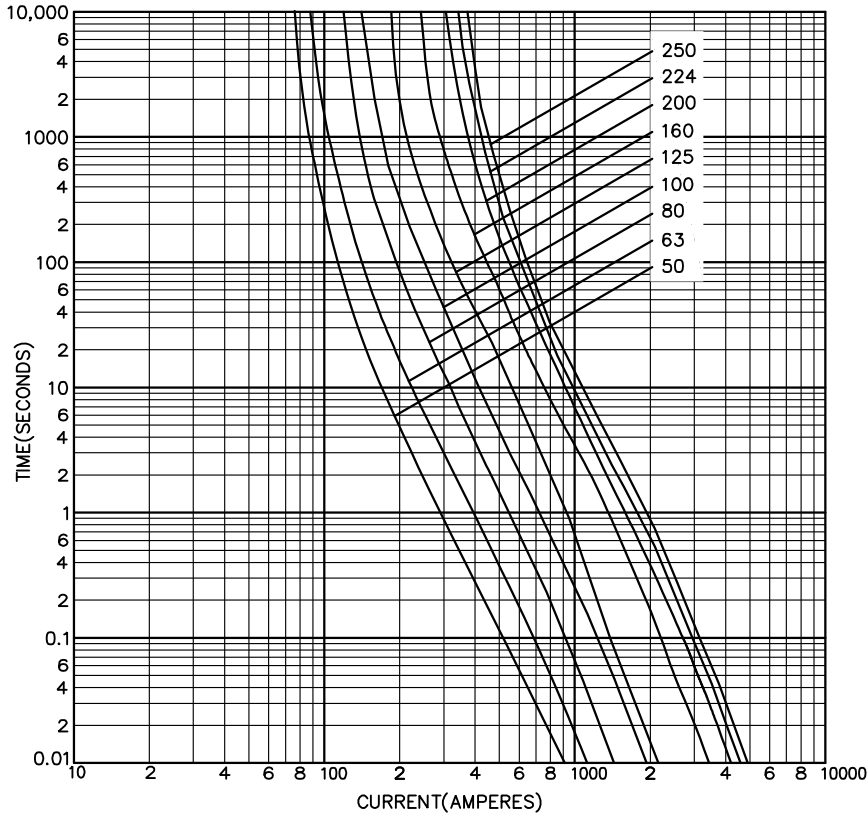
Size 00



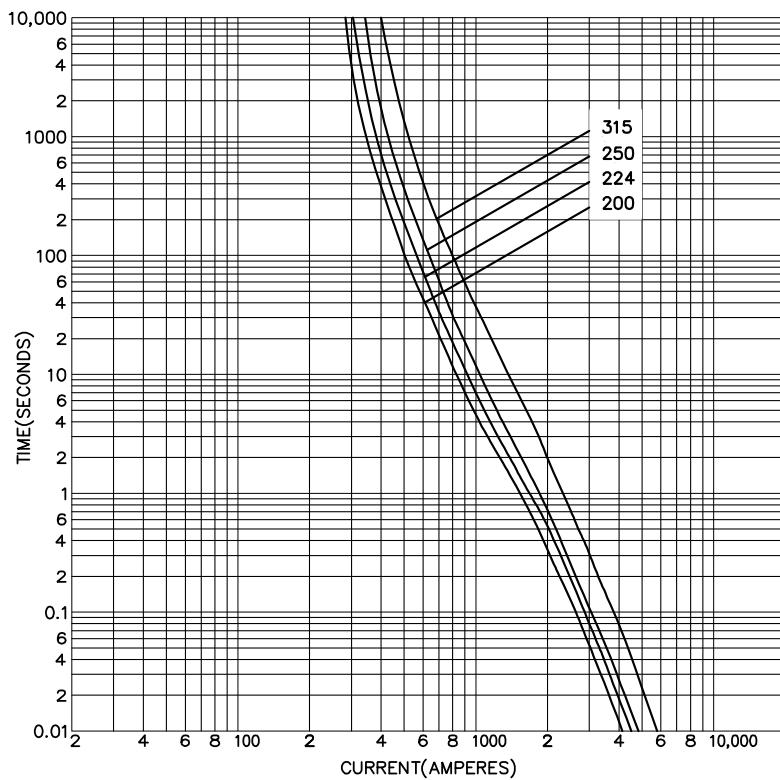
Data sheet: 720109

Time-current curves

Size 1



Size 2



Data sheet: 720109

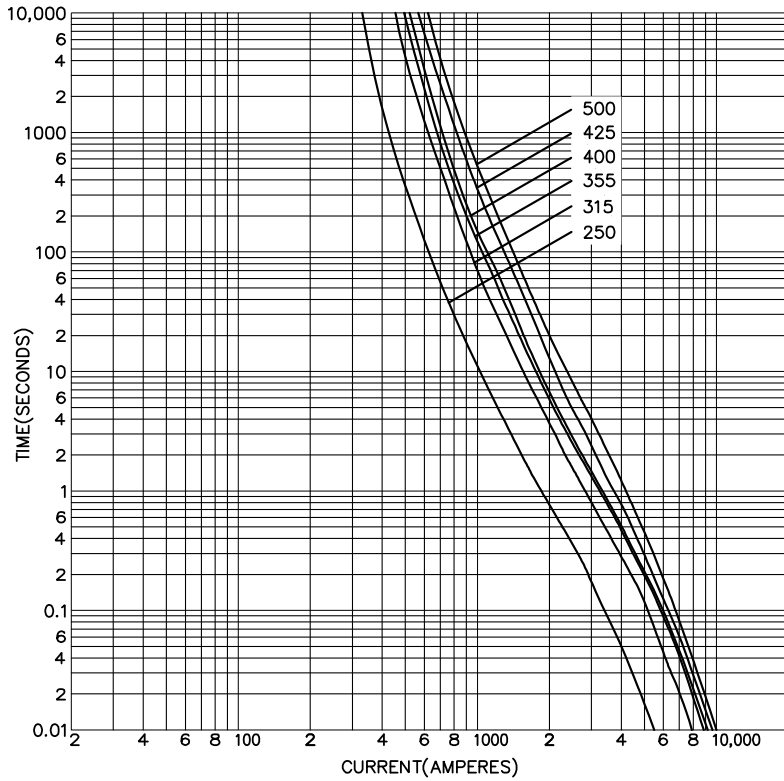
1.10

NH Fuse links

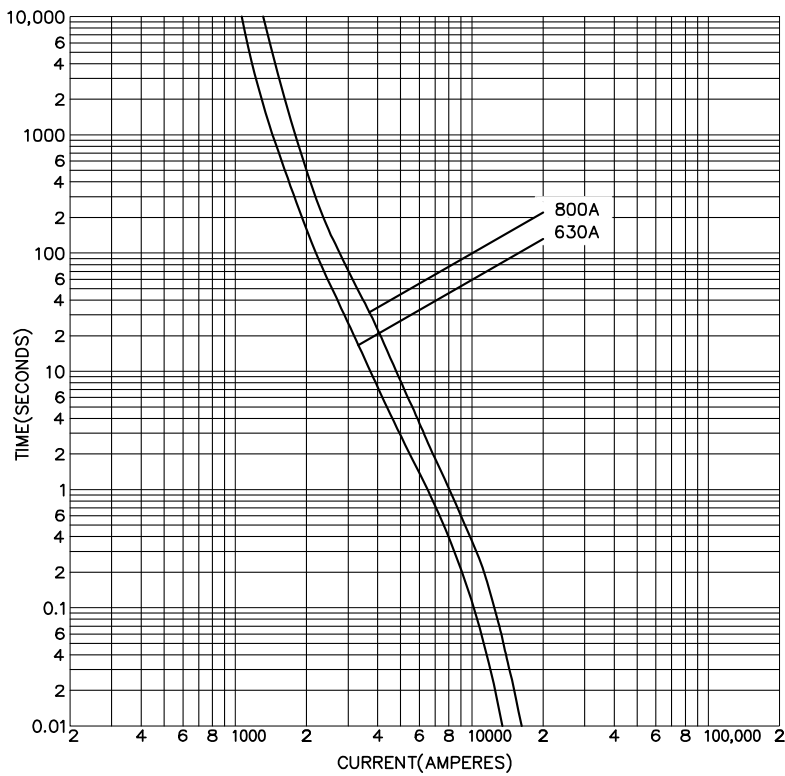
Time-current curves

Time-current curves

Size 3



Size 4



Data sheet: 720109

500 and 690 V a.c., class aM, 6 to 500 Amps, sizes 000 to 3 NH fuse links

500 and 690 V a.c., class aM, 6 to 500 Amps, sizes 000 to 3 NH fuse links

Specifications

Description

A square bodied range of industrial fuse links for a wide variety of applications.

Standard/agency information

IEC 60269-1 and 2, DIN 43620 part 1 and 3

Technical data

Sizes 000 to 3
 Rated voltage: 500 and 690 V a.c.
 Rated current: 6 to 500 A
 Operating class: aM
 Breaking capacity: 120 kA AC
 Operating frequency: 45-62 Hz

Product selection



Size	Rated current (Amps)	500 V a.c. class aM		Pack quantity	Compatible fuse bases
		Conducting metal gripping lugs	690 V a.c. class aM Conducting metal gripping lugs		
000	6	6NHM000B	6NHM000B-690	3	SD00-D
000	10	10NHM000B	10NHM000B-690	3	
000	16	16NHM000B	16NHM000B-690	3	
000	20	20NHM000B	20NHM000B-690	3	
000	25	25NHM000B	25NHM000B-690	3	
000	32	32NHM000B	32NHM000B-690	3	
000	35	35NHM000B	35NHM000B-690	3	
000	40	40NHM000B	40NHM000B-690	3	
000	50	50NHM000B	50NHM000B-690	3	
00	63	63NHM00B	63NHM00B-690	3	SD00-D
00	80	80NHM00B	80NHM00B-690	3	
00	100	100NHM00B	100NHM00B-690	3	
1	50	50NHM1B	50NHM1B-690	3	SD1-D
1	63	63NHM1B	63NHM1B-690	3	
1	80	80NHM1B	80NHM1B-690	3	
1	100	100NHM1B	100NHM1B-690	3	
1	125	125NHM1B	125NHM1B-690	3	
1	160	160NHM1B	160NHM1B-690	3	
2	125	125NHM2B	125NHM2B-690	3	SD2-D
2	160	160NHM2B	160NHM2B-690	3	SD2-D
2	200	200NHM2B	200NHM2B-690	3	SD2-D
2	224	224NHM2B	224NHM2B-690	3	SD2-D
2	250	250NHM2B	250NHM2B-690	3	SD2-D
2	315*	315NHM2B*	315NHM2B-690*	3	SD2-D
2	355*	355NHM2B*	355NHM2B-690*	3	SD2-D
3	315	315NHM3B	315NHM3B-690	3	SD3-D
3	355	355NHM3B	355NHM3B-690	3	SD3-D
3	400	400NHM3B	400NHM3B-690	3	SD3-D
3	500	500NHM3B	500NHM3B-690	3	SD3-D

* Single indication
 Data sheet: 10165

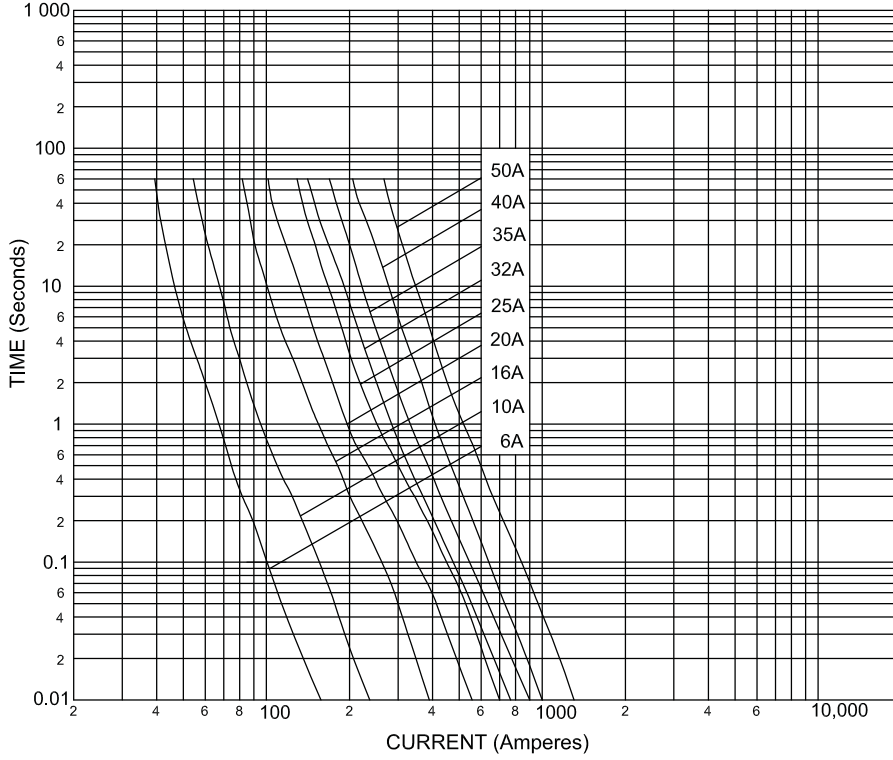
1.10

NH Fuse links

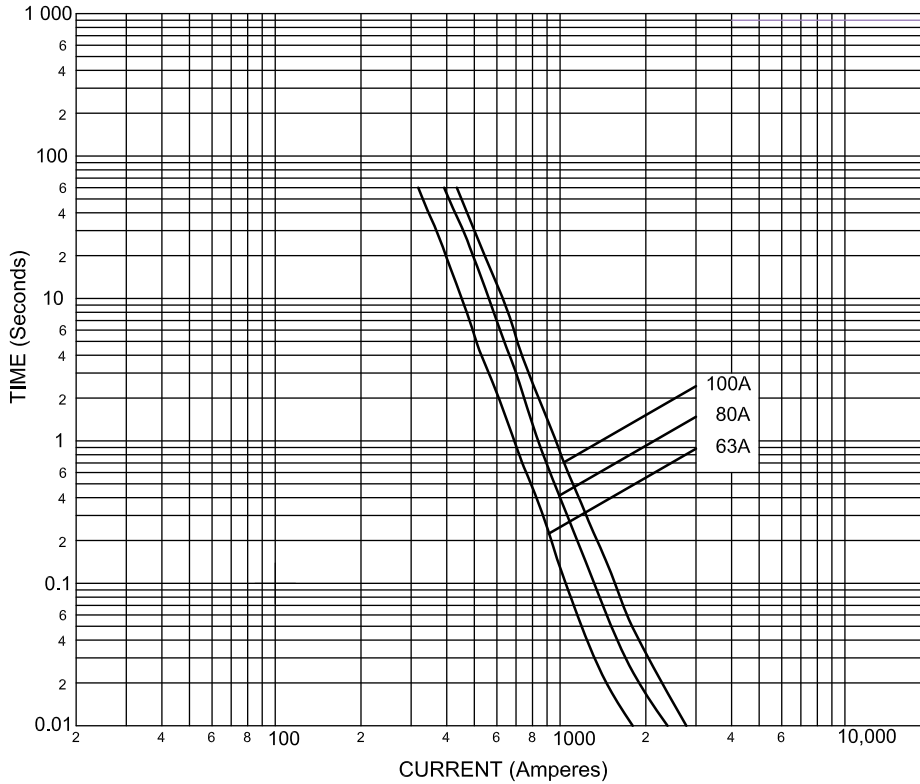
Time-current curves

Time-current curves

Size 000



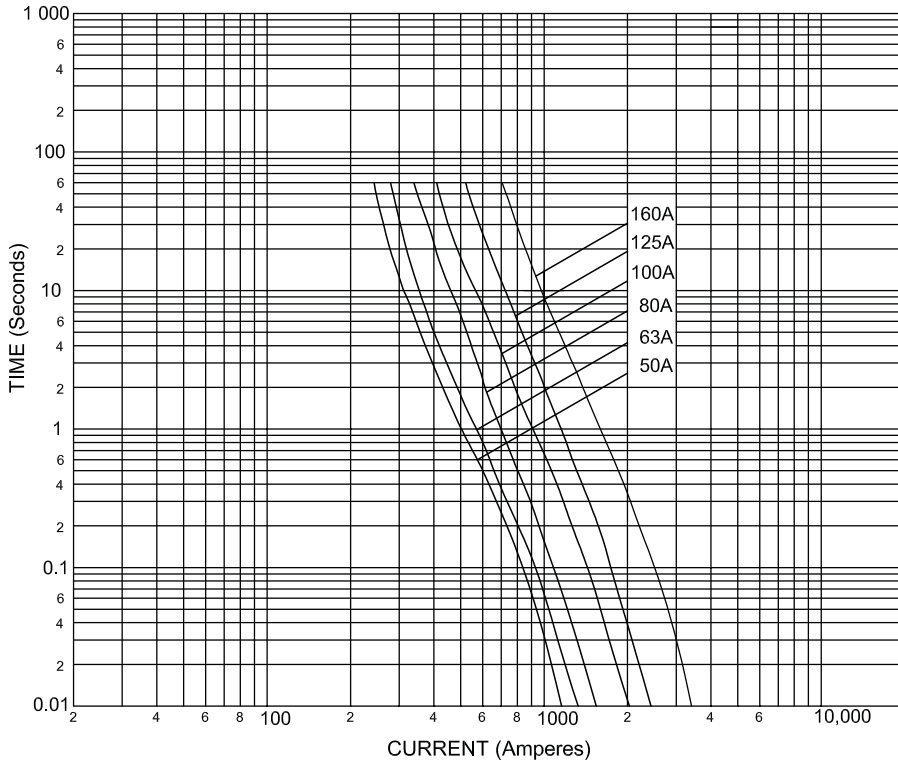
Size 00



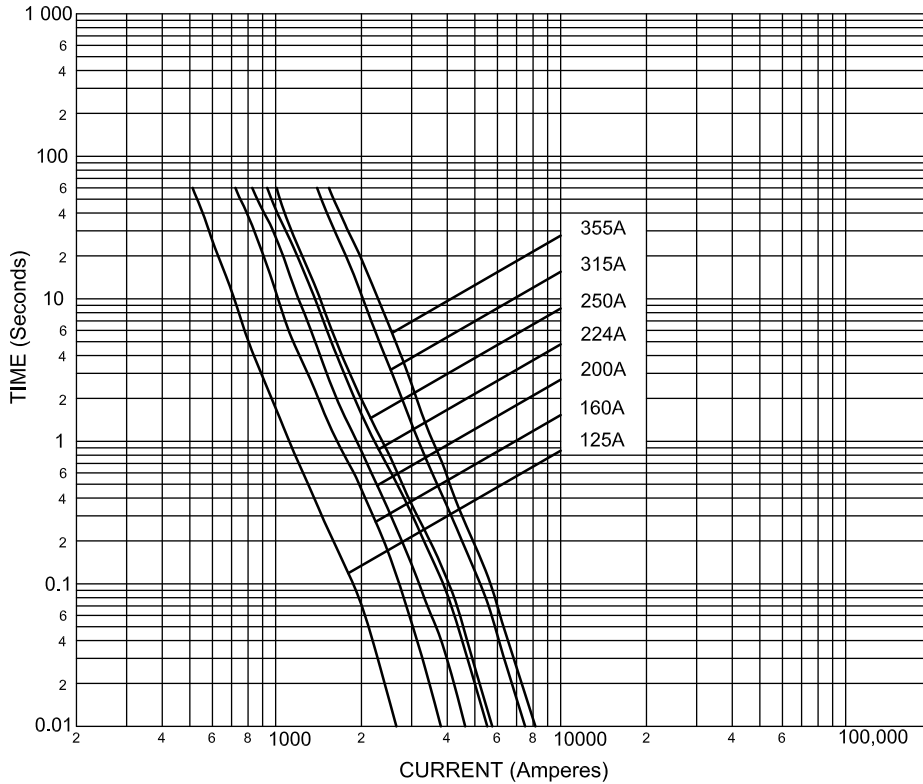
Data sheet: 10165

Time-current curves

Size 1



Size 2



Data sheet: 10165

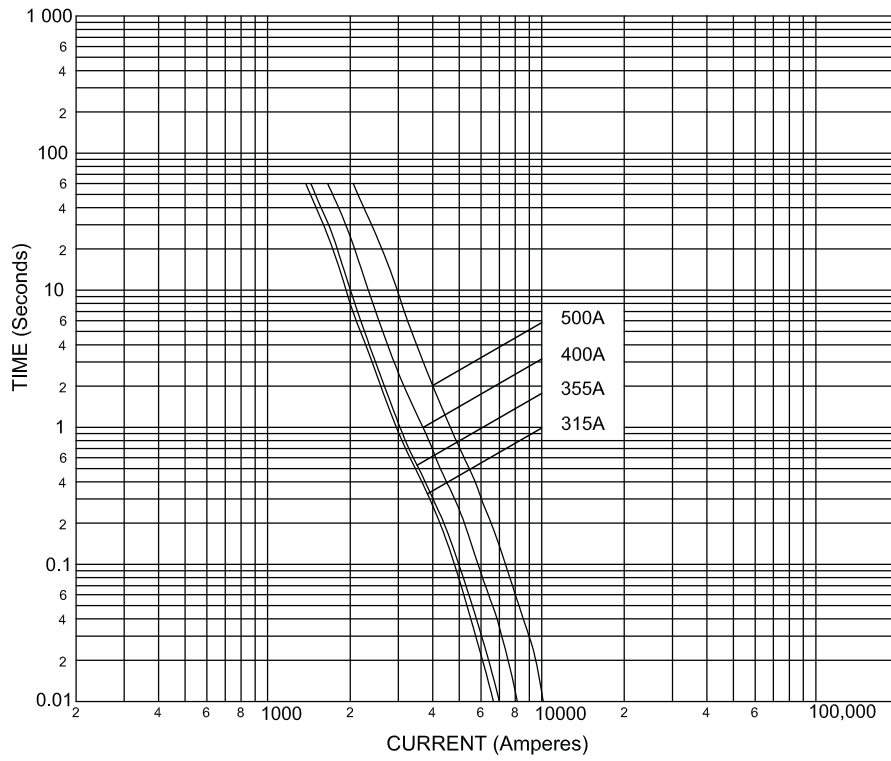
1.10

NH Fuse links

Time-current curves

Time-current curves

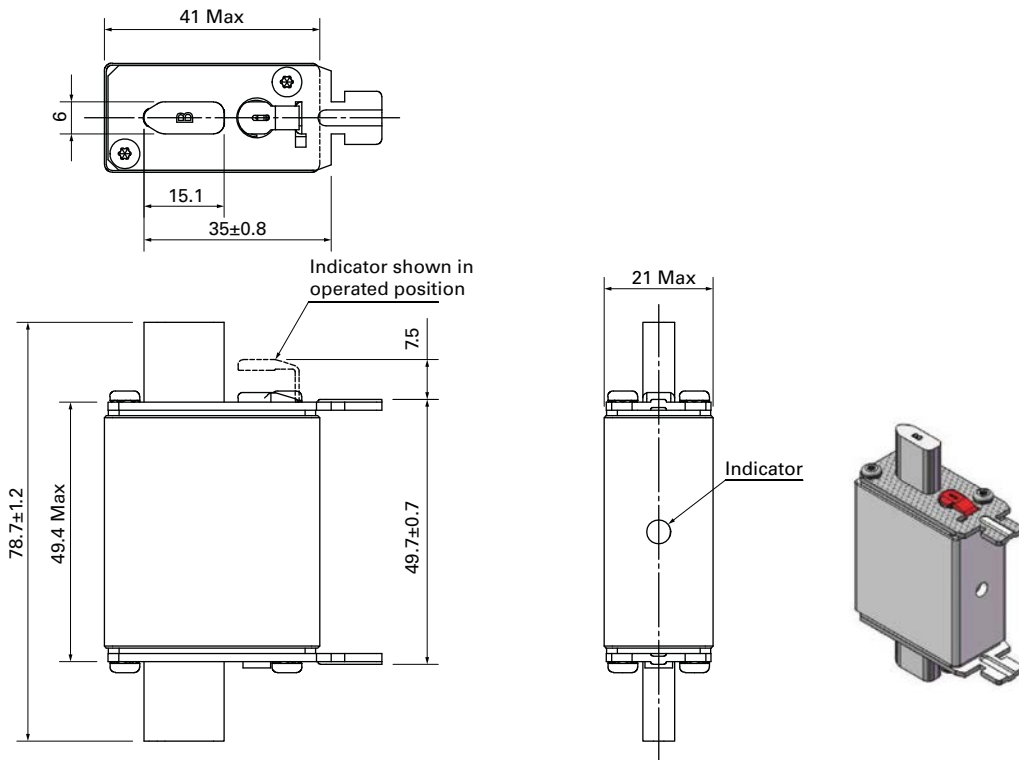
Size 3



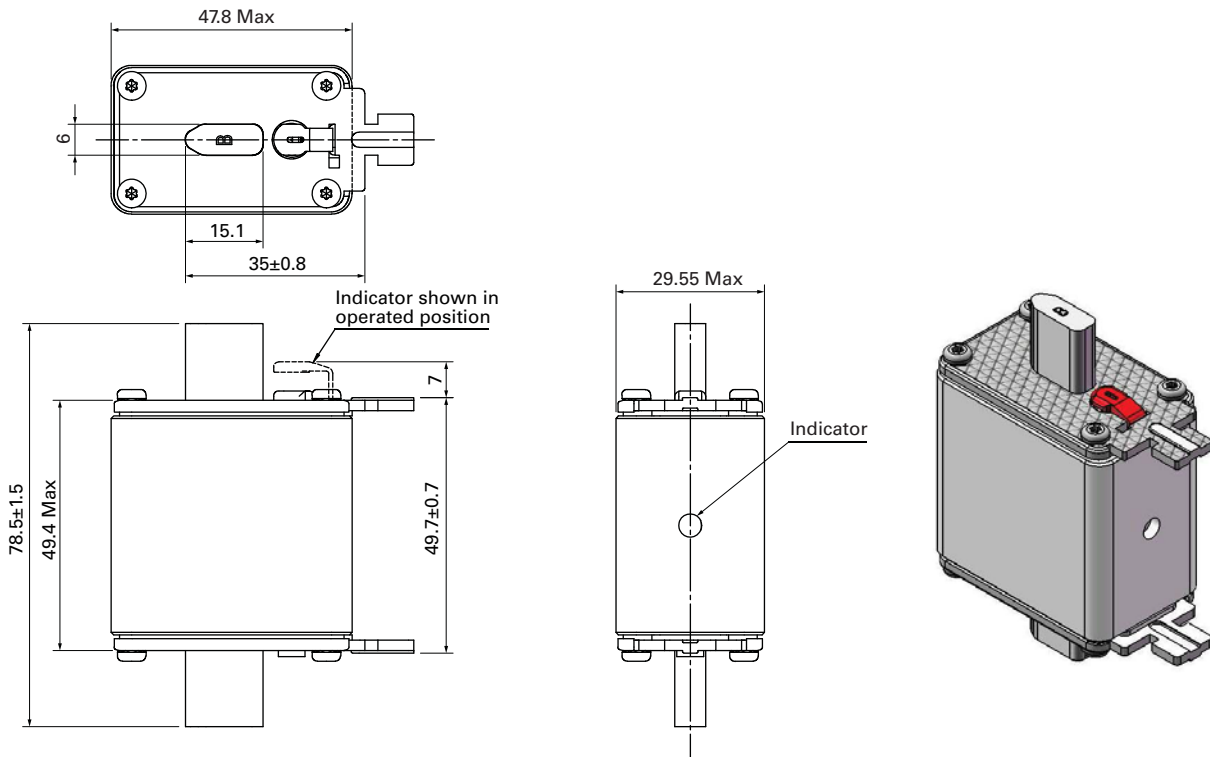
Data sheet: 10165

Dimensions

Size 000



Size 00



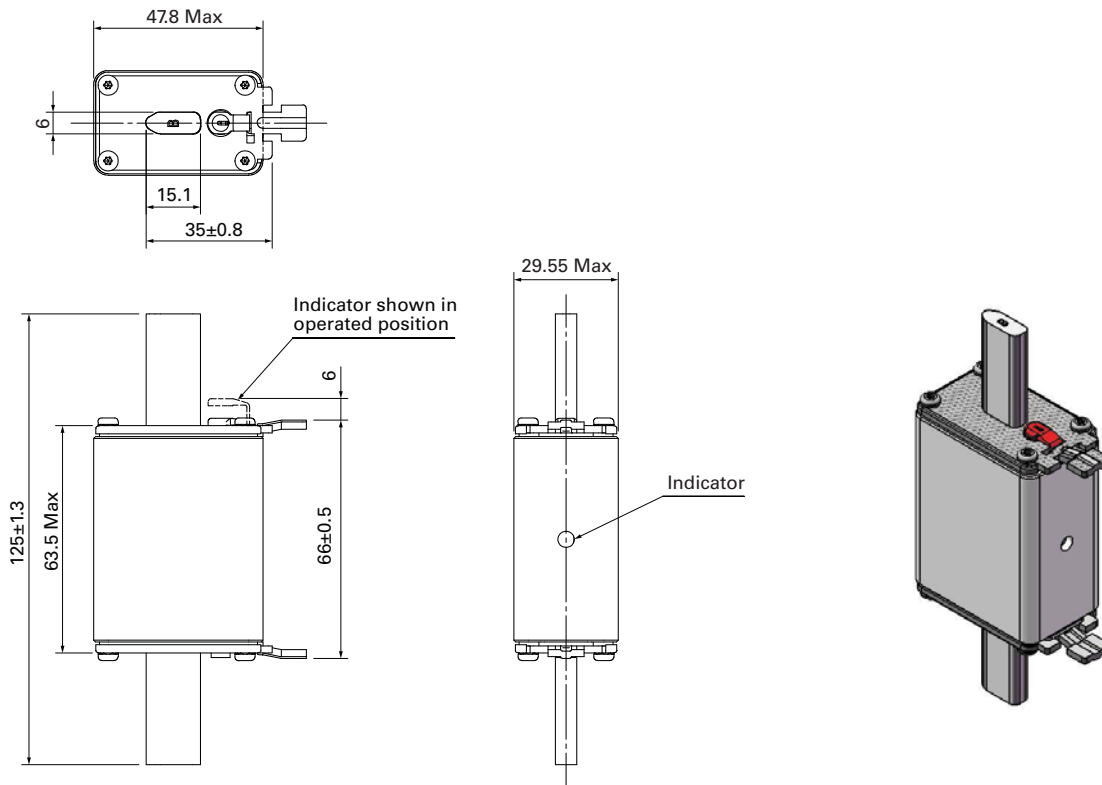
1.10

NH Fuse links

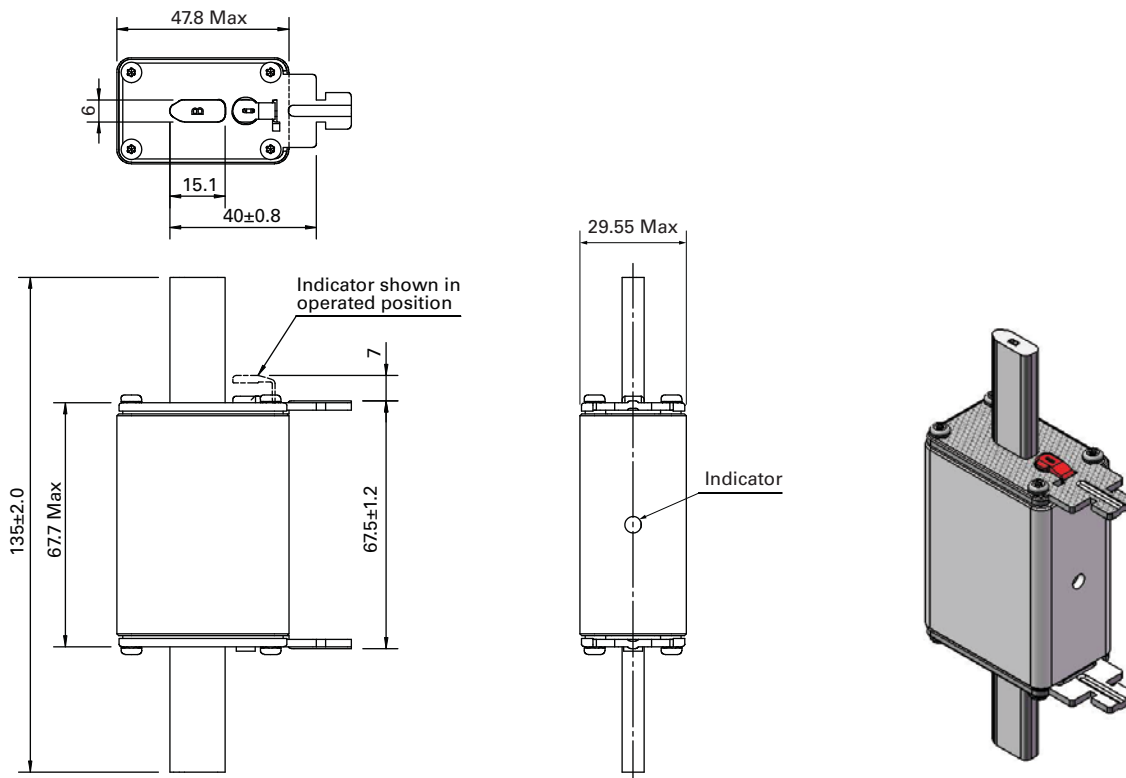
Dimensions

Dimensions

Size 0

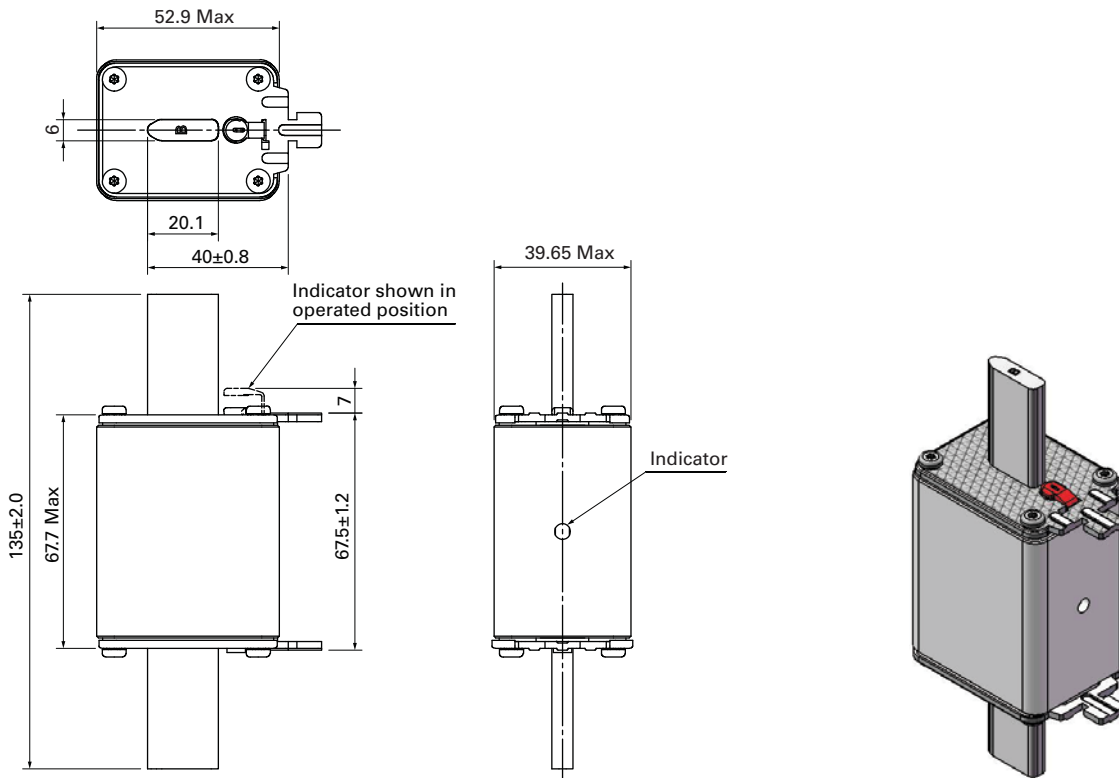


Size 01

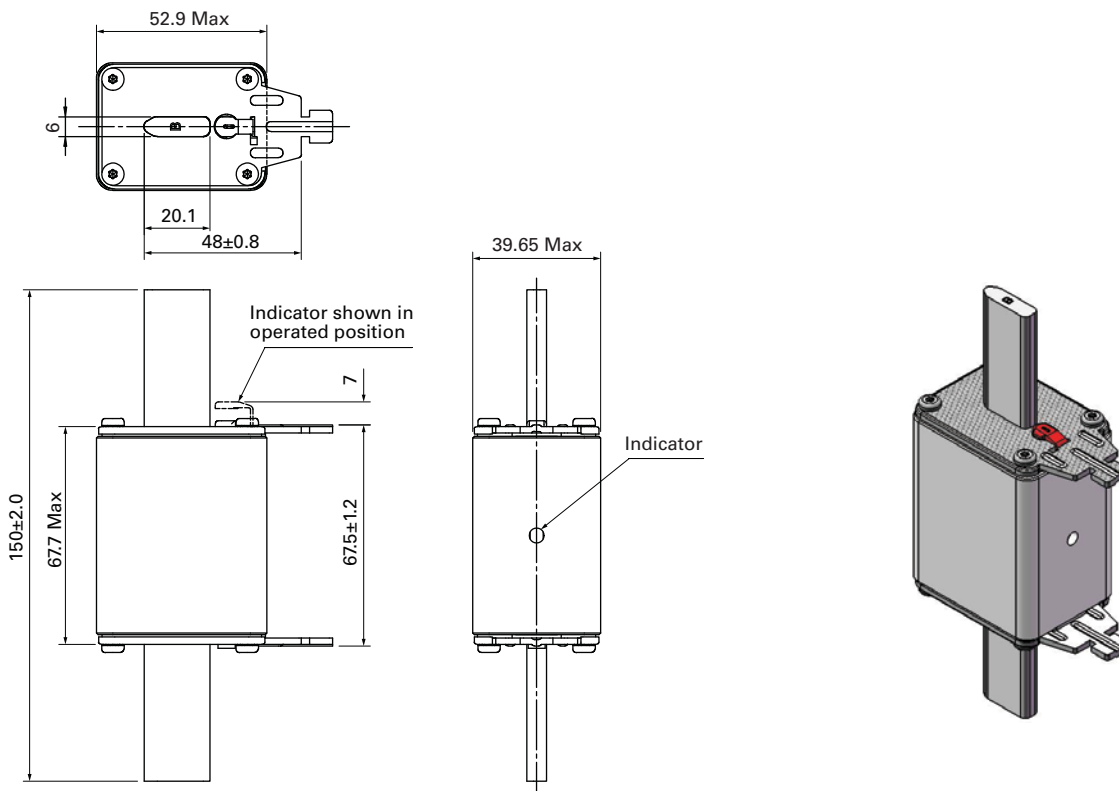


Dimensions

Size 1



Size 02



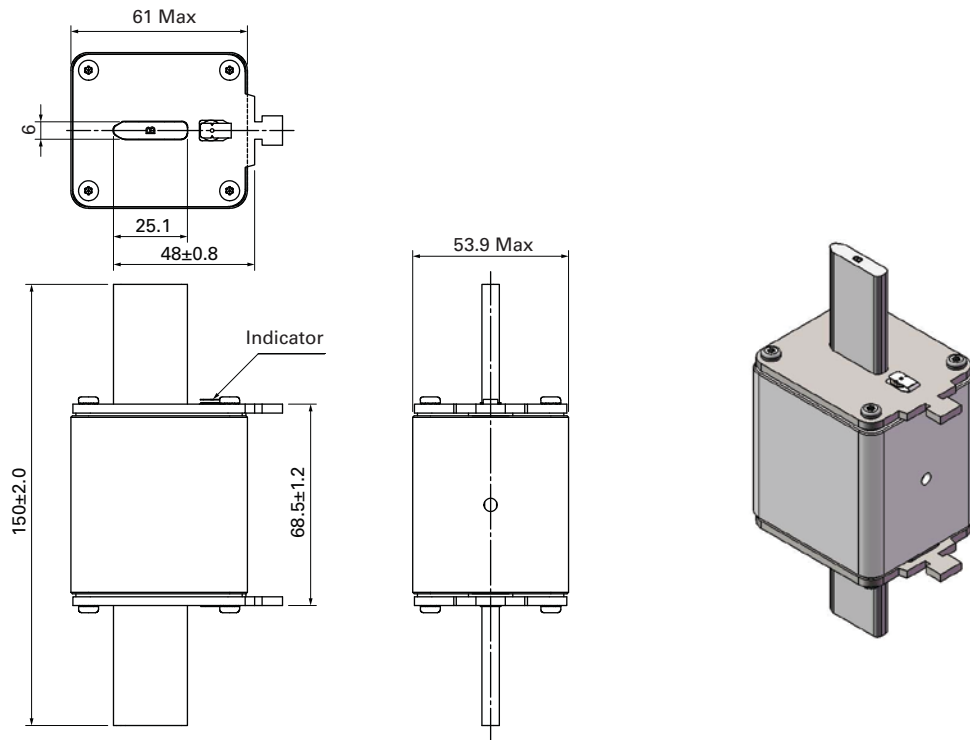
1.10

NH Fuse links

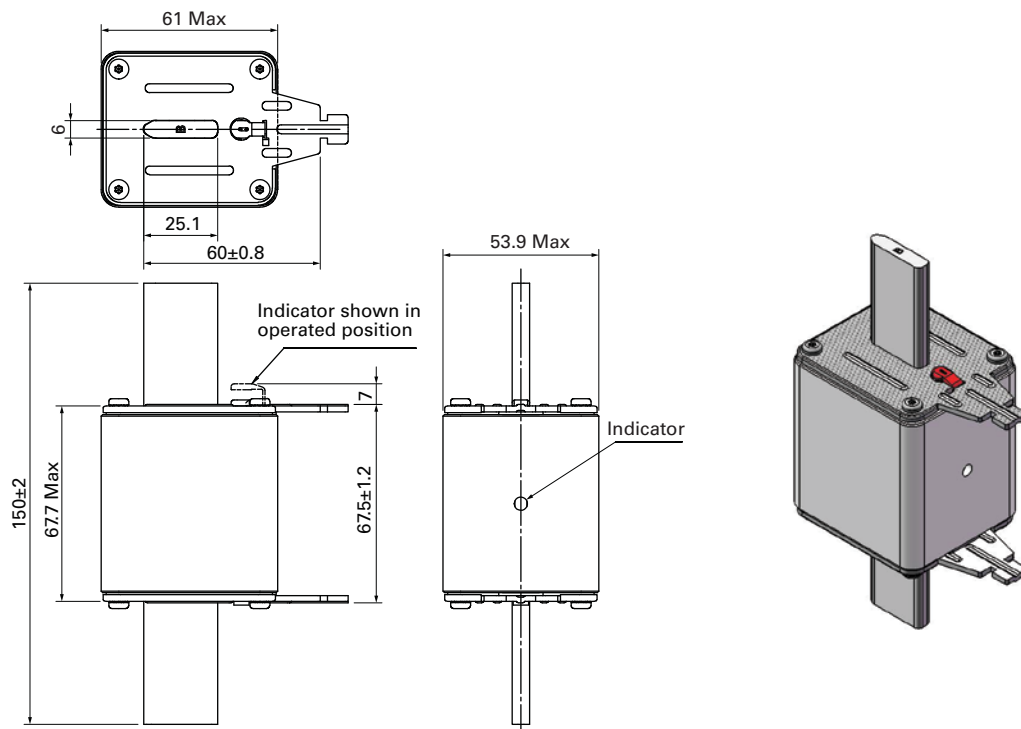
Dimensions

Dimensions

Size 2

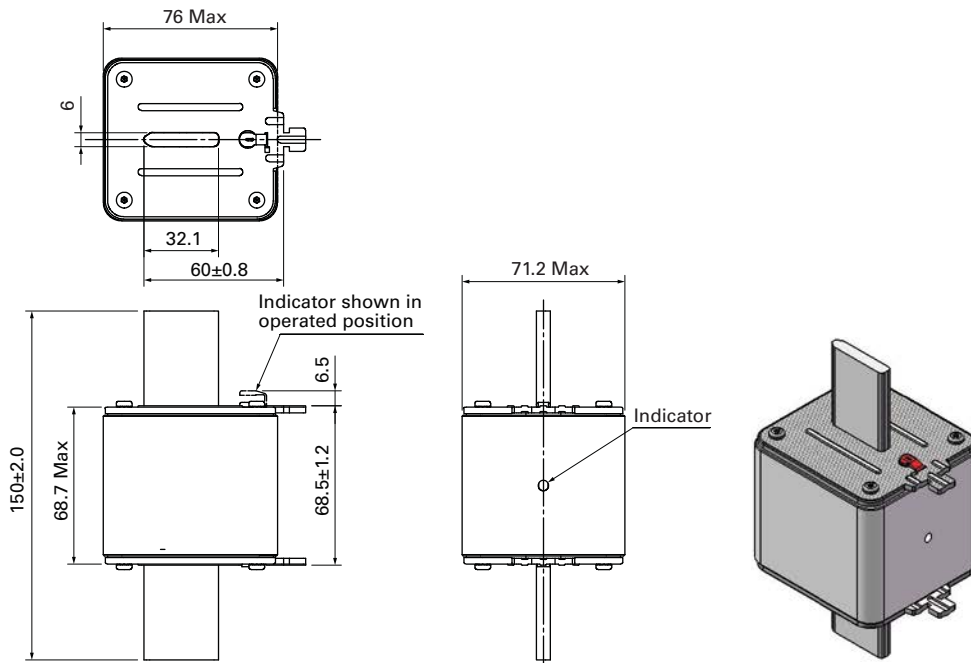


Size 03



Dimensions

Size 3



Size 4

Please contact buletechnical@eaton.com for size 4 dimensions

1.10

NH Fuse bases and accessories

SD and TD fuse bases and accessories

1.11 SD and TD fuse bases and accessories

Specifications

Description

NH fuse bases with thermoplastic bodies, DIN rail and/or screw mounting (size 4 screw mounting only). Range of accessories including phase barriers, IP20 finger-safe protection kits and neutral links available.

Microswitch also available for remote signaling of fuse link operation.

Technical data

Rated voltage: 690 V a.c.

Rated current: 160 to 1600 A

Rated for fuse links with breaking capacity: 120 kA a.c.

Standard/agency information

IEC 60269-1 and 2, VDE 0636-1 and 2

Product selection

Size	Poles	Rated current (Amps)	Catalogue numbers		Pack quantity	Compatible fuse links size
			DIN-Rail and screw mounting	Screw mounting only		
00	1-pole	160	SD00-D	SD00-S	3	400/500/690 V NH gG and aM fuse links
00	3-pole	160	TD00-D	N/A	1	400/500/690 V NH gG and aM fuse links
00	3-pole	160	TD00-DI*	N/A	1	400/500/690 V NH gG and aM fuse links
1	1-pole	250	SD1-D	SD1-S	3	400/500/690 V NH gG and aM fuse links
1	3-pole	250	TD1-D	N/A	1	400/500/690 V NH gG and aM fuse links
2	1-pole	400	SD2-D	SD2-S	3	400/500/690 V NH gG and aM fuse links
2	1-pole	400	SD2-DD**	N/A	3	400/500/690 V NH gG and aM fuse links
2	3-pole	400	TD2-D	N/A	1	400/500/690 V NH gG and aM fuse links
2	3-pole	400	TD2-DD**	N/A	1	400/500/690 V NH gG and aM fuse links
3	1-pole	630	SD3-D**	SD3-S	3	400/500/690 V NH gG and aM fuse links
3	3-pole	630	TD3-D**	N/A	1	400/500/690 V NH gG and aM fuse links
4	1-pole	1250	N/A	SD4-S	1	400/500/690 V NH gG and aM fuse links
4	1-pole	1600	N/A	SD4-S1600	1	400/500/690 V NH gG and aM fuse links

* 3-pole integral base moulding.
** Double fuse contact clips.



SD-D Single pole
DIN-Rail and screw mounting



SD-S Single pole screw
mounting only



TD-D Triple pole DIN-Rail
and screw mounting only

SD and TD fuse bases and accessories

Technical data

Fuse base catalogue numbers		SD00-D TD00-D TD00-DI	SD1-D TD1-D	SD2-D TD2-D	SD3-D TD3-D	SD4-S	SD4-S1600
Base		Glass filled PBT					
Contacts		Silver plated copper					
Screw, nuts and washers		Zinc clear plated steel					
Derating temperature factors for maximum Rated current	≤ 35°C	1	1	1	1	1	1
	40°C	0.95	0.95	0.95	0.95	0.95	0.95
	50°C	0.85	0.85	0.85	0.85	0.85	0.85
Maximum power acceptance		12W	32W	45W	60W	110W	145W
Degree of protection with covers fitted		IP20	IP20	IP20	IP20	-	-
Terminal screw		M8	M10	M10	M12	M16	M16
Maximum tightening torque terminal screw		10N•m	32N•m	32N•m	32N•m	56N•m	56N•m
Fixing	DIN-Rail	✓	✓	✓	✓	✗	✗
	Screw	✓	✓	✓	✓	✓	✓
With microswitch 16A/250V	Fuse operated signal	✓	✓	✓	✓	✗	✗
Operating temperature range		-20 to 70°C					
Storage temperature range		-40 to 80°C					

Solid links

Size	Rated current (Amps)	Catalogue numbers	Pack quantity
NH00	160	SDL-00	3
NH1	250	SDL-1	3
NH2	400	SDL-2	3
NH3	630	SDL-3	3



Solid link

Fuse extraction handle

Size	Rated current (Amps)	Catalogue numbers	Pack quantity
NH00-3	160 - 630	FEH	1



Fuse extraction handle

Shroud kit

Fuse Base	Fuse Size	Rated current (Amps)	Catalogue numbers	Description
SD1	NH1	250	SD12-SK	Kit includes 2 shrouds and 1 fuse cover
SD2	NH2	400	SD12-SK	Kit includes 2 shrouds and 1 fuse cover
SD3	NH3	630	SD3-SK	Kit includes 2 shrouds and 1 fuse cover



Shroud kit

1.10

NH Fuse bases and accessories

SD and TD fuse bases and accessories

1.11 SD and TD fuse bases and accessories

Phase barriers

Size	Rated current (Amps)	Catalogue numbers	Pack quantity	Description
NH00	160	SD00-PB	1	2-Phase barriers
NH1	250	SD12-PB	1	2-Phase barriers and 2 ganging links
NH2	400	SD12-PB	1	2-Phase barriers and 2 ganging links
NH3	630	SD3-PB	1	2-Phase barriers and 2 ganging links



Phase barrier



Ganging link

IP Protection kits



Size	Rated current (Amps)	Catalogue numbers	Fuse cover	Shroud	Phase barrier	Ganging link	Integral kit	Description
NH00	160	TD00-IP20	3	6	2			Triple pole protection kit for TD00-D with shrouds, fuse covers and phase barriers
		TD00-IP20I					1	Integral triple pole protection kit for TD00-DI with molded shrouds and phase barriers
		TD00-IP20IC	3				1	Integral triple pole protection kit for TD00-DI with fuse covers and molded shrouds and phase barriers
NH1	250	TD1-IP20	3	6	2	2	Triple pole protection kit with terminal shrouds, fuse cover phase barriers and ganging links	
NH2	400	TD2-IP20						
NH3	630	TD3-IP20						



TD00-IP20



TD00-IP20I



TD00-IP20IC



TD(size 1 to 3)-IP20

Microswitches

Catalogue Numbers	Pack quantity	Ratings
BVL50	1	6A 250 V a.c.
170H0236	12	2A 250 V a.c.
170H0238	12	2A 250 V a.c.

Microswitch suitable for the following NH fuse links:

- 400 Volts gG/gL
- 500 Volts gG/gL and aM
- 690 Volts gG/gL and aM.

Note: Microswitches fit onto the fuse gripping lugs and are applicable to all NH size Bussmann series fuses.



BVL50



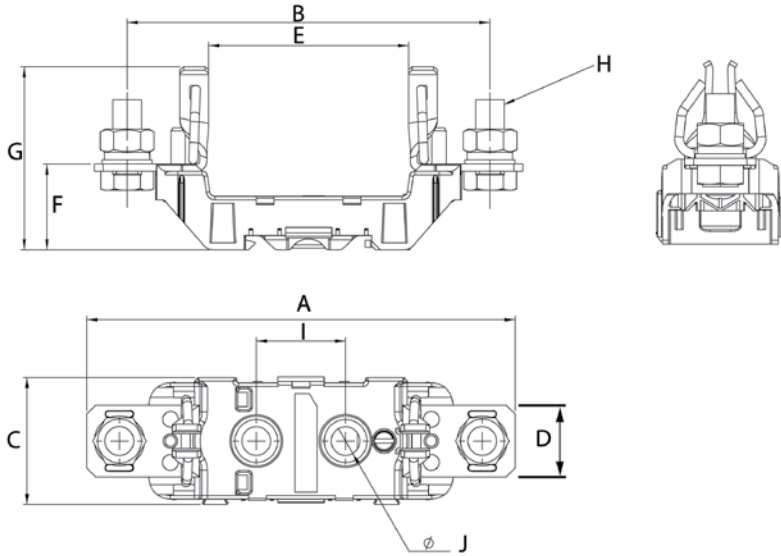
170H0236

Data sheet 10163

SD and TD fuse bases and accessories

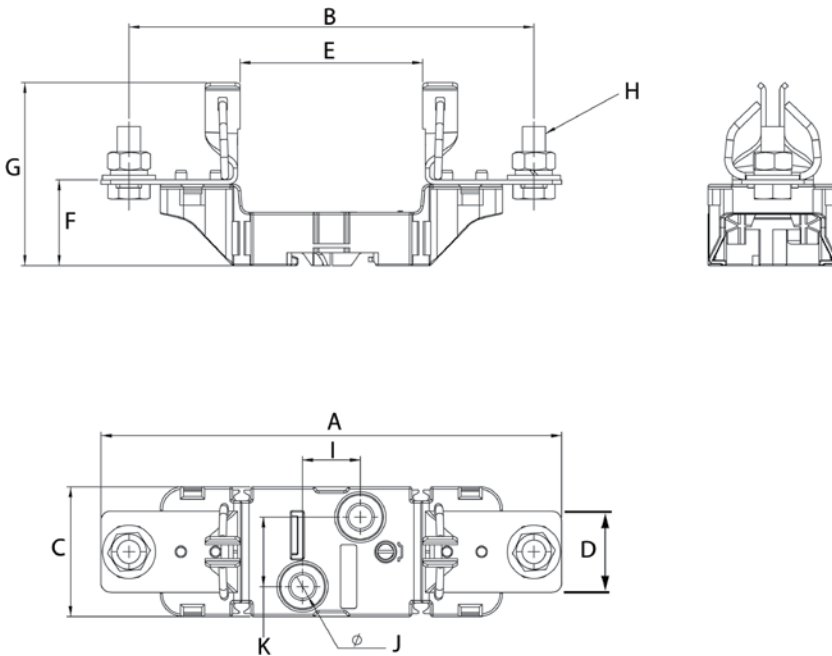
Dimensions - mm

1-pole, size 00



Size	Pole	A	B	C	D	E	F	G	H	I	J
NH00	1-pole	120	102	35.5	20	56	24	51	M8x20	25	8

1-pole, sizes 1, 2 and 3



Size	Poles/Type	A	B	C	D	E	F	G	H	I	J	K
NH1	1-pole	199	175	56	35	79	37	78	M10x25	25	10	30
NH2	1 pole	224	199	56	35	79	37.5	86	M10x25	25	10	30
	1-pole double clip	223	199	56	35	82	37	79	M10x25	25	10	30
NH3	1-pole	239	209	56	36	82	37.5	88	M12x30	25	10	30

1.10

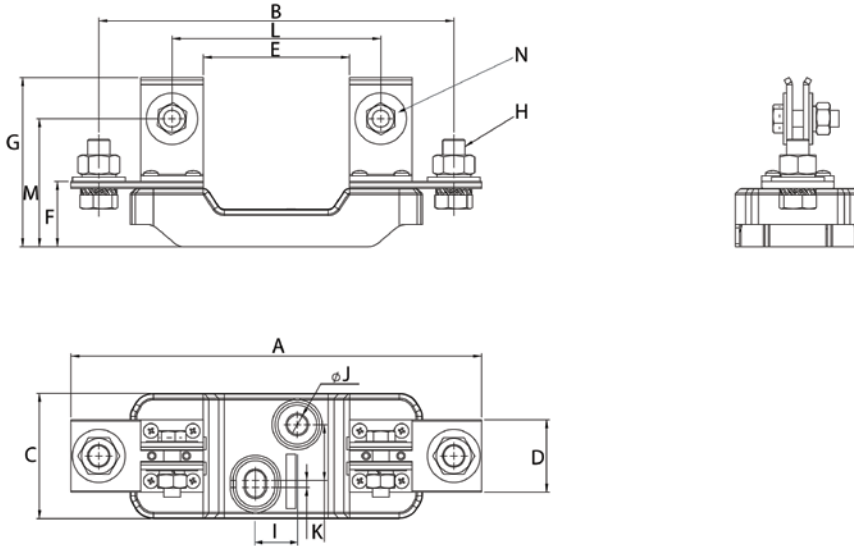
NH Fuse bases and accessories

SD and TD fuse bases and accessories

1.11 SD and TD fuse bases and accessories

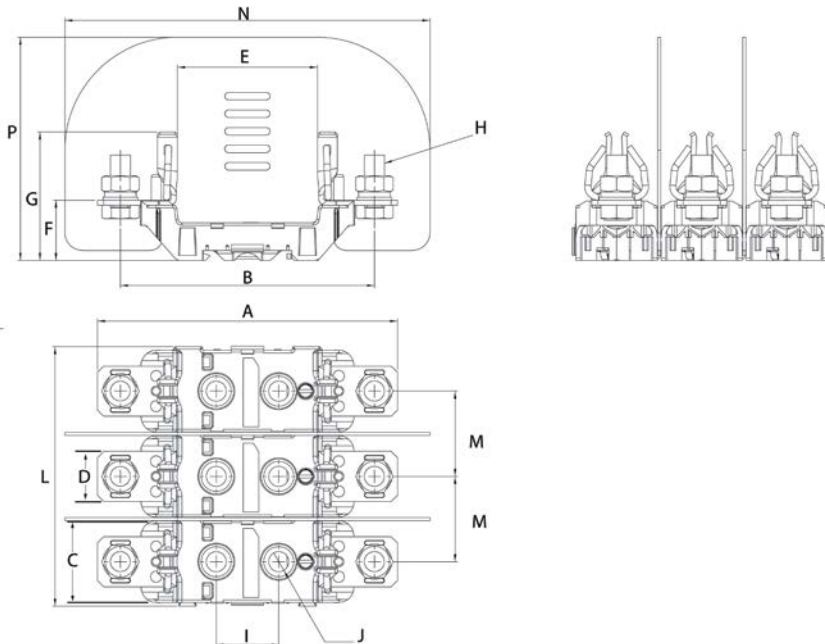
Dimensions - mm

1-pole, size 4



Size	Poles/Type	A	B	C	D	E	F	G	H	I	J	K	L	M	N
NH4	1-pole 1250A	295	255	90	52	105	47	122	M16x40	30	14	40	150	92	M12x40
	1-pole 1600A	295	255	90	60	105	50	125	M16x40	30	14	40	150	92	M12x40

3-pole, size 00

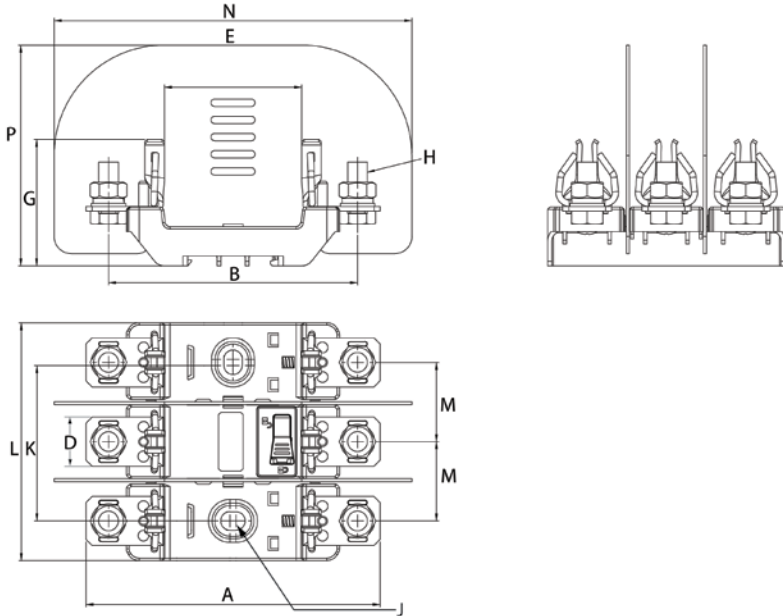


Size	Poles/Type	A	B	C	D	E	F	G	H	I	J	K	L	M	N	P
NH00	3-pole	120	102	35.5	20	56	24	51	M8x20	25	8	-	103.5	34	146	89

SD and TD fuse bases and accessories

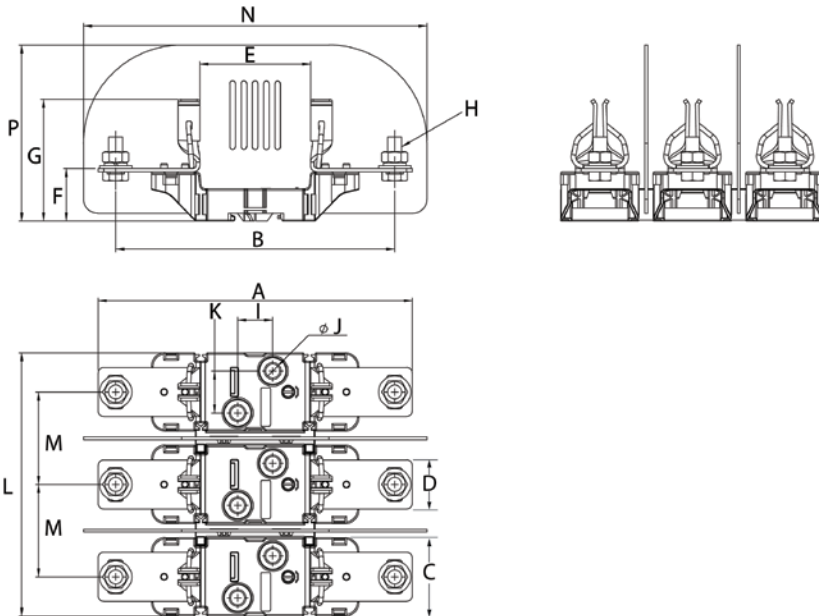
Dimensions - mm

Integral 3-pole, size 00



Size	Poles/Type	A	B	C	D	E	F	G	H	I	J	K	L	M	N	P
NH00	3-pole Integral	120	102	-	20	56	24	51	M8x20	-	7.5x10	63.5	97	32.3	146	90

3-pole, sizes 1, 2 and 3



Size	Poles/Type	A	B	C	D	E	F	G	H	I	J	K	L	M	N	P
NH1	3-pole	199	175	56	35	79	37	78	M10x25	25	10	30	188	66	245	125.5
	3-pole double clip	224	199	56	35	79	37.5	86	M10x25	25	10	30	188	66	245	125.5
NH2	3-pole double clip	223	199	56	35	82	37	79	M10x25	25	10	30	188	66	245	125.5
NH3	3-pole	239	209	56	36	82	37.5	88	M12x30	25	10	30	221	82.5	260	137.5

1.12

NH Fuse gear

EBF Vertical NH Fuse rails

EBF Vertical NH Fuse rails

Specifications

Description

Eaton's Bussmann series NH Fuse rails are specifically designed to be used with NH Fuse links. All energized metal parts are fully protected against accidental contact. They are intended for direct installation on horizontal or vertical busbar systems.

Standard/agency information

IEC 60269-1 and CE.

Technical data

Rated voltage: 690 V a.c.

Rated current:

- 160 A size 00
- 400 A size 2
- 630 A size 3



Product selection

Size	Rated current (Amps)	Busbar system	Catalogue numbers	Cable terminals	Pack quantity	Weight	Compatible fuse links size
Vertical fuse rail for NH Size 00							
00	160	100 mm*	EBF00230S8	Bridge terminals with bridge clamps (S) 4 - 70 mm ² , screw terminals with M8 screws	1	1 kg	00
			EBF00230V1	V-Terminals with V-Clamps 25 - 120 SW		1.1 kg	
			EBF00230V0	V Terminals without V-Clamps		1 kg	
		185mm	EBF00330S8	Bridge terminals with bridge clamps (S) 4 - 70 mm ² , screw terminals with M8 screws	1	2 kg	
			EBF00330V1	V-Terminals with V-Clamps 25 - 120 SW		2.2 kg	
			EBF00330V0	V Terminals without V-Clamps		2 kg	
Vertical fuse rail suitable for NH Size 1 and size 2 fuses							
2	400	185 mm	EBF2330V1	V-Terminals with V-Clamps (35 - 240 mm ²)	1	3.2 kg	1 and 2
			EBF2330M1	Screw terminals with pressed nuts M10 (M10 Screw)		3.1 kg	
			EBF2330M2	Screw terminals with pressed nuts M12 (M12 Screw)		3.1 kg	
			EBF2330W1	2V-Terminals with double V-Clamps (2 x 50 - 240 mm ²)		3.8 kg	
Vertical fuse rail suitable for NH Size 3 fuses							
3	630	185 mm	EBF3330V1	V-Terminals with V-Clamps (70 - 300 SW)	1	4 kg	3
			EBF3330M1	Screw terminals with pressed nuts M12 (M12 Screw)		3.1 kg	
			EBF3330W1	2V-Terminals with double V-Clamps (2 x 50 - 240 mm ²)		4.8 kg	

* EBF 00 - 100 mm fuse rails are designed for installation onto 100 mm busbar systems. Installation onto a 185 mm busbar system is possible by using an adaptor

Technical data

Type		EBF 00 100 mm	EBF 00 185 mm	EBF 2	EBF 3
Size		00	00	2	3
Rated thermal Rated current $I_{th} = I_n$	A	160	160	400	630
Rated voltage U_n	V	690	690	690	690
Rated insulation Rated voltage U_i	V	1000	1000	1000	1000
Rated frequency	Hz	50 - 60	50 - 60	50 - 60	50 - 60
Rated power dissipation	W	12	12	45	60
Rated short-circuit withstand Rated current	kA	100	100	100	100
Mechanical durability	Number of cycles	100	100	100	100
Weight	kg	0.75	2	4.5	5
IP Degree of protection	IP	00	00	20 ¹	20 ¹
Size of fuse links		00	00	2	3

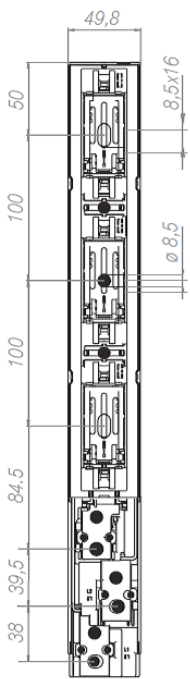
¹ With fuse links shrouds

Data sheet 10240

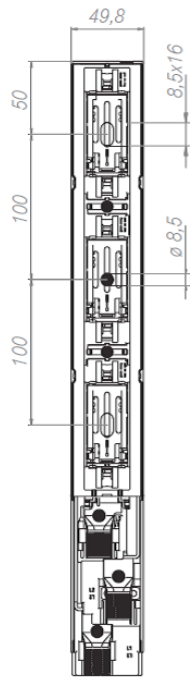
EBF Vertical NH Fuse rails

Dimensions - mm

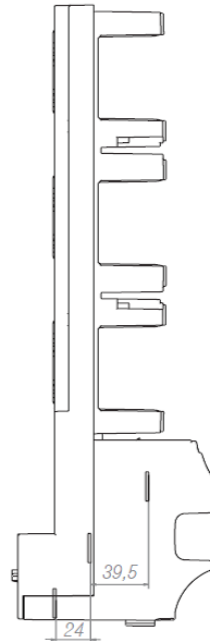
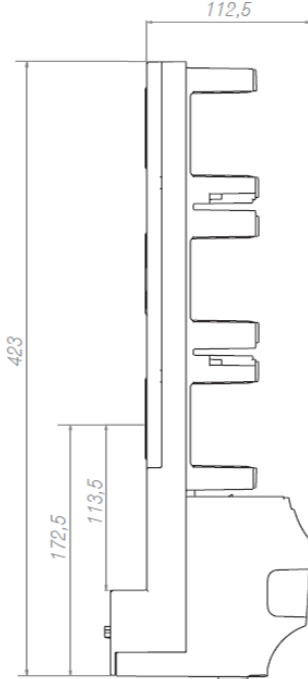
EBF 00 100 mm busbar system



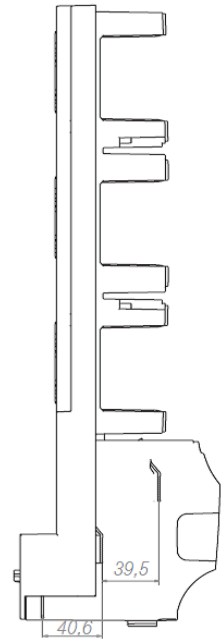
M8 Screws



V-Terminals

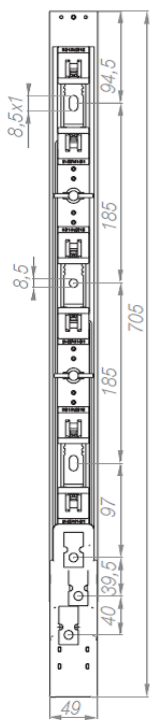


M8 Screws
side view

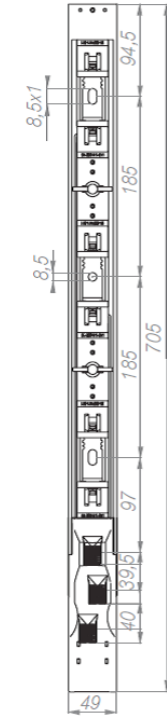
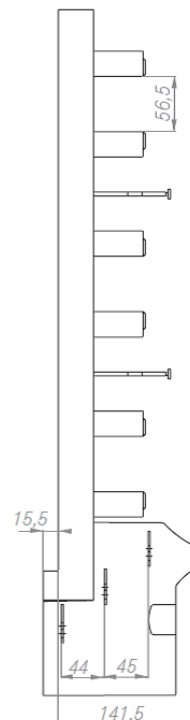


V-Terminals
side view

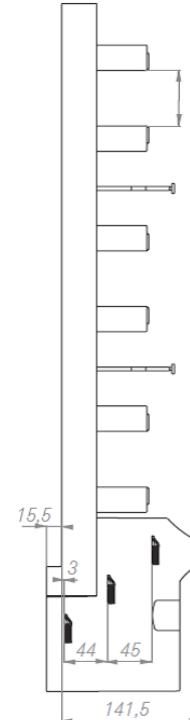
EBF 00 185 mm busbar system



M8 Screws



V-Terminals



1.12

NH Fuse gear

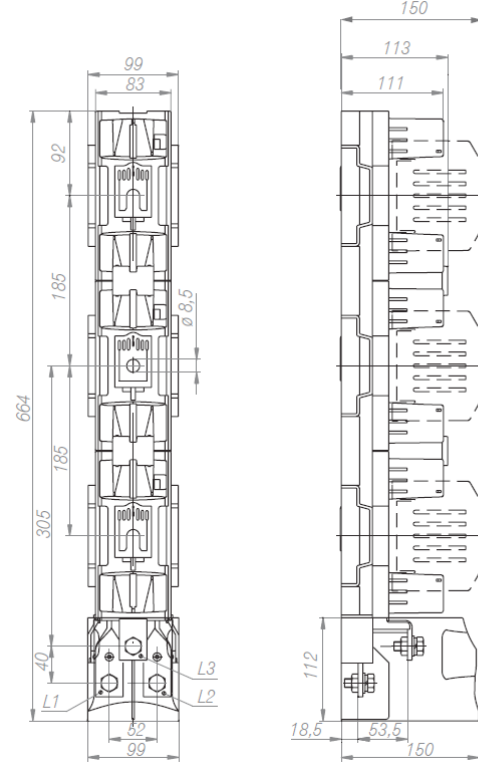
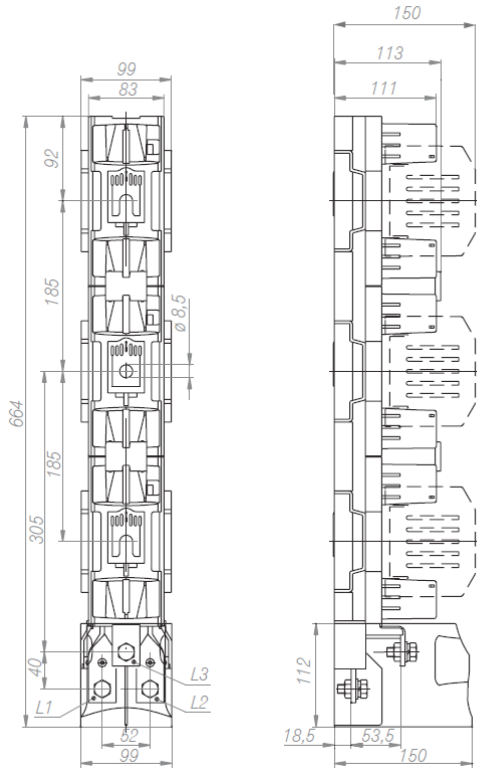
EBF Vertical NH Fuse rails

EBF Vertical NH Fuse rails

Dimensions - mm

EBF 2 and 3

EBF 2 and 3 With terminals 2V (2 x 240 mm²)



EBV Vertical NH Fuse switch disconnectors

Specifications

Description

Eaton's Bussmann series NH Vertical fuse switch disconnectors are specifically designed to be used with NH Fuse links. All energized metal parts are fully protected against accidental contact. They are suitable for direct installation on horizontal or vertical busbar systems. The three poles can be switched independently or simultaneously depending upon the version. These are manually operated switches and the making and breaking is dependent on the speed of the operation. The Bussmann serie EBV NH gear range is provided complete with the clamps (i.e. screws V-terminals/2V-terminals) and shrouds for cable termination.



Technical data

- Rated voltage: 690 V a.c.
- Rated current: 160 to 910 A
- Utilisation category:
 - AC21B 690 V a.c. Size 3
 - AC22B 500 V a.c. Sizes 00 to 3
 - AC23B 400 V a.c. Size 00 to 3.

Standard/agency information

IEC 60947-1 and 3, EN 60947-1 and 3

Technical data

Type		EBV 00/ 100 mm	EBV 00	EBV 2	EBV 3
Rated thermal Rated current with fuse links $I_{th} = I_n$	A	160	160	400	630
Rated thermal Rated current with solid links I_{th}	A	N/A	N/A	600	750
Rated voltage U_n	V	690	690	690	690
Utilisation category	690 V a.c.	AC-22B	AC-22B	AC-22B	AC-21B
	500 V a.c.	N/A	N/A	N/A	AC-22B
	400 V a.c.	AC-23B	AC-23B	AC-23B	AC-23B
Rated switching Rated current I_e	A	160	160	400	630
Rated short-circuit making Rated current	690 V a.c.	25	80	100	80
	500 V a.c.	25	N/A	100	100
	400 V a.c.	25	100	100	100
Rated short-circuit withstand Rated current	690 V a.c.	100	80	100	80
	500 V a.c.	100	N/A	100	100
	400 V a.c.	100	100	100	100
Rated insulation Rated voltage U_i	V	1000	1000	1000	1000
Rated impulse withstand Rated voltage U_{imp}	kV	8	12	12	12
Rated short time withstand Rated current I_{sw}	kA	N/A	N/A	12 ² / 15 ²	14 ² / 16 ²
Rated frequency	Hz	50/60	50/60	50/60	50/60
Mechanical durability	No. of cycles	1600	1600	1000	1000
Electrical durability		200	200	200	200
IP Rating	IP	30	20	30	30
Fuse links size		00	00	1, 2	3

1: fuse link gTr 630 kVA, DIN 43620, VDE 0636/2011 Rated voltage

2: For disconnectors 1-phase disconnected

3: For disconnectors 3-phase disconnectors

EBV Vertical NH Fuse switch disconnectors

Product selection

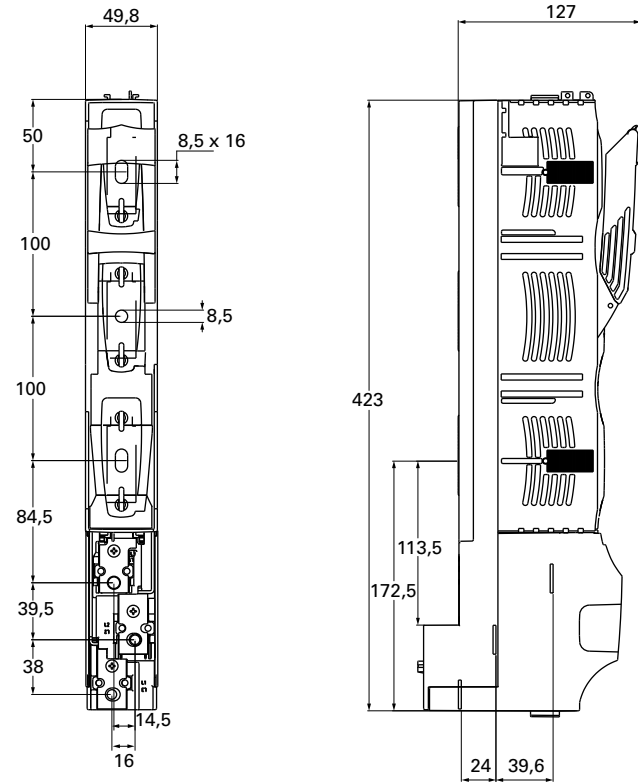
Size	Rated current (Amps)	Busbar System	Catalogue numbers	Cable terminals	Pack quantity	Weight	Compatible fuse link size
Vertical fuse switch disconnector for NH Size 00 for 100 mm busbar system - simultaneous 3 phase switching							
00	160	100	EBV0023TS8	Bridge terminals with bridge clamps (s) 4-70mm ² , screw terminals with M8 screws	1	1.3 kg	00
00	160	100	EBV00023TV1	V-terminals with V-clamps 25-120SW		1.5 kg	
00	160	100	EBV0023TV0	V-terminals, without V-clamps		1.3 kg	
Vertical fuse switch disconnector for NH Size 00 for 185 mm busbar system - each phase switching separately							
00	160	185	EBV0033SS8	Bridge terminals with bridge clamps (s) 4-70 mm ² , screw terminals with M8 screws	1	2.8 kg	00
00	160	100	EBV0033SV1	V-terminals with V-clamps 25-120SW		2.9 kg	
00	160	100	EBV0033SV0	V-terminals, without V-clamps		2.8 kg	
Vertical fuse switch disconnector for NH Size 00 for 185 mm busbar system - simultaneous 3 phase switching							
00	160	185	EBV0033TS8	Bridge terminals with bridge clamps (s) 4-70 mm ² , screw terminals with M8 screws	1	2.7 kg	00
00	160	100	EBV0033TV1	V-terminals with V-clamps 25-120SW		2.8 kg	
00	160	100	EBV0033TV0	V-terminals without V-clamps		2.7 kg	
Vertical fuse switch disconnector for NH Sizes 1 and 2 for 185 mm busbar system - each phase switching separately							
2	400	185	EBV233SV1	V-terminals with V-clamps 240 mm ²	1	5.8 kg	1 and 2
2	400	185	EBV233SM1	Screw terminals with pressed nuts M10		5.7 kg	
2	400	185	EBV233SW1	2V-terminals with double clamps 240 mm ²		6.4 kg	
2	400	185	EBV233SV0	V-terminals without V-clamps		5.5 kg	
2	400	185	EBV233SW0	2V-terminals without double V-clamps		6.9 kg	
Vertical fuse rail suitable for NH Sizes 1 and 2 fuses for 185mm busbar system - simultaneous 3 phase switching							
2	400	185	EBV233TV1	V-terminals with V-clamps 240 mm ²	1	5.8 kg	1 and 2
2	400	185	EBV233TM1	Screw terminals with pressed nuts M10		5.7 kg	
2	400	185	EBV233TW1	2V-terminals with double V-clamps 240 mm ²		6.4 kg	
2	400	185	EBV233TV0	V-terminals without V-clamps		5.5 kg	
2	400	185	EBV233TW0	2V-terminals without double V-clamps		6.9 kg	
Vertical fuse rail suitable for NH size 3 fuses for 185mm busbar system - each phase switching separately							
3	630	185	EBV333SV1	V-terminals with V-clamps 240 mm ²	1	6.6 kg	3
3	630	185	EBV333SM2	Screw terminals with pressed nuts M12		6.5 kg	
3	630	185	EBV333SW1	2V-terminals with double V-clamps 240mm ²		7.2 kg	
3	630	185	EBV333SV0	V-terminals without V-clamps		6.3 kg	
3	630	185	EBV333SW0	2V-terminals without double V-clamps		6.7 kg	
Vertical fuse rail suitable for NH size 3 fuses for 185 mm busbar system - simultaneous 3 phase switching							
3	630	185	EBV333TV1	V-terminals with V-clamps 240 mm ²	1	6.6 kg	3
3	630	185	EBV333TM2	Screw terminals with pressed nuts M12		6.5 kg	
3	630	185	EBV333TW1	2V-terminals with double V-clamps 240 mm ²		7.2 kg	
3	630	185	EBV333TV0	V-terminals without V-clamps		6.3 kg	
3	630	185	EBV333TW0	2V-terminals without double V-clamps		6.7 kg	

Data sheet 10275

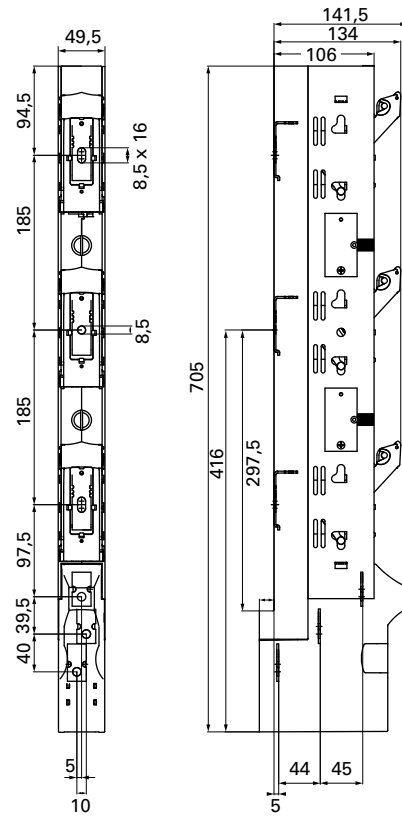
EBV Vertical NH Fuse switch disconnectors

Dimensions - mm

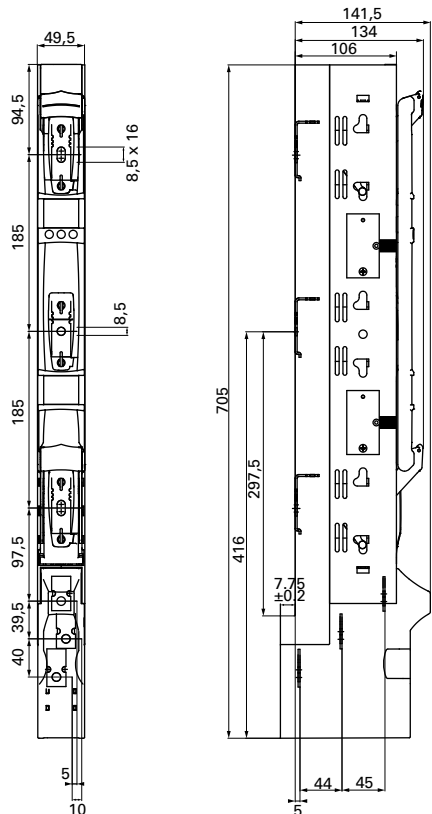
EBV 00 100 mm



EBV 00 (each phase switching separately)



EBV 00 (Three phase switching simultaneously)



1.12

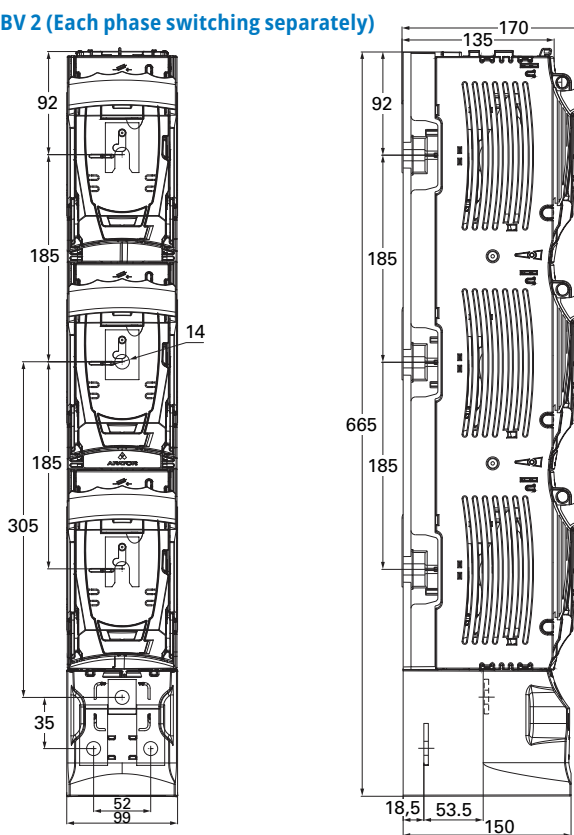
NH Fuse gear

EBV Vertical NH Fuse switch disconnectors

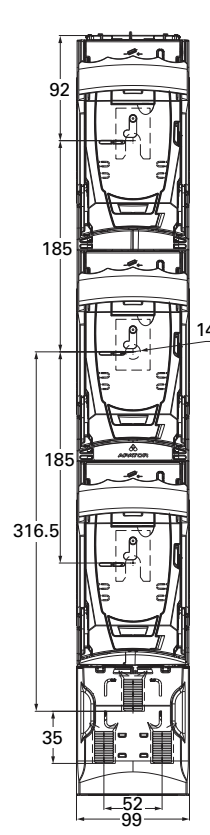
EBV Vertical NH Fuse switch disconnectors

Dimensions - mm

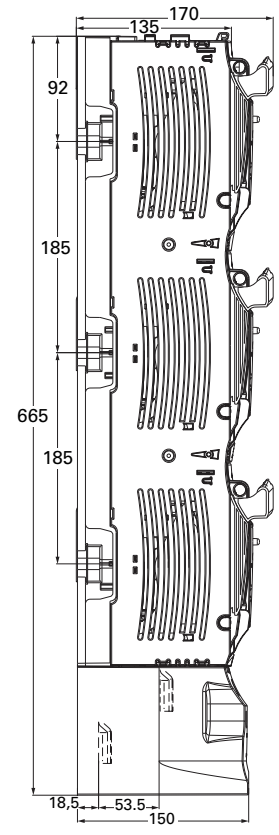
EBV 2 (Each phase switching separately)



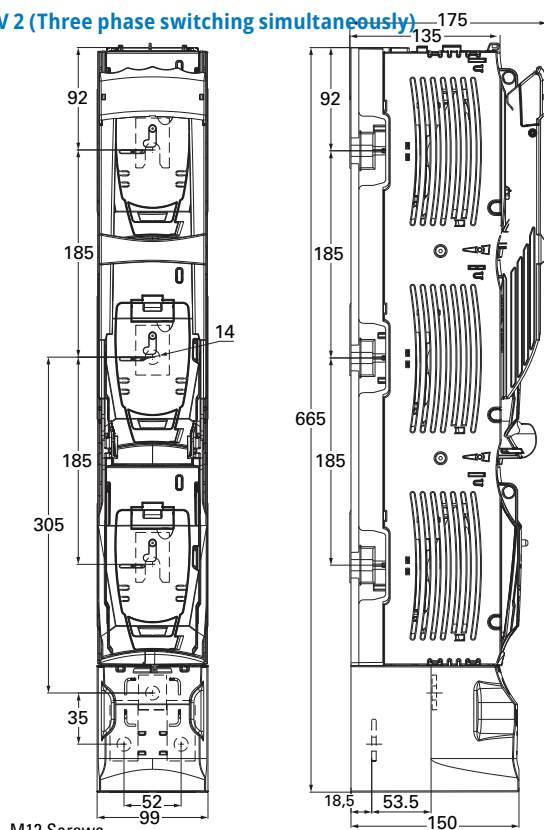
M12 Screws



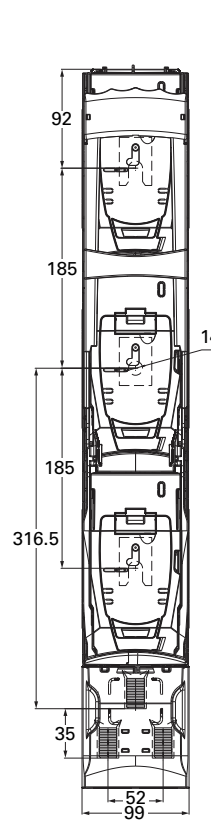
V-Terminals



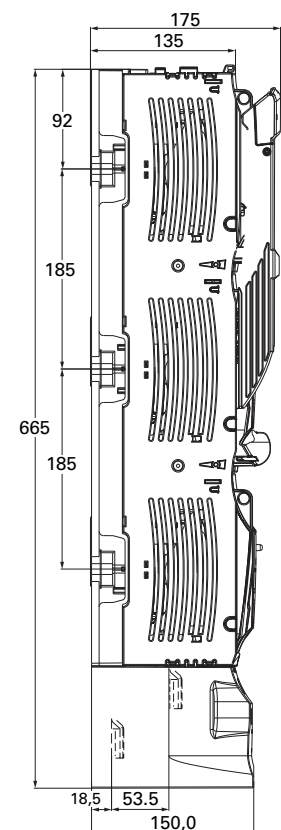
EBV 2 (Three phase switching simultaneously)



M12 Screws



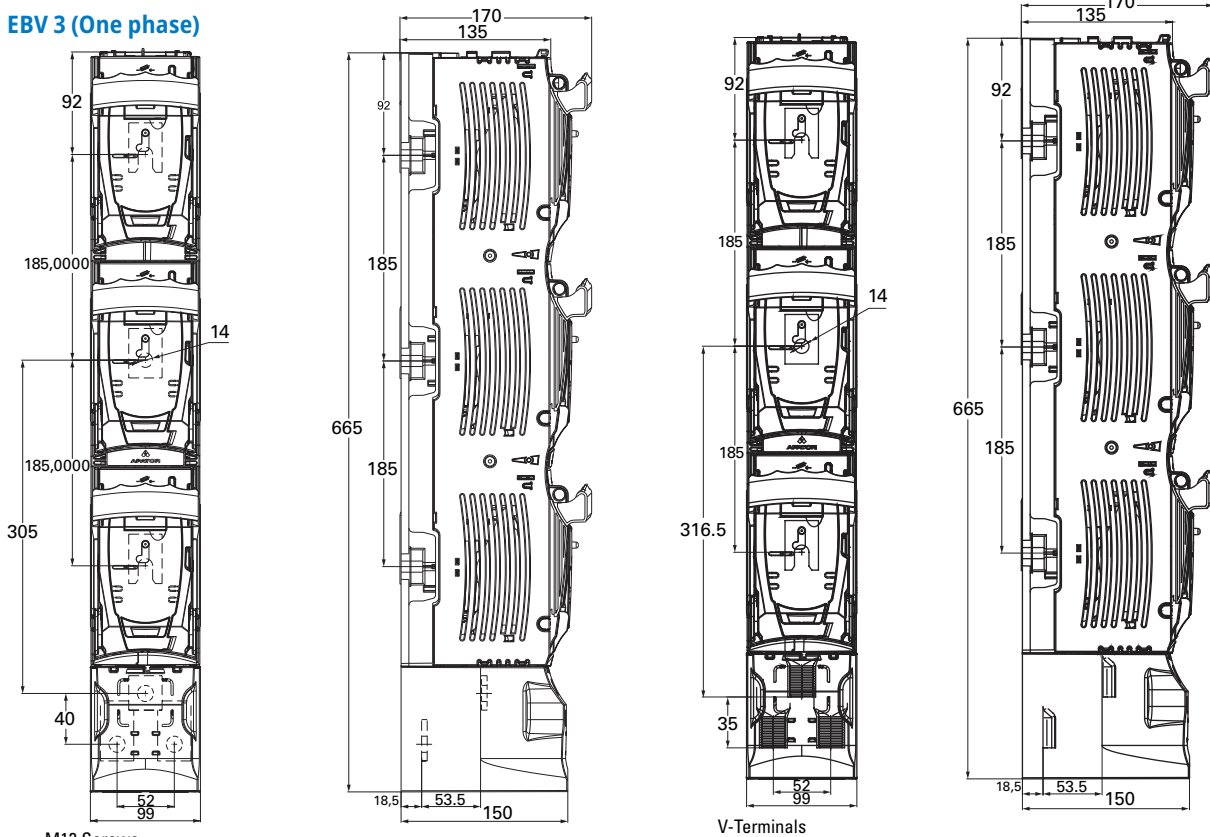
V-Terminals



EBV Vertical NH Fuse switch disconnectors

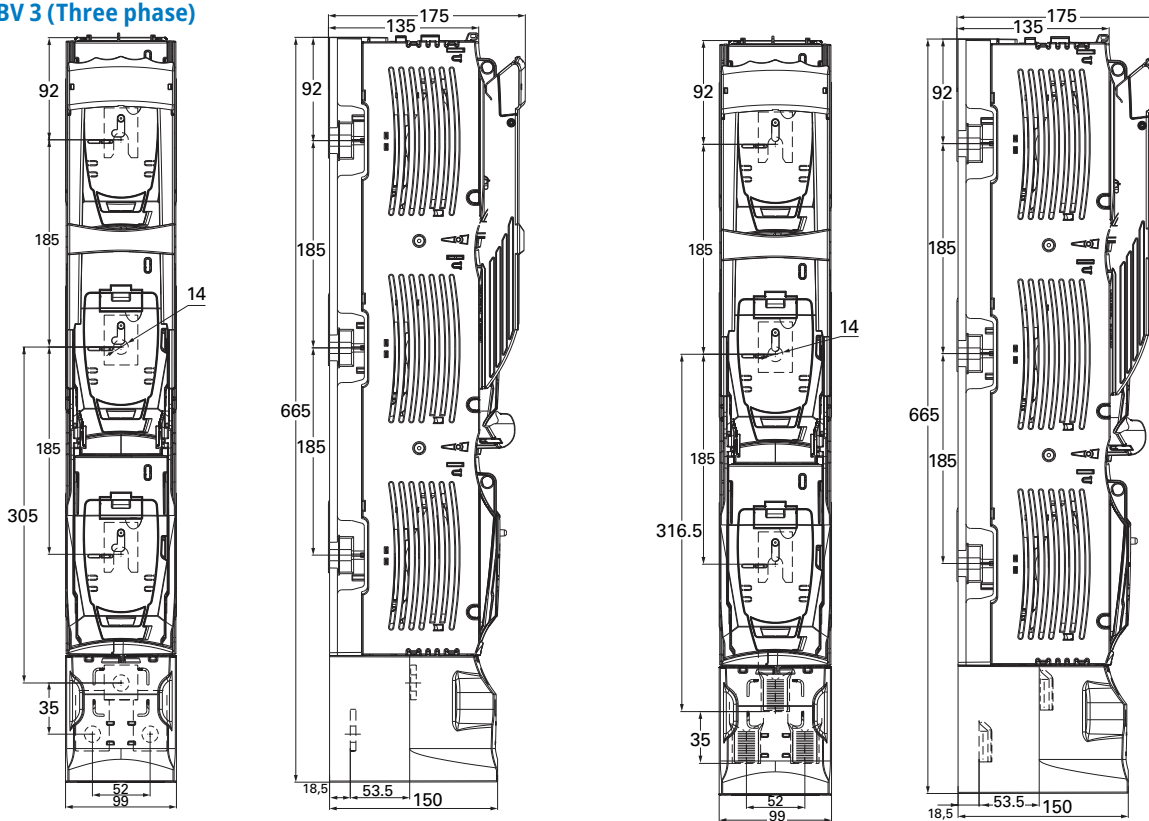
Dimensions - mm

EBV 3 (One phase)



M12 Screws

EBV 3 (Three phase)



M12 Screws

V-Terminals

Data sheet 10275

1.12

NH Fuse gear

EBH000 Horizontal fuse switch disconnectors

EBH000 Horizontal fuse switch disconnectors

Specifications

Description

Eaton's Bussmann series EBH000 NH Horizontal fuse switch disconnecter is specifically designed to be used with size 000 NH Fuse links up to 160 A. They have compact dimensions, all energized metal parts are fully protected against accidental contact. These are manually operated switches and the making and breaking is dependent on the speed of the operation.

Technical data

- Rated voltage: 690 V a.c.
- Rated current: 160 A
- Utilisation category:
 - AC21B
 - AC22B
 - AC23B
 - DC21B



Standard/agency information

- IEC 60947-1 and 3, EN 60947-1 and 3

Product selection

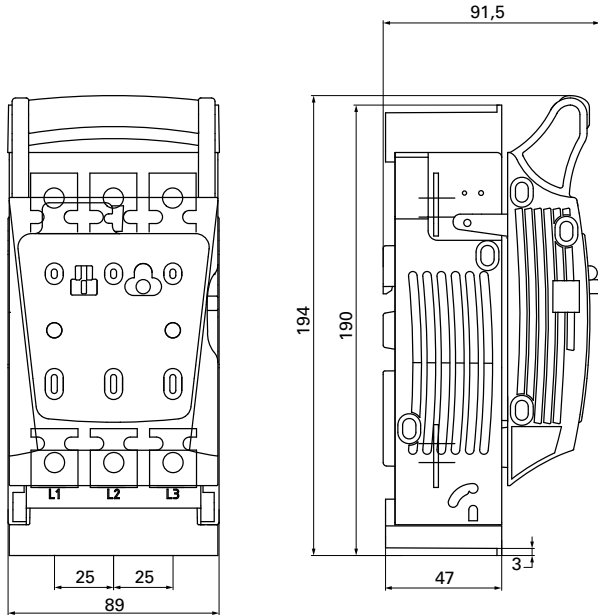
Size	Rated current (Amps)	Busbar system	Catalogue numbers	Cable terminals	Pack quantity	Compatible fuse links size
Horizontal fuse switch disconnecter for NH size 000 up to 160 A for installation on mounting plates						
000	160	N/A	EBH00003TS5	for connection of round conductors - S-bridge clamps	1	000 up to 160 A
000	160	N/A	EBH00003TS5-D	for connection of round conductors - S-bridge clamps, option to install on DIN rail	1	000 up to 160 A
000	160	N/A	EBH00003TM8	for connection of round conductors with lug terminals - M8 screws	1	000 up to 160 A
000	160	N/A	EBH00003TM8-D	for connection of round conductors with lug terminals - M8 screws, option to install on DIN rail	1	000 up to 160 A
000	160	N/A	EBH00003TS5L	for connection of round conductors - S-bridge clamps, lengthened terminal shrouds	1	000 up to 160 A
000	160	N/A	EBH00003TM8L	for connection of round conductors with lug terminals - M8 screws, lengthened terminal shrouds	1	000 up to 160 A
Horizontal fuse switch disconnecter for NH size 000 up to 160 A for installation on 60 mm busbar						
000	160	60 mm	EBH00013TBS5	Cable terminal – bottom, for connection of round conductors - S-bridge clamps	1	000 up to 160 A
000	160	60 mm	EBH00013TTS5	Cable terminal – top, for connection of round conductors - S-bridge clamps	1	000 up to 160 A
000	160	60 mm	EBH00013TBM8	Cable terminal – bottom, for connection of conductors with lug terminals - M8 screws	1	000 up to 160 A
000	160	60 mm	EBH00013TTM8	Cable terminal – top, for connection of conductors with lug terminals - M8 screws	1	000 up to 160 A

Data sheet 10292

EBH000 Horizontal fuse switch disconnectors

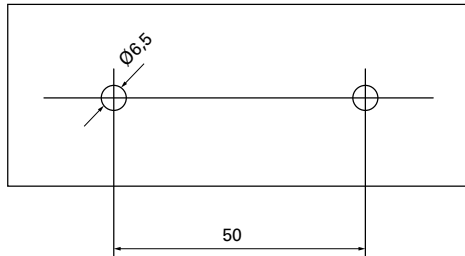
Dimensions - mm

EBH000

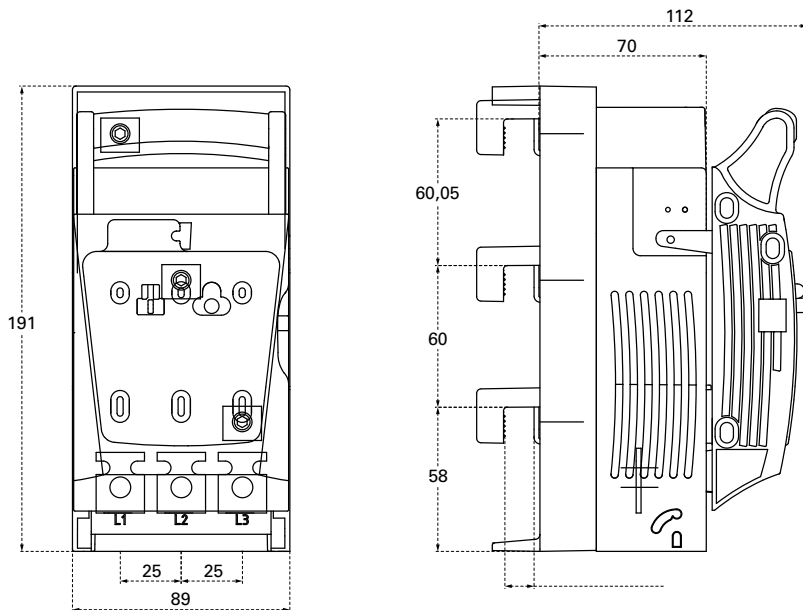


With extended terminal shrouds

Dimensions and spacing of holes for installation on EBH000 O on mounting plates



EBH000 (60 mm busbar mounting)



Bottom cable terminal
Data sheet 10292

1.12

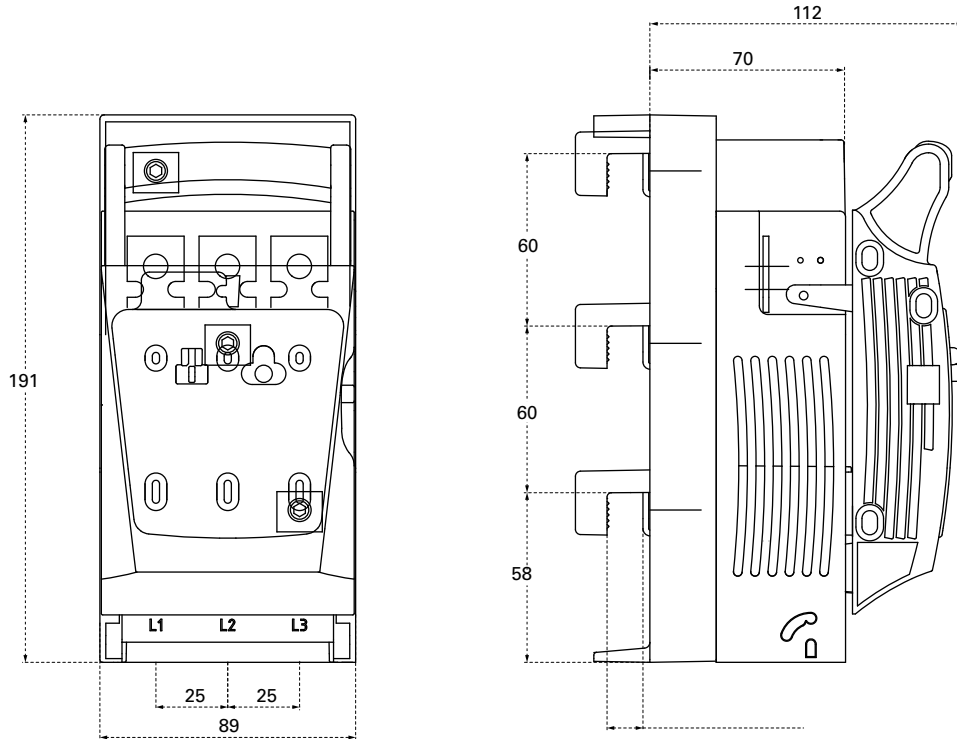
NH Fuse gear

EBH000 Horizontal fuse switch disconnectors

EBH000 Horizontal fuse switch disconnectors

Dimensions - mm

Top cable terminal



Data sheet 10292

EBH00 to 4 Horizontal fuse switch disconnectors

Specifications

Description

Eatons' Bussmann series NH horizontal fuse switch disconnectors are specifically designed to be used with NH fuse links.

All energised metal parts are fully protected against accidental contact. These are manually operated switches and the making and breaking is dependent on the speed of the operation. The Bussmann series EBV NH gear range is provided complete with the clamps (i.e. screws/V-terminals/2V-terminals) and cable for shrouds for cable termination.

Technical data

- Rated voltage: 400, 500 and 690 V a.c.
- Rated current: 160 to 1600 A
- Utilisation category:
 - AC21B Size 4
 - AC22B Sizes 00 (V 120), 1-S, 3, 4
 - AC23B Sizes 00 to 2
 - DC21B Sizes 00, 2 and 3
 - DC21B Sizes 00, 1 and 2



Standard/agency information

- IEC 60947-1 and 3, EN 60947-1 and 3

Product selection

Size	Rated current (Amps)	Busbar system	Catalogue numbers	Cable terminals	Pack quantity	Compatible fuse links size
Horizontal fuse switch disconnector for NH size 00 for installation on mounting plates						
00	160	N/A	EBH0003TS5	For connection of round conductors	1	00
00	160	N/A	EBH0003TM8	For connection of conductors with lug terminals	1	00
00	160	N/A	EBH0003TV1	For connection of sector-shaped conductors	1	00
00	160	N/A	EBH0003TS5L	For connection of round conductors, lengthened terminal shrouds	1	00
00	160	N/A	EBH0003TM8L	For connection of conductors with lug terminals, lengthened terminal shrouds	1	00
00	160	N/A	EBH0003TV1L	For connection of sector-shaped conductors, lengthened terminal shrouds	1	00
Horizontal fuse switch disconnector for NH size 00 for installation on 60 mm busbar						
00	160	60 mm	EBH0013TBM8	Cable terminal - bottom, for connection of conductors with lug terminals	1	00
00	160	60 mm	EBH0013TTM8	Cable terminal - top, for connection of conductors with lug terminals	1	00
00	160	60 mm	EBH0013TBF	Cable terminal - bottom, for connection of conductors with bare ends	1	00
00	160	60 mm	EBH0013TTF	Cable terminal - top, for connection of conductors with bare ends frame clamps	1	00
Horizontal fuse switch disconnector for NH size 1 for installation on mounting plates						
1	250	N/A	EBH103TS8	For connection of round conductors - S-bridge clamps	1	1
1	250	N/A	EBH103TM1	For connection of conductors with lug terminals - screws	1	1
1	250	N/A	EBH103TV1	For connection of sector-shaped conductors V-clamps	1	1
1	250	N/A	EBH103TVS	For connection of round conductors, top terminals, V-terminals, bottom terminals, S-bridge terminals	1	1
1	250	N/A	EBH103TVM	For connection of round conductors, top terminals, V-terminals, bottom terminals, screw terminals	1	1
1	250	N/A	EBH103TSV	For connection of round conductors, top terminals, S-bridge terminals, bottom terminals, V-terminals	1	1
1	250	N/A	EBH103TMV	For connection of round conductors, top terminal, screw terminals, bottom terminals, V-terminals	1	1

Data sheet 10293

1.12

NH Fuse gear

EBH00 to 4 Horizontal fuse switch disconnectors

EBH00 to 4 Horizontal fuse switch disconnectors

Size	Rated current (Amps)	Busbar system	Catalogue numbers	Cable terminals	Pack quantity	Compatible fuse links size
Horizontal fuse switch disconnecter for NH size 1 for installation on 60 mm busbar						
1	250	60 mm	EBH113TTS8	Top cable terminals, for connection of round conductors, S-bridge clamps	1	1
1	250	60 mm	EBH113TBS8	Bottom cable terminals, for connection of round conductors, S-bridge clamps	1	1
1	250	60 mm	EBH113TBM1	Bottom cable terminals, for connection of conductors with lug terminals - screws	1	1
1	250	60 mm	EBH113TTV1	Top cable terminals, for connection of sector-shaped conductors - V-clamps	1	1
1	250	60 mm	EBH113TBV1	Bottom cable terminals for connection of sector-shaped conductors - V-clamps	1	1
Horizontal fuse switch disconnecter for NH size 1 for installation on 100 mm busbar						
1	250	100 mm	EBH123TTS8	Top cable terminals, for connection of round conductors	1	1
1	250	100 mm	EBH123TBS8	Bottom cable terminals, for connection of round conductors - S-bridge clamps	1	1
1	250	100 mm	EBH123TTM1	Top cable terminals, for connection of conductors, with lug terminals - screws	1	1
1	250	100 mm	EBH123TBM1	Bottom cable terminals, for connection of conductors, with lug terminals - screws	1	1
1	250	100 mm	EBH123TTV1	Top cable terminals, for connection of sector shaped conductors - V-clamps	1	1
1	250	100 mm	EBH123TBV1	Bottom cable terminals for connection	1	1
Horizontal fuse switch disconnecter for NH size 2 for installation on mounting plates						
2	400	N/A	EBH203TS8	For connection of round conductors - S-bridge clamps	1	2
2	400	N/A	EBH203TM1	For connection of conductors with lug terminals - M10 screws	1	2
2	400	N/A	EBH203TV1	For connection of sector-shaped conductors - V-clamps	1	2
2	400	N/A	EBH203TW1	For connection of sector-shaped conductors - double V-clamps	1	2
Horizontal fuse switch disconnect for NH size 2 for installation on 60 mm busbar						
2	400	60	EBH213TBM1	Bottom cable terminals, for connection of conductors with lug terminals, M10 screws	1	2
2	400	60	EBH213TTM1	Top cable terminals, for connection of conductors with lug terminals, M10 screws	1	2
2	400	60	EBH213TBV1	Bottom cable terminals, for connection of sector-shaped conductors, V-clamps	1	2
2	400	60	EBH213TTV1	Top cable terminals, for connection of sector shaped conductors, V-clamps	1	2
2	400	60	EBH213TBW1	Bottom cable terminals, for connection of sector shaped conductors, double V-clamps	1	2
2	400	60	EBH213TTW1	Top cable terminals, for connection of sector shaped conductors, double V-clamps	1	2
Horizontal fuse switch disconnecter for NH size 2 for installation on 100 mm busbar						
2	400	100	EBH223TBM1	Bottom cable terminals, for connection of conductors with lug terminals, M10 screws	1	2
2	400	100	EBH223TTM1	Top cable terminals, for connection of conductors with lug terminals, M10 screws	1	2
2	400	100	EBH223TBV1	Bottom cable terminals, for connection of sector shaped conductors , V-clamps	1	2
2	400	100	EBH223TTV1	Top cable terminals, for connection of sector shaped conductors, V-clamps	1	2
2	400	100	EBH223TBW1	Bottom cable terminals, for connection of sector shaped conductors, double V-clamps	1	2
2	400	100	EBH223TTW1	Top cable terminals, for connection of sector shaped conductors, double V-clamps	1	2
Horizontal fuse switch disconnecter for NH size 3 for installation on mounting plates						
3	630	N/A	EBH303TS8	For connection of round conductors, S-bridge clamps	1	3
3	630	N/A	EBH303TM2	For connection of conductors with lug terminals, M12 screws	1	3
Horizontal fuse switch disconnecter for NH size 3 for installation on 60 mm busbar						
3	630	60 mm	EBH313TM2	For installation on to 60 mm busbar system, top/bottom cable terminals, M12 screws	1	3
Horizontal fuse switch disconnecter for NH size 4 for installation on mounting plates						
4a	1250	N/A	EBH403TM2-12	Three phase switching simultaneously	1	4
4a	1600	N/A	EBH403TM2-16	Three phase switching simultaneously	1	4
4a	1250	N/A	EBH403SM2-12	Each phase switching simultaneously	1	4
4a	1600	N/A	EBH403SM2-16	Each phase switching simultaneously	1	4

EBH00 to 4 Horizontal fuse switch disconnectors

Technical data - sizes 00, 1 and 2

		EBH 00			EBH 1			EBH 2		
Rated thermal Rated current with solid links I_{th}	A	160			250			400		
Rated voltage U_n	V	690			690			690		
Utilisation category		AC-23B	DC-21B	DC-22B	AC-23B	AC-22B	DC-22B	AC-23B	DC-21B	DC-22B
Rated switching Rated current I_e	A	160	160	160	250	250	250	400	400	400
Rated switching Rated voltage U_e	V	690	440	250	400	690	250	690	440	220
Rated short circuit making Rated current	690 V	80	20	20	80	80	25	80	15	20
	400 V	100	20	20	100	100	25	100	15	20
Rated short-circuit withstand Rated current	690 V	80	20	20	80	80	25	80		
	400 V	100	20	20	100	100	25	100		
Rated insulation Rated voltage U_i	V	1000			1000			1000		
Rated power dissipation	W	12			32			45		
Rated impulse withstand Rated voltage U_{imp}	kV	8			8			12		
Rated frequency	Hz	50-60	N/A	N/A	50-60	50-60	N/A	50-60	N/A	N/A
Mechanical durability	No of cycles	1600			1600			1000		
Electrical durability		200			200			200		
IP Rating	IP	20			30			20		
Weight	kg	0.7, 0.9			2.5			3 / 4.5		
Fuse links size		00			1			2		

Technical data - sizes 3 and 4a

		EBH 3		EBH4a	
Rated thermal Rated current with solid links I_{th}	A	630		1250	
Rated voltage U_n	V	690		500	
Utilisation category		AC-22B	DC-21B	AC-22B	AC-21B
Rated switching Rated current I_e	A	630	630	1250	1600
Rated switching Rated voltage U_e	V	690	250	500	400
Rated short circuit making Rated current	690 V	100	100		
	400 V	100	100		
Rated short-circuit withstand Rated current	690 V	25			
	400 V	25		50	
Rated insulation Rated voltage U_i	V	1000		800	
Rated power dissipation	W	60			
Rated impulse withstand Rated voltage U_{imp}	kV	12		8	
Rated frequency	Hz	50-60	N/A	50-60	
Mechanical durability	No of cycles	1000			
Electrical durability		200			
IP Rating	IP	20			
Weight	kg	5 / 5.9			
Fuse links size		3		4a	

Data sheet 10293

1.12

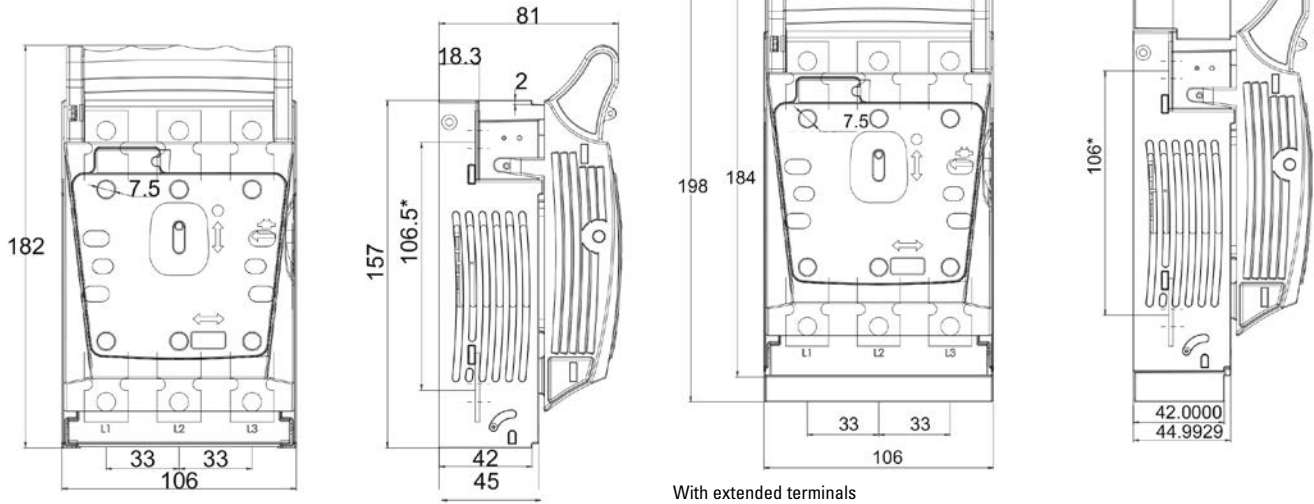
NH Fuse gear

EBH00 to 4 Horizontal fuse switch disconnectors

EBH00 to 4 Horizontal fuse switch disconnectors

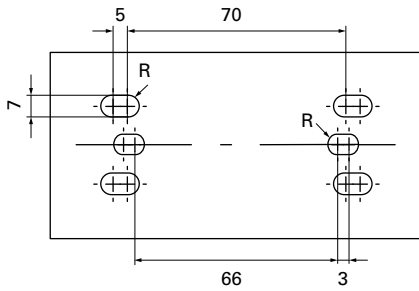
Dimensions (mm)

For EBH00 suitable for installation on mounting plates

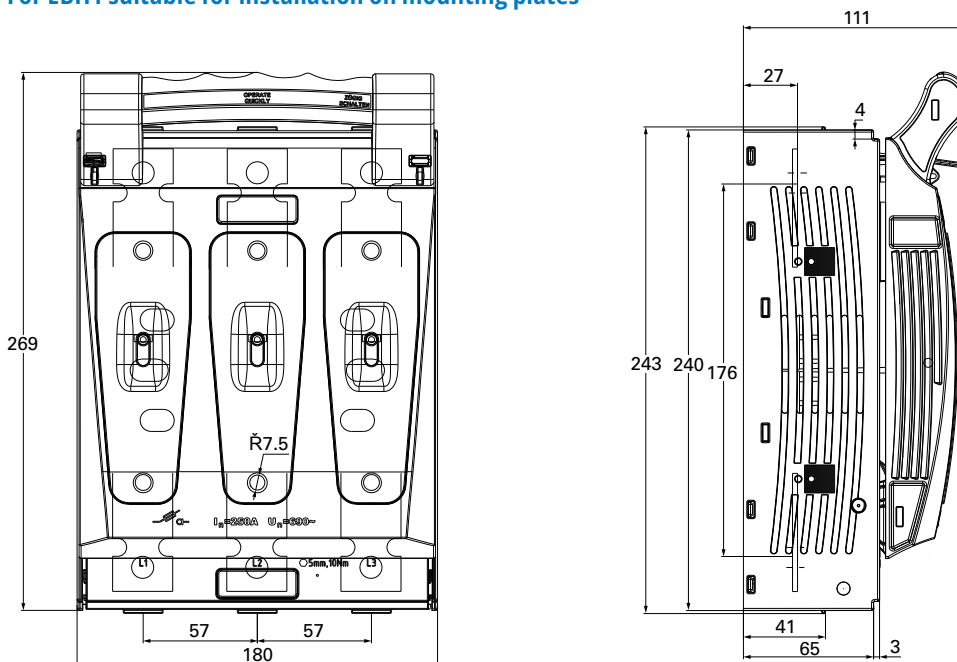


Without extended terminals

Dimensions and spacing holes for installation on mounting plates



For EBH1 suitable for installation on mounting plates

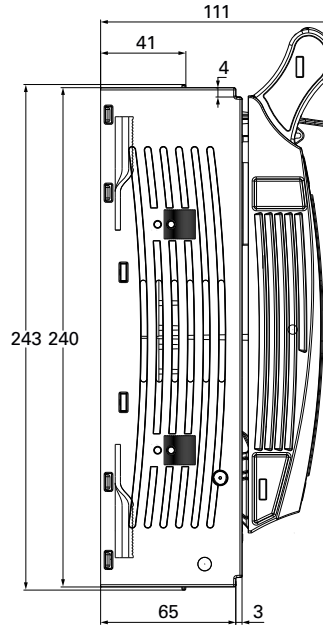
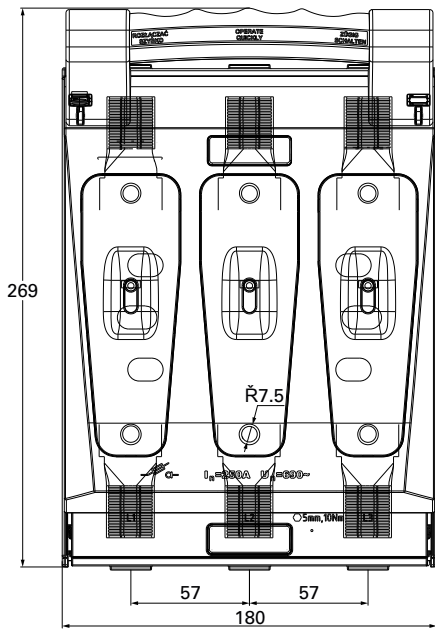


Screw terminals

Data sheet 10293

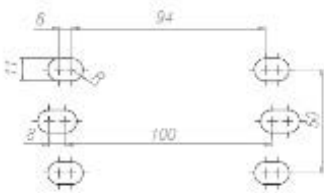
EBH00 to 4 Horizontal fuse switch disconnectors

Dimensions (mm)

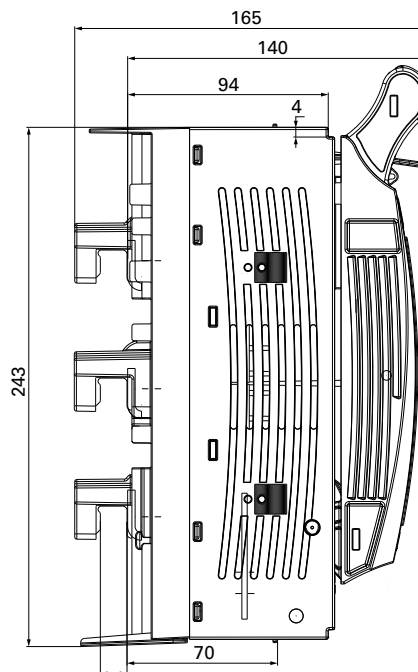
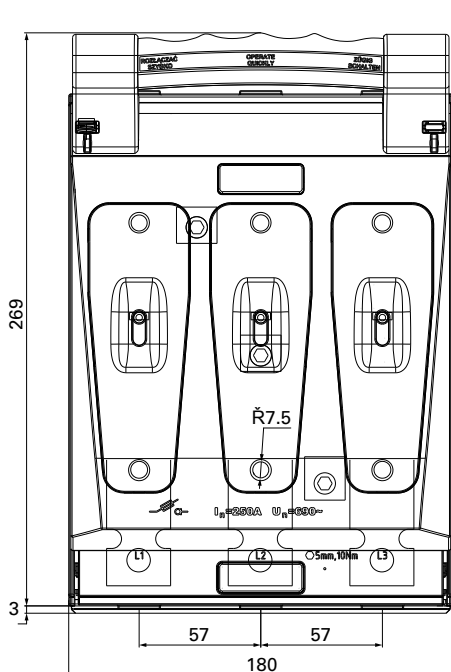


V Clamps

Dimensions and spacing holes for installation on mounting plates



For EBH1 suitable for installation on 60 mm busbar



Data sheet 10293

1.12

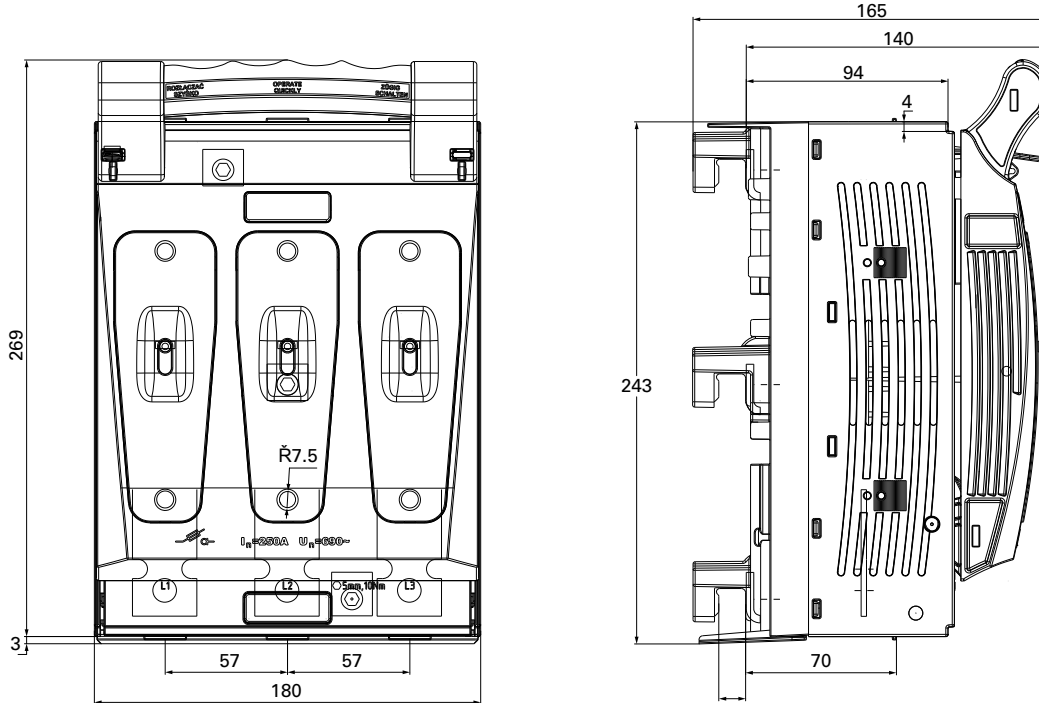
NH Fuse gear

EBH00 to 4 Horizontal fuse switch disconnectors

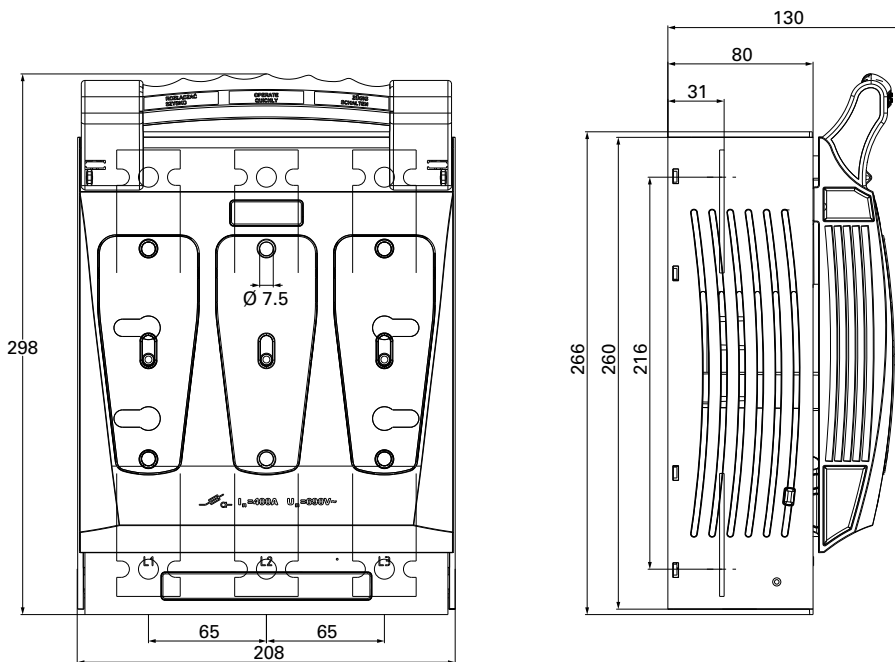
EBH00 to 4 Horizontal fuse switch disconnectors

Dimensions (mm)

For EBH1 suitable for installation on 100 mm busbar



For EBH2 suitable for installation on mounting plate



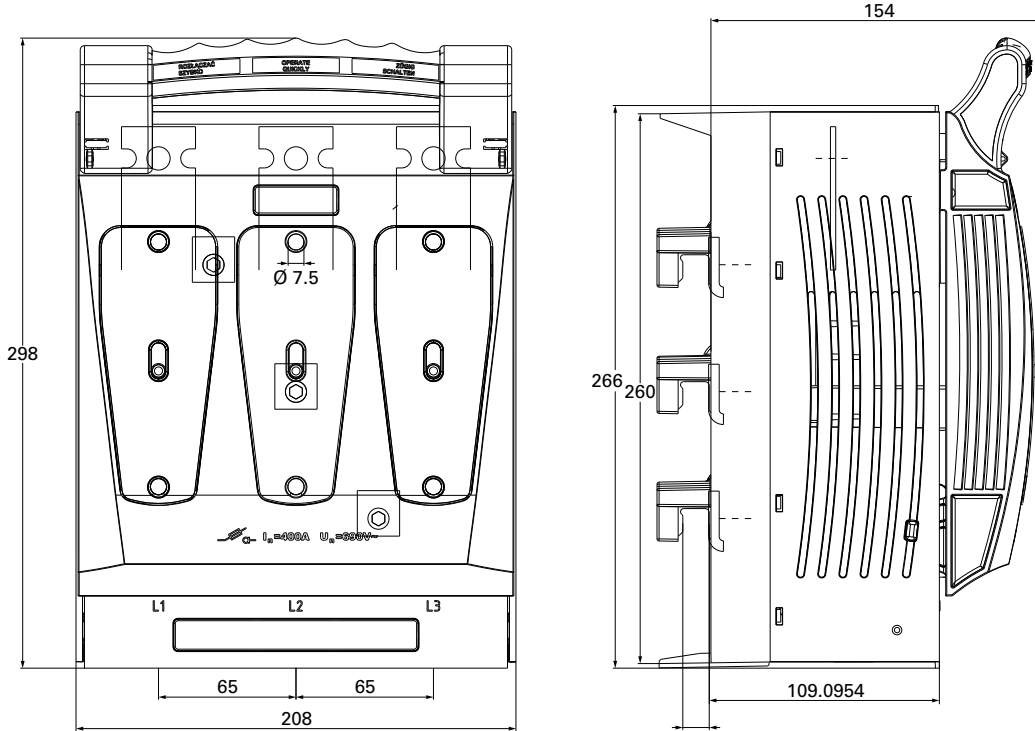
Screw Terminals

Data sheet 10293

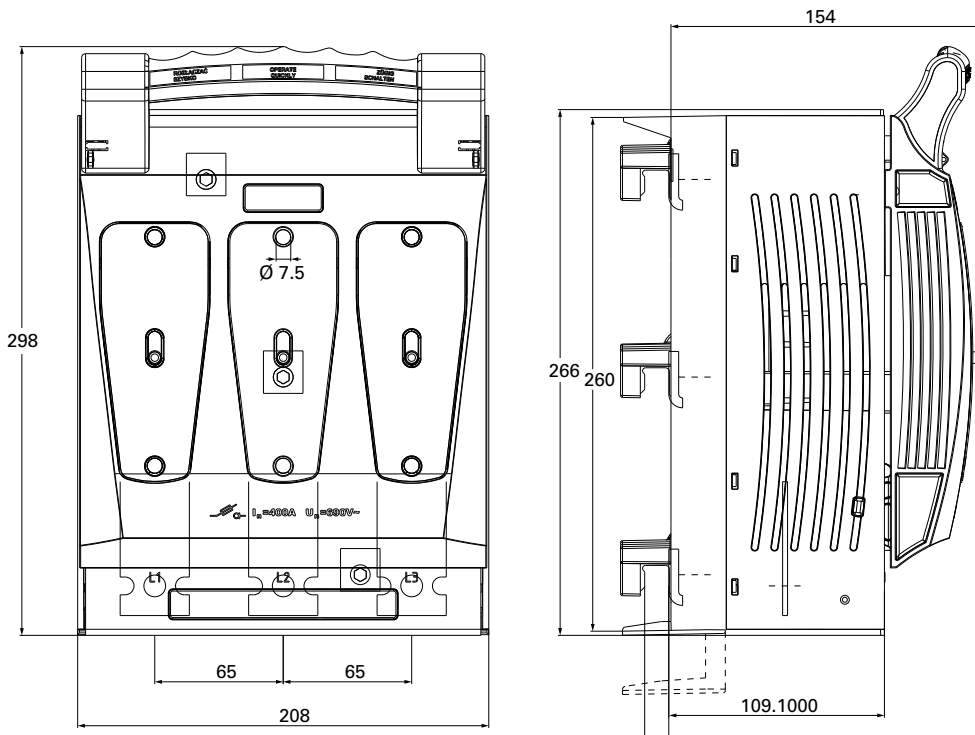
EBH00 to 4 Horizontal fuse switch disconnectors

Dimensions (mm)

For EBH2 suitable for installation on 60 mm busbar



For EBH2 suitable for installation on 100 mm busbar



1.12

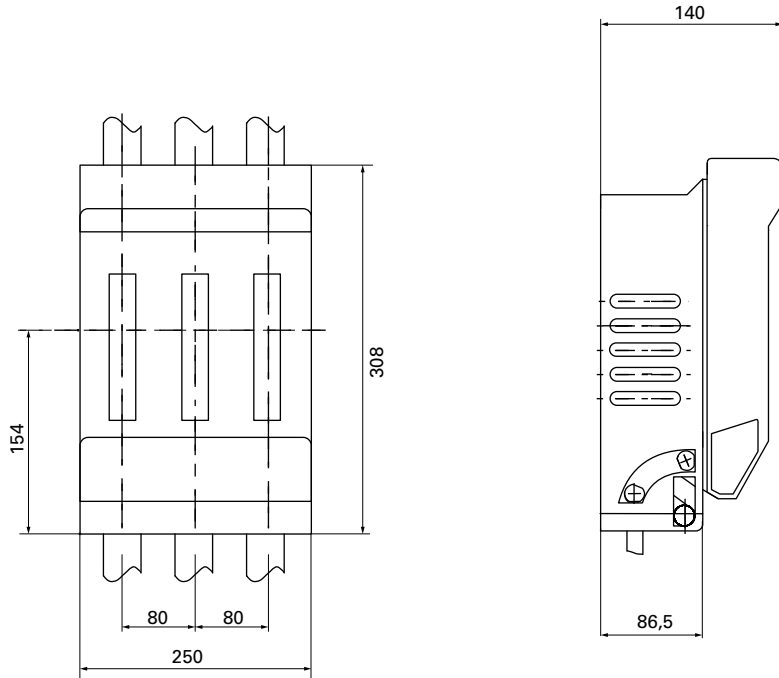
NH Fuse gear

EBH00 to 4 Horizontal fuse switch disconnectors

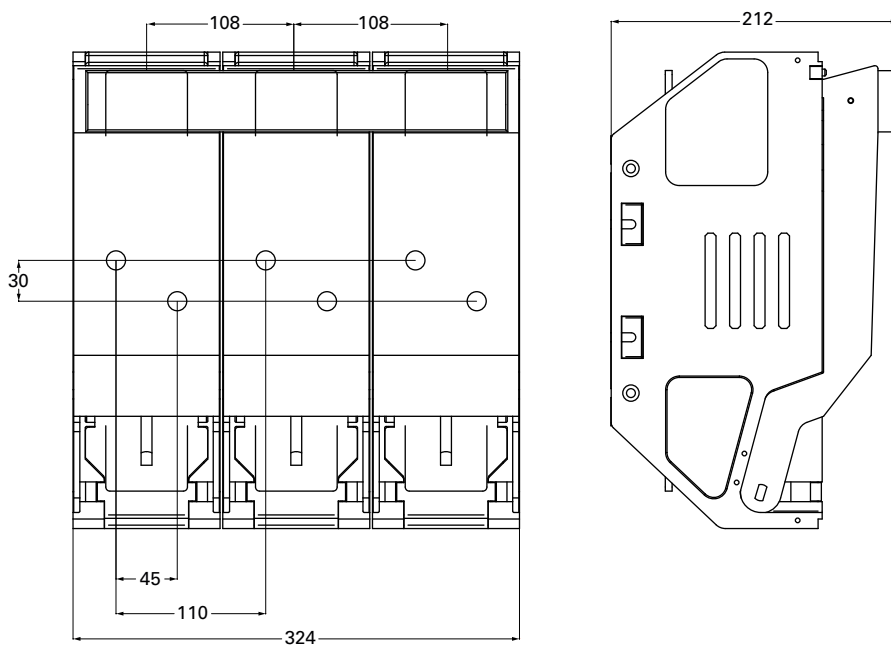
EBH00 to 4 Horizontal fuse switch disconnectors

Dimensions - mm

EBH3



EBH4



Data sheet 10293

Type D Time delay / fast acting / ultra rapid fuse links, bases and accessories

Specifications

Description

Class gG D fuse links for industrial and domestic applications.
All these fuse links incorporate a visual indicator of fuse operation.

Technical data

Rated voltage: 500 V a.c.
Rated current: 2 to 200 A
Breaking capacity: 50 kA at 500 V a.c.
Operating class: Time delay, fast acting and ultra rapid

Standard/agency information

IEC 60269 and VDE 0636

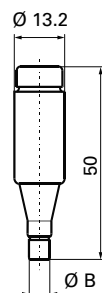
Product selection

D16, 500 V a.c., 2 to 25 A, size DI, time delay, fast acting and ultra rapid fuse links



Catalogue numbers	Type	Size	Rated voltage	Rated current (Amps)	Breaking capacity	Pack quantity	To fit base	Compatible gauge ring	Gauge ring colour
2D16	Time delay	DI	500 V a.c.	2	50 kA at 500 V a.c.	10	E16/DI	2GD16	Pink
4D16	Time delay	DI	500 V a.c.	4	50 kA at 500 V a.c.	10	E16/DI	4GD16	Brown
6D16	Time delay	DI	500 V a.c.	6	50 kA at 500 V a.c.	10	E16/DI	6GD16	Green
10D16	Time delay	DI	500 V a.c.	10	50 kA at 500 V a.c.	10	E16/DI	10GD16	Red
16D16	Time delay	DI	500 V a.c.	16	50 kA at 500 V a.c.	10	E16/DI	16GD16	Grey
20D16	Time delay	DI	500 V a.c.	20	50 kA at 500 V a.c.	10	E16/DI	20GD16	Blue
25D16	Time delay	DI	500 V a.c.	25	50 kA at 500 V a.c.	10	E16/DI	25GD16	Yellow
2D16Q	Fast acting	DI	500 V a.c.	2	50 kA at 500 V a.c.	10	E16/DI	2GD16	Pink
4D16Q	Fast acting	DI	500 V a.c.	4	50 kA at 500 V a.c.	10	E16/DI	4GD16	Brown
6D16Q	Fast acting	DI	500 V a.c.	6	50 kA at 500 V a.c.	10	E16/DI	6GD16	Green
10D16Q	Fast acting	DI	500 V a.c.	10	50 kA at 500 V a.c.	10	E16/DI	10GD16	Red
16D16Q	Fast acting	DI	500 V a.c.	16	50 kA at 500 V a.c.	10	E16/DI	16GD16	Grey
20D16Q	Fast acting	DI	500 V a.c.	20	50 kA at 500 V a.c.	10	E16/DI	20GD16	Blue
25D16Q	Fast acting	DI	500 V a.c.	25	50 kA at 500 V a.c.	10	E16/DI	25GD16	Yellow
2D16R	Ultra rapid	DI	500 V a.c.	2	50 kA at 500 V a.c.	10	E16/DI	2GD16	Pink
4D16R	Ultra rapid	DI	500 V a.c.	4	50 kA at 500 V a.c.	10	E16/DI	4GD16	Brown
6D16R	Ultra rapid	DI	500 V a.c.	6	50 kA at 500 V a.c.	10	E16/DI	6GD16	Green
10D16R	Ultra rapid	DI	500 V a.c.	10	50 kA at 500 V a.c.	10	E16/DI	10GD16	Red
16D16R	Ultra rapid	DI	500 V a.c.	16	50 kA at 500 V a.c.	10	E16/DI	16GD16	Grey
20D16R	Ultra rapid	DI	500 V a.c.	20	50 kA at 500 V a.c.	10	E16/DI	20GD16	Blue
25D16R	Ultra rapid	DI	500 V a.c.	25	50 kA at 500 V a.c.	10	E16/DI	25GD16	Yellow

Dimensions - mm



Rated current (Amps)	B
2	6
4	6
6	6
10	8
16	10
20	12
25	14

Data sheet: 4124

1.13

D and D0 Fuse links and accessories

Type D - Time delay / fast acting / ultra rapid fuse links, bases and accessories

Type D - Time delay / fast acting / ultra rapid fuse links, bases and accessories

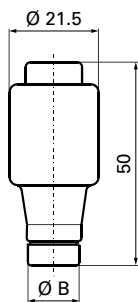
Product selection

D27, 500 V a.c., 2 to 30 A, size DII, time delay, fast acting and ultra rapid fuse links



Catalogue numbers	Type	Size	Rated voltage	Rated current (Amps)	Breaking capacity	Pack quantity	To fit base	Compatible gauge ring	Gauge ring colour
2D27	Time delay	DII	500 V a.c.	2	50 kA at 500 V a.c.	25	E27/DII	2GD27	Pink
4D27	Time delay	DII	500 V a.c.	4	50 kA at 500 V a.c.	25	E27/DII	4GD27	Brown
6D27	Time delay	DII	500 V a.c.	6	50 kA at 500 V a.c.	25	E27/DII	6GD27	Green
10D27	Time delay	DII	500 V a.c.	10	50 kA at 500 V a.c.	25	E27/DII	10GD27	Red
16D27	Time delay	DII	500 V a.c.	16	50 kA at 500 V a.c.	25	E27/DII	16GD27	Grey
20D27	Time delay	DII	500 V a.c.	20	50 kA at 500 V a.c.	25	E27/DII	20GD27	Blue
25D27	Time delay	DII	500 V a.c.	25	50 kA at 500 V a.c.	25	E27/DII	25GD27	Yellow
2D27Q	Fast acting	DII	500 V a.c.	2	50 kA at 500 V a.c.	25	E27/DII	2GD27Q	Pink
4D27Q	Fast acting	DII	500 V a.c.	4	50 kA at 500 V a.c.	25	E27/DII	4GD27Q	Brown
6D27Q	Fast acting	DII	500 V a.c.	6	50 kA at 500 V a.c.	25	E27/DII	6GD27Q	Green
10D27Q	Fast acting	DII	500 V a.c.	10	50 kA at 500 V a.c.	25	E27/DII	10GD27	Red
16D27Q	Fast acting	DII	500 V a.c.	16	50 kA at 500 V a.c.	25	E27/DII	16GD27	Grey
20D27Q	Fast acting	DII	500 V a.c.	20	50 kA at 500 V a.c.	25	E27/DII	20GD27	Blue
25D27Q	Fast acting	DII	500 V a.c.	25	50 kA at 500 V a.c.	25	E27/DII	25GD27	Yellow
2D27R	Ultra rapid	DII	500 V a.c.	2	50 kA at 500 V a.c.	25	E27/DII	2GD27	Pink
4D27R	Ultra rapid	DII	500 V a.c.	4	50 kA at 500 V a.c.	25	E27/DII	4GD27	Brown
6D27R	Ultra rapid	DII	500 V a.c.	6	50 kA at 500 V a.c.	25	E27/DII	6GD27	Green
10D27R	Ultra rapid	DII	500 V a.c.	10	50 kA at 500 V a.c.	25	E27/DII	10GD27	Red
16D27R	Ultra rapid	DII	500 V a.c.	16	50 kA at 500 V a.c.	25	E27/DII	16GD27	Grey
20D27R	Ultra rapid	DII	500 V a.c.	20	50 kA at 500 V a.c.	25	E27/DII	20GD27	Blue
25D27R	Ultra rapid	DII	500 V a.c.	25	50 kA at 500 V a.c.	25	E27/DII	25GD27	Yellow
30D27R	Ultra rapid	DII	500 V a.c.	30	50 kA at 500 V a.c.	25	E27/DII	30GD27	Black

Dimensions - mm



Rated current (Amps)	B
2	6
4	6
6	6
10	8
16	10
20	12
25	14
30	14

Data sheet: 4124

Type D - Time delay / fast acting / ultra rapid fuse links, bases and accessories

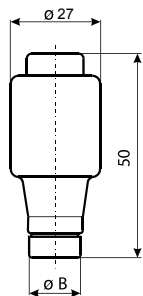
Product selection

D33, 500 V a.c., 32 to 63 A, size DIII, time delay, fast acting and ultra rapid fuse links



Catalogue numbers	Type	Size	Rated voltage	Rated current (Amps)	Breaking capacity	Pack quantity	To fit base	Compatible gauge ring	Gauge ring colour
32D33	Time delay	DII	500 V a.c.	32	50 kA at 500 V a.c.	25	E33	35GD33	Black
35D33	Time delay	DII	500 V a.c.	35	50 kA at 500 V a.c.	25	E33	35GD33	Black
40D33	Time delay	DII	500 V a.c.	40	50 kA at 500 V a.c.	25	E33	35GD33	Black
50D33	Time delay	DII	500 V a.c.	50	50 kA at 500 V a.c.	25	E33	50GD33	White
63D33	Time delay	DII	500 V a.c.	63	50 kA at 500 V a.c.	25	E33	63GD33	Copper
35D33Q	Fast acting	DII	500 V a.c.	35	50 kA at 500 V a.c.	25	E33	35GD33	Black
50D33Q	Fast acting	DII	500 V a.c.	50	50 kA at 500 V a.c.	25	E33	50GD33	White
63D33Q	Fast acting	DII	500 V a.c.	63	50 kA at 500 V a.c.	25	E33	63GD33	Copper
35D33R	Ultra rapid	DII	500 V a.c.	35	50 kA at 500 V a.c.	25	E33	35GD33	Black
50D33R	Ultra rapid	DII	500 V a.c.	50	50 kA at 500 V a.c.	25	E33	50GD33	White
63D33R	Ultra rapid	DII	500 V a.c.	63	50 kA at 500 V a.c.	25	E33	63GD33	Copper

Dimensions - mm



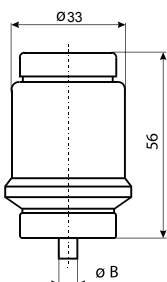
Rated current (Amps)	B
32	16
35	16
40	16
50	18
63	20

D125, 500 V a.c., 80 and 100 A, size DV, time delay, fast acting and ultra rapid fuse links



Catalogue numbers	Type	Size	Rated voltage	Rated current (Amps)	Breaking capacity	Pack quantity	To fit base	Compatible gauge ring	Gauge ring colour
80D125	Time delay	DIV	500 V a.c.	80	50 kA at 500 V a.c.	10	R1 1/4"	80GD125	Silver
100D125	Time delay	DIV	500 V a.c.	100	50 kA at 500 V a.c.	10	R1 1/4"	100GD125	Red
80D125Q	Fast acting	DIV	500 V a.c.	80	50 kA at 500 V a.c.	10	R1 1/4"	80GD125	Silver
100D125Q	Fast acting	DIV	500 V a.c.	100	50 kA at 500 V a.c.	10	R1 1/4"	100GD125	Red
80D125R	Ultra rapid	DIV	500 V a.c.	80	50 kA at 500 V a.c.	10	R1 1/4"	80GD125	Silver
100D125R	Ultra rapid	DIV	500 V a.c.	100	50 kA at 500 V a.c.	10	R1 1/4"	100GD125	Red

Dimensions - mm



Rated current (Amps)	B
80	5
100	7

Data sheet: 4124

1.13

D and D0 Fuse links and accessories

Type D - Time delay / fast acting / ultra rapid fuse links, bases and accessories

Type D - Time delay / fast acting / ultra rapid fuse links, bases and accessories

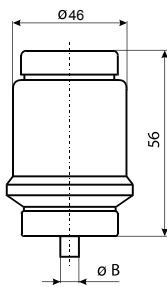
Product selection

D200, 500 V a.c., 125 to 200 A, size DV, time delay, fast acting and ultra rapid fuse links



Catalogue numbers	Type	Size	Rated voltage	Rated current (Amps)	Breaking capacity	Pack quantity	To fit base	Compatible gauge ring	Gauge ring colour
125D200	Time delay		500 V a.c.	125	50 kA at 500 V a.c.	10	DV	R2	Yellow
160D200	Time delay		500 V a.c.	160	50 kA at 500 V a.c.	10	DV	R2	Copper
200D200	Time delay		500 V a.c.	200	50 kA at 500 V a.c.	10	DV	R2	Blue
125D200Q	Fast acting		500 V a.c.	125	50 kA at 500 V a.c.	10	DV	R2	Yellow
160D200Q	Fast acting		500 V a.c.	160	50 kA at 500 V a.c.	10	DV	R2	Copper
200D200Q	Fast acting		500 V a.c.	200	50 kA at 500 V a.c.	10	DV	R2	Blue
125D200R	Ultra rapid		500 V a.c.	125	50 kA at 500 V a.c.	10	DV	R2	Yellow
160D200R	Ultra rapid		500 V a.c.	160	50 kA at 500 V a.c.	10	DV	R2	Copper
200D200R	Ultra rapid		500 V a.c.	200	50 kA at 500 V a.c.	10	DV	R2	Blue

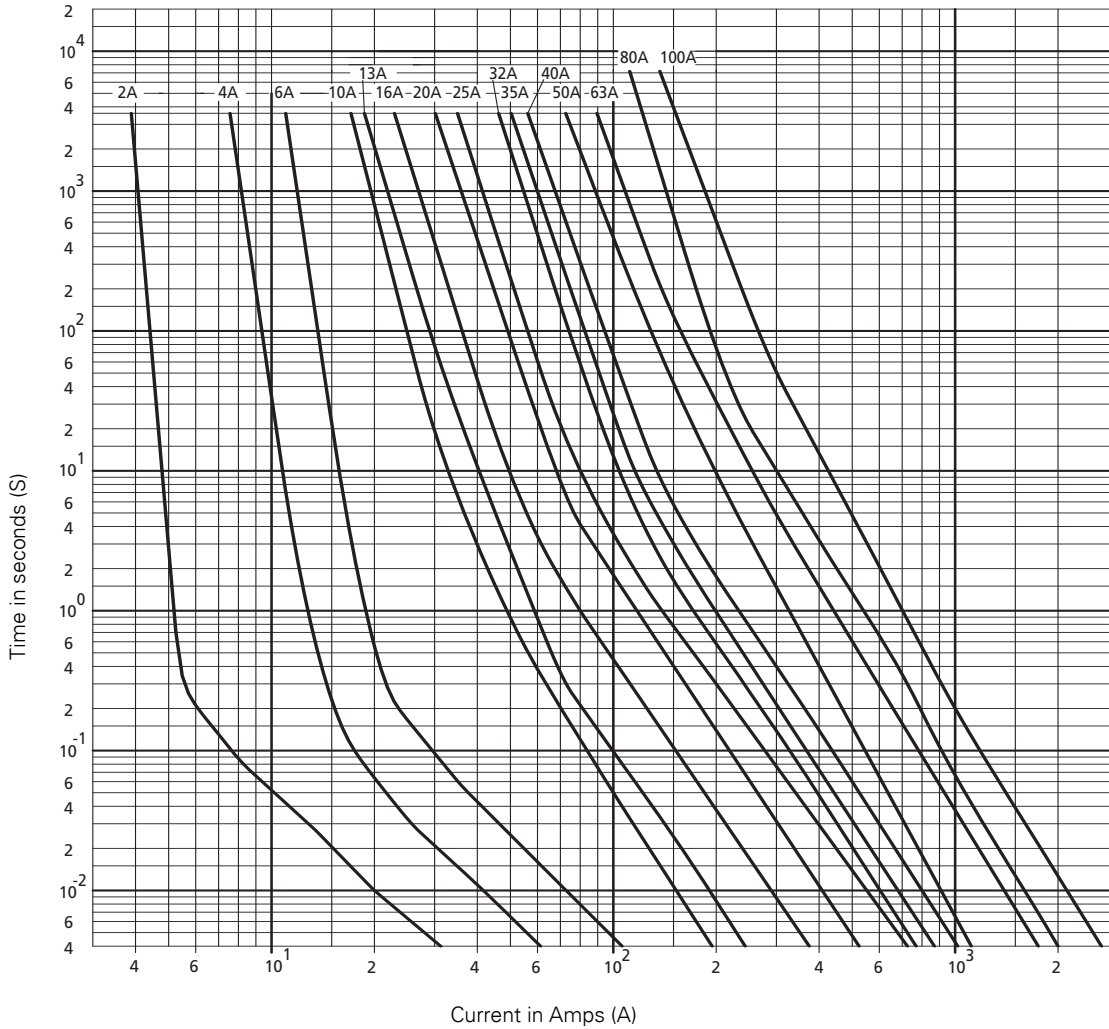
Dimensions - mm



Rated current (Amps)	B
125	5
160	7
200	9

Data sheet: 4124

Time-current curve



1.13

D and D0 Fuse links and accessories

Type D - Time delay / fast acting / ultra rapid fuse links, bases and accessories

Type D - Time delay / fast acting / ultra rapid fuse links, bases and accessories

Product selection

Fuse base

Catalogue number	Current (Amps)	Mounting	Number of poles	To fit fuse base	Rated current (Amps)	Pack qty
TFD27	25	E27 Screw	3	E27	25	4
TFD33	63	E33 Screw	3	E33	63	6
SFRD27	25	DIN-Rail	1	E27	25	15
TFRD27	25	DIN-Rail	3	E27	25	4
SFRD33	63	DIN-Rail	1	E33	63	15
TFRD33	63	DIN-Rail	3	E33	63	6



SFRD



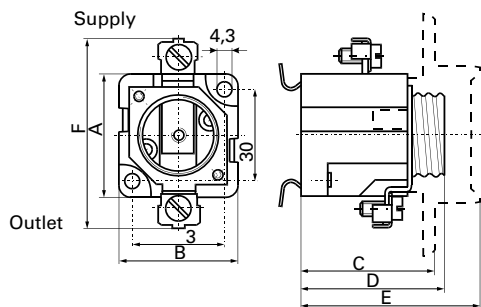
TFD/TFRD

Data sheet: 4124

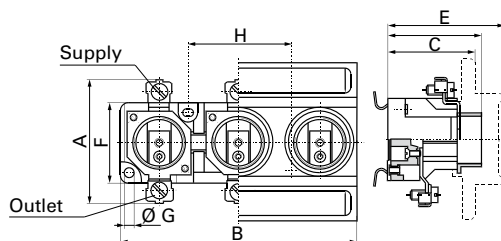
Fuse bases for type D fuse links

Dimensions - mm

SFRD



TFD and TFRD



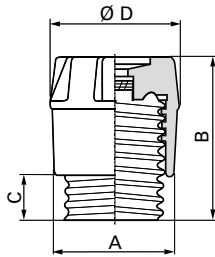
Data sheet: 4124

Fuse carrier and Gauge pieces

Catalogue numbers	Type	Size	Fuse base type	Rated current (Amps)	Pack quantity	To fit fuse links
CD27	Fuse carrier/cap	N/A	E27	25	50	D27
CD33	Fuse carrier/cap	N/A	E33	63	6	D33
2GD27	Gauge piece	DII	E27	2	25	D27
4GD27	Gauge piece	DII	E27	4	25	D27
6GD27	Gauge piece	DII	E27	6	25	D27
10GD27	Gauge piece	DII	E27	10	25	D27
16GD27	Gauge piece	DII	E27	16	25	D27
20GD27	Gauge piece	DII	E27	20	25	D27
25GD27	Gauge piece	DII	E27	25	25	D27
35GD33	Gauge piece	DIII	E33	35	25	D33
50GD33	Gauge piece	DIII	E33	50	25	D33
63GD33	Gauge piece	DIII	E33	63	25	D33

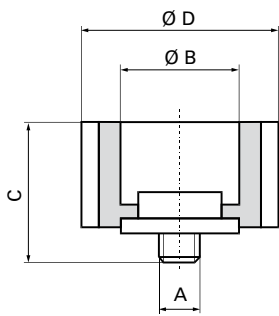
Dimensions - mm

Fuse carrier/cap



Rated current (Amps)	A	B	C	D
CD27	E27	44	12	34
CD33	E33	44	12	43

Gauge piece



Rated current (Amps)	A	B	C	D
2GD27	3/16"	6.5	17	24
4GD27	3/16"	6.5	17	24
6GD27	3/16"	6.5	17	24
10GD27	3/16"	8.5	17	24
16GD27	3/16"	10.5	17	24
20GD27	3/16"	12.5	17	24
25GD27	3/16"	14.5	17	24
35GD33	3/16"	16.5	17	30
50GD33	3/16"	18.5	17	30
63GD33	3/16"	20.5	17	30

Data sheet: 4124

1.13

D and D0 Fuse links and accessories

Type D0 - Time delay / ultra rapid fuse links, bases and accessories

Type D0 - Time delay / ultra rapid fuse links, bases and accessories

Specifications

Description

Class gG DO fuse links for industrial and domestic applications. All these fuse links incorporate a visual indicator of fuse operation.

Standard/agency information

IEC 60269 and VDE 0636

Technical data

Rated voltage: 400 V a.c.
 Rated current: 2 to 100 A
 Breaking capacity: 50 kA at 400 V a.c.
 Operating class: Time delay and ultra rapid

Product selection

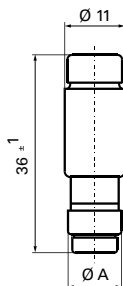
NZ01, 400 V a.c., 2 to 16 A, size D01, time delay and ultra rapid fuse links



Catalogue numbers	Type	Colour	Rated voltage	Rated current (Amps)	Breaking capacity	Pack quantity	Size
2NZ01	Time delay	Pink	400 V a.c.	2	50 kA at 400 V a.c.	10	D01
4NZ01	Time delay	Brown	400 V a.c.	4	50 kA at 400 V a.c.	10	D01
6NZ01	Time delay	Green	400 V a.c.	6	50 kA at 400 V a.c.	10	D01
10NZ01	Time delay	Red	400 V a.c.	10	50 kA at 400 V a.c.	10	D01
16NZ01	Time delay	Grey	400 V a.c.	16	50 kA at 400 V a.c.	10	D01
2NZ01R	Ultra rapid	Pink	400 V a.c.	2	50 kA at 400 V a.c.	10	D01
4NZ01R	Ultra rapid	Brown	400 V a.c.	4	50 kA at 400 V a.c.	10	D01
6NZ01R	Ultra rapid	Green	400 V a.c.	6	50 kA at 400 V a.c.	10	D01
10NZ01R	Ultra rapid	Red	400 V a.c.	10	50 kA at 400 V a.c.	10	D01
16NZ01R	Ultra rapid	Grey	400 V a.c.	16	50 kA at 400 V a.c.	10	D01

Dimensions - mm

D01



Rated current (Amps)	A
2	7.3
4	7.3
6	7.3
10	8.5
16	9.7

NZ02, 400 V a.c., 20 to 63 A, size D02, time delay and ultra rapid fuse links

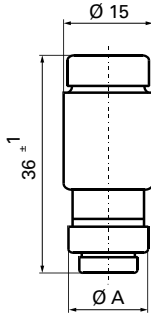


Catalogue numbers	Type	Colour	Rated voltage	Rated current (Amps)	Breaking capacity	Pack quantity	Size
20NZ02	Time delay	Blue	400 V a.c.	20	50 kA at 400 V a.c.	10	D02
25NZ02	Time delay	Yellow	400 V a.c.	25	50 kA at 400 V a.c.	10	D02
35NZ02	Time delay	Black	400 V a.c.	35	50 kA at 400 V a.c.	10	D02
50NZ02	Time delay	White	400 V a.c.	50	50 kA at 400 V a.c.	10	D02
63NZ02	Time delay	Copper	400 V a.c.	63	50 kA at 400 V a.c.	10	D02
20NZ02R	Ultra rapid	Blue	400 V a.c.	20	50 kA at 400 V a.c.	10	D02
25NZ02R	Ultra rapid	Yellow	400 V a.c.	25	50 kA at 400 V a.c.	10	D02
35NZ02R	Ultra rapid	Black	400 V a.c.	35	50 kA at 400 V a.c.	10	D02
50NZ02R	Ultra rapid	White	400 V a.c.	50	50 kA at 400 V a.c.	10	D02
63NZ02R	Ultra rapid	Copper	400 V a.c.	63	50 kA at 400 V a.c.	10	D02

Type D0 - Time delay / ultra rapid fuse links, bases and accessories

NZ02, 20 to 63 A, size D02, time delay and ultra rapid fuse links

D02



Rated current (Amps)	A
20	10.9
25	12.1
35	13.3
50	14.5
63	15.9

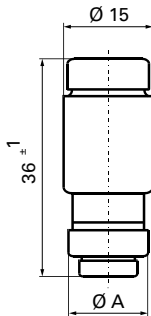


NZ03, 400 V a.c., 80 and 100 A, size D03, time delay fuse links

Catalogue numbers	Type	Colour	Rated voltage	Rated current (Amps)	Breaking capacity	Pack quantity	To fit base
80NZ03	Time delay	Silver	400 V a.c.	80	50 kA at 400 V a.c.	10	D03
100NZ03	Time delay	Red	400 V a.c.	100	50 kA at 400 V a.c.	10	D03

Dimensions - mm

D03



Rated current (Amps)	A
80	21.4
100	21.6

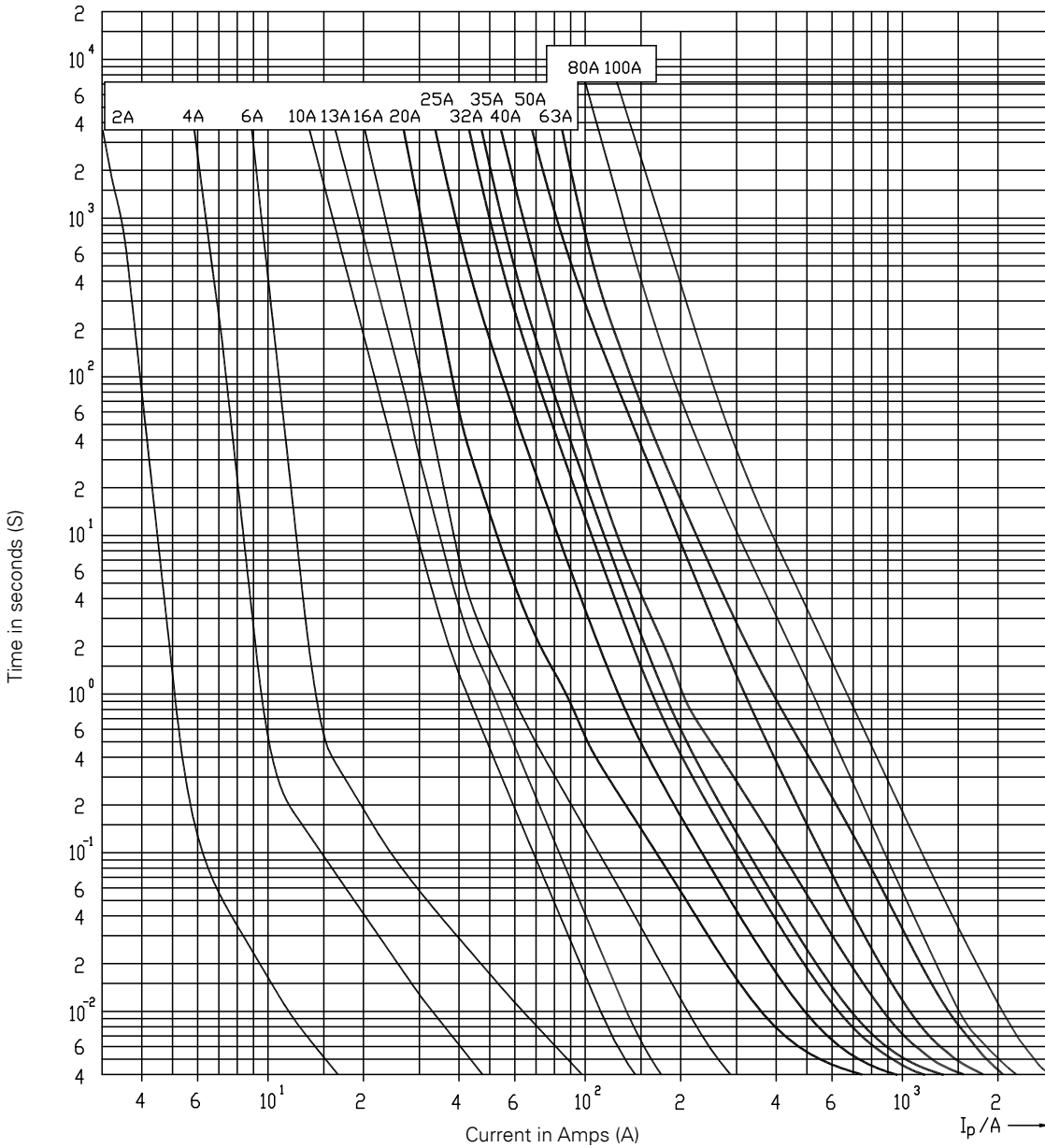
Data sheet: 4124

1.13

D and D0 Fuse links and accessories

Time-current curve

Time-current curve



Type D0 - Time delay / ultra rapid fuse links, bases and accessories

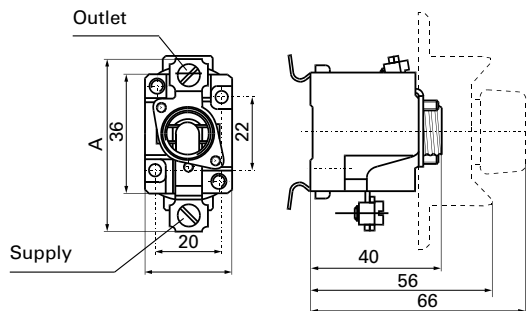
Single pole fuse base for type D0 fuse links



Catalogue number	Current (Amps)	Screw	With protection cover	Without protection cover	DIN-Rail mounting	Screw mounting	Connections		Cross-section of connecting lead (mm ²)	Dim (A) mm	Pack qty
							Outlet	Supply			
FRN01C	16	E14	x		x		M4	M4	1.5-4	53	15
FN01C	16	E14	x			x	M4	M4	1.5-4	53	15
FRN02C	63	E18	x		x		2 x M5	2 x M5	2.5-25	57	15
FN02C	63	E18	x			x	2 x M5	2 x M5	2.5-25	57	15
FRN02C-A	63	E18	x		x		2 x M5	M6	2.5-25	57	15
FRN02C-SA	63	E18	x			x	2 x M5	M6	2.5-25	57	15
FRN01-B	16	E14		x	x		M4	M4	1.5-4	53	15
FRN01-SB	16	E14		x		x	M4	M4	1.5-4	53	15
FRN02-D	63	E18		x	x		2 x M5	2 x M5	2.5-25	57	15
FRN02-SD	63	E18		x		x	2 x M5	2 x M5	2.5-25	57	15
FRN02-E	63	E18		x	x		2 x M5	M6	2.5-25	57	15
FRN02-SE	63	E18		x		x	2 x M5	M6	2.5-25	57	15

Data sheet: 4124

Dimensions - mm



1.13

D and DO Fuse links and accessories

Type DO - Time delay / ultra rapid fuse links, bases and accessories

Type DO - Time delay / ultra rapid fuse links, bases and accessories

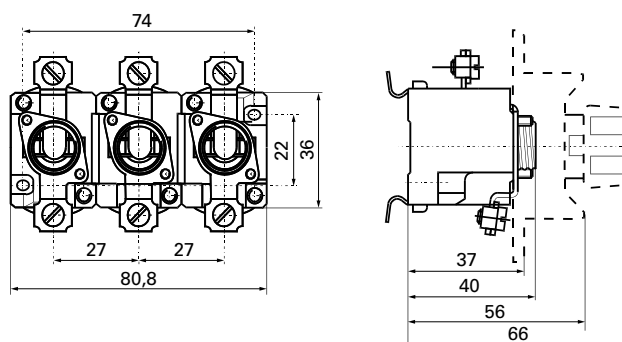
Three pole fuse base for type DO fuse links

Product selection



Catalogue number	Current (Amps)	Screw	With protection cover	Without protection cover	DIN-Rail mounting	Screw mounting	Connections		Cross-section of connecting lead (mm ²)	Dim (A) (mm)	Pack qty
							Outlet	Supply			
TFRN01C	16	E14	x		x		M4	M4	1.5-4	53	5
TFN01C	16	E14	x			x	M4	M4	1.5-4	53	5
TFRN02C	63	E18	x		x		2 x M5	2 x M5	2.5-25	57	5
TFN02C	63	E18	x			x	2 x M5	2 x M5	2.5-25	57	5
TFRN02CA	63	E18	x		x		2 x M5	M6	2.5-25	57	5
TFRN02C-SA	63	E18	x			x	2 x M5	M6	2.5-25	57	5
TFRN01-B	16	E14		x	x		M4	M4	1.5-4	53	5
TFRN01-SB	16	E14		x		x	M4	M4	1.5-4	53	5
TFRN02-D	63	E18		x	x		2 x M5	2 x M5	2.5-25	57	5
TFRN02-SD	63	E18		x		x	2 x M5	2 x M5	2.5-25	57	5
TFRN02-E	63	E18		x	x		2 x M5	M6	2.5-25	57	5
TFRN02-SE	63	E18		x		x	2 x M5	M6	2.5-25	57	5

Dimensions - mm



Data sheet: 4124

Type D0 - Time delay / ultra rapid fuse links, bases and accessories

Product selection

Fuse accessories for type D0 fuse links

Catalogue numbers	Type	Fuse base type	Pack quantity	To fit fuse links
CN01	Fuse carrier/cap	E14	20	D01
CN02	Fuse carrier/cap	E18	20	D02
CN03	Fuse carrier/cap	N/A	20	D03
2GN01	Gauge piece	E14	50	D01
4GN01	Gauge piece	E14	50	D01
6GN01	Gauge piece	E14	50	D01
10GN01	Gauge piece	E14	50	D01
2GN02*	Gauge piece	E18	50	D02
4GN02*	Gauge piece	E18	50	D02
6GN02*	Gauge piece	E18	50	D02
10GN02*	Gauge piece	E18	50	D02
16GN02*	Gauge piece	E18	50	D02
20GN02	Gauge piece	E18	50	D02
25GN02	Gauge piece	E18	50	D02
35GN02	Gauge piece	E18	50	D02
50GN02	Gauge piece	E18	50	D02
DO-GPK	Gauge key piece	N/A	20	N/A
DO-SFH	Special holder	N/A	25	N/A



Fuse carrier/cap



Gauge piece key



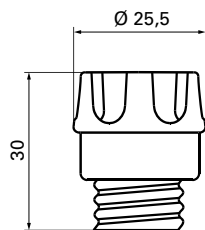
Gauge piece



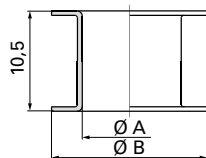
Special holder

* For using fuse links D01 and fuse bases D02

Dimensions - mm



Fuse carrier/cap



Gauge piece

Catalogue numbers	A	B
2GN01	7.9	12
4GN01	7.9	12
6GN01	7.9	12
10GN01	9.1	12
2GN02	7.9	16.6
4GN02	7.9	16.6
6GN02	7.9	16.6
10GN02	9.1	16.6
16GN02	10.3	16.6
20GN02	11.5	16.6
25GN02	12.7	16.6
35GN02	13.9	16.6
50GN02	15.1	16.6

Data sheet: 4124

1.14

Cross reference

Low voltage BS88 Fuses

Bussmann series	SSD	NSD	ESD	SMD	STD	NITD	AAO	BAO	CEO	OSD
Lawson	SS	NS	ES	MD	LST	NIT	TIA	TIS	TCP	TIS
MEM	SS	SN2	SP	-	LS	SA2	SB3	SB4	SD5	SO
Mersen		BNS42V/ BSS55V	BES42V/ BES55V			BNIT42V/ BNIT55V	BTIA42V	BTIS42V	BTCP42V	



General industrial fuse links

BS88 size reference	E1	F1	F2			A1	A2	A3	A4	
IEC Utilisation class	gG	gG	gG	gG	gG	gG	gG	gG	gG	gG
Rated voltage (V a.c.)	240	550	550	415	240	550	550	500	500	500
Rated current (Amps)	2	2	2	2	2	2	2	40	32	80
	4	4	4	4	4	4	4	50	40	100
	6	6	6	6	6	6	6	63	50	
	10	10	10	10	10	10	10		63	
	16	16	16	16	16	16	16		80	
	20	20	20	20	20	20	20		100	
	25	25	25	25	25	25	25			
	32	32	32	32	32	32	32			
			40							
			50							
			63							

Motor fuses

IEC Utilisation category	gM	gM			gM	gM	gM	gM	gM
Rated voltage (V a.c.)	415	415			415	500	500	415	415
Extended motor range	20M25	63M80			20M25	32M40	63M80	100M125	100M125
	20M32	63M100			20M32	32M50	63M100	100M160	100M160
	20M36				32M40	32M63		100M200	
	32M36				32M50				
	32M40				32M63				
	32M50								
	32M63								

Dimensions (mm)

Overall length	47	58.5	68	29	47	55	85	87	110	95
Fixing centres	N/A	N/A	N/A	N/A	35	44	73	73	94	73
Maximum diameter	12	17.5	21	12.7	13	17.5	21	21	31	26
Tag configuration	Solid blade	Solid blade	Solid blade	Ferrule	Offset	Offset	Offset	Offset	Offset	Offset
Number of holes fixings	0	0	0	0	2	2	2	2	2	2
Camaster/Safeloc fuse holder		32NNS	63ENS			CM32FC	CM32F	CM63F		CM100F
Red Spot/Safeclip fuse holder	SC20	SC32	SC63			RS20H	RS32	RS63	RS100	

Approvals

BS88	•	•	•	•	•	•	•	•	•	•
IEC60269	•	•	•	•	•	•	•	•	•	•
ASTA	•	•	•	•	•	•	•	•	•	•

DEO	AC/BC	AD/BD*	CD	DD	ED	EF5	EF	FF	FG	GG	GF	GH
TFP	TB	TBC	TC	TF	TKF/TMF	TKM	TM	TTM	TT	TLT	TLM	TLU
SD6	SE3/SE4	SF3/SF4	SF5	SF6	SF7	SG7	SH8	SH9	SY9	SY10	SH10	-
BTFP42V		BTBC42V	BTC42V	BTF42V	BTKF42V/ BTMF69V		BTKM42V	BTKM42V	BTTM42V		BTLM42V	



			B1	B2	B3/B4			C1	C2			C3	D1
gG	gG	gG	gG	gG	gG	gG	gG	gG	gG	gG	gG	gG	gG
415	500/550	500/550	500	415	415	415	415	415	690	550	550	550	550
125	2	2	80	125	250	125	355	450	450	710	710	710	710
160	4	4	100	160	315	160	400	500	500	800	800	800	800
200	6	6		200	355	200		560	560	1000		1000	1000
	10	10			400	250		630	630	1250		1250	1250
	16	16				315							
	20*	20											
	25*	25*											
	32*	32*											
	40*	40*											
	50*	50*											
	63*	63*											

gM	gM	gM			gM
415	500	415	415	415	550
200M315	63M80	100M125	200M250	315M400	400M500
	63M100	100M160	200M315	400M500	
		100M200			

110	113.5	128.5	126	136	136	158	210	210	262	262	210	198
94	97.5	111	111	111	111	133/184	133/184	133/184	167/231	165/231	134/185	149
31	21	21	31	47	59	31	59	74	74	83	83	100
Offset	Centre	Centre	Centre	Centre	Centre	Centre	Centre	Centre	Centre	Centre	Centre	Centre
2	2	2	2	2	2	4	4	4	4	4	4	4

RS400 RS400

•	•	•	•	•	•	•	•	•	•	•	•	•
•	•	•	•	•	•	•	•	•	•	•	•	•
•	•	•	•	•	•	•	•	•	•	•	•	•

* Rated voltage 500 V a.c.

1.15 Application information

The Eaton's Bussmann series standard range of high breaking capacity fuse links, for low voltage industrial and general purpose applications, meet the requirements of BS88 and IEC 60269. By using advanced fuse technology the current ratings up to 400 A have compact dimensions but are still within the standardised dimensional and performance requirements. These designs have been optimised for 415/240 V systems. The standard range of fuse links are available from 2-1250 A in the following tag forms: offset bladed - offset bolted and centre bolted. IEC 60269, DIN 43620 fuse links are available from 2 to 1250 A in standard sizes 000 to 4a.

Supplementary ranges cover applications up to 690 V a.c. and 500 V d.c. including those with non-standard tag fixings.

Eaton's Bussmann series fuse links are manufactured under Quality Systems independently assessed to ISO 9001 and appropriate ratings carry the ASTA 20 endorsement.

Application data

One of the long standing advantages of fuse protection is that fuse selection is relatively simple and effective.

The following notes cover the majority of applications. For further information contact Eaton's Bussmann business technical department 00 44 (0) 1509 882 699 or buletechnical@eaton.com.

Reference should also be made to the appropriate Wiring Installations rules, in the UK the 17th Edition of the IEE Wiring Regulations for Electrical installations which aligns with IEC 60634.

Circuit loading

The current rating of the fuse link should not be less than the full load current of the circuit. The circuit should be so designed that small overloads of long duration will not be of frequent occurrence.

Cable ratings

There is an increasing move away from 70°C P.V.C. insulation to materials which are more environmentally friendly, for example 90°C XLPE. The ratings of fuse gear, switches, accessories etc, are generally based upon the equipment being connected to conductors intended to be operated at a temperature not exceeding 70°C in normal service.

In view of the above it is recommended that the practice of designs based upon conductor temperatures of 70°C be regarded as the norm. In accordance with the Wiring Regulations the equipment manufacturer should be consulted to ascertain the reduction of nominal current rating of the equipment if conductor temperatures exceeding 70°C are used. In addition overriding factor is often voltage drop consideration.

Cable protection

Eaton's Bussmann series fuse links with gG characteristics protect associated cables against both overload and short circuit current, provided that the current rating of the fuse link I_N is equal or less than the current carrying capacity of the cable I_z .

In motor circuits, the motor starter will provide the overload protection and the fuse links will provide the short circuit protection. The maximum size of fuse link that can be used depends upon the type of cable used and is determined in accordance with the Wiring Regulations using the appropriate K factor. The following table gives maximum sizes of fuse links that are recommended for two popular cables with copper conductors 70°C P.V.C. (K=115) and 90°C thermosetting (K = 143).

Ambient temperature

A de-rating in terms of current of 0.5% per 1°C above an ambient of 35°C is recommended.

Breaking capacity

For BS88 fuse links the standardised values of breaking capacity are 80 kA for voltages of 415 V a.c. and above, and 40 kA for d.c. applications. For IEC 60269 (DIN 43620) fuse links the breaking capacity is typically 120 kA for voltages of 500-690 V a.c.

Discrimination

All fuse links will give discrimination ratio of 2:1 and for more practical situations a ratio of 1.6:1 (two steps in the R10 series). Example an upstream fuse link rated at 160 A will discriminate with a downstream fuse rated at 100 A.

Current and energy limitation

Eaton's Bussmann series range of fuse links have pre-arcing I^2t values towards the bottom limits of the standards. This ensures excellent current and energy limitation. They also have lower power losses at rated current. This assists in the appropriate interchangeability with other makes of fuse links.

Transformers

When fuse links are used on the primary side of transformers the normal current rating of the fuse links should be at least twice the nominal transformer primary current. The inrush current can be estimated at 12 x Full Load Current (FLC) for purposes of fuse link selection.

Fluorescent lighting

The normal current rating of the fuse link should be at least twice the normal full load current of the maximum number of lights to be switched simultaneously.

Capacitor circuits

In capacitor circuits, for example power factor correction, the fuse link should be chosen with a current rating typically twice the rated capacitor current. This takes in account of the high transient inrush current, circuit harmonics and capacitor tolerances.

Cable size mm ²	Max fuse rating		Cable size mm ²	Max fuse rating	
	K = 115 A	K = 143 A		K = 115 A	K = 143 A
1	16	16	25	200*	250*
1.5	20	25	35	315*	355*
2.5	32*	32*	50	400*	500
4	50*	50*	70	560	630
6	63*	63*	95	710	800
10	100*	125*	120	800	1000
16	125*	160*			

Zs ohms impedance values

The rules for protection against indirect contacts are given in the Wiring Regulations.

Recommendation is based on ambient temperature at 25°C. At higher temperatures some fuse links may have to be de-rated. Ensure the voltage rating of the fuse is suitable for the application. If in doubt contact Eaton's Bussmann business technical department: buletechnical@eaton.com or 00 44 (0) 1509 882 699.

BS88 fuse links		NH fuse links (all sizes)		Cylindrical fuse links (8 x 31, 10x38, 14x51, 22x58 mm)		
Rated current (Amps)	Zs (Ohms)	Rated current (Amps)	Zs (Ohms)	Rated current (Amps)	gG type Zs (Ohms)	aM type Zs (Ohms)
2	60	40	1.6	2	26	15
4	26.6	63	0.96	4	12.9	7.5
6	14	80	0.8	6	8.57	5
10	7.7	100	0.57	8	6.81	3.75
16	4.3	125	0.46	10	5.16	3
20	3	160	0.29	12	4.34	2.5
25	2.4	200	0.24	16	3.69	1.87
32	1.9	224	0.22	20	2.82	1.5
35	1.7	250	0.21	25	2.18	1.2
40	1.4	315	0.15	32	1.6	0.93
50	1.1	355	0.13	40	1.26	0.75
63	0.86	400	0.91	50	0.96	0.6
80	0.6	500	0.08	63	0.75	0.47
100	0.44	630	0.07	80	0.56	0.37
125	0.35			100	0.41	0.3
160	0.27			125	0.34	0.24
200	0.2					
250	0.16					
315	0.13					
355	0.14					
400	0.09					
450	0.08					
500	0.07					
630	0.05					
800	0.04					
1000	0.038					
1250	0.026					

For a TN system, a disconnecting time not exceeding 5 seconds is permitted for a distribution circuit.

For DIN fuse links (NH) to DIN 43620 with gG/gL characteristics at 230-240 V a.c.

For a TN system, a disconnecting time not exceeding 5 seconds is permitted for a distribution circuit.

Values refer to an installation with 230-240 V a.c. to earth.

For a TN system, a disconnecting time not exceeding 5 seconds is permitted for a distribution circuit. The maximum values of earth fault loop impedance (Zs) corresponding to a disconnecting time of 5 seconds for a nominal voltage to earth (Uo) of 230-240 V a.c. for Eaton's Bussmann series gG fuse links to BS88: Parts 2 and 6.

1.15 Application information

Motor circuits

In motor circuits the fuse link has to withstand the starting current of the motor and often requires a higher rating than the full load current of the motor.

Coordination recommendations are made by the manufacturers of motor starters in accordance to IEC 60947-4-1. To give the desirable type 2 coordination with fuse links, tests are performed with the latest gG, gM and aM fuse links, to BS88 or IEC 60269 which have pre-arcing I^2t values towards the bottom specified limits. This means that Eaton's Busmann series fuse links are suitable to give type 2 coordination.

Extended dual ratings of motor circuit protection fuse links with gM characteristics are available in most popular sizes of fuse links to extend the use of associated equipment with appropriate economies. In the majority of applications, gG fuse links are used. It is not essential for gM and aM fuse links to be used in motor circuit protection, they simply extend the utilisation of standard equipment.

The table below shows the recommended fuse links at 415 V. In most applications the run-up time is less than five seconds and duty is infrequent - no more than twice per hour. The next larger rating should be used for more arduous conditions.

Motor full load current look up table

Motor rating		Rated voltage (V a.c.)		
		220	415	660
kW	HP	Amps	Amps	Amps
0.37	0.5	2	1.05	0.7
0.55	0.75	2.7	1.5	0.9
0.75	1	3.9	2	1.3
1.1	1.5	4.7	2.5	1.6
1.5	2	6.5	3.5	2.2
2.2	3	9.3	5	3.2
3	4	12	6.5	4.1
4	5.5	15.4	8.4	5.3
5.5	7.5	20.7	11	6.9
7.5	10	28	14.4	9.3
11	15	39.1	21	13.2
15	20	52.8	28	17.6
18.5	25	66	35	22
22	30	77	41	26
30	40	103	55	35
37	50	128	69	43.3
45	60	151	80	50
55	75	185	98	62
75	100	257	136	85
90	120	308	164	102
110	150	370	196	123
132	175	426	226	142
150	200	500	268	168
160	215	-	275	173
200	270	-	358	225
240	320	-	428	269
280	375	-	488	307
300	400	-	525	330
320	425	-	538	338

Motor fuse link selection table

Motor rating		Direct on-line					Assisted Start (Star/Delta) BS88/NH
		BS88 gG	NH gG	BS88 Motor	NH aM*		
kW	Amps	Amps	Amps	Amps	Amps		
0.25	0.8	4	4	-		2	
0.37	1.1	4	4	-		2	
0.55	1.5	6	6	-		4	
0.75	2	6	6	-		4	
1.1	3	10	10	-	6	6	
1.5	3.6	16	16	-	6	10	
2.2	5	16	16	-	6	10	
3	6.5	20	20	-	10	16	
4	8.4	20	20	-	16	16	
5.5	11	25	25	20M25	20	20	
7.5	15	40	40	32M40	32	25	
11	20	50	50	32M50	32	32	
15	27	63	63	32M63	40	40	
18.5	33	80	80	63M80	63	50	
22	38	80	80	63M80	63	50	
30	54	100	100	63M100	80	80	
37	66	125	125	100M125	100	80	
45	79	160	160	100M160	100	100	
55	98	160	160	100M160	200	100	
75	135	250	250	200M250	200	160	
90	155	250	250	200M250	250	160	
110	185	315	315	200M315	315	200	
132	220	355	355	315M400	315	250	
150	250	355	355	315M400	400	315	
185	310	450	450	400M500	400	355	
200	335	500	500	400M500	500	400	
225	375	560	560	-	-	400	
250	415	560	560	-	-	450	
280	460	630	630	-	-	500	
335	562	710	710	-	-	630	
355	596	800	800	-	-	710	

* No overload protection with these fuse links, and overload

Catalogue number	Page number
170H0236	184
170H0238	184
32BS	81
32BSC	81
32CML	81
32CMLC	81
32LSC	81
32LSCC	81
32NNS	84
63-100BS	81
63-100CML	81
63-100LSC	81
63ENS	84
82AL	133
92AL	133
AAO	7
AC	10
AD	11
BAO	7
BC	11
BD	12
BVL50	184
C10G	136
C10M	140
C14G	137
C14M	141
C1515	110
C1520	110
C22G	137
C22M	142
C3030	110
C4545	110
C55	110
CD	12
CD22	213
CD27	213
CEO	8
CH14	146
CH14-CTP	146
CH14-SPS	146
CH14-TPS	146

Catalogue number	Page number
CH22	148
CH22-CTP	148
CH22-SPS	148
CH22-TPS	148
CHCC	145
CHM	145
CHPV	145
CM100	81
CM20	81
CM32	81
CM63	81
CN	219
D0-GPK	219
D0-SFH	219
D125	209
D16	207
D200	210
D27	208
D33	209
DD	13
DEO	9
DIN-20-32	88
EBF	188
EBH00	199
EBH000	196
EBH1	199
EBH2	199
EBH3	199
EBH4	199
EBV	191
ED	13
EF	14
EFS	14
ESC-LINK	88
ESD	20
FEH	183
FF	15
FG	16
FN	217
FRN	217
GD27	213

Catalogue number	Page number
GD33	213
GF	15
GG	16
GH	17
GN	219
H07	41
HS07	37
JVL	146 and 148
KR85	112
KS07	37
KS08	38
LR85	112
M13	43
MJ25-6	117
MJ29-6	118
MJ30-7	118
MJ30-8	118
MJ31-7	119
MJ31-8	119
N15	43
N20	44
NHFF-400	150
NHGxB(I)	159
NHGxB-400	154
NHGxB-690	169
NHGxBWP	167
NHMxB-690	173
NIT	47
NITD	6
NSC-LINK	88
NSD	19
NZ01	214
NZ02	214
NZ03	215
OSC-LINK	88
OSD	8
P20	45
P5372-10	96
PJ31-7	121
R20	45
RJ31-7	121

1.16

Index

Catalogue number	Page number
RS100	95
RS100LOCK	96
RS100RED	96
RS20	95
RS200	96
RS20LOCK	96
RS20RED	96
RS32	95
RS32LOCK	96
RS32RED	96
RS400	96
RS63	95
RS63LOCK	96
RS63RD	96
S20	46
SC100H	87
SC125D-D	87
SC20	87
SC32	87
SC32LOCK	88
SC63	87
SC63LOCK	88
SCA63CAR	88
SDL	183
SD-PB	184
SDx-D	182
SDx-S	182
SDx-SK	183
SFRD	212
SJ28	122
SJ31-6	122
SMD	106
SSC-LINK	88
SSD	18
STD	107
TB	53
TBC	54
TC	54
TCA2	96
TCP	50
TDx-D	182

Catalogue number	Page number
TDx-IP20	184
TF	56
TFD	212
TFN	218
TFP	51
TFRD	212
TFRN	218
TIA	48
TIS	48
TKF	57
TKM	58
TLM	60
TLU	61
TM	59
TMF	58
TMT	59
TT	61
TTM	60
TXU	62
XS	19

Contact details

Customer Satisfaction team

Eaton's Customer Satisfaction team is available to answer questions regarding Bussmann series products.

Calls can be made between:

Monday - Friday 7.30 a.m. - 5.00 p.m. GMT

The Customer Satisfaction team can be reached via:

Phone: 00 44 (0) 1509 882 600

Fax: 00 44 (0) 1509 882 786

Email: GBBURsales@eaton.com

www.my.eaton.com

Tailored just for you. Powerful online tools and resources get you the up-to-date information you need to work smarter, make informed decisions and streamline your transactions with Eaton.

Get started today at www.my.eaton.com by clicking 'Request User ID and Password'.

- Easy to Navigate
- Simple to Use
- Real-Time Data.

Online resources

Visit www.eaton.com for the following resources:

- Product cross reference
- Product profiles
- Online catalogues for the latest United States and European catalogues.

Application engineering

Application Engineering assistance is available to all customers. The Application Engineering team is staffed by university-qualified electrical engineers who are available with technical and application support.

Calls can be made between:

Monday - Thursday 8.30 a.m. - 4.30 p.m. GMT

Friday 8.30 a.m. - 4.00 p.m. GMT

Application Engineering can be reached via:

Phone: 00 44 (0) 1509 882 699

Fax: 00 44 (0) 1509 882 794

General technical enquiries:

buletechnical@eaton.com

At Eaton, we're energized by the challenge of powering a world that demands more. With over 100 years experience in electrical power management, we have the expertise to see beyond today. From groundbreaking products to turnkey design and engineering services, critical industries around the globe count on Eaton.

We power businesses with reliable, efficient and safe electrical power management solutions. Combined with our personal service, support and bold thinking, we are answering tomorrow's needs today. Follow the charge with Eaton.

Visit eaton.com/electrical.

Contact your local Eaton office

Eaton Electrical Products Limited
Unit 1, Hawker Business Park
Melton Road
Burton-on-the-Wolds
LE12 5TH
Leicestershire
United Kingdom
GBBURSsales@eaton.com
www.eaton.com



Eaton
EMEA Headquarters
Route de la Longeraie 7
1110 Morges, Switzerland
Eaton.com

© 2015 Eaton
All Rights Reserved
Printed in the United Kingdom
Publication No. CA134002EN
November 2023

Changes to the products, to the information contained in this document, and to prices are reserved, so are errors and omissions. Only order confirmations and technical documentation by Eaton is binding. Photos and pictures also do not warrant a specific layout or functionality. Their use in whatever form is subject to prior approval by Eaton. The same applies to Trademarks (especially Eaton, Moeller, and Cutler-Hammer). The Terms and Conditions of Eaton apply, as referenced on Eaton Internet pages and Eaton order confirmations.

Eaton is a registered trademark.

All other trademarks are property of their respective owners.

Follow us on social media to get the latest product and support information.

