

Red Spot centre bolted tags fuse links



Product description

Eaton's Bussmann® series Red Spot centre tagged BS fuse links (in sizes B1 to B4 and C1 to C3 and D1) are specifically designed for the protection of general industrial applications, e.g. power distribution, cable protection, motor protection.

Features

- Good peak and let-through current limitation
- 1:1.6 Selective coordinate ratio between 'downstream' and 'upstream' fuse
- gM type offer enhanced motor starting capability
- Power loss values well within the limits of IEC 60269-2

Catalogue symbol:

- TB(amp)
- TBC(amp)
- TC(amp)
- TF(amp)
- TKF(amp)
- TKM(amp)
- TMF(amp)
- TM(amp)
- TMT(amp)
- TTM(amp)
- TLM(amp)
- TT(amp)
- TLU(amp)
- TXU(amp)

Standard/Agency information:

- BS88-2
- IEC 60269-2

Breaking range and utilisation category:

- gG
- gM

Technical data:

- Breaking capacity: AC: ASTA 20 certified to 80 kA, generally at 660 Volts a.c. to BS88-2 1988 (IEC 60269-2)
- Minimum interrupting rating: $1.6 \times I_n$

Packaging:

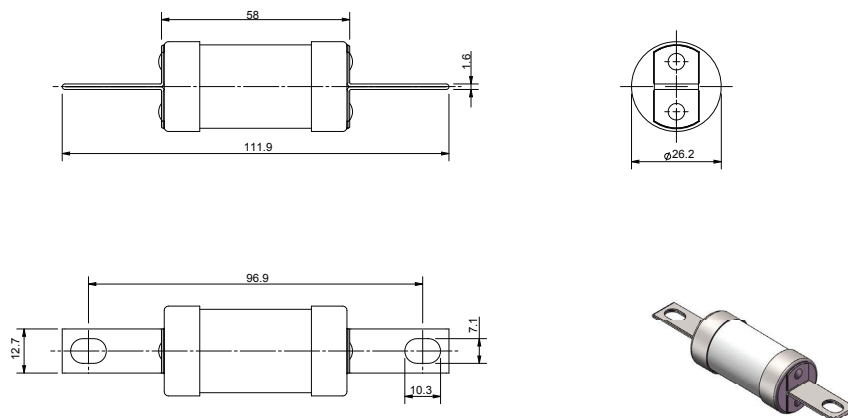
- TB and TBC: 20
- TC and TF: 10
- TKF: 5
- TKM, TMF, TM, TMT, TTM, TLM, TT, TLU and TXU: 1

Red Spot centre bolted tags fuse links

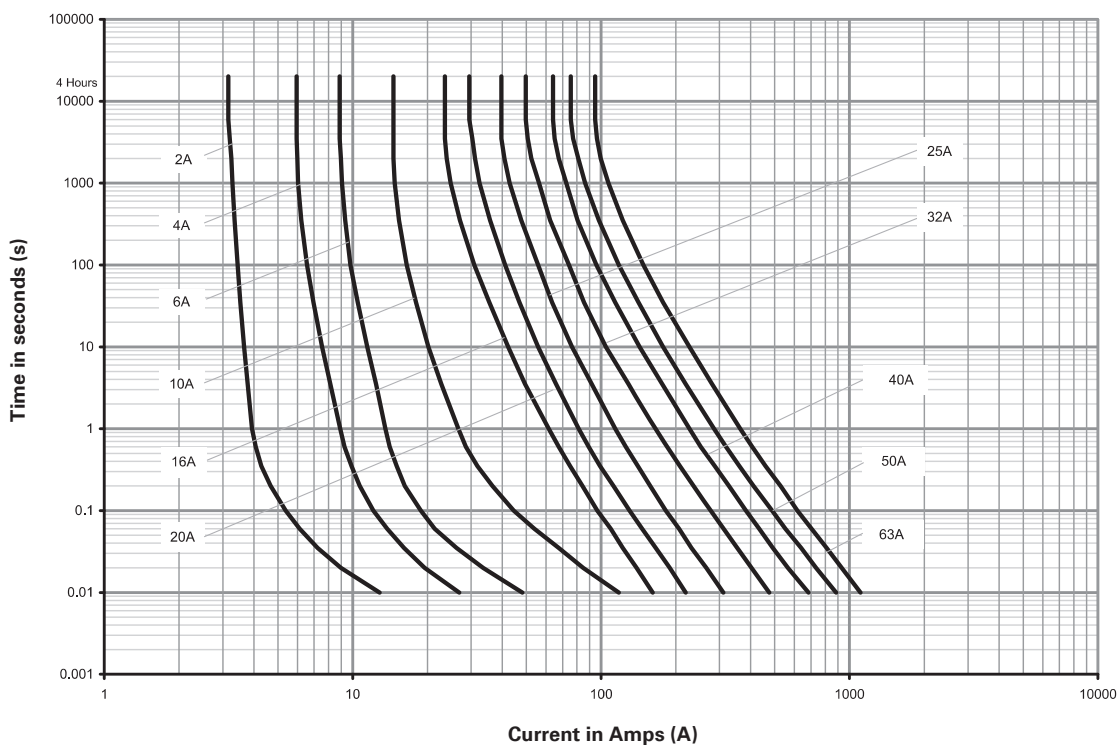
TB

Catalogue numbers	Rated voltage	Rated current (Amps)	Breaking capacity	Operating class	I ² t (A ² s)		Fixing centre (mm)	Pack quantity	Alternative fuse links	Compatible fuse holders
					Pre-arcing	Total at rated voltage				
TB2	660 V a.c. / 460 V d.c.	2	80 kA	gG	2	15	97	20	AC at 550 V a.c.	N/A
TB4		4	80 kA	gG	7	50				
TB6		6	80 kA	gG	22	150				
TB10		10	80 kA	gG	170	1000				
TB16		16	80 kA	gG	150	1100				
TB20		20	80 kA	gG	300	1670				
TB25		25	80 kA	gG	500	3400				
TB32		32	80 kA	gG	1080	5900				
TB40		40	80 kA	gG	1920	8380	97	20	BC at 550 V a.c.	N/A
TB50		50	80 kA	gG	3410	13,260				
TB63		63	80 kA	gG	6500	25,000				

Dimensions - mm



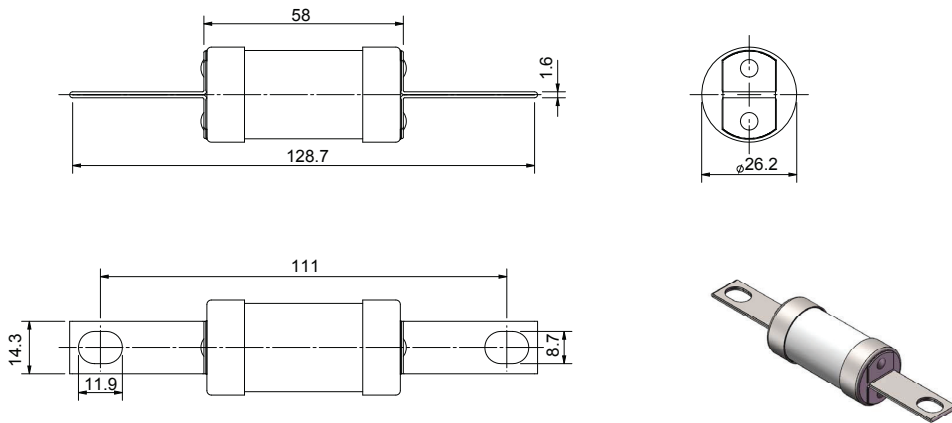
Time current curve



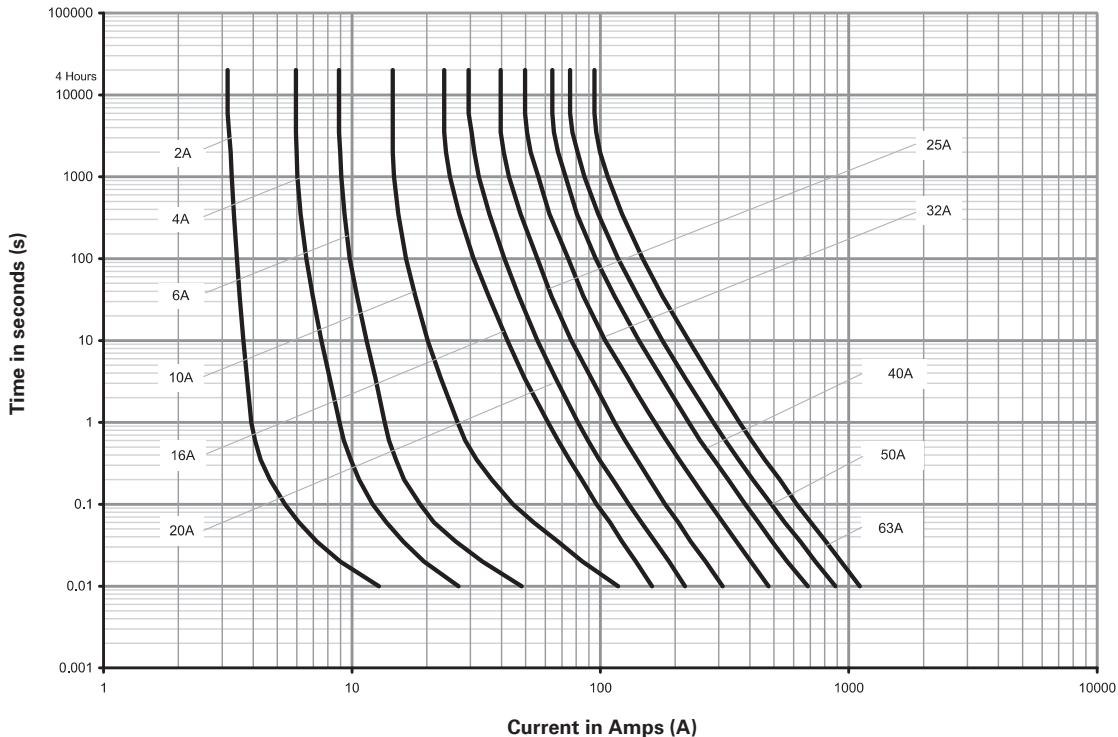
TBC

Catalogue numbers	Rated voltage	Rated current (Amps)	Breaking capacity	Operating class	I ² t (A ² s)		Fixing centre (mm)	Pack quantity	Alternative fuse links	Compatible fuse holders
					Pre-arcing	Total at rated voltage				
TBC2	660 V a.c./ 460 V d.c.	2	80 kA	gG	2	15	111	20	AD at 550 V a.c.	RS200
TBC4		4	80 kA	gG	7	50				
TBC6		6	80 kA	gG	22	150				
TBC10		10	80 kA	gG	170	1000				
TBC16		16	80 kA	gG	150	1100				
TBC20		20	80 kA	gG	300	1670				
TBC25		25	80 kA	gG	500	3400				
TBC32		32	80 kA	gG	1080	5900				
TBC40		40	80 kA	gG	1920	8380	111	20	BD at 550 V a.c.	RS200
TBC50		50	80 kA	gG	3410	13,260				
TBC63		63	80 kA	gG	6500	25,000				

Dimensions - mm



Time current curve

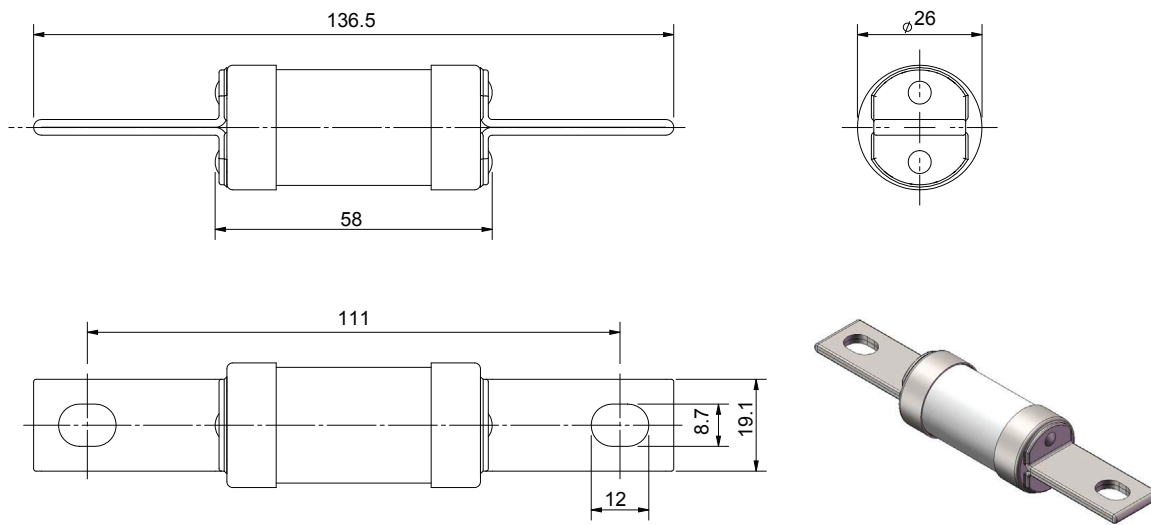


Red Spot centre bolted tags fuse links

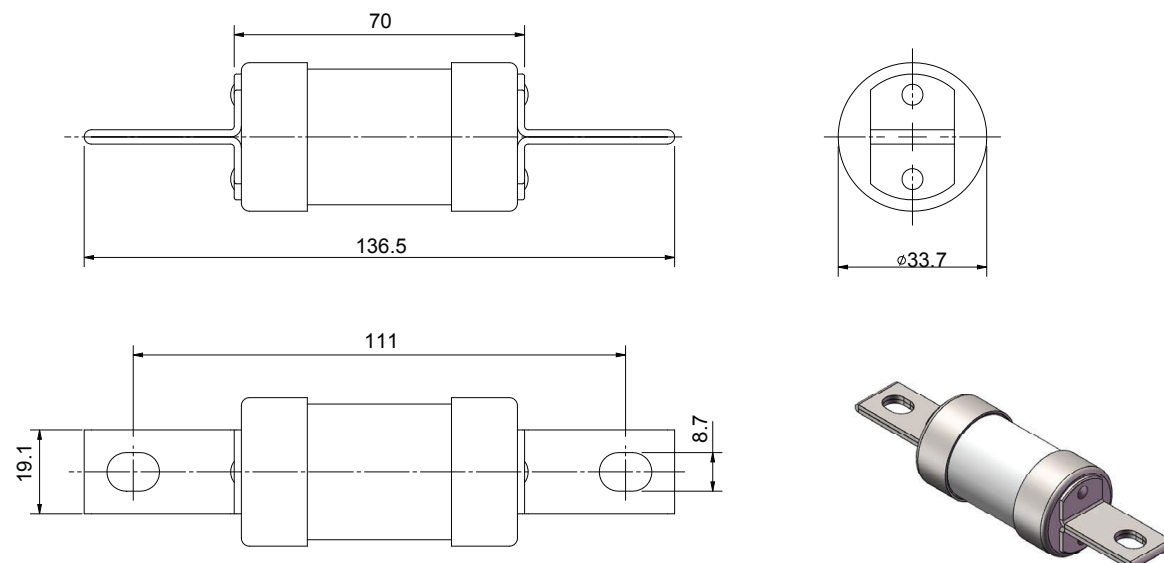
TC

Catalogue numbers	Rated voltage	Rated current (Amps)	BS reference	Breaking capacity	Operating class	I ² t (A ² s) x 10 ³		Fixing centre (mm)	Pack quantity	Alternative fuse links	Compatible fuse holders
						Pre-arcing	Total at rated voltage				
TC80	660-690 V a.c./ 350 V d.c.	80	B1	80 kA	gG	14	66	111	10	L09-660	RS200
TC100		100		80 kA	gG	17	100				
TC100M125		100M125		80 kA	gM	25	140				
TC100M160		100M160		80 kA	gM	62	270				
TC100M200		100M200		80 kA	gM	105	430				

Dimensions - mm



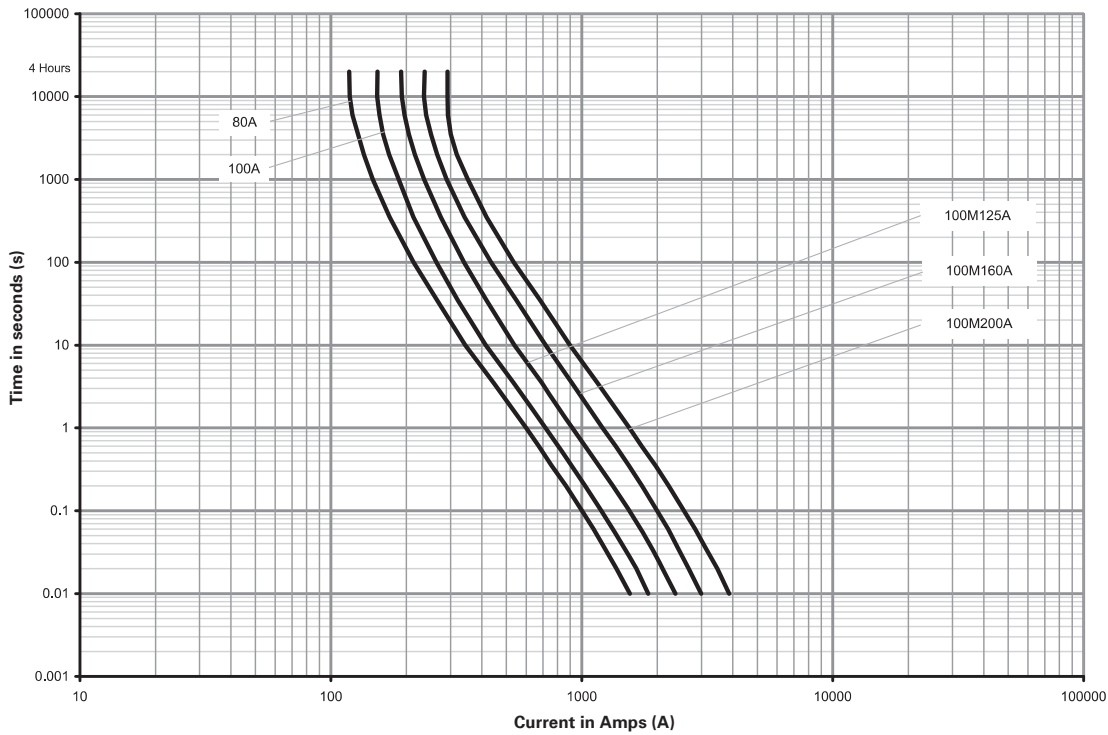
TC80 and TC100



TC100M125 to TC100M200

TC

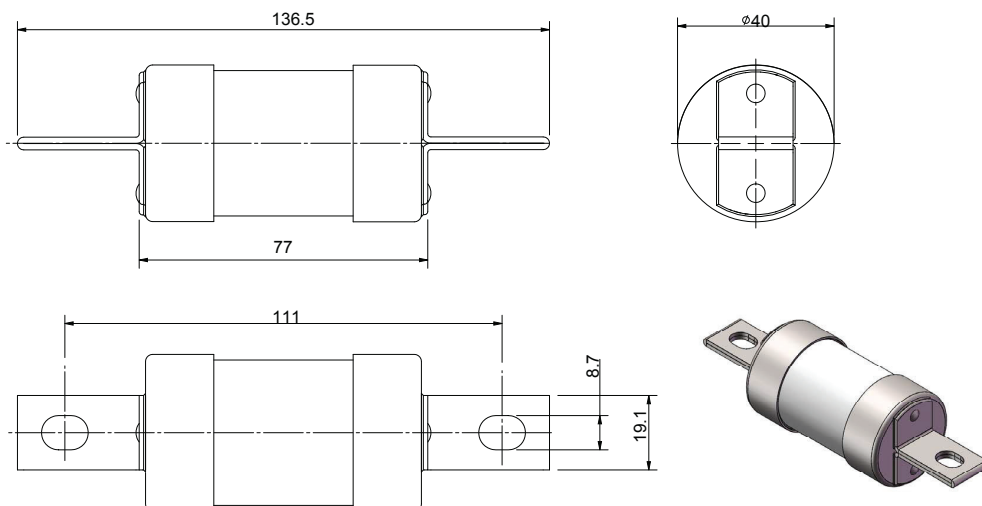
Time current curve



TF

Catalogue numbers	Rated voltage	Rated current (Amps)	BS reference	Breaking capacity	Operating class	I ² t (A ² s) x 10 ³		Fixing centre (mm)	Pack quantity	Alternative fuse links	Compatible fuse holders
						Pre-arcing	Total at rated voltage				
TF125	660-690 V a.c./350 V d.c.	125	B2	80 kA	gG	25	140	111	10	M09-660	RS200
TF160		160		80 kA	gG	62	270			DD at 415 V a.c.	
TF200		200		80 kA	gG	105	430				
TF200M250	660-690 V a.c./460 V d.c.	200M250		80 kA	gM	200	870				
TF200M315	550 V a.c.	200M315		80 kA	gM	300	1050				

Dimensions - mm

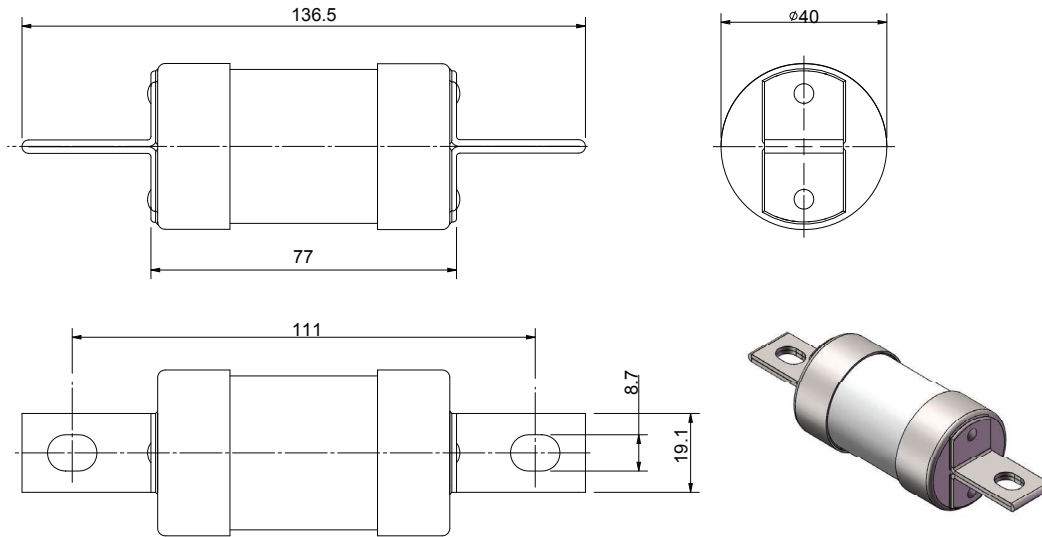


TF125 to TF200

Red Spot centre bolted tags fuse links

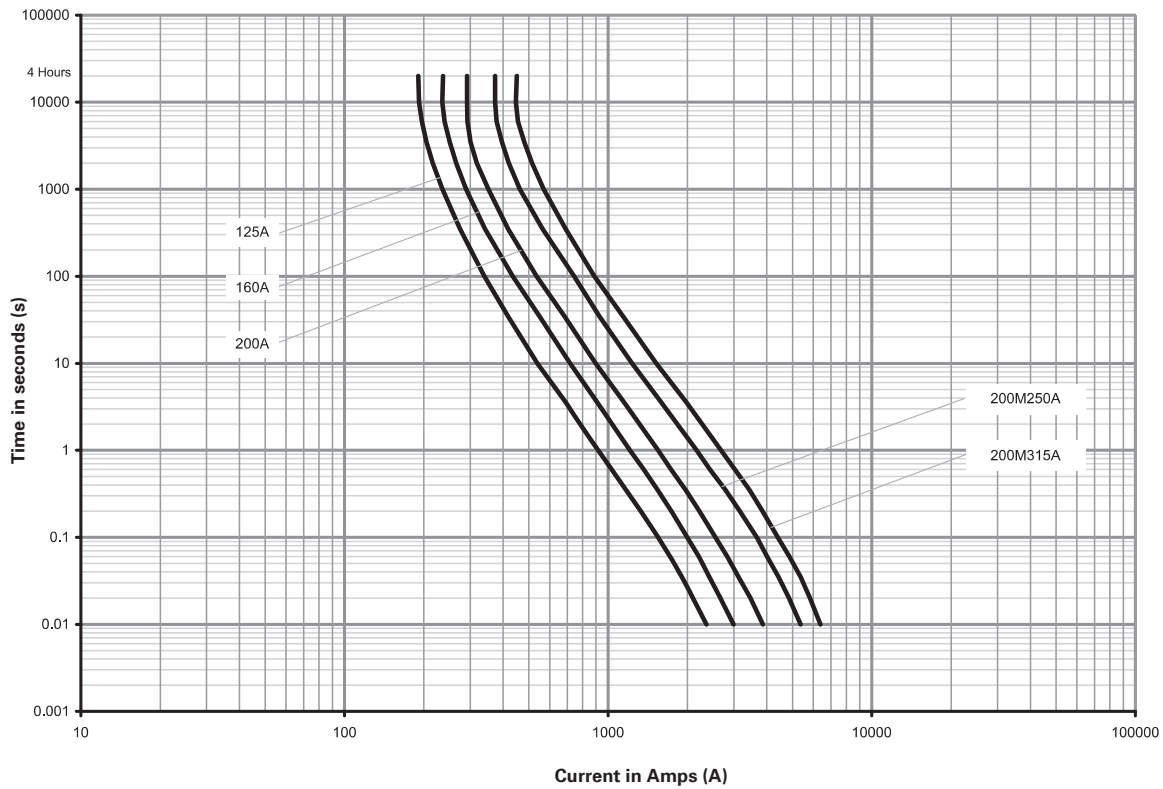
TF

Dimensions - mm



TF200M250 and TF200M315

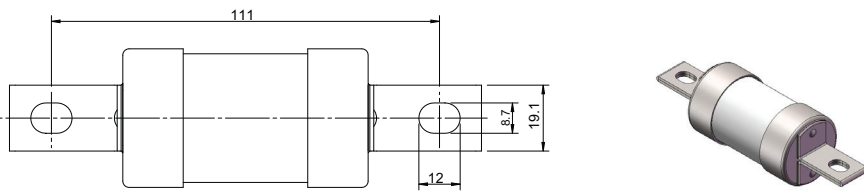
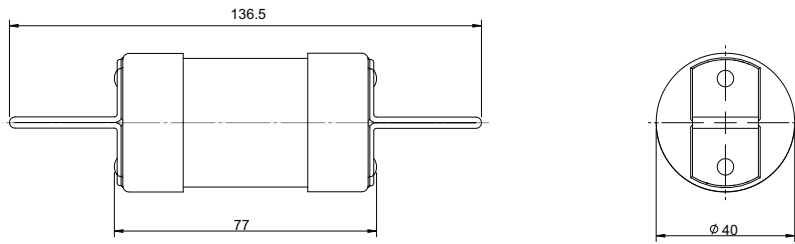
Time current curve



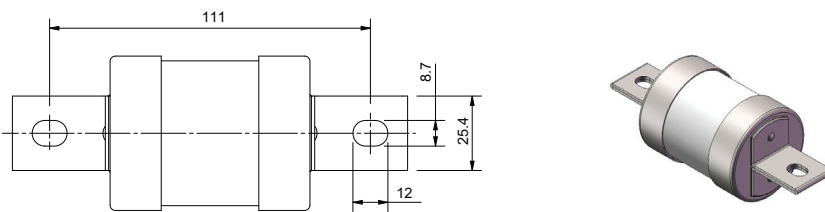
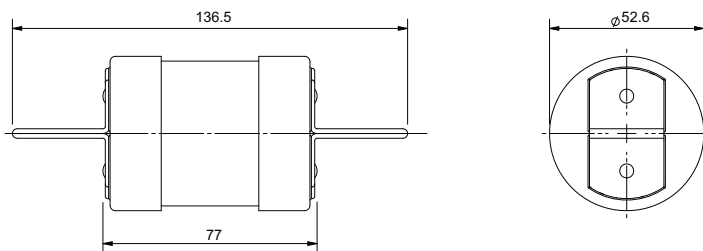
TKF

Catalogue numbers	Rated voltage	Rated current (Amps)	BS reference	Breaking capacity	Operating class	I ² t (A ² s) x 10 ³		Fixing centre (mm)	Pack quantity	Alternative fuse links	Compatible fuse holders
						Pre-arcing	Total at rated voltage				
TKF250	660-690 V a.c./ 460 V d.c	250	B3	80 kA	gG	200	870	111	5	N09-660	N/A
TKF315		315		80 kA	gG	300	1350			ED at 415 V a.c.	
TKF315M355		315M355		80 kA	gM	500	2250				

Dimensions - mm



TKF250

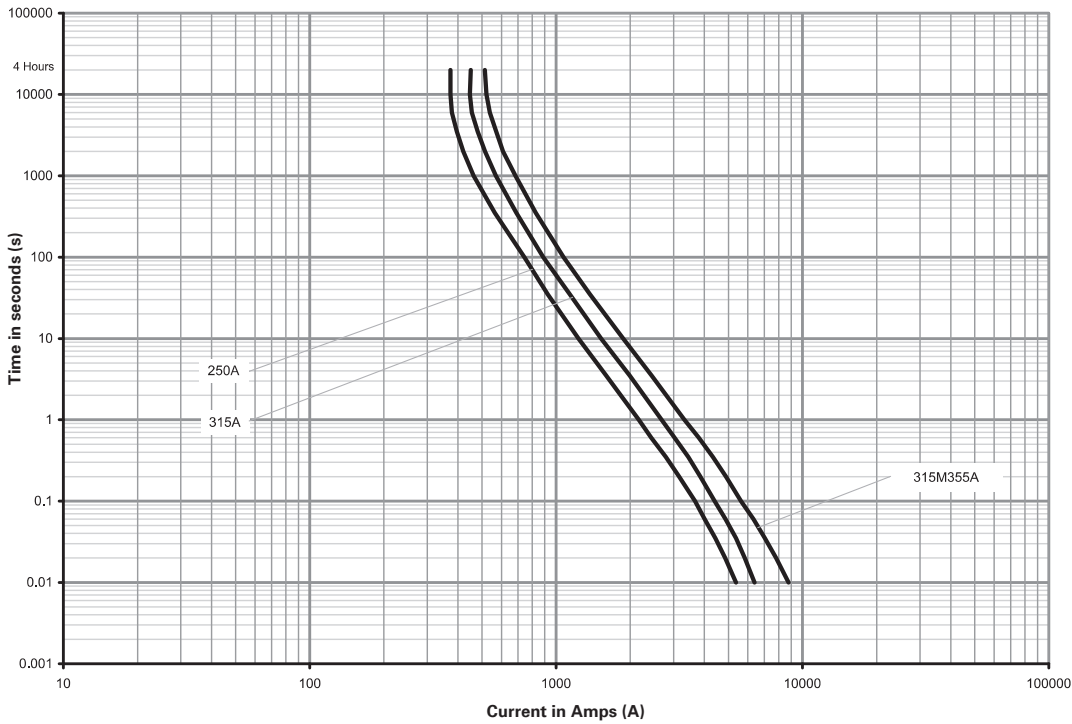


TKF315 and TKF315M355

Red Spot centre bolted tags fuse links

TKF

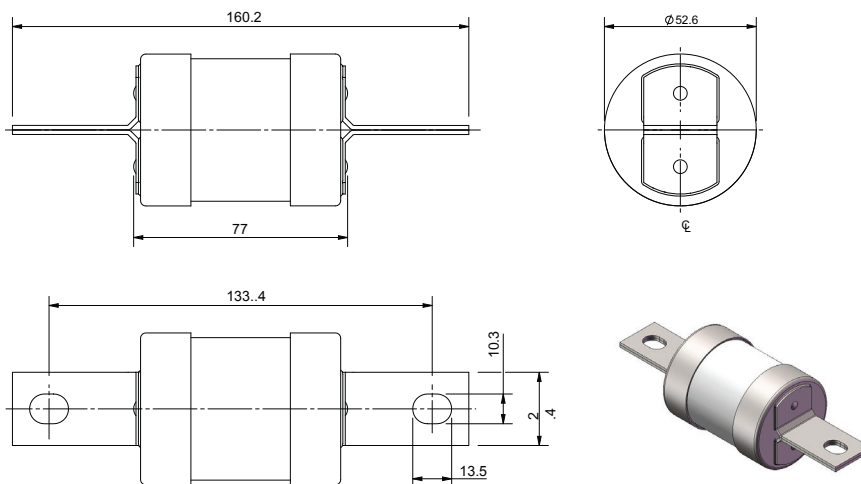
Time current curve



TKM

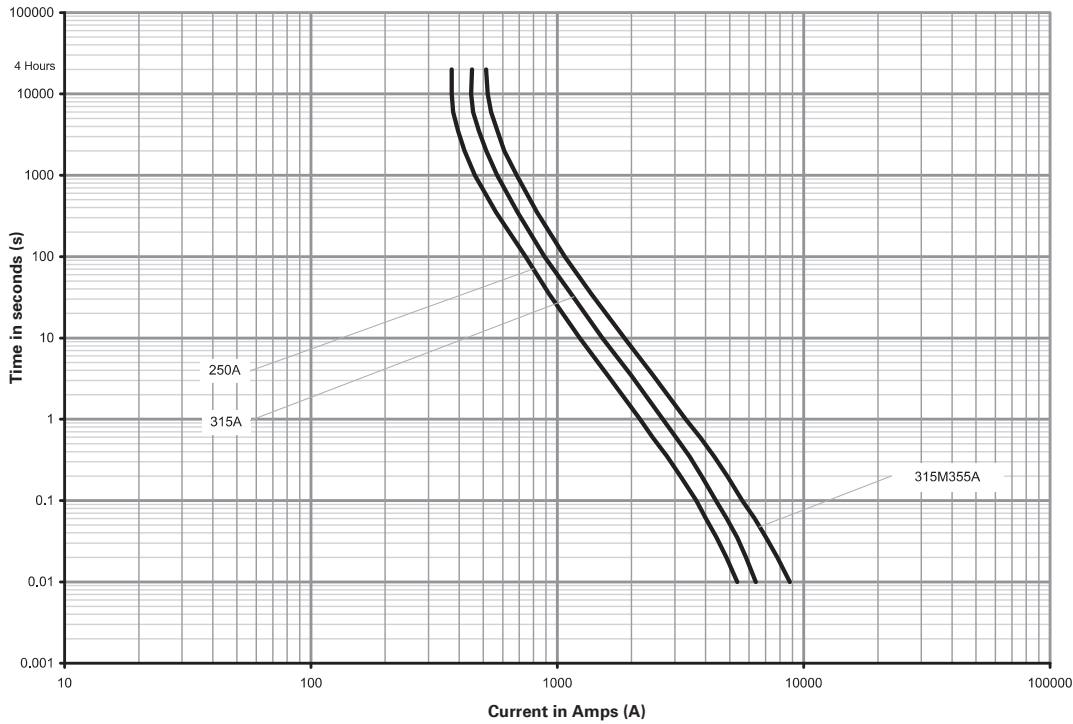
Catalogue numbers	Rated voltage	Rated current (Amps)	Breaking capacity	Operating class	I^2t (A ² s) x 10 ³		Fixing centre (mm)	Pack quantity	Alternative fuse links	Compatible fuse holders
					Pre-arcing	Total at rated voltage				
TKM250	660-690 V a.c./ 460 V d.c.	250	80 kA	gG	200	870	133	1	N11-660	RS400
TKM315		315	80 kA	gG	300	1350			EFS at 415 V a.c.	
TKM315M355		315M355	80 kA	gM	500	2250				

Dimensions - mm



TKM

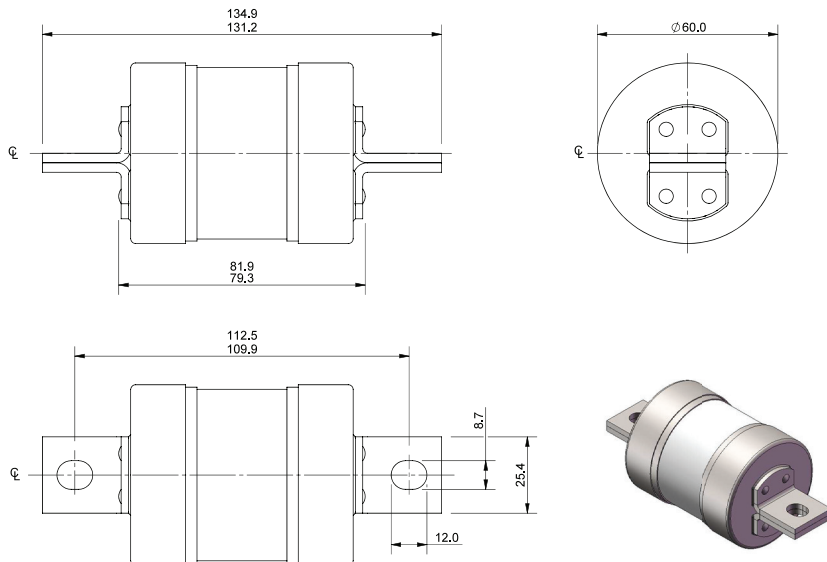
Time current curve



TMF

Catalogue numbers	Rated voltage	Rated current (Amps)	BS reference	Breaking capacity	Operating class	I ² t (A ² s) x 10 ³		Fixing centre (mm)	Pack quantity	Alternative fuse links	Compatible fuse holders
						Pre-arcing	Total at rated voltage				
TMF355	660-690 V a.c./ 460 V d.c.	355	B4	80 kA	gG	500	2250	111	1	P09-660	N/A
TMF400		400		80 kA	gG	640	3000			ED at 415 V a.c.	
TMF400M450		400M450		80 kA	gM	800	3800				

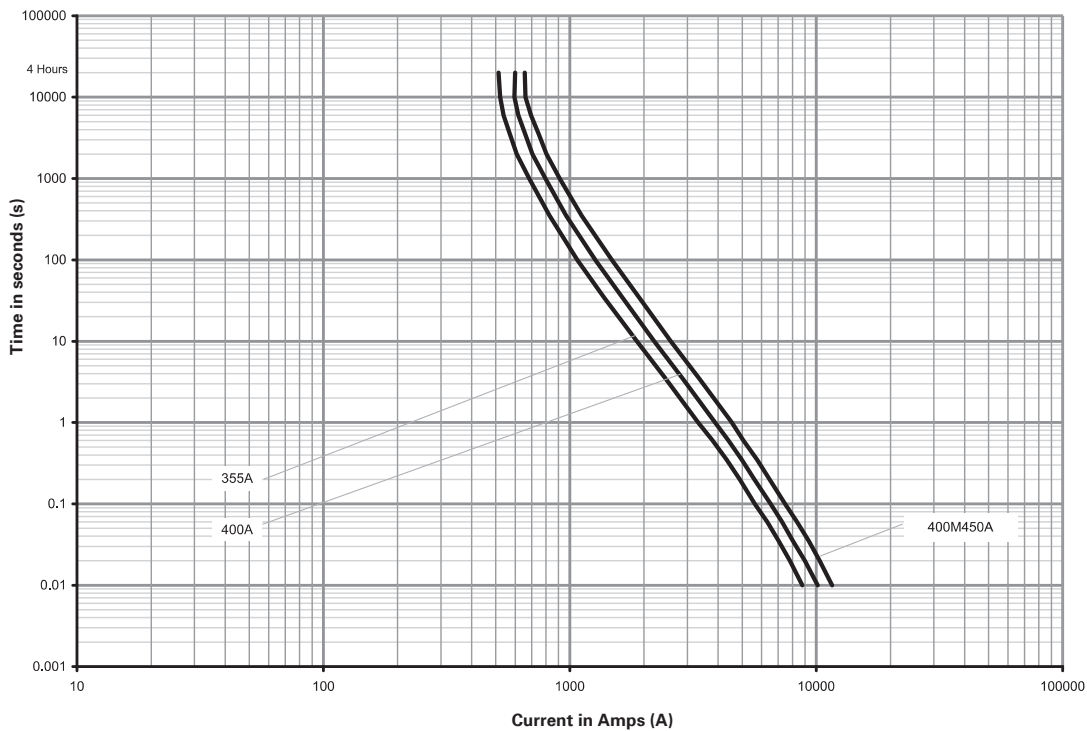
Dimensions - mm



Red Spot centre bolted tags fuse links

TMF

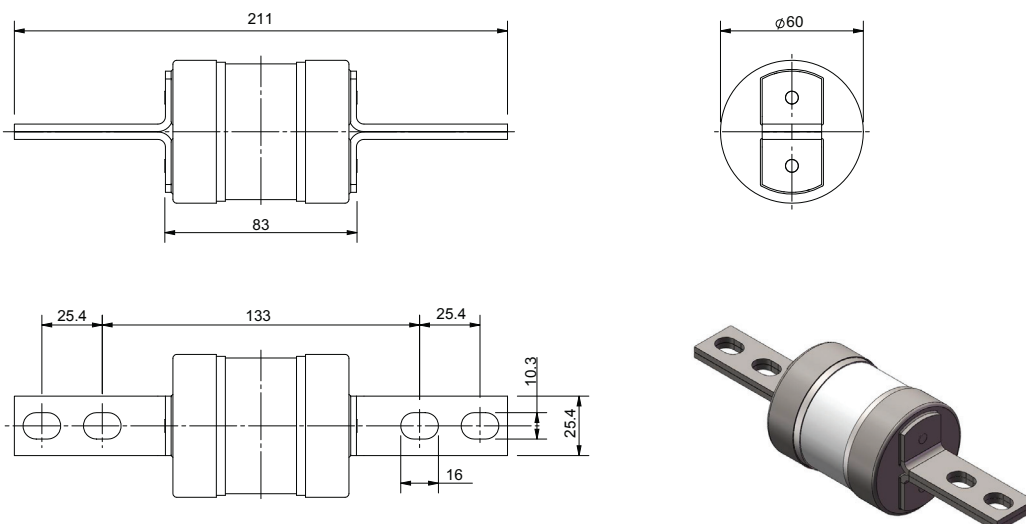
Time current curve



TM

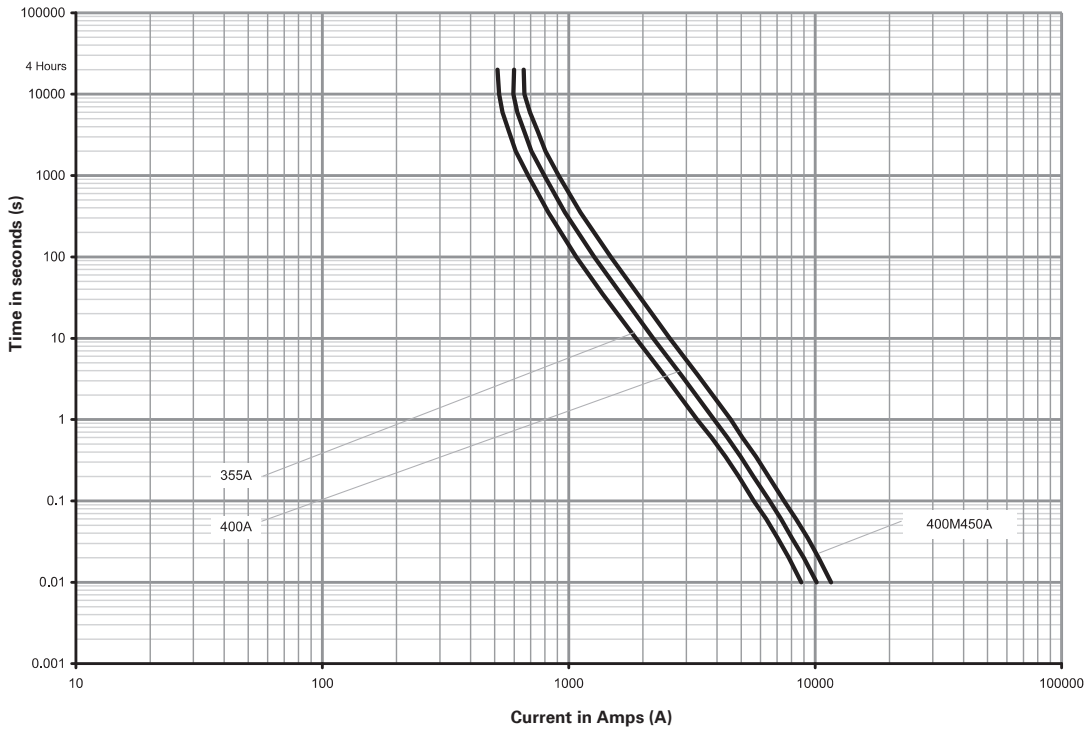
Catalogue numbers	Rated voltage	Rated current (Amps)	BS reference	Breaking capacity	Operating class	$I^2t (A^2s) \times 10^3$		Fixing centre (mm)	Pack quantity	Alternative fuse links	Compatible fuse holders
						Pre-arcing	Total at rated voltage				
TM355	660-690 V a.c./ 460 V d.c.	355	C1	80 kA	gG	500	2250	133/184	1	P11/660	RS400
TM400		400		80 kA	gG	640	3000				
TM400M450		400M450		80 kA	gM	800	3800			EF at 415 V a.c.	

Dimensions - mm



TM

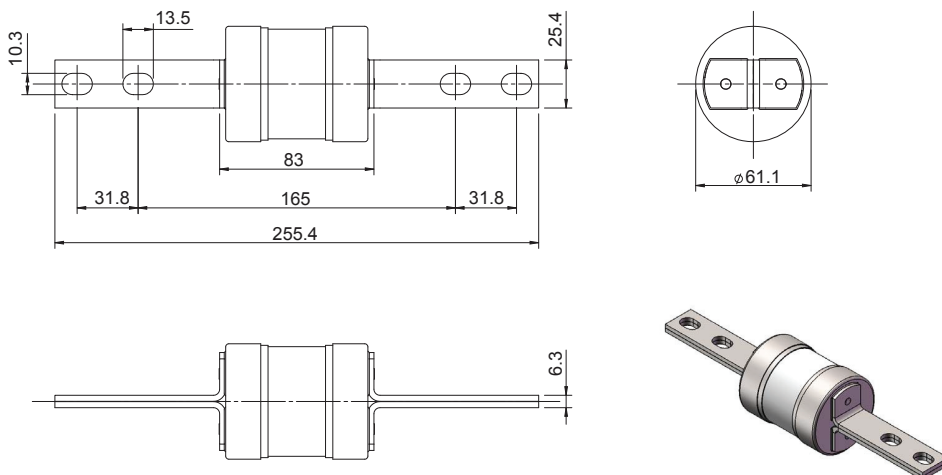
Time current curve



TMT

Catalogue numbers	Rated voltage	Rated current (Amps)	Breaking capacity	Operating class	$I^2t (A^2s) \times 10^3$		Fixing centre (mm)	Pack quantity	Alternative fuse links	Compatible fuse holders
					Pre-arcing	Total at rated voltage				
TMT355	660 V a.c.	355	80 kA	gG	500	2250	165	1	P12-660	N/A
TMT400		400	80 kA	gG	640	3000				

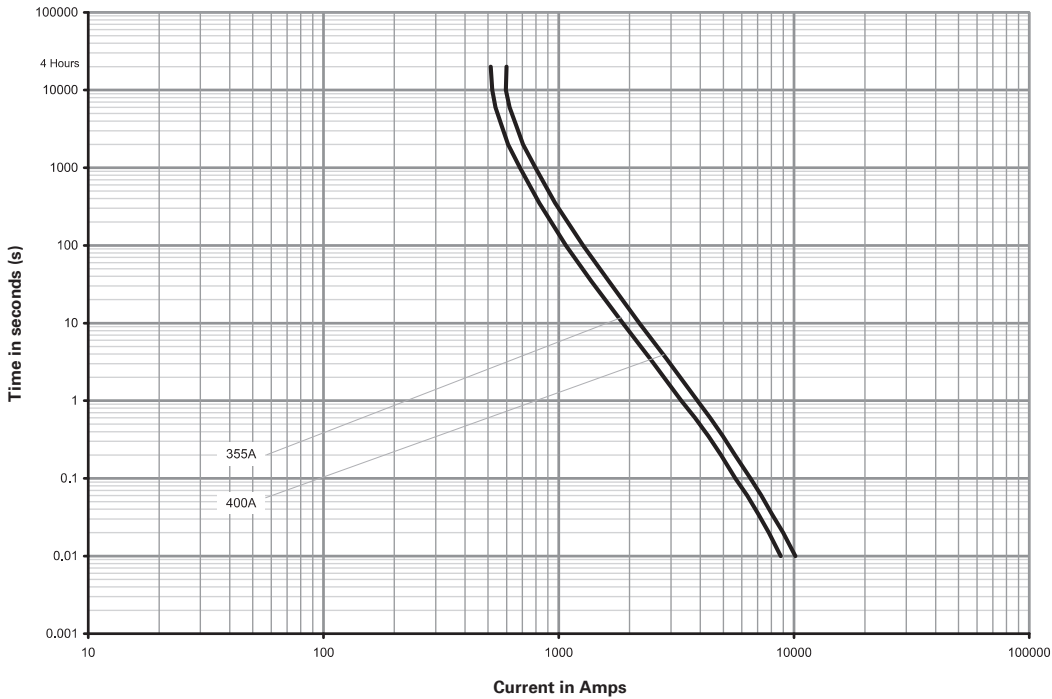
Dimensions - mm



Red Spot centre bolted tags fuse links

TMT

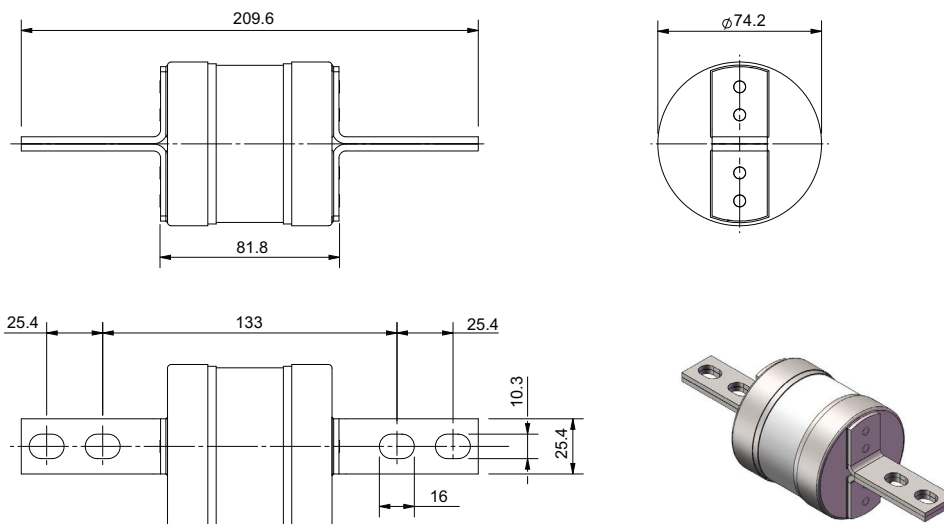
Time current curve



TTM

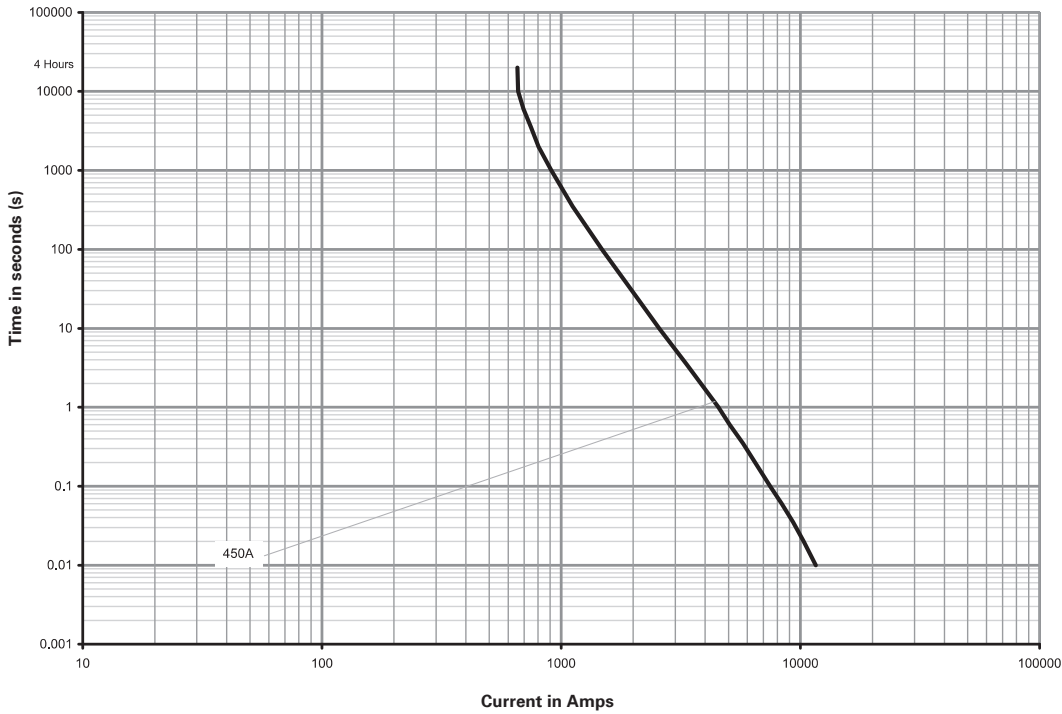
Catalogue numbers	Rated voltage	Rated current (Amps)	BS reference	Breaking capacity	Operating class	I ² t (A ² s) x 10 ³		Fixing centre (mm)	Pack quantity	Alternative fuse links	Compatible fuse holders
						Pre-arcing	Total at rated voltage				
TTM450	660-690 V a.c./ 450 V d.c.	450	C2	80 kA	gG	800	3800	133/184	1	R11-660	N/A
TTM500		500									
TTM560		560		80 kA	gG	1400	5400			FF at 415 V a.c.	
TTM630		630		80 kA	gG	2000	7500				
TTM630M670		630M670		80 kA	gM	2400	9000				

Dimensions - mm

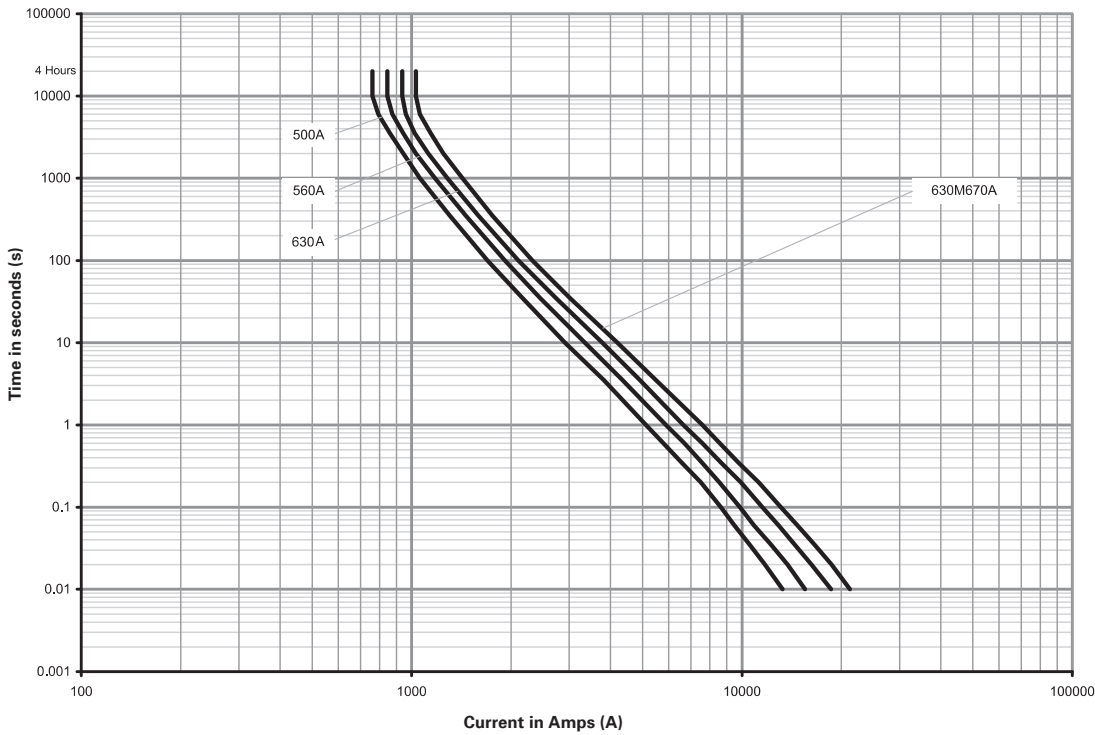


TTM

Time current curve



TTM450



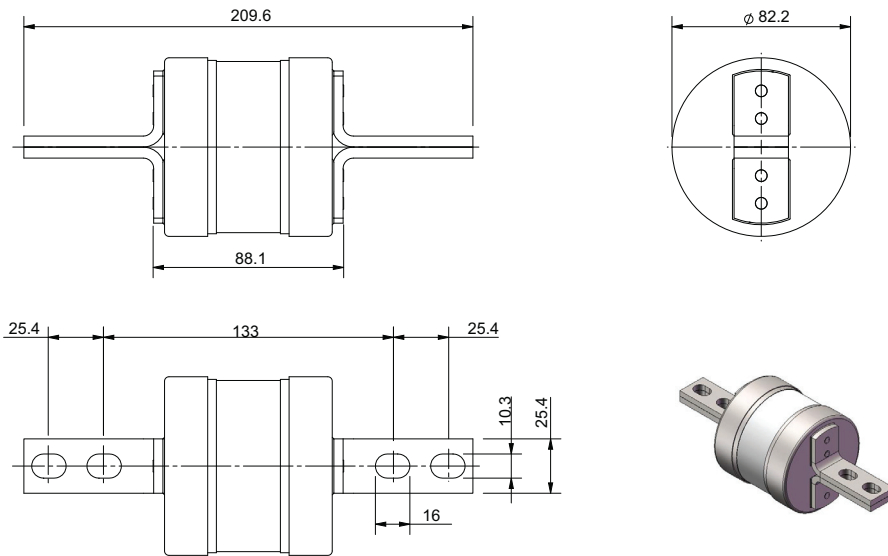
TTM500 to TTM630M670

Red Spot centre bolted tags fuse links

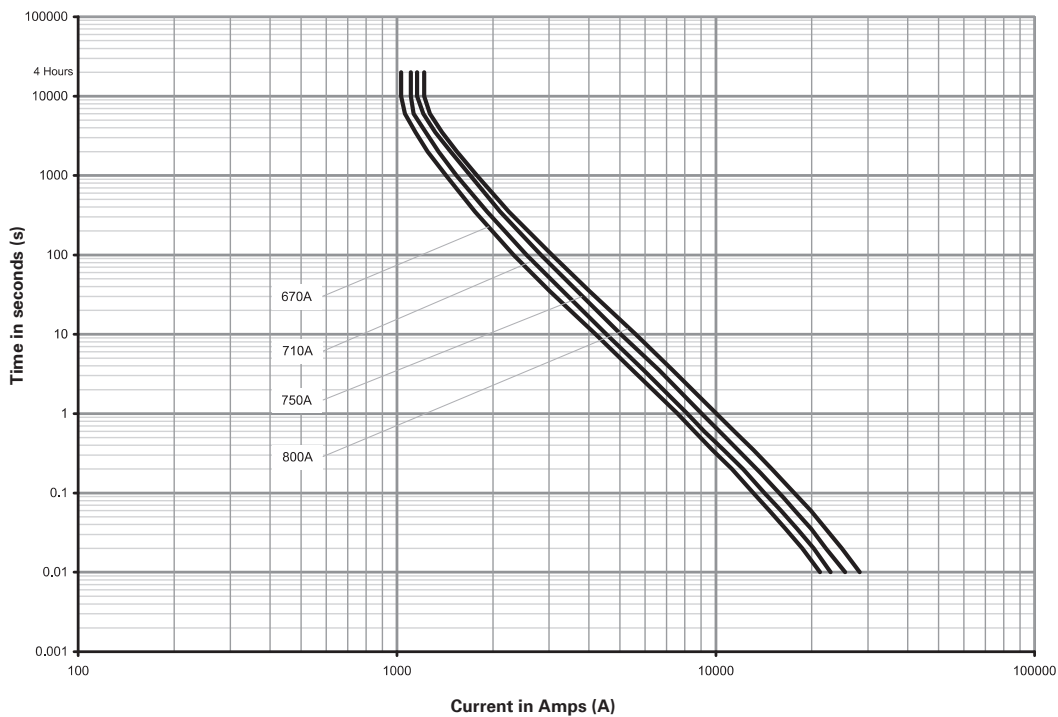
TLM

Catalogue numbers	Rated voltage	Rated current (Amps)	BS reference	Breaking capacity	Operating class	I ² t (A ² s) x 10 ³		Fixing centre (mm)	Pack quantity	Alternative fuse links	Compatible fuse holders
						Pre-arcing	Total at rated voltage				
TLM670	660-690 V a.c./ 350 V d.c.	670	C3	80 kA	gG	2400	9000	133/184	1	GF at 550 V a.c.	N/A
TLM710		710		80 kA	gG	2800	9700				
TLM750		750		80 kA	gG	3700	12000				
TLM800		800		80 kA	gG	4400	15000				

Dimensions - mm



Time current curve

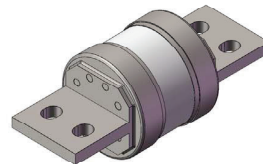
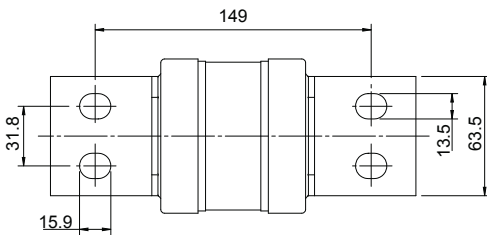
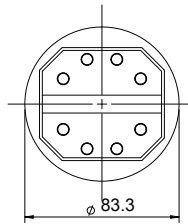
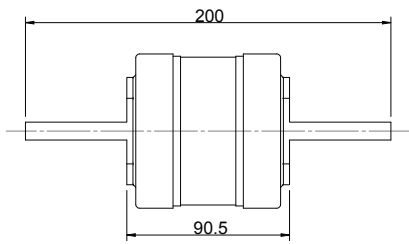


Red Spot centre bolted tags fuse links

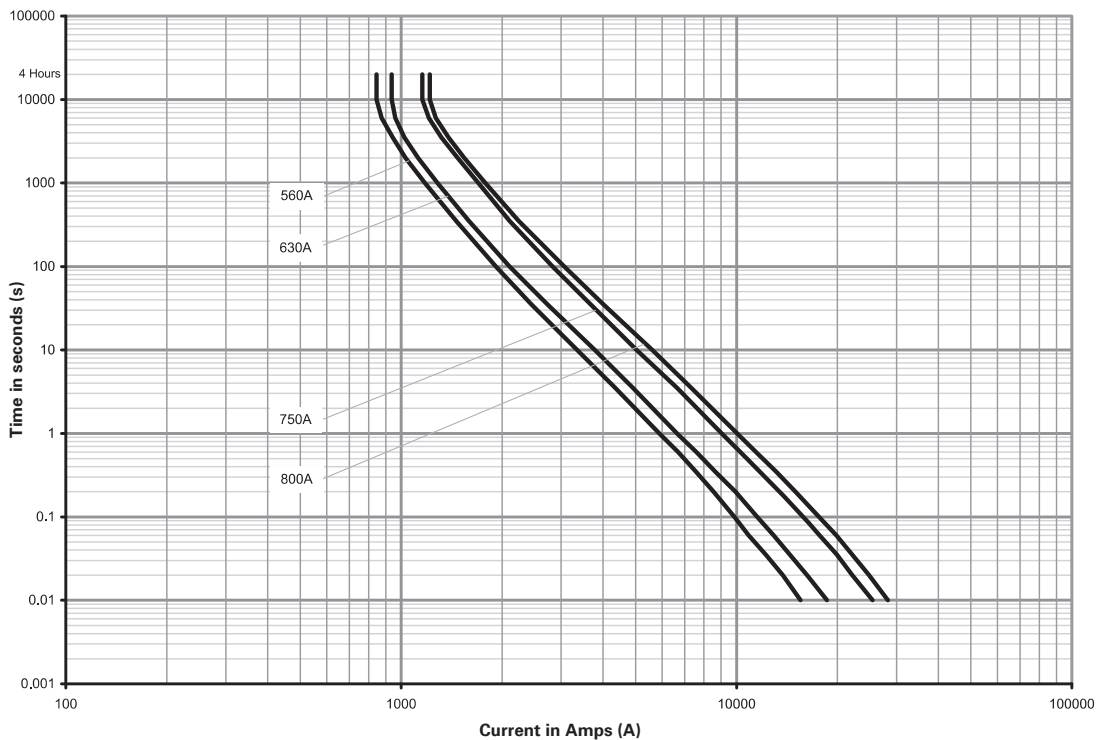
TLU

Catalogue numbers	Rated voltage	Rated current (Amps)	BS reference	Breaking capacity	Operating class	I^2t (A ² s) x 10 ³		Fixing centre (mm)	Pack quantity	Alternative fuse links	Compatible fuse holders
						Pre-arcing	Total at rated voltage				
TLU560	660 V a.c./ 350 V d.c.	560	D1	80 kA	gG	1400	5400	149	1	GH at 550 V a.c.	N/A
TLU630		630									
TLU750	750	80 kA	gG	3700	12,000						
TLU800	800	80 kA	gG	4400	15,000						

Dimensions - mm



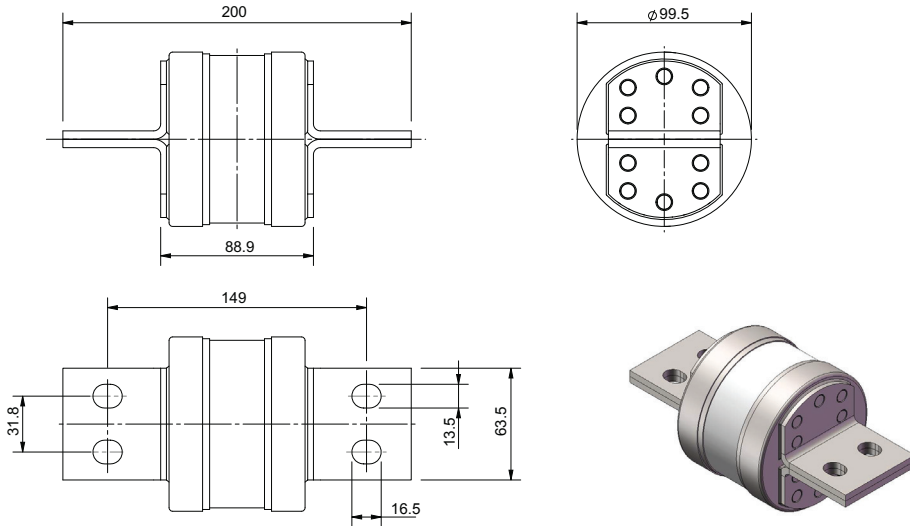
Time current curve



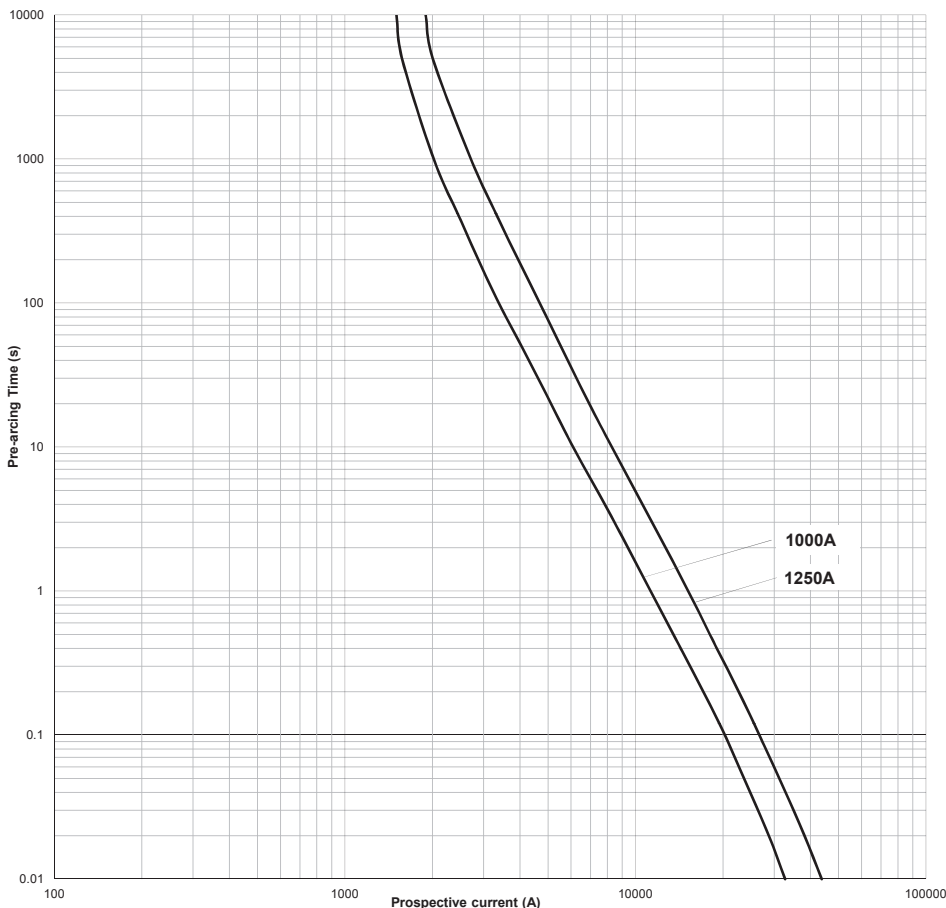
TXU

Catalogue numbers	Rated voltage	Rated current (Amps)	BS reference	Breaking capacity	Operating class	I ² t (A ² s) x 10 ³		Fixing centre (mm)	Pack quantity	Alternative fuse links	Compatible fuse holders
						Pre-arcing	Total at rated voltage				
TXU1000	660-690 V a.c./ 350 V d.c.	1000	D1	80 kA	gG	5300	17500	149	1	GH at 550 V a.c.	N/A
TXU1250		1250		80 kA	gG	10000	29000				

Dimensions - mm



Time current curve



Eaton
EMEA Headquarters
Route de la Longeraie 7
1110 Morges, Switzerland

Eaton Electrical Products Limited
Unit 1, Hawker Business Park
Melton Road
Burton-on-the-Wolds
Leicestershire, LE12 5TH
United Kingdom

© 2017 Eaton
All Rights Reserved
PDF Only
Publication No. 10078
April 2024

Changes to the products, to the information contained in this document, and to prices are reserved; so are errors and omissions. Only order confirmations and technical documentation by Eaton is binding. Photos and pictures also do not warrant a specific layout or functionality. Their use in whatever form is subject to prior approval by Eaton. The same applies to Trademarks (especially Eaton, Moeller, and Cutler-Hammer). The Terms and Conditions of Eaton apply, as referenced on Eaton Internet pages and Eaton order confirmations.

Eaton is a registered trademark.

All other trademarks are property of their respective owners.