

MULTIBLOC® 4a.ST8

Size 4a, 690VAC, 1250A, 690VAC, Design for Bottom Fitting, 1-, 3-pole

IEC FUSE SWITCH DISCONNECTORS

NH FUSE SWITCH DISCONNECTOR



The production programme of MULTIBLOC® series 4a.ST8 - 1250 A comprises NH fuse switch disconnectors for 1250A.

They are designed for bottom fitting/panel installation and are available in single pole and triple pole units.

MULTIBLOC® size 4a are designed for NH fuse-links in accordance with IEC/EN 60269-2, VDE 0636-2, size 4a, 1250A.

MULTIBLOC® offers the user the possibility of fast and easy installation as well as a high degree of security during installation and maintenance.

TECHNICAL DATA OVERVIEW

Voltage AC	690 VAC
Voltage DC	440 VDC
Amper (A)	1200 A
Size per Standard	4a
SCCR	Ue = AC 400 V; Ie = 1250 A 50kA Ue = AC 500 V; Ie = 1250 A 50kA Ue = AC 690 V; Ie = 1250 A 50kA
Mounting	bottom fitting/panel
Switchability	1-,3-pole switching

FEATURES & BENEFITS

- Touch protection IP 20
- Safe on load connection/disconnection in accordance with IEC 60947-3

APPLICATIONS

- Panel boards for industrial use
- Feeder pillars for industrial use
- Meter distribution units
- Measuring transformer cabinets
- Transmitting stations for telecommunications

STANDARDS

- IEC/EN 60 947-3
For NH-fuse links size 4a in accordance with IEC/EN 60 269-2, VDE 0636-2



MULTIBLOC® 4a.ST8

Size 4a, 690VAC, 1250A, 690VAC, Design for Bottom Fitting, 1-, 3-pole

PRODUCT RANGE



1.000.083

MULTIBLOC® 4a.ST8 size 4a 1250A, 690VAC bottom fitting, single pole

Catalog number	Reference number	Poles	Cable termination components	Weight kg ¹	Package
1.000.083	T1023080	1	M16 terminal screws	4.10	1 piece

¹weight in kg per piece or set including package



1.000.089

MULTIBLOC® 4a.ST8 size 4a 1250A, 690VAC bottom fitting, triple pole

Catalog number	Reference number	Poles	Cable termination components	Design	Weight kg ¹	Package
1.000.089	V1023081	3	M16 terminal screws	single pole switching	12.50	1 piece
1.000.090	W1023082	3	M16 terminal screws	triple pole switching	12.50	1 piece

¹weight in kg per piece or set including package



1.000.090

MULTIBLOC® 4a.ST8

Size 4a, 690VAC, 1250A, 690VAC, Design for Bottom Fitting, 1-, 3-pole

TECHNICAL DATA IN ACCORDANCE WITH EN / IEC 60947

	4a.ST8 single pole	4a.ST8 triple pole
Number of poles/phases	1	3
Size	4a	4a
Conventional free air thermal current with NH-fuse links I_{th}	1250 A	1250 A
Max. power dissipation of fuse links P_n	115 W	115 W
Conventional free air thermal current with solid links I_{th}	1500 A	1500 A
Max. power dissipation of solid links P_n	42 W	42 W
Utilization category to IEC/EN 60947-3 $U_e = AC 400 V; I_e = 1250 A$ $U_e = AC 500 V; I_e = 1250 A$ $U_e = AC 690 V; I_e = 1250 A$ $U_e = DC 440 V; I_e = 1250 A$	AC 22 B AC 22 B AC 21 B DC 21 B	AC 22 B AC 22 B - DC 21 B
Rated operational voltage U_e	690 V	690 V
Rated insulation voltage U_i	800 V	800 V
Rated impulse withstand voltage $U_{_{imp}}$	8 kV	8 kV
Rated frequency	50 ... 60 Hz	50 ... 60 Hz
Degree of protection	IP 20	IP 20
Degree of pollution	3	3
Rated duty	uninterrupted duty	uninterrupted duty
Rated conditional short-circuit current with fuse links $U_e = AC 400 V; I_e = 1250 A$ $U_e = AC 500 V; I_e = 1250 A$ $U_e = AC 690 V; I_e = 1250 A$	50 kA 50 kA 50 kA	50 kA 50 kA 50 kA
Rated short circuit making capacity with solid links I_{cm}	100 kAsw	100 kAsw
Rated short-time withstand current I_{cw}	50 kA / 1 s	50 kA / 1 s
Power dissipation by I_{th} without NH-fuse links	55 W	180 W
Power dissipation by I_{th} without solid links	55 W	180 W
Installation mode	bottom fitting	bottom fitting
Cable terminal connection		
Standard cable terminal	M16	M16
for copper bars with max. dimensions	50 x 10 mm	50 x 10 mm

MERSEN reserves the right to change, update or correct, without notice, any information contained in this datasheet.

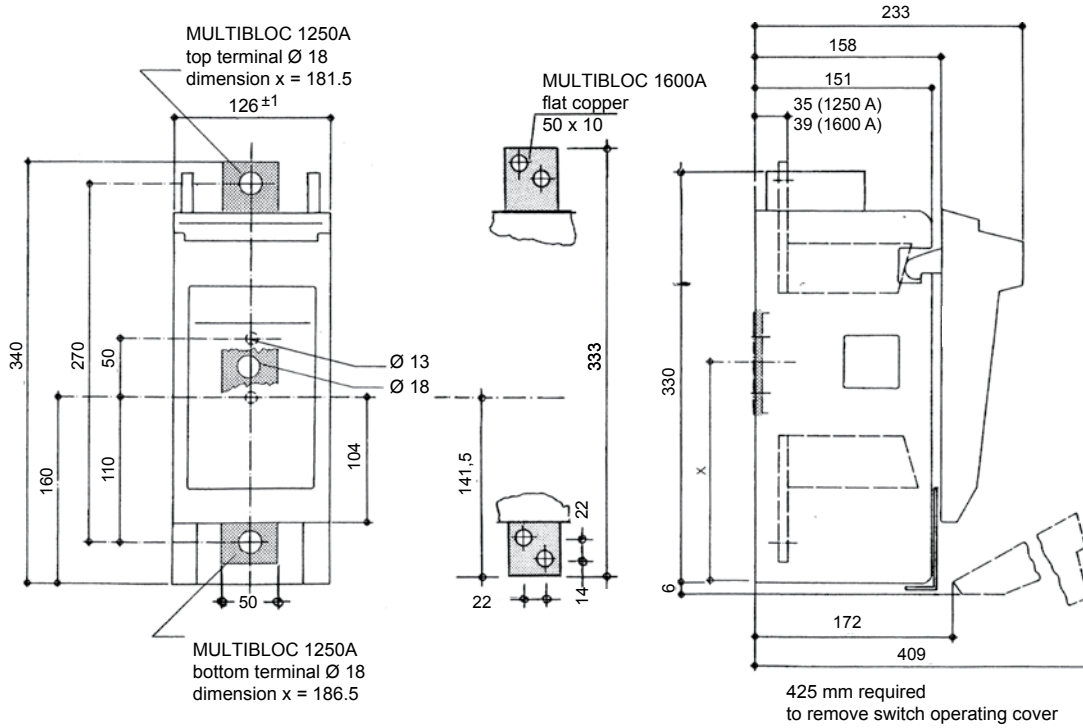
MULTIBLOC® 4a.ST8

Size 4a, 690VAC, 1250A, 690VAC, Design for Bottom Fitting, 1-, 3-pole

DIMENSIONS

MULTIBLOC® 4a.ST8 NH-fuse switch disconnecter
single pole design for bottom fitting

(M02002)



Dimensions in mm

MERSEN reserves the right to change, update or correct, without notice, any information contained in this datasheet.

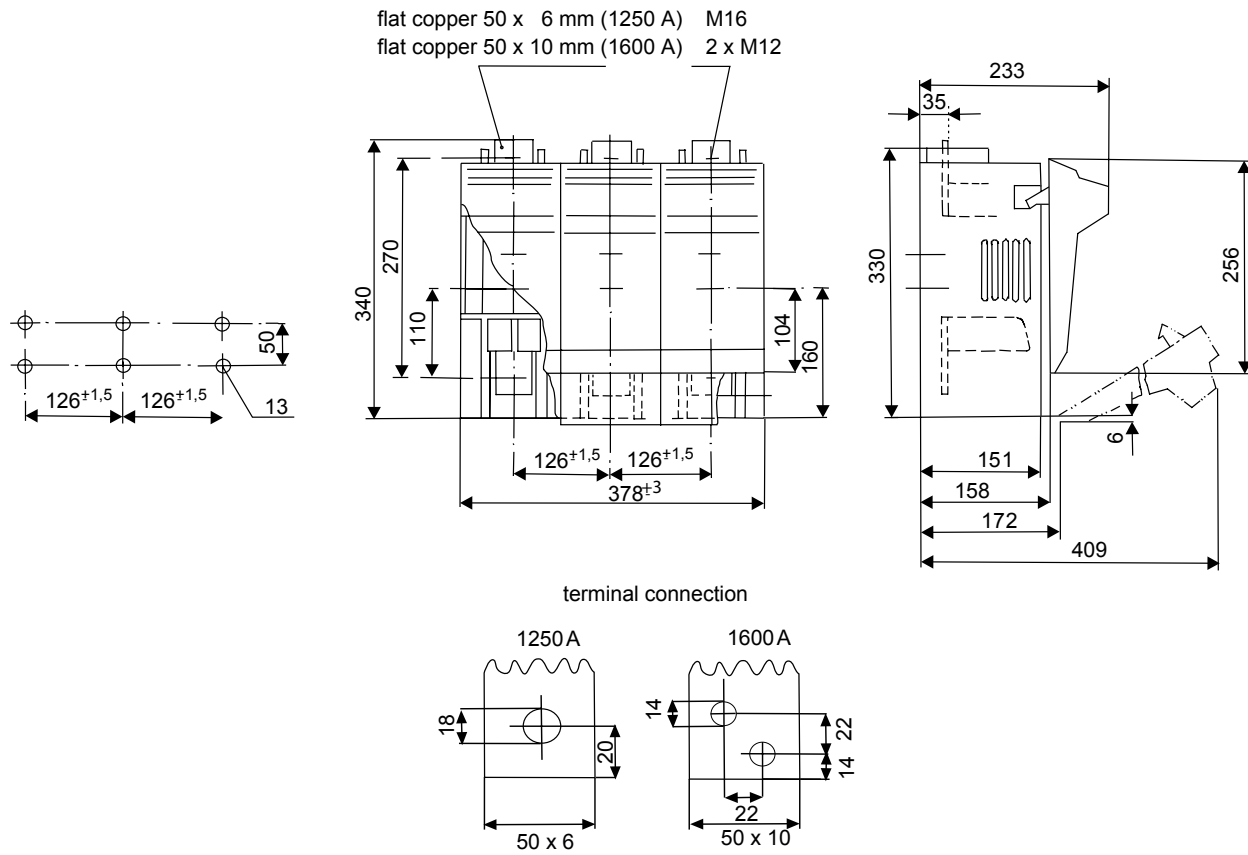
MULTIBLOC® 4a.ST8

Size 4a, 690VAC, 1250A, 690VAC, Design for Bottom Fitting, 1-, 3-pole

DIMENSIONS

MULTIBLOC® 4a.ST8 NH-fuse switch disconnecter
triple pole design for bottom fitting

(M02003a)



Dimensions in mm