

# EKJB



Sample image

**Order symbol :** EKJB

**Product nr :** 3530140

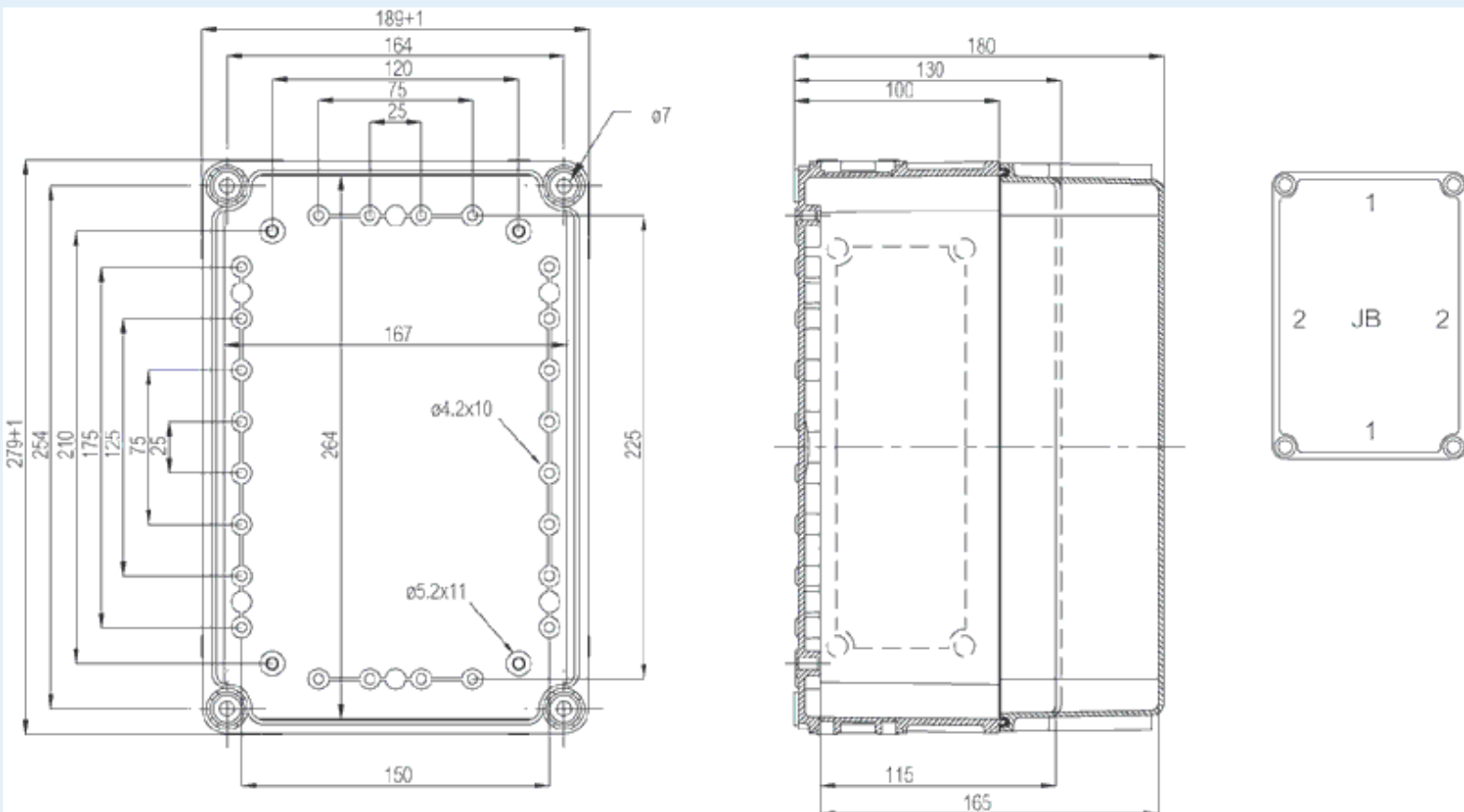
**Description :** Base, PC

**Remarks :** Openings; 2x size 1 flange + 2x size 2 flange

**EAN :** 6418074000033

**El. number :**

- Finland : 3420105
- Denmark : 8212006522
- Sweden : 2537804



Dimensions :	Height	Width	Depth
mm :	280	190	100
inch :	11.02	7.48	3.94

**Accessories :**

- EKV 12 DIN-35 Mounting rail, for enclosures: (160 x 35 x 7)
- EKJVT Mounting plate, for enclosures:

**Materials :**

	(238 x 148 x 1)
EKV 22	DIN-35 Mounting rail, for enclosures: (235 x 35 x 7)
EKJZR	Extension frame, for enclosures: (280 x 190 x 50)
MPI EKJ 2819	Multiperforated plastic mounting plate (259 x 164 x 4)

**Ratings :**

electrical_insulation :	Totally insulated
UV resistance :	UL 746C

**Certificates :**

SGSFIMKO\_EK