

EKHA



Sample image

Order symbol : EKHA

Product nr : 3530139

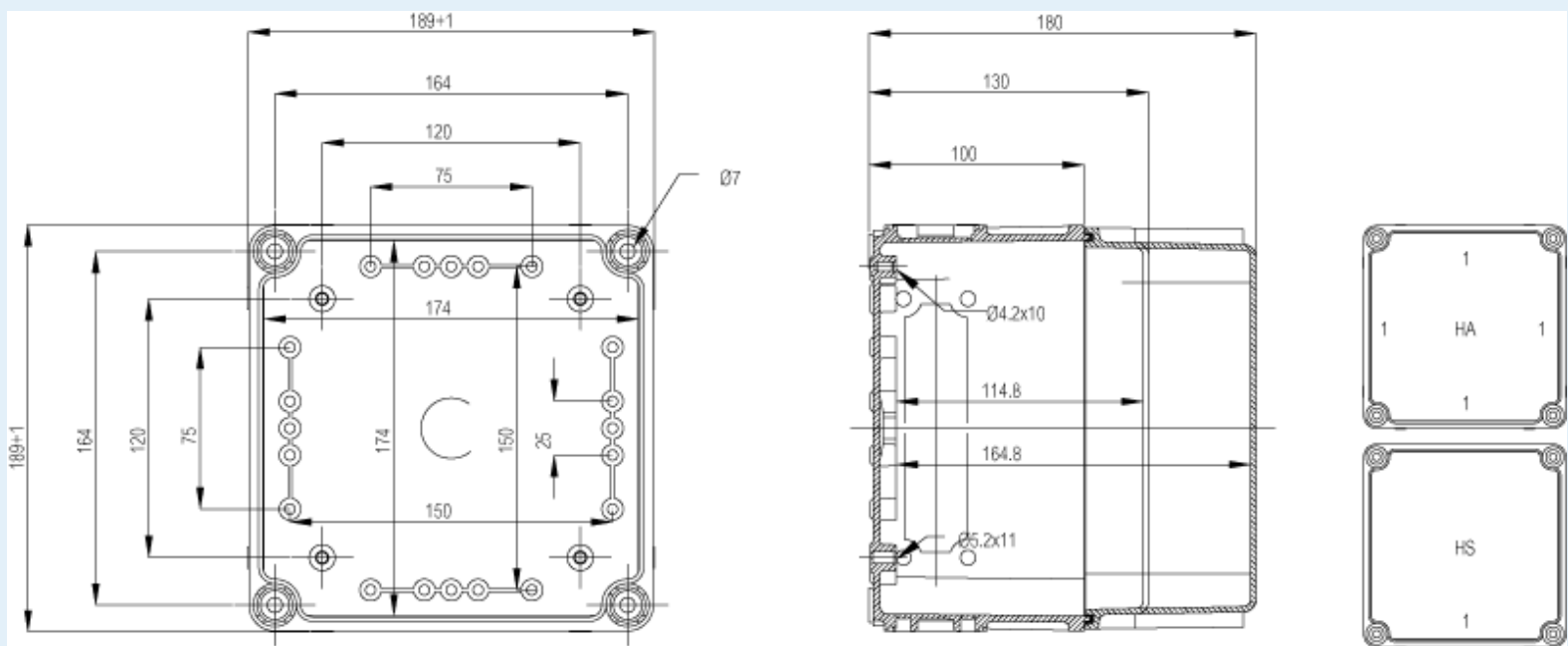
Description : Base, PC

Remarks : Openings; 4x size 1 flange

EAN : 6418074000019

El. number :

- Finland : 3420100
- Denmark : 8212006506
- Sweden : 2537800



Dimensions :	Height	Width	Depth
mm :	190	190	100
inch :	7.48	7.48	3.94

Materials :

Material : Polycarbonate
Base colour : RAL_7035

Accessories :

- EKHVT Mounting plate, for enclosures: (148 x 148 x 1)
- EKV 12 DIN-35 Mounting rail, for enclosures: (160 x 35 x 7)
- MPI EKH 1919 Multiperforated plastic mounting plate (167 x 167 x 4)

Ratings :

electrical_insulation : Totally insulated

Temperatures :

Temperature °C (continuous) : -40 ... 80
Temperature °F (continuous) : -40 ... 175

UV resistance : UL 746C
Flammability Rating : UL 94 5VA
Glow Wire Test (IEC 695-2-1) °C : 960C

Certificates :

SGSFIMKO_EK