



Sample image

Order symbol : EKPK

Product nr : 3530315

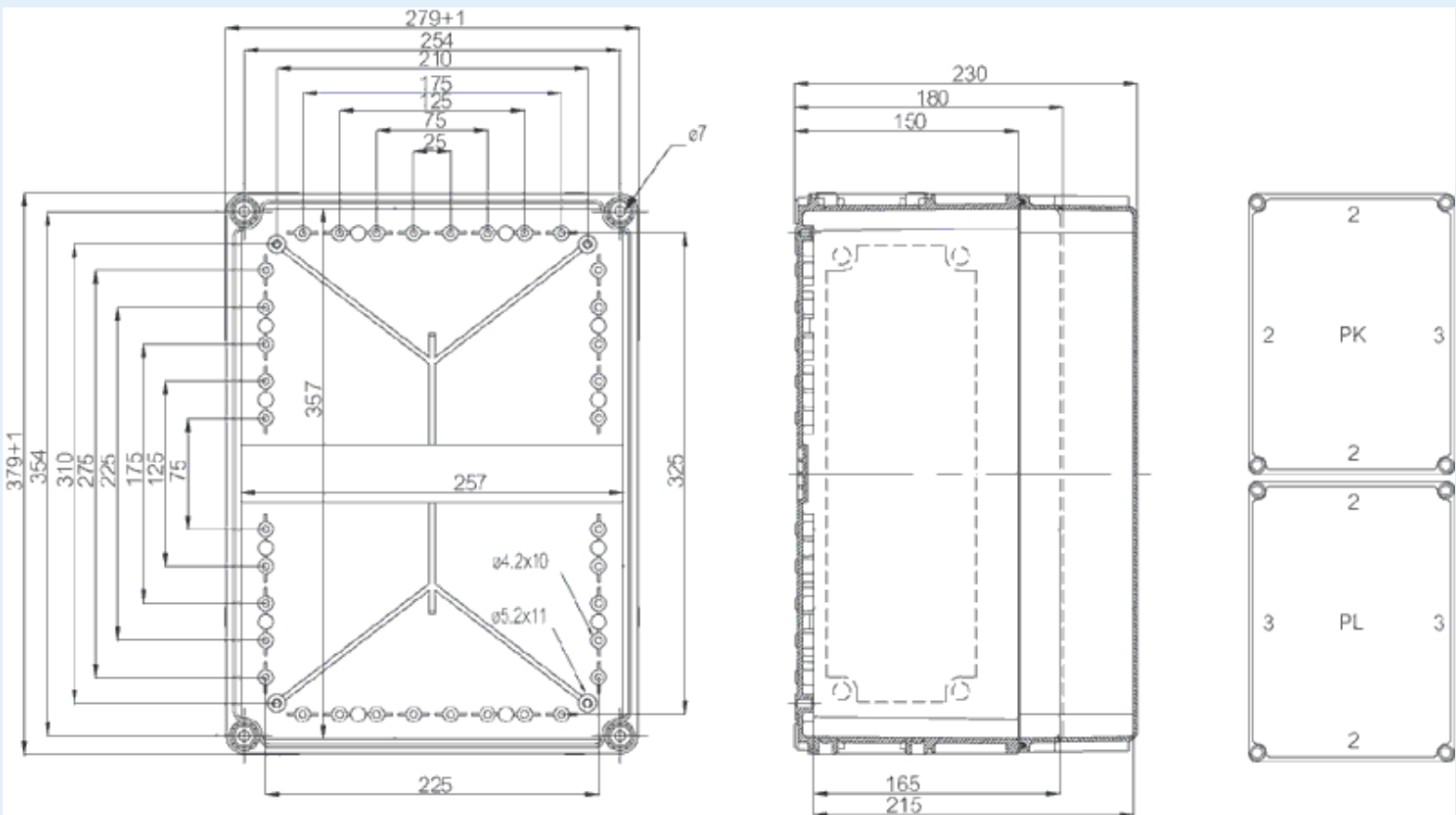
Description : Base, PC

Remarks : Openings; 3x size 2 flange + 1x size 3 flange

EAN : 6418074000101

El. number :

- Finland : 3420123
- Denmark : 8212006580
- Sweden : 2537818



Dimensions :	Height	Width	Depth
mm :	380	280	150
inch :	14.96	11.02	5.91

Accessories :

- EKV 32 DIN-35 Mounting rail, for enclosures: (335 x 35 x 7)
- EKV 22 DIN-35 Mounting rail, for enclosures:

Materials :

(235 x 35 x 7)

EKPZR

Extension frame, for enclosures:
(380 x 280 x 50)

EKPVT

Mounting plate, for enclosures:
(338 x 238 x 1)

MPI EKP 3828

Multiperforated plastic mounting plate
(338 x 238 x 4)

Ratings :

electrical_insulation :

Totally insulated

UV resistance :

UL 746C

Certificates :

SGSFIMKO_EK