

EKJ 30-G



Sample image

Order symbol : EKJ 30-G

Product nr : 3730146

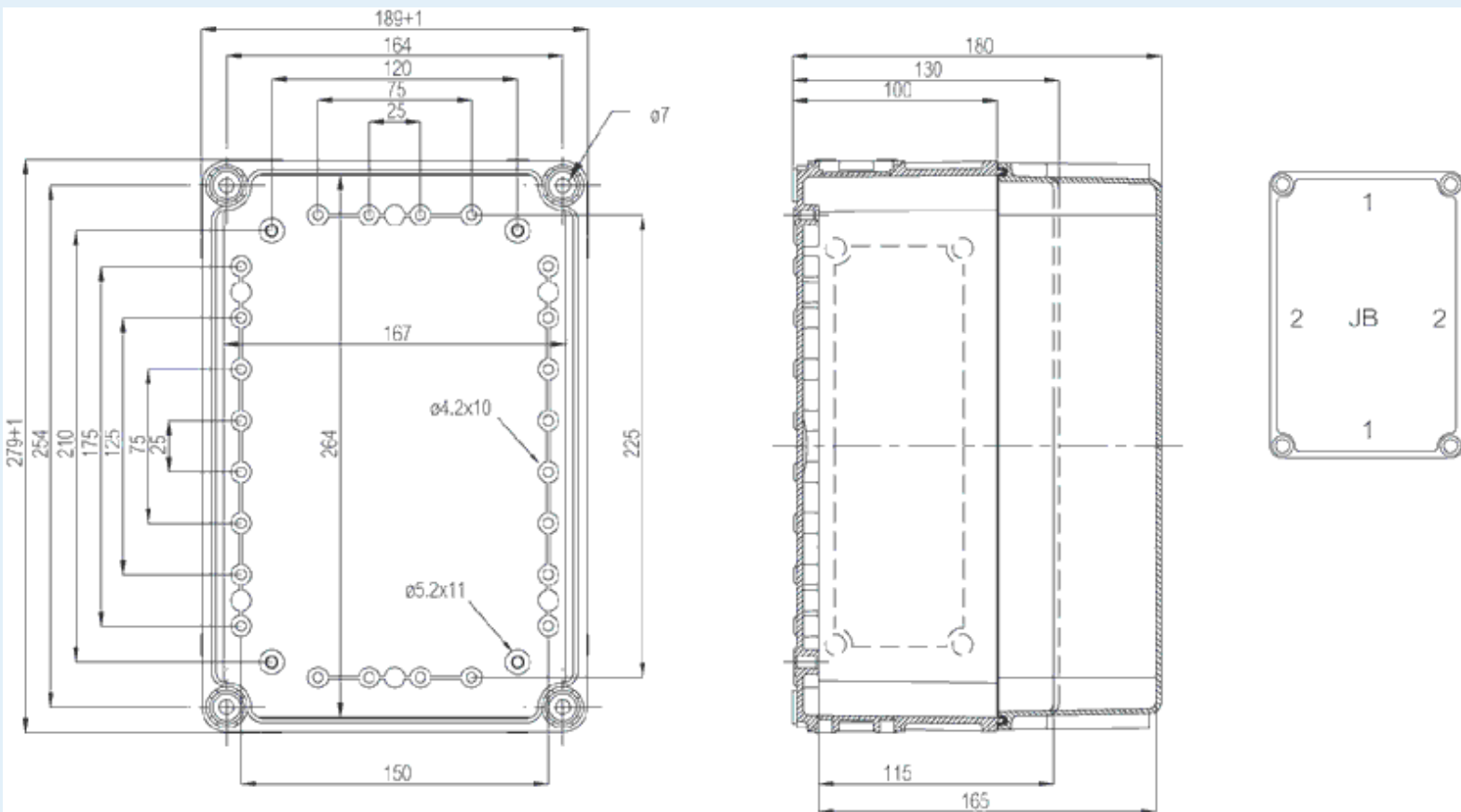
Description : Cover, PC

Remarks : Grey

EAN : 6418074000248

El. number :

- Finland : 3420156
- Denmark : 8212007068
- Sweden : 2537856



Dimensions :	Height	Width	Depth
mm :	280	190	30
inch :	11.02	7.48	1.18

Accessories :	
EKV 12	DIN-35 Mounting rail, for enclosures: (160 x 35 x 7)
EKJVT	Mounting plate, for enclosures:

Materials :**Temperatures :**

Temperature °C (short term) : -40 ... 120

Temperature °F (short term) : -40 ... 250

Temperature °F (continuous) : -40 ... 175

(238 x 148 x 1)

EKV 22 DIN-35 Mounting rail, for enclosures:
(235 x 35 x 7)

EKJZR Extension frame, for enclosures:
(280 x 190 x 50)

MPI EKJ 2819 Multiperforated plastic mounting plate
(259 x 164 x 4)

Ratings :

electrical_insulation : Totally insulated

UV resistance : UL 746C

Certificates :

SGSFIMKO_EK