



# CEMBRE

BATTERY OPERATED HYDRAULIC CUTTING TOOL  
COUPE-CÂBLE HYDRAULIQUE SUR BATTERIE  
HYDRAULISCHES AKKU-SCHNEIDWERKZEUG  
HERRAMIENTA HIDRÁULICA DE CORTE A BATERÍA  
UTENSILE OLEODINAMICO DA TAGLIO A BATTERIA

**B-TC950    B-TC950A    B-TC950E    B-TC950T**

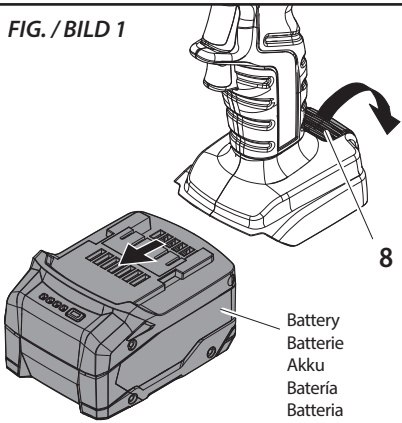
CE

UK  
CA



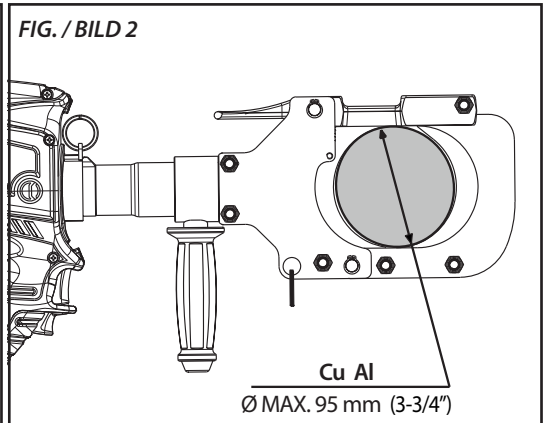
ENGLISH	OPERATION AND MAINTENANCE MANUAL .....	5
	(Translation of the original instructions)	
FRAANÇAIS	NOTICE D'UTILISATION ET ENTRETIEN .....	10
	(Traduction des instructions originales)	
DEUTSCH	BEDIENUNGSANLEITUNG .....	15
	(Übersetzung der Originalanleitung)	
ESPAÑOL	MANUAL DE USO Y MANTENIMIENTO .....	20
	(Traducción de las instrucciones originales)	
ITALIANO	MANUALE D'USO E MANUTENZIONE.....	25
	(Istruzioni originali)	

FIG. / BILD 1



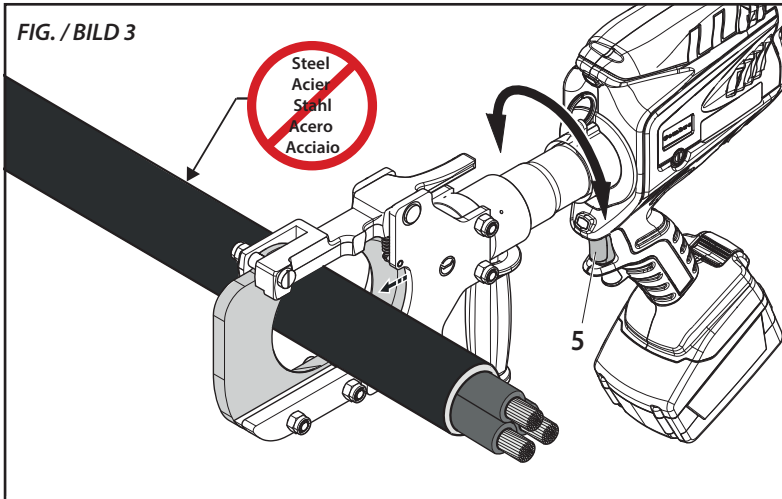
Battery  
Batterie  
Akku  
Bateria  
Batteria

FIG. / BILD 2



Cu Al  
Ø MAX. 95 mm (3-3/4")

FIG. / BILD 3



Steel  
Acier  
Stahl  
Acero  
Acciaio

FIG. / BILD 3a

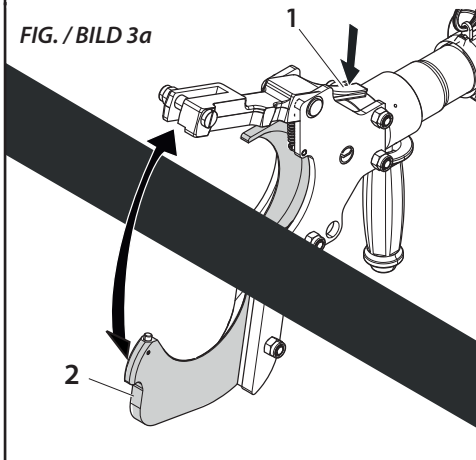
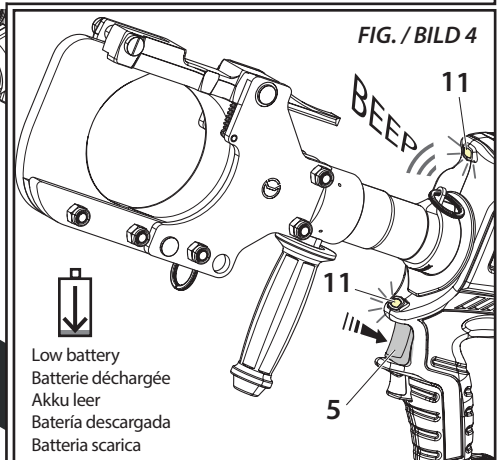
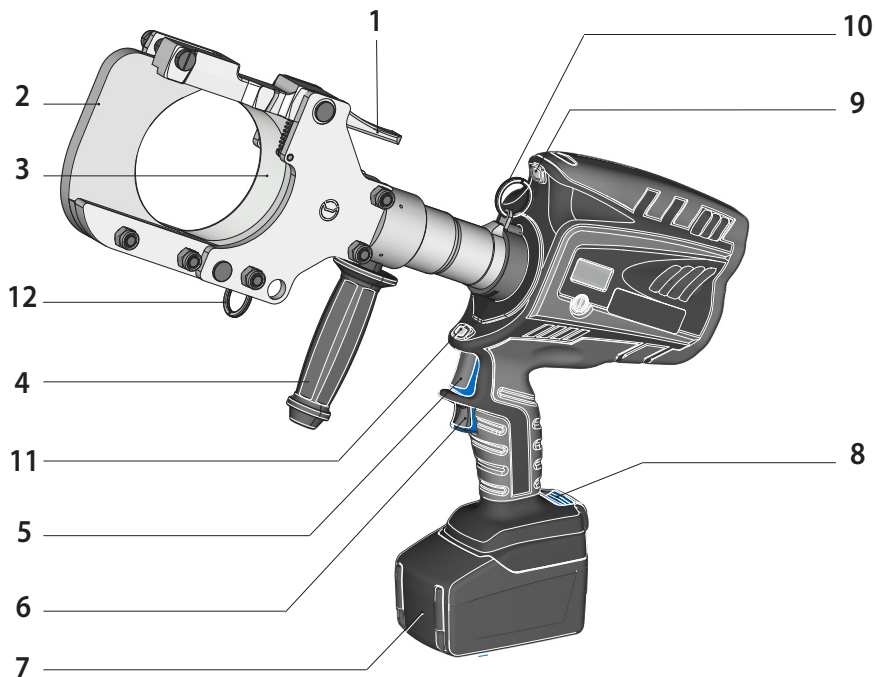


FIG. / BILD 4



Low battery  
Batterie déchargée  
Akku leer  
Bateria descargada  
Batteria scarica






FIG. / BILD 5






1	LOCKING LEVER / LEVIER DE VERROUILLAGE / VERRIEGELUNGSHEBEL / PALANCA DE ENGANCHE / LEVA DI AGGANCIO
2	UPPER BLADE / LAME SUPERIEURE / GEGENMESSER / CUCHILLA SUPERIOR / LAMA SUPERIORE
3	LOWER BLADE / LAME INFERIEURE / SCHNEIDMESSER / CUCHILLA INFERIOR / LAMA INFERIORE
4	HANDLE GRIP / POIGNEE / HANDGRIFF / EMPUÑADURA / IMPUGNATURA
5	OPERATING BUTTON / GACHETTE DE COMMANDE / STARTKNOPF / BOTÓN DE ACCIONAMIENTO / PULSANTE DI AZIONAMENTO
6	PRESSURE RELEASE BUTTON / GACHETTE DE DECOMPRESSION / DRUCKABLAUSSKNOPF / BOTÓN DE DESBLOQUEO PRESIÓN / PULSANTE DI RILASCIO
7	BATTERY / BATTERIE / AKKU / BATERÍA / BATTERIA
8	BATTERY RELEASE / DEBLOCAGE BATTERIE / AKKU ENTRIEGELUNG / DESBLOQUEO BATERÍA / SBLOCCO BATTERIA
9	LED WORKLIGHT / ECLAIRAGE PAR LED / LED ARBEITSLICHT / LUCES LED / ILLUMINAZIONE LED
10	RING FOR SHOULDER STRAP / ANNEAU POUR BANDOULIERE / TRAGERIEMENRING / ANILLO PARA CORREA / ANELLO AGGANCIO TRACCOLLA

# WARNING SYMBOLS - SYMBOLES D'AVERTISSEMENT - WARNSYMBOL - SÍMBOLOS DE ADVERTENCIA - SIMBOLI DI AVVERTENZA

## Tool - Outil - Werkzeug - Herramienta - Utensile

	<ul style="list-style-type: none"> <li>- Before using the tool, carefully read the instructions in this manual.</li> <li>- Avant d'utiliser cet outil, lire attentivement les instructions de cette notice.</li> <li>- Vor Inbetriebnahme unbedingt die Bedienungsanleitung durchlesen.</li> <li>- Antes de utilizar la herramienta, leer atentamente las instrucciones en este manual.</li> <li>- Prima di utilizzare l'utensile, leggere attentamente le istruzioni riportate in questo manuale.</li> </ul>
	<ul style="list-style-type: none"> <li>- Keep hands clear of cutting blades.</li> <li>- Au cours du coupage, tenir les mains éloignées des lames.</li> <li>- Während des Schneidens die Hände von den Messern fernhalten.</li> <li>- Durante el corte, tener las manos alejadas de las cuchillas.</li> <li>- Durante il taglio, tenere le mani lontane dalle lame.</li> </ul>
	<ul style="list-style-type: none"> <li>- Do not cut Steel.</li> <li>- Ne pas couper l'acier.</li> <li>- Keinen Stahl schneiden.</li> <li>- No cortar acero.</li> <li>- Non tagliare acciaio.</li> </ul>
	<ul style="list-style-type: none"> <li>- Always wear safety glasses and gloves when operating this tool.</li> <li>- Porter toujours les lunettes de protection et les gants de travail.</li> <li>- Immer mit Schutzbrille und Handschuhen bedienen.</li> <li>- Trabajar siempre con las gafas y guantes de seguridad.</li> <li>- Operare sempre con occhiali di protezione e guanti da lavoro.</li> </ul>
	<ul style="list-style-type: none"> <li>- User information (Directives 2011/65/EU and 2012/19/EU), see page 9.</li> <li>- Information pour les utilisateurs (Directives 2011/65/EU et 2012/19/EU) voir page 14.</li> <li>- Information für den Benutzer (Richtlinien 2011/65/EU und 2012/19/EU) siehe Seite 19.</li> <li>- Informe para los usuarios (Directivas 2011/65/EU y 2012/19/EU) vease página 24.</li> <li>- Informazione agli utenti (Direttive 2011/65/EU e 2012/19/EU) vedere pagina 29.</li> </ul>

## Battery - Batterie - Akku - Batería - Batteria

	<ul style="list-style-type: none"> <li>- Never throw batteries into fire or water.</li> <li>- Jamais jeter les batteries dans le feu ou dans l'eau.</li> <li>- Werfen Sie Akkus nicht in das Feuer oder Wasser.</li> <li>- Nunca tire las baterías al fuego o al agua.</li> <li>- Mai gettare le batterie nel fuoco o in acqua.</li> </ul>
	<ul style="list-style-type: none"> <li>- Always recycle the batteries.</li> <li>- Recycler toujours les batteries.</li> <li>- Verbrauchte Akkus stets dem Recycling zuführen.</li> <li>- Reutilizar siempre las baterías.</li> <li>- Riciclare sempre le batterie.</li> </ul>
	<ul style="list-style-type: none"> <li>- Do not discard batteries into domestic refuse or waste disposal.</li> <li>- Ne pas jeter de batteries dans une poubelle ou autre lieu non prévu à cet effet.</li> <li>- Verbrauchte Akkus nicht der allgemeinen Abfallentsorgung zuführen.</li> <li>- No tirar las baterías al cubo de basura o lugar parecido.</li> <li>- Non buttare le batterie fuori uso nei cestini della spazzatura o luoghi simili.</li> </ul>

# 1. GENERAL CHARACTERISTICS

		B-TC950	B-TC950E	B-TC950T	B-TC950A
<b>Application range</b>		suitable for cutting Copper, Aluminium or telephone cables			
Max. cutting diameter	mm (inches)	95 (3-3/4)			
Operating pressure	bar (psi)	900 (13,050)			
Dimensions (Fig. 6 page 30)	mm (inches)	518 x 468 x 83 (20.4 x 18.4 x 3.3)			
Weight with battery	kg (lbs)	7,8 (17.1)			
Motor	V DC	18			
Operating temperature	°C (°F)	-15 to +50 (+5 to +122)			
Recommended oil		ENI ARNICA 32 or equivalents			
Operating speed		twin speed operation and automatic switching from a rapid advancing speed of the ram to a slower, more powerful speed			
Safety		maximum pressure valve			
<b>Rechargeable battery</b>	V / Ah / Wh	18 / 5.2 / 93.6			
Type		CB1852L (Li-Ion)			
Weight	kg (lbs)	0,66 (1.45)			
<b>Battery charger</b>	type	ASC55-EU	ASC55 -UK	ASC55 -AUS/NZ	ASC55 -USA/CA
ASC30-36					
Input	V / Hz	220 - 240 / 50 - 60			115 / 60
	W	85			
<b>Acoustic noise</b> <sup>(1)</sup>					
L <sub>pA</sub>	dB (A)	73			
L <sub>pCPeak</sub>	dB (C)	94.5			
L <sub>WA</sub>	dB (A)	79			
<b>Vibration</b> <sup>(2)</sup>	m/s <sup>2</sup>	0.575 max			

<sup>(1)</sup> Directive 2006/42/EC, annexe 1, point 1.7.4.2 letter u

L<sub>pA</sub> = weighted continuous acoustic pressure level equivalent.

L<sub>pCPeak</sub> = maximum value of the weighted acoustic displacement pressure at the work place.

L<sub>WA</sub> = acoustic power level emitted by the machine.

<sup>(2)</sup> Directive 2006/42/EC, annexe 1, point 2.2.1.1

Weighted root mean square in frequency of the acceleration the upper limbs are exposed to for each biodynamic reference axis. Tests carried out in compliance with the indications contained in EN ISO 5349-1/2 Standard, and under operating conditions much more severe than those normally found.

**WARNING**

- ▶ *This tool has been specifically designed for cutting Copper or Aluminium cables. DO NOT ATTEMPT TO CUT STEEL ROPES OR STEEL REINFORCED CONDUCTORS.*
- ▶ *Do not use the tool for purposes other than those intended by CEMBRE. The operator should concentrate on the work being performed and be careful to maintain a balanced working position.*  
*Work in a clean, uncluttered area. Keep persons away from immediate work area.*
- ▶ *Inspect the blades before each use. Do not use damaged blades. Damaged blades can break and cause injury or damage to the tool.*
- ▶ *Before each use, verify the integrity of the tool; replace any worn, possibly damaged or missing parts with original CEMBRE spares.*
- ▶ *Wear eye protection. Metal chips can fly from blades when cutting.*
- ▶ *Do not cut live cables or conductors.*
- ▶ *The tool is unsuitable for continuous use and should be allowed to cool down following uninterrupted, successive cutting operations; for instance, having exhausted a fully charged battery in one session, delay battery replacement for a few minutes.*
- ▶ *Protect the tool from rain and moisture. Water will damage the tool and battery. Electro-hydraulic tools should not be operated in pouring rain.*



The part reference includes the following:

- ▶ Hydraulic cutting tool.
- ▶ Li-Ion rechargeable battery (2 pcs).
- ▶ Battery charger  
(model depends on the tool version).
- ▶ Shoulder strap.
- ▶ Metal carrying case.
- ▶ USB cable (Ref. to § 5).

## 2. INSTRUCTIONS FOR USE

The tool can be easily carried using either the handle or the shoulder strap attached to rings (12) (Ref. to Fig. 5).

**i** *Before starting any work, check the battery charge (Ref. to § 2.7) and recharge if necessary, following the instructions in the battery charger user manual.*

To replace the battery, remove it by pressing the release button (8) (Ref. to Fig. 1), then insert the new battery, sliding it into the guides until it locks.

## 2.1) Head rotation

For ease of operation, the tool head can rotate through 335°, allowing the operator to work in the most comfortable position (Ref. to Fig. 3).



*Do not attempt to rotate the head when the hydraulic circuit is pressurised.*

## 2.2) Setting

- ▶ Insert the conductor between the blades, up to the desired cutting point (Ref. to Fig. 3).
- ▶ For a running conductor, press the locking lever (1) and open the tool head (Ref. to Fig. 3a).



*Fully retract the lower blade (3) before attempting to open the tool head (Ref. to § 2.6).*

- ▶ With the conductor on the lower blade (3), close the tool head and fully secure the lever (1).



*Before commencing the cutting operation ensure that the lever (1) is fully secured: partial closure may damage the tool head.*

## 2.3) Blade advancement

- ▶ Press the operating button (5) (Ref. to Fig. 3) to activate the motor-pump, the ram will gradually move forward until the lower blade (3) touches the conductor.
- ▶ To halt the advancement, release the button (5) and the motor will cut out.



*Make sure the blade is exactly positioned on the desired cutting point otherwise re-open the blade following instructions as per § 2.6 and reposition it.*

## 2.4) Cutting

- ▶ Firmly hold the tool and operate the button (5) to gradually move the lower blade (4) to cut through the conductor.
- ▶ When the cut is performed, release the button (5), otherwise the maximum pressure relief valve has activated.

## 2.5) LED Worklights

- ▶ Whilst the tool is in operation, the work area is illuminated by two high luminosity LED Worklights that switch off automatically at the end of the cycle.

## 2.6) Blade retraction

- ▶ By operating the pressure release button (6), the ram will retract and open the lower blade.

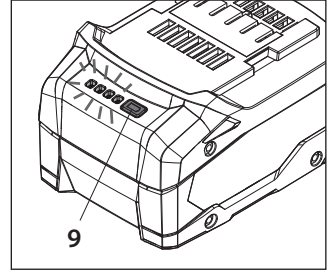
## 2.7) Battery status

► The battery is equipped with LED indicators that indicate the remaining battery life at any time by pressing the adjacent button (9):

4 LEDs illuminated: fully charged

2 LEDs illuminated: 50 % capacity

1 LED flashing: minimum charge, replace the battery.



**i** *Worklights (11) illuminated combined with an alarm audible when the operating button (5) is pressed (Ref. to Fig. 4), indicate that the battery voltage has dropped below a minimum safety threshold; under these conditions the tool will not start, and it is necessary to recharge or replace the battery. The approximate time to fully recharge a battery is about 100 minutes.*

**i** *After each working cycle, and after the extraction of the battery from the tool, an integrated battery cut-off device will operate after 70 s approx. Then the LED nearest to button (9) will flash 5 times each 14 s approx. The battery will be reactivated when it is reintroduced into the tool and the operating button is pressed.*

## 2.8) Using the battery charger

► Carefully follow the instructions in the battery charger user manual.

## 3. MAINTENANCE

The tool is robust, completely sealed, and requires very little daily maintenance. Compliance with the following points, should help to maintain its optimum performance:

### 3.1) Thorough cleaning

► Dust, sand and dirt are a danger for any hydraulic device. Every day, after use, the tool must be wiped with a clean cloth taking care to remove any residue, especially close to pivots and move able parts.

Do not use hydrocarbons to clean the rubber parts.

► Regularly lubricate the moving parts and pivot pins of the head with a few drops of oil.

### 3.2) Storage case

► When not in use, the tool should be stored and transported in the metal case, to prevent damage.

Metal case: VAL B-TC950, size 565x410x132 mm (22.2x16.1x5.2 in.), weight 6,7 kg (14.7 lbs).

### 3.3) Routine maintenance

When the tool reaches the predetermined number of hours worked, it will signal that routine maintenance is recommended.

**i** *The tool will continue to work however 15 sec. after use an alarm comprising 3 beeps combined with illumination of the worklights will signal that its return to CEMBRE for service is recommended (see § 6).*



## 4. BLADE REPLACEMENT (Ref. to Fig. 7 page 30)



*When changing blades, the battery must first be removed from the tool.*

After extended use, the blades may lose their cutting edge. Replace the blades as follows:

### ► Lower blade

- Press lever (85) and open upper blade assembly.
- Operate tool to advance the lower blade (3) until holding screw (18) is visible on the ram (12), then remove the battery from the tool.
- Using a flat blade screwdriver remove the holding screw (18) and release the lower blade (3).
- Insert the new blade and fit the holding screw.



*Before closing the tool head, release the oil pressure and retract the lower blade, otherwise the tool head assembly may hit and damage the lower blade.*

### ► Upper blade

- Press latch (85) and open upper blade assembly.
- Remove circlip (38) and pin (37).
- With a 13 mm spanner, undo M8 nuts (98) and remove two studs (99), blade guide (100) blade spacer (101) and upper blade (48), noting the order of assembly.
- With a punch, drive out the split pin (102), collecting the spring (103) and the pin (97).
- Assemble the spring (103) and the pin (97) on the new blade, locking the whole by the split pin (102).
- Fitting the new blade is a reversal of the above.

## 5. CONNECTION TO COMPUTER

The memory card integrated in the tool records operating data for transfer via the USB cable supplied. To view and manage this data, go to [www.cembre.com](http://www.cembre.com) and register in the dedicated area, then download the free CEMBRE software **CEM\_SWBT01**.

Keeping the Firmware of the tool updated, via free of charge download from here, will optimise the tool's performance.

- 
- Following information applies in member states of the European Union:

### **USER INFORMATION in accordance with Directives 2011/65/EU and 2012/19/EU.**

The "Not in the bin" symbol above when shown on equipment or packaging means that the equipment must, at the end of its life, be disposed of separately from other waste.

The separate waste collection of such equipment is organised and managed by the manufacturer.

Users wishing to dispose of such equipment must contact the manufacturer and follow the prescribed guidelines for its separate collection. Appropriate waste separation, collection, environmentally compatible treatment and disposal is intended to reduce harmful environmental effects and promote the reuse and recycling of materials contained in the equipment. Unlawful disposal of such equipment will be subject to the application of administrative sanctions provided by current legislation.

# 1. CARACTERISTIQUES GENERALES

		B-TC950	B-TC950E	B-TC950T	B-TC950A
<b>Domaine d'application</b>		conçu pour sectionner des câbles en cuivre, aluminium ou téléphoniques			
Diamètre maxi. de coupe	mm (inches)	95 (3-3/4)			
Pression de travail	bar (psi)	900 (13,050)			
Dimensions (Fig. 6 pag. 30)	mm (inches)	518 x 468 x 83 (20.4 x 18.4 x 3.3)			
Poids avec batterie	kg (lbs)	7,8 (17.1)			
Moteur	V DC	18			
Température de fonctionnement:	°C (°F)	-15 à +50 (+5 à +122)			
Huile recommandée:		ENI ARNICA 32 ou équivalents			
Avance rapide:		l'outil passe automatiquement de la vitesse rapide à la vitesse lente de coupe			
Sécurité		valve de surpression			
<b>Batterie rechargeable</b>	V / Ah / Wh	18 / 5.2 / 93.6			
Type		CB1852L (Li-Ion)			
Poids	kg (lbs)	0.66			
<b>Chargeur de batterie</b>	type	ASC55-EU	ASC55 -UK	ASC55 -AUS/NZ	ASC55 -USA/CA
ASC30-36	V / Hz	220 - 240 / 50 - 60			115 / 60
Alimentation	W	85			
<b>Bruit aérien sonore <sup>(1)</sup></b>					
L <sub>pA</sub>	dB (A)	73			
L <sub>pCPeak</sub>	dB (C)	94.5			
L <sub>WA</sub>	dB (A)	79			
<b>Vibrations <sup>(2)</sup></b>	m/s <sup>2</sup>	0.575 maxi			

<sup>(1)</sup> Directive 2006/42/CE, annexe 1, point 1.7.4.2, lettre u

L<sub>pA</sub> = niveau de pression sonore continue équivalente pondérée A sur le poste de travail.

L<sub>pCPeak</sub> = valeur de pression sonore instantanée pondérée C sur le poste de travail.

L<sub>WA</sub> = niveau de puissance acoustique dégagée par la machine.

<sup>(2)</sup> Directive 2006/42/CE, annexe 1, point 2.2.1.1

Valeur quadratique moyenne pondérée en fréquence de l'accélération à laquelle sont exposés les membres supérieurs pour chaque axe biodynamique de référence. Relevés réalisés suivant les indications de la Norme EN ISO 5349-1/2, dans des conditions de service largement représentatives des conditions d'emploi normales.

## AVERTISSEMENT

- ▶ Cet outil a été étudié spécifiquement pour la coupe des câbles en cuivre ou aluminium. **NE JAMAIS COUPER DE CÂBLE EN ACIER, ALMELEC OU ALUMINIUM-ACIER.**
- ▶ Ne pas utiliser cet outil à des fins différentes que celles prévues par le constructeur. Restez bien attentif tout au long du travail, ne soyez pas distrait, ne perdez pas l'équilibre pendant l'utilisation.  
Travailler dans un espace propre et ordonné. Eloigner les personnes de la zone de travail.
- ▶ Contrôler les lames avant chaque utilisation. Ne pas utiliser l'outil avec une lame endommagée. Les lames endommagées peuvent abîmer l'outil.
- ▶ Remplacer les pièces usagées et éventuellement endommagées ou manquantes avec des pièces de rechange originales CEMBRE.
- ▶ Toujours porter une visière de protection pendant les opérations de coupe, car de petits éclats de câbles peuvent être propulsés.
- ▶ Ne pas couper de câble sous tension électrique.
- ▶ L'outil n'est pas conçu pour une utilisation en continu; après avoir effectué une quantité de coupe consécutives à partir d'une batterie complètement chargée, au moment du remplacement de la batterie, nous suggérons d'observer une période d'arrêt pour permettre le refroidissement de l'outil.
- ▶ Protéger l'outil de la pluie et de l'humidité. L'eau pourrait endommager l'outil et la batterie, les outils hydro-électriques ne devraient pas être utilisés sous la pluie.



L'ensemble comprend:

- ▶ Coupe-câble hydraulique.
- ▶ Batterie rechargeable Li-Ion (2 pcs).
- ▶ Chargeur de batterie (différent en fonction de la version de l'outil).
- ▶ Bandoulière.
- ▶ Coffret métallique de rangement.
- ▶ Câble USB (Voir § 5).

## 2. INSTRUCTIONS D'UTILISATION

L'outil peut être transporté facilement grâce à sa poignée et à la bandoulière accrochée par les anneaux (12) (Réf a Fig. 5).



*Avant de commencer toute opération, contrôler l'état de charge de la batterie (voir § 2.7) et, si nécessaire, la recharger en suivant les instructions contenues dans le manuel d'utilisation du chargeur de batteries.*

Pour remplacer la batterie, la retirer en appuyant sur le mécanisme de déblocage (8) (Réf. a Fig. 1) puis introduire la nouvelle batterie en la faisant coulisser sur les guides jusqu'au blocage complet.

### 2.1) Rotation de la tête

- ▶ La tête de l'outil pivote de 335° par rapport au corps, permettant à l'utilisateur de travailler dans la meilleure position (Réf. a Fig. 3).



*Ne pas forcer la rotation de la tête, lorsque le circuit hydraulique est sous pression.*

### 2.2) Préparation

- ▶ Positionner le câble entre les lames de façon à ce qu'elles soient en correspondance avec la position de coupe souhaitée (Réf. a Fig. 3).
- ▶ Si le câble est passant, il sera alors nécessaire d'appuyer sur le levier de verrouillage (1) pour permettre la rotation et l'ouverture de la tête (Réf. a Fig. 3a).



*L'ouverture de la tête ne devra être effectuée qu'avec la lame inférieure (1) complètement baissée.*

- ▶ Poser la lame inférieure (3) contre le câble à couper, refermer la tête en la verrouillant avec le levier (1).



*Avant d'effectuer l'opération de coupe, s'assurer que le levier (4) soit parfaitement enclenché.*

### 2.3) Avance des lames

- ▶ Appuyer sur la gâchette de commande (5) (Réf. a Fig. 3) pour mettre en marche le groupe moteur-pompe; la lame inférieure commence l'approche du câble.
- ▶ La gâchette de commande relâchée, le moteur et l'avance de la lame inférieure cessent immédiatement.



*S'assurer que les lames sont bien positionnées sur la zone à couper, sinon desserrer les lames en suivant les instructions du § 2.6 et repositionner le câble.*

### 2.4) Coupe

- ▶ Tenez l'outil fermement et appuyer sur la gâchette de commande (5) pour mettre en marche le moteur; la lame inférieure avance progressivement jusqu'à ce que le câble soit coupé complètement.
- ▶ Relâchez la gâchette de commande (5) lorsque la coupe est effectuée; si on maintient la gâchette pressée après avoir fini de couper le câble, on entendra rapidement se déclencher la valve de surpression.

### 2.5) Led

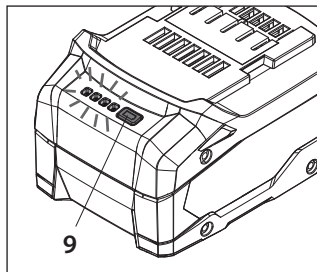
- ▶ Lors de l'actionnement de l'outil, la zone de travail est éclairée au moyen de deux LED haute luminosité qui s'éteignent automatiquement à la fin du cycle.

### 2.6) Réouverture des lames

- ▶ En appuyant à fond sur la gâchette de déblocage (6), on provoque le retour du piston et par conséquent l'ouverture de la lame.

## 2.7) Autonomie de la batterie

- ▶ La batterie est équipée d'indicateurs à LED qui permettent de contrôler, à tout moment, son autonomie résiduelle en appuyant sur le bouton (9):
  - 4 led allumées: autonomie maximale
  - 2 led allumées: autonomie à 50 %
  - 1 led clignotante: autonomie minimale, remplacer la batterie.



**i** *L'éclairage des deux Led (11) associé à l'avertisseur sonore lorsqu'on appuie sur la gâchette de commande (5) (Réf. a Fig. 4) indique que la batterie est déchargée et que sa tension est descendue au-dessous du seuil minimal de sécurité; dans cette situation, l'outil ne démarre pas, il est donc nécessaire de recharger ou de remplacer la batterie.*

*À titre indicatif, le délai de recharge complète de la batterie correspond à environ 100 min.*

**i** *A la fin de chaque cycle de travail comme à l'extraction de la batterie de l'outil, un dispositif électronique arrête automatiquement la batterie après environ 70 s.*

*Pour confirmer cette opération, la led la plus proche du bouton (9) clignotera 5 fois en 14 s (approximativement). La batterie est réactivée dès sa réintroduction dans l'outil, ou en appuyant sur la gâchette de commande.*

## 2.8) Utilisation du chargeur de batterie

- ▶ Suivre attentivement les instructions indiquées sur le manuel.

## 3. ENTRETIEN

L'outil est robuste, complètement scellé et ne nécessite aucune préoccupation ou attention particulière. Les recommandations qui suivent sont néanmoins souhaitables pour assurer une longévité optimum:

### 3.1) Nettoyage élémentaire

- ▶ Veiller à protéger l'outil de la poussière, du sable et de la boue qui sont un danger à tout système hydraulique. Chaque jour après utilisation, l'outil doit être nettoyé à l'aide d'un chiffon propre, tout particulièrement aux endroits de pièces mobiles.
  - Ne jamais utiliser d'hydrocarbures pour le nettoyage des parties en caoutchouc.
- ▶ Lubrifier régulièrement les parties mobiles et les axes de la tête avec quelques gouttes d'huile.

### 3.2) Rangement

- ▶ Au repos, pour protéger l'outil des coups accidentels et de la poussière, il convient de le ranger dans le coffret métallique. Ce coffret type VAL B-TC950 a comme dimensions 565x410x132 mm (22.2x16.1x5.2 in.) et un poids de 6,7 kg (14.7 lbs).

### 3.3) Entretien de routine

Lorsqu'on atteint le nombre prédéterminé d'heures de travail, l'outil va signaler la nécessité d'effectuer l'entretien de routine.

**i** *Après 15 secondes de l'exécution du dernier cycle, la nécessité de procéder à l'entretien de routine est signalée par allumages intermittents répétés trois fois des LED associé à l'avertisseur sonore. L'outil continue par ailleurs à travailler normalement; mais il est recommandé de le renvoyer à CEMBRE pour une révision complète (voir § 6).*

## 4. CHANGEMENT DES LAMES (Voir Fig. 47 page 30)



*Le changement des lames doit être effectué avec l'outil dépourvu de batterie.*

Il peut arriver qu'une utilisation prolongée ou non appropriée cause la perte d'affûtage des lames ou leur endommagement. Le changement des lames est cependant très simple.

### ► **Lame inférieure**

- Ouvrir la tête en appuyant sur le levier de verrouillage (85).
- Actionner le moteur pour faire avancer la lame inférieure (36) jusqu'à ce que soit visible sa vis de fixation (35) sur le piston (88) et enlever la batterie.
- A l'aide d'un tournevis, dévisser la vis (35) de façon à libérer la lame (36).
- Enlever la vieille lame de son logement, introduire la lame neuve et la bloquer avec la même vis.



*Avant de refermer la lame supérieure, relâcher la pression d'huile, de façon à ce que la lame inférieure redescende complètement, pour éviter qu'elle soit heurtée et endommagée par la supérieure.*

### ► **Lame supérieure**

- Ouvrir la tête en appuyant sur le levier de verrouillage (85).
- Après avoir ôté l'anneau élastique (38) et l'axe (37), démonter la lame de la tête de l'outil.
- A l'aide d'une clé de 13 mm, ôter les écrous (98) et leurs prisonniers (99) qui fixent le guide (100) et l'entretoise (101) sur la lame (48).
- Par un poinçon expulser la goupille (102), en récupérant le ressort (103) et le pivot (97).
- Monter le ressort (103) et le pivot (97) sur la nouvelle lame, en bloquant tout par la goupille (102).
- Monter le guide (100), l'entretoise (101) et les fixer par les prisonniers (99) et les écrous (98) relatifs.
- Monter la nouvelle lame sur la tête de l'outil et la fixer par l'axe (37) et son anneau élastique (38).

## 5. CONNEXION À L'ORDINATEUR

Le fichier de mémoire intégrée dans l'outil permet d'enregistrer les paramètres de fonctionnement et de pouvoir les transférer vers un ordinateur par l'intermédiaire du câble USB fourni. Pour visualiser et gérer les données mémorisées, le logiciel CEMBRE CEM\_SWBT01 est disponible gratuitement après enregistrement dans le domaine réservé du site [www.cembre.com](http://www.cembre.com). Dans ce domaine réservé, il sera alors possible de trouver les mises à jour éventuelles des firmwares permettant à vos propres outils une meilleure efficacité et d'améliorer leurs performances.

- 
- Les informations suivantes sont destinées aux pays membres de l'Union Européenne:

### **INFORMATION POUR LES UTILISATEURS aux termes des Directives 2011/65/EU et 2012/19/EU.**

Le symbole "poubelle barrée" apposé sur l'appareil ou sur son emballage indique que le produit, à la fin de sa vie utile, doit être recueilli séparément des autres déchets.

La collecte sélective du présent appareil en fin de vie est organisée et gérée par le producteur. L'utilisateur qui voudra se défaire du présent appareil devra par conséquent contacter le producteur et suivre le système que celui-ci a adopté pour consentir la collecte séparée de l'appareil en fin de vie. La collecte sélective adéquate pour l'envoi successif de l'appareil destiné au recyclage, au traitement et à l'élimination compatible avec l'environnement contribue à éviter les effets négatifs possibles sur l'environnement et sur la santé et favorise la réutilisation ou le recyclage des matériaux dont l'appareil est composé. L'élimination abusive du produit par le détenteur comporte l'application des sanctions administratives prévues par les lois en vigueur.

# 1. ALLGEMEINE EIGENSCHAFTEN

		B-TC950	B-TC950E	B-TC950T	B-TC950A
<b>Anwendungsbereich</b>		Geeignet zum Schneiden von Kupfer-, Aluminium- und Telefonkabeln			
Max. Schneiddurchmesser	mm (inches)	95 (3-3/4)			
Arbeitsdruck	bar (psi)	900 (13,050)			
Abmessungen (Bild 6 S.30)	mm (inches)	518 x 468 x 83 (20.4 x 18.4 x 3.3)			
Gewicht inkl. Akku	kg (lbs)	7,8 (17.1)			
Motor	V DC	18			
Betriebstemperatur:	°C (°F)	-15 bis +50 (+5 bis +122)			
Empfohlenes Öl:		ENI ARNICA ISO 32 oder ähnliches			
Kolbenvorschub:		Das Werkzeug ist mit einer Doppelkolbenhydraulik ausgerüstet. Beim Beginn des Arbeitsvorganges wird automatisch auf den langsameren Arbeitshub umgeschaltet			
Sicherheit:		Überdruckventil			
<b>Wiederaufladbarer Akku</b>	V / Ah / Wh	18 / 5.2 / 93.6			
Typ		CB1852L (Li-Ion)			
Gewicht	kg (lbs)	0,66 (1.45)			
<b>Akkuladegerät</b>	Typ	ASC55-EU	ASC55-UK	ASC55-AUS/NZ	ASC55-USA/CA
ASC30-36	V / Hz	220 - 240 / 50 - 60			115 / 60
Eingangsspannung	W	85			
<b>Lärmschutzbestimmung <sup>(1)</sup></b>					
L <sub>pA</sub>	dB (A)	73			
L <sub>pCPeak</sub>	dB (C)	94.5			
L <sub>WA</sub>	dB (A)	79			
<b>Vibrationen <sup>(2)</sup></b>	m/s <sup>2</sup>	0.575 max			

DEUTSCH

<sup>(1)</sup> Richtlinie 2006/42/EG, Anhang 1, Nummer 1.7.4.2, Buchstabe u

L<sub>pA</sub> = Stufe konstanter Emissionsschalldruckpegel entsprechend Gewichtung A am Arbeitsplatz.

L<sub>pCPeak</sub> = maximaler Emissionsschalldruckpegel entsprechend Gewichtung C am Arbeitsplatz.

L<sub>WA</sub> = Emissionsschalldruckpegel durch das Gerät

<sup>(2)</sup> Richtlinie 2006/42/EG, Anhang 1, Nummer 2.2.1.1

Der durchschnittliche Schwingungsgesamtwert dem die oberen Körpergliedmaßen ausgesetzt sind, wurde technisch vergleichbar nach EN ISO 5349-1/2 an einer repräsentativen Maschine ermittelt und übersteigt nicht den vorgeschriebenen Wert.



## HINWEISE

- ▶ *Das Werkzeug ist zum Schneiden von Kupfer-, Aluminium- und Telefonkabeln geeignet. NIEMALS STAHLSEILE ODER ALUMINIUM-STAHL SEILE SCHNEIDEN.*
- ▶ *Verwenden Sie das Akkuwerkzeug ausschließlich für den vom Hersteller vorgesehenen Anwendungszweck.  
Arbeiten Sie konzentriert und lassen Sie sich während des Einsatzes nicht ablenken. Nehmen Sie zur Arbeit eine sichere und standfeste Arbeitsposition ein!  
Halten Sie den Arbeitsbereich immer sauber. Weitere Personen vom Arbeitsbereich fernhalten.*
- ▶ *Überprüfen Sie die Schneidmesser vor jedem Gebrauch. Verwenden Sie nie ein Werkzeug mit beschädigten Schneidmessern. Defekte Schneidmesser könnten das Werkzeug stark beschädigen.*
- ▶ *Vor jeder Benutzung die Unversehrtheit des Kopfes überprüfen. Verschleißteile, beschädigte oder fehlende Teile durch Originalersatzteile von CEMBRE ersetzen.*
- ▶ *Tragen Sie immer eine Schutzbrille, da sich beim Schneiden Metallsplinter lösen können.*
- ▶ *Es dürfen keine unter Spannung stehenden Kabel oder Seile geschnitten werden.*
- ▶ *Die Akkuwerkzeuge sind nicht für einen Dauereinsatz geeignet. Wenn ein voll geladener Akku durch hintereinander ausgeführte Schnitte getauscht werden muss, empfehlen wir vor dem Akkuwechsel das Werkzeug eine angemessene Zeit abkühlen zu lassen.*
- ▶ *Das Werkzeug vor Regen und Feuchtigkeit schützen. Wasser könnte das Werkzeug und den Akku beschädigen. Elektrohydraulische Werkzeuge sollten nicht im Regen oder unter fließendem Wasser eingesetzt werden.*

DEUTSCH



Zum Lieferumfang unter dieser Bezeichnung gehören folgende Teile:

- ▶ Hydraulisches Akku-Schneidwerkzeug.
- ▶ 2 Stück wiederaufladbare Li-Ion Akkus.
- ▶ Ladegerät (entsprechend der Länderkonfiguration).
- ▶ Trageriemen.
- ▶ Metallkoffer.
- ▶ USB-Kabel (siehe Punkt 5).

## 2. BEDIENUNGSHINWEISE

Das Werkzeug kann bequem am Griff oder mit dem Trageriemen, der am Ringen (Bild 5 T.12) befestigt ist, transportiert werden.



**i** *Überprüfen Sie vor jedem Arbeitsvorgang den Ladezustand der Akkus (siehe Pkt. 2.7) und laden Sie bei Bedarf die Akkus entsprechend den Anweisungen in der Bedienungsanleitung des Akkuladegerätes auf.*

Drücken Sie für den Akkuaustausch auf die Entriegelung (8) (siehe Bild 1) und führen Sie den neuen Akku bis zum Einrasten ein.

### 2.1) Drehbewegung des Kopfes

► Das Werkzeug ist mit einem Kopfausgerüstet, der um 335° drehbar ist und somit ein komfortables Arbeiten ermöglicht (siehe Bild 3).

**!** *Der Kopf darf keinesfalls in eine andere Position gedreht werden, während das Werkzeug unter Druck steht.*

### 2.2) Vorbereitung

► Das zu schneidende Kabel am gewünschten Schnittpunkt zwischen den Schneidmessern positionieren (siehe Bild 3).

► Bei einem durchgehendem Kabel drücken Sie den Verriegelungshebel (1). Das Gegenmesser wird durch Drehung des Schneidkopfes zurückgeklappt (siehe Bild 3a).

**i** *Das Öffnen des Gegenmessers darf nur mit ganz zurückgefahrenem Schneidmesser (3) erfolgen (siehe Pkt. 2.6).*

► Das Schneidmesser (3) um das zu schneidende Kabel legen. Den Schneidkopf durch einrasten des Verriegelungshebels (1) schließen.

**!** *Vor dem Schneiden hat man sich zu vergewissern, daß der Verriegelungshebel (1) einwandfrei eingerastet ist. Ist der Schneidkopf nur teilweise geschlossen, könnte dieser beschädigt werden.*

### 2.3) Schneidvorgang

► Durch Drücken des Startknopfes (5) (siehe Bild 3) wird der Pumpenmotor gestartet, wobei sich das Schneidmesser dem Kabel annähert.

► Das Zusammenfahren der Schneidmesser kann durch Loslassen des Startknopfes (5) gestoppt werden.

**i** *Stellen Sie sicher, dass sich die Schneidmesser genau auf dem zu schneidenden Punkt befinden. Ist dies nicht der Fall, sind die Schneidmesser den Anweisungen folgend (siehe Pkt. 2.6) wieder erneut zu öffnen und zu positionieren.*

### 2.4) Schneiden

► Halten Sie das Werkzeug fest und durch Drücken des Startknopfes (5) beginnt der Motor zu arbeiten, der Kolben lässt das Schneidmesser allmählich nach vorn fahren, bis das Kabel vollständig geschnitten worden ist.

► Wenn der Schnitt ausgeführt ist, den Startknopf (5) loslassen. Wenn der Startknopf weiter betätigt wird, arbeitet das Werkzeug weiter bis zum Abschalten durch das Überdruckventil.

### 2.5) LED

► Während der Betätigung des Werkzeugs wird der Schneidbereich von zwei LED-Leuchten mit hoher Helligkeit ausgeleuchtet, die sich am Zyklusende automatisch abschalten.

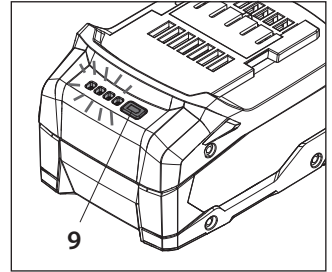
### 2.6) Zurückfahren des Schneidmessers

► Drücken Sie kräftig des Druckablassknopf (6), der sich unterhalb des Startknopfes (5) befindet. Dadurch fährt der Kolben zurück und das Schneidmesser gibt das Kabel frei.

## 2.7) Akkuladung

► Der Akku ist mit LED-Anzeigen ausgestattet, die jederzeit über die verbleibende Akkulaufzeit Auskunft gibt, indem man auf die Taste (9) drückt:

- 4 LED eingeschaltet: Maximale Ladung
- 2 LED eingeschaltet: Ladung zu 50 %
- 1 LED blinkend: Minimale Ladung, Akku austauschen bzw. aufladen.



**i** Wenn der Akku nicht mehr ausreichende Ladung hat, wird beim Betätigen des Startknopfes (5) über die LED (11) Leuchten zusammen mit einem akustischen Signal (siehe Bild 4) das Erreichen des Mindestsicherheitsniveau signalisiert. Unter diesen Bedingungen kann das Werkzeug nicht in Betrieb genommen werden. Laden Sie den Akku auf oder tauschen Sie ihn aus. Ein vollständiger Ladevorgang eines leeren Akkus dauert etwa 100 Minuten.

**i** Nach jedem Arbeitszyklus und wie auch nach der Entfernung des Akkus schaltet es durch die eingebaute Elektronik nach ca. 70s automatisch ab. Als Bestätigung des Vorganges wird die LED bei der Taste (9) 5-mal hintereinander innerhalb von ca. 14s blinken. Durch das Einführen des Akkus in das Werkzeug wird der Akku wieder aktiviert oder durch die Betätigung des Startknopfes.

## 2.8) Verwendung des Ladegerätes

► Die in der Bedienungsanleitung gegebenen Hinweise sind zu beachten.

## 3. WARTUNG

Das Werkzeug ist robust und benötigt keine spezielle Pflege.

Zur Erhaltung der Garantieansprüche beachten Sie folgende Hinweise:

### 3.1) Pflege

- Dieses hydraulische Werkzeug sollte vor starker Verschmutzung geschützt werden, da dies für ein hydraulisches System gefährlich ist. Jeden Tag nach der Arbeit sollte das Werkzeug mit einem Tuch von Schmutz und Staub gereinigt werden, besonders die beweglichen Teile. Verwenden Sie keine Kohlenwasserstoffe (z.B. Teilereiniger, Bremsenreiniger) zum Reinigen der Gummiteile.
- Alle beweglichen Teile und Bolzen regelmäßig mit wenigen Tropfen Öl einölen.

### 3.2) Lagerung

- Wenn das Werkzeug nicht benötigt wird, sollte es in dem Metallkoffer gelagert werden, und ist somit gegen Beschädigungen wie durch Stoß und Staub geschützt. Der Metallkoffer (Typ VAL B-TC950) hat folgende Abmessungen: 565x410x132 mm (22.2x16.1x5.2 in.) und ein Gewicht von 6,7 kg (14.7 lbs).

### 3.3) Wartung

Sobald die vorgegebene Anzahl der maximalen Arbeitsstunden erreicht sind, signalisiert das Werkzeug die damit fällige Wartung.

**i** 15 Sekunden nach Ausführung des letzten Zyklus, wird eine bevorstehende Wartung, dreimal hintereinander durch ein unterbrechendes Aufblinken der LED's, zusammen mit einem akustischen Warnsignal angekündigt.

Das Werkzeug wird weiterhin normal arbeiten. Es wird das Einsenden des Werkzeuges an CEMBRE empfohlen, für eine komplette Überholung (siehe Pkt. 6).

## 4. SCHNEIDMESSER WECHSELN (siehe Bild 7 Seite 30)



*Der Wechsel der Schneidmesser muss mit ausgebautem Akku erfolgen.*

Es kann vorkommen, dass die Schneidmesser nach längerem Gebrauch oder bei Fehlanwendung abgenutzt, unscharf oder beschädigt werden.

Der Austausch der alten Schneidmesser durch neue Schneidmesser ist einfach:

### ► Schneidmesser

- Den Kopf durch Betätigung des Öffnungshebels (85) öffnen.
- Den Motor betätigen und das Schneidmesser (36) nach vorne fahren, bis die Stiftschraube (35) zur Befestigung des Messers auf dem Kolben (88) sichtbar ist und entfernen Sie den Akku.
- Die Stiftschraube (35) mit einem Schraubenzieher herausrauben und die Schneidmesser (36) auswechseln.
- Anschließend mit der Stiftschraube das neue Schneidmesser wieder befestigen.



*Vor dem Schließen des Schneidkopfes, muss der Druck des Ventils abgelassen werden, damit das Schneidmesser komplett zurückgefahren wird. Wird das nicht beachtet würde das Gegenmesser gegen die Führung des Schneidmessers stoßen und es beschädigen.*

### ► Gegenmesser

- Durch das Betätigen des Öffnungshebels (85) das Gegenmesser öffnen.
- Durch das Lösen des Federringes (38) und des Befestigungsbolzen (37) lässt sich das Gegenmesser (48) demontieren.
- Mit 13-er Sechskantschlüssel die Muttern (98) lösen und die Zwischenstücke (101) vom Gegenmesser entfernen, wie auch die Messerführung (100).
- Mit einem Dorn den Federstift (102) entfernen, die Feder (103) und den Bolzen (97) sichern.
- Auf das neue Gegenmesser die Feder (103), und den Bolzen (97) montieren und mit dem stift (102) sichern.
- Die Zwischenstücke (101), die Messerführung (100) und Muttern (98) auf dem neuen Gegenmesser befestigen.
- Das neue Gegenmesser auf den Kopf mit dem Bolzen (37) und seinem Federring (38) befestigen.

## 5. ANSCHLUSS AN EINEN COMPUTER

Der im Werkzeug integrierte Speicher ermöglicht die Betriebsparameter zu speichern und mit dem mitgelieferten USB-Kabel auf einen Computer zu übertragen.

Um die Daten vom Werkzeug zu übertragen und zu verwalten, müssen Sie unter [www.cembre.com](http://www.cembre.com) die CEMBRE Software **CEM\_SWBT01** nach einer Registrierung downloaden.

Hier finden Sie auch mögliche Firmware Updates für die Platine des Werkzeuges, um eine bestmögliche Leistung und Effizienz des Werkzeuges zu ermöglichen.

### – INFORMATION FÜR DEN BENUTZER gemäß der Richtlinien 2011/65/EU und 2012/19/EU.

Das durchgekennzeichnete Zeichen des Mülleimers, das auf dem Gerät oder seiner Verpackung angebracht ist, zeigt an, dass das Produkt am Ende seiner Lebenszeit von der allgemeinen Abfallentsorgung getrennt werden muss. Die getrennte Sammlung des vorliegenden, zu entsorgenden Gerätes, wird vom Hersteller organisiert und verwaltet. Der Eigentümer, der das Gerät zu entsorgen wünscht, muss sich daher mit dem Hersteller in Verbindung setzen und die von ihm ausgewählte Methode, für die getrennte Sammlung des zu entsorgenden Gerätes, befolgen.

Eine angemessene getrennte Sammlung zur Vorbereitung des Altgerätes für Recycling, Aufbereitung und für eine umweltfreundliche Entsorgung, trägt dazu bei, mögliche negative Auswirkungen auf die Umwelt und auf den Gesundheitszustand zu vermeiden, und begünstigt die Wiederverwertung und das Recycling der Materialien des Gerätes. Bei widerrechtlicher Entsorgung des Produktes durch den Benutzer, werden die vom Gesetz vorgesehene Verwaltungsanktionen angewandt.

# 1. CARACTERÍSTICAS GENERALES

		B-TC950	B-TC950E	B-TC950T	B-TC950A
<b>Campo de aplicación:</b>		idónea para cortar cables de cobre, aluminio así como de telecomunicaciones			
Diámetro max. de corte	mm (inches)	95 (3-3/4)			
Presión de trabajo	bar (psi)	900 (13,050)			
Dimensiones (Fig. 6 pág. 30)	mm (inches)	518 x 468 x 83 (20.4 x 18.4 x 3.3)			
Peso con batería	kg (lbs)	7,8 (17.1)			
Motor	V DC	18			
Temp. de funcionamiento	°C (°F)	-15 a +50 (+5 a +122)			
Aceite recomendado		ENI ARNICA 32 ó equivalentes			
Velocidad de avance		son dos: una rápida y otra más lenta de trabajo El paso de una a otra velocidad es automático			
Seguridad		válvula de sobrepresión			
<b>Batería recargable</b>	V / Ah / Wh	18 / 5.2 / 93.6			
Tipo		CB1852L (Li-Ion)			
Peso	kg (lbs)	0,66 (1.45)			
<b>Cargador de batería</b>	tipo	ASC55-EU	ASC55-UK	ASC55-AUS/NZ	ASC55-USA/CA
ASC30-36					
Alimentación	V / Hz	220 - 240 / 50 - 60			115 / 60
	W	85			
<b>Ruido aéreo <sup>(1)</sup></b>					
L <sub>pA</sub>	dB (A)	73			
L <sub>pCPeak</sub>	dB (C)	94.5			
L <sub>WA</sub>	dB (A)	79			
<b>Vibraciones <sup>(2)</sup></b>	m/s <sup>2</sup>	0.575 max			

<sup>(1)</sup> Directiva Europea 2006/42/CE, anexo 1, punto 1.7.4.2, letra u

L<sub>pA</sub> = nivel de presión acústica continua equivalente ponderado A en el puesto de trabajo.

L<sub>pCPeak</sub> = valor máximo de la presión acústica instantánea ponderada C en el puesto de trabajo.

L<sub>WA</sub> = nivel de potencia acústica emitida por la máquina.

<sup>(2)</sup> Directiva Europea 2006/42/CE, anexo 1, punto 2.2.1.1

Valor cuadrático medio ponderado en frecuencia, de la aceleración a la que están expuestos los miembros superiores para cada eje biodinámico de referencia. Medidas realizadas según las indicaciones de la Norma EN ISO 5349-1/2, en condiciones de utilización ampliamente representativas respecto a las que se encuentran normalmente.



## ADVERTENCIAS

- ▶ *Esta herramienta ha sido concebida específicamente para cortar cables de cobre y de aluminio. NO EMPLEARLA BAJO NINGÚN CONCEPTO CON CONDUCTORES DE ACERO O DE ALUMINIO-ACERO.*
- ▶ *No utilice la herramienta para fines diferentes de los previstos por el fabricante. Prestar atención en el trabajo, no distraerse y no perder el equilibrio durante la utilización. Operar en área de trabajo limpia y despejada. Mantener alejadas las personas del área de trabajo.*
- ▶ *Inspeccionar las cuchillas antes de utilizar la herramienta. No utilizar la herramienta con las cuchillas dañadas. Las cuchillas dañadas pueden causar la rotura de la herramienta.*
- ▶ *Sustituir las partes desgastadas, dañadas o ausentes con piezas de recambio originales CEMBRE.*
- ▶ *Operar siempre con las gafas de trabajo; durante las operaciones de corte pueden originarse esquirlas metálicas.*
- ▶ *No cortar conductores o cables con tensión eléctrica.*
- ▶ *La herramienta no está preparada para un empleo continuo; una vez ejecutado el número de operaciones máximo permitido por una batería, a la hora de cambiarla, aconsejamos un oportuno período de pausa para permitir el enfriamiento de la herramienta.*
- ▶ *Proteger la herramienta de la lluvia y la humedad. El agua podría dañar la herramienta y la batería. Las herramientas electrohidráulicas no deberían funcionar bajo la lluvia o debajo del agua.*



La referencia identifica el conjunto formado por:

- ▶ Herramienta hidráulica de corte.
- ▶ Batería recargable Li-Ion (2 uds).
- ▶ Cargador de batería (diferente según el modelo de la herramienta).
- ▶ Correa de transporte.
- ▶ Caja metálica para almacenaje.
- ▶ Cable USB (Ref. al § 5).

## 2. INSTRUCCIONES DE USO

La herramienta puede ser transportada fácilmente por medio del asa o la correa de transporte fijada a los anillos (12) (Ref. a Fig. 5).



*Antes de iniciar cualquier trabajo, compruebe el estado de carga de las baterías (Ref. al § 2.7). Si es necesario, recárguelas siguiendo las instrucciones del manual de uso del cargador.*

Para sustituir la batería, retírela pulsando el desbloqueo (8) (Ref. a Fig. 1) y luego inserte la nueva batería deslizándola por las guías hasta su tope.

## 2.1) Rotación de la cabeza

► La cabeza de la herramienta puede rotar 335° respecto al cuerpo, permitiendo al operario realizar el trabajo en la posición más adecuada (Ref. a Fig. 3).



*No fuerce la cabeza, intentando rotarla, mientras el circuito hidráulico esté presurizado.*

## 2.2) Preparación

► Colocar el conductor entre las cuchillas de manera que éstas se encuentren en el punto de corte deseado (Ref. a Fig. 3).

► Si el conductor es pasante, será necesario abrir la cabeza, desenganchando la palanca (1) y hacer girar el conjunto superior (Ref. a Fig. 3a).



*Se puede abrir la cabeza cuando la cuchilla inferior (3) esté completamente retraída.*

► Colocar la cuchilla inferior (3) sobre el conductor a cortar, volver a cerrar el grupo superior bloqueándolo con la palanca de enganche (1).



*Antes de proceder con la operación de corte, comprobar que la palanca (1) está enganchada perfectamente.*

## 2.3) Acercamiento de las cuchillas

► Pulse el botón de accionamiento (5) (Ref. a Fig. 3) para poner en marcha el grupo motor-bomba; la cuchilla inferior empieza a acercarse al conductor.

► Soltando el botón se detienen inmediatamente tanto el motor como el movimiento de la cuchilla.



*Asegúrese de que las cuchillas se encuentran en correspondencia con la zona a cortar; en caso contrario, vuélvala a abrir siguiendo las instrucciones del punto 2.6 y reposicione.*

## 2.4) Corte

► Sostenga firmemente la herramienta y pulse el botón de accionamiento (5), el motor continúa girando; el pistón hará avanzar progresivamente la cuchilla hasta cortar completamente el conductor.

► Cuando el corte está realizado, soltar el botón (5); si se mantuviera apretado el botón después de finalizar el corte del conductor, se activaría rápidamente la válvula de sobrepresión.

## 2.5) Led

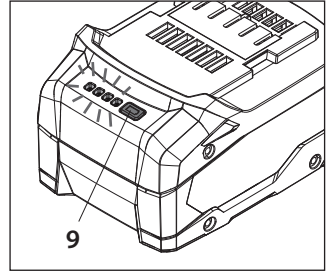
► Durante el accionamiento de la herramienta, la zona de trabajo está iluminada por dos led de alta luminosidad que se apagan automáticamente al final del ciclo.

## 2.6) Reapertura de las cuchillas

► Para volver a obtener el retorno del pistón, pulsar el botón de desbloqueo (6), se obtendrá el consiguiente retorno de la cuchilla.

## 2.7) Autonomía de la batería

- ▶ La batería está provista de indicadores de led que permiten saber la autonomía restante en cualquier momento pulsando el botón (9):
  - 4 led encendidos: autonomía máxima
  - 2 led encendidos: autonomía al 50 %
  - 1 led parpadeante: autonomía mínima, reemplazar la batería.



**i** La iluminación de los dos Led (11) asociada a una señal acústica cuando se presiona el botón de accionamiento (5) indica que la batería está descargada (Ref. a Fig. 4) y que su tensión está por debajo de un punto mínimo de seguridad; en estas condiciones la herramienta no se inicia, proceda a la recarga o a la sustitución de la batería.

*El tiempo aproximado para recargar completamente una batería descargada es de 100 min.*

**i** Después de cada ciclo de trabajo, así como después de la extracción de la batería de la herramienta, un dispositivo electrónico permite el apagado automático de la batería después de 70s, aprox. y el LED más cercano del botón (9) parpadeará 5 veces consecutivas a intervalos de 14 s, aprox. La batería se reactivará con su reinserción en la herramienta y pulsando el botón de accionamiento.

## 2.8) Utilización del cargador de batería

- ▶ Seguir atentamente las instrucciones detalladas en el manual correspondiente.

## 3. MANTENIMIENTO

Esta herramienta es robusta, completamente precintada y no requiere cuidados especiales. Para obtener un funcionamiento correcto, bastará tener algunas precauciones sencillas:

### 3.1) Limpieza adecuada

- ▶ Tenga presente que el polvo, la arena y la suciedad en general, representan un peligro para toda herramienta hidráulica. Tras cada día de uso, se debe limpiar la herramienta con un trapo limpio, teniendo cuidado de eliminar la suciedad depositada, especialmente junto a las partes móviles. No use hidrocarburos para la limpieza de las partes de caucho.
- ▶ Lubrificar regularmente, con unas gotas de aceite, las partes móviles y los pernos de la cabeza.

### 3.2) Almacenamiento

- ▶ Para proteger la herramienta de golpes accidentales y del polvo cuando no se va a utilizar, es conveniente guardarla cerrada en su caja metálica de cierre hermético. Dicho estuche (tipo VAL B-TC950) de dimensiones 565x410x132 mm (22.2x16.1x5.2 in.) y peso 6,7 kg (14.7 lbs).

### 3.3) Mantenimiento ordinario

Alcanzado el número predeterminado de horas de trabajo, la herramienta señalará la necesidad de realizar el mantenimiento ordinario.

**i** Después de 15 seg. de la ejecución del último ciclo, la necesidad de hacer el mantenimiento ordinario se señala con la iluminación intermitente repetida tres veces de los LED y por un aviso acústico al mismo tiempo.

*La herramienta continuará trabajando normalmente, se recomienda enviar a CEMBRE para una revisión completa (ver § 6).*

## 4. CAMBIO DE LAS CUCHILLAS (Ref. a Fig. 7 pág. 30)



*El cambio de las cuchillas debe ser efectuado con la herramienta sin batería.*

Puede suceder que las cuchillas se estropeen tras un uso prolongado o inadecuado. Para efectuar el cambio de las cuchillas, actúe como sigue:

### ► Cuchilla inferior

- Abrir la cabeza apretando la palanca de enganche (85) y hacer girar completamente el grupo superior hasta el tope.
- Accionar el motor haciendo avanzar la cuchilla inferior (36) hasta que quede visible el tornillo de sujeción (35) sobre el pistón (88) y quitar la batería.
- Con un destornillador, desenroscar el tornillo (35) y soltar así la cuchilla (36).
- Quitar la cuchilla vieja del pistón, colocar la nueva y sujetarla con el tornillo (35).



*Antes de volver a cerrar la cabeza, evacuar la presión del aceite haciendo retroceder completamente la cuchilla; en caso contrario, el conjunto superior podría chocar contra la arista de la cuchilla inferior y estropearla.*

### ► Cuchilla superior

- Abrir la cuchilla superior apretando la palanca de enganche (85).
- Separar la cuchilla de la cabeza extrayendo el anillo elástico (38) y el pasador (37).
- Utilizando una llave fija de 13 mm desenroscar las tuercas (98) y quitar los prisioneros (99), la guía (100), el distanciador (101) y quitar la cuchilla (48).
- Con un punzón expulsar el pasador elástico (102) recobrando el muelle (103) y el pasador (97).
- Montar sobre la nueva cuchilla el muelle (103) el pasador (97) y el pasador elástico (102).
- Montar en la cuchilla nueva la guía (100) y el distanciador (101) utilizando los pernos prisioneros (99) y las tuercas correspondientes (98).
- Montar el conjunto superior en la cabeza y fijarla por medio del pasador (37) y del correspondiente anillo elástico (38).

## 5. CONEXIÓN AL ORDENADOR

La tarjeta de memoria de la herramienta permite grabar los parámetros de funcionamiento y mediante el cable USB suministrado, pasarlos a un ordenador. Para visualizar y gestionar los datos en la tarjeta es necesario utilizar el software CEMBRE CEM\_SWBT01, que se encuentra de forma gratuita en la área reservada de la página web [www.cebreme.com](http://www.cebreme.com), después la inscripción. En la misma área se pueden encontrar también las actualizaciones del firmware de la tarjeta electrónica, para garantizar el mejor rendimiento de la herramienta obteniendo la máxima eficiencia.

- Las siguientes informaciones conciernen a los estados miembros de la Unión Europea:

### **INFORME PARA LOS USUARIOS en los términos de las Directivas 2011/65/EU y 2012/19/EU.**

El símbolo del contenedor de basura cruzado por un aspa que aparece en el equipo o sobre su embalaje indica que, al final de su ciclo de vida útil, el producto debe ser eliminado independientemente de otros desechos. La recogida selectiva del presente equipo, llegado al final de su ciclo de vida, es organizada y manejada por el fabricante. El usuario que desee deshacerse del presente equipo deberá, por lo tanto, contactar con el fabricante y seguir el sistema adoptado por el mismo para permitir la recogida por separado del equipo que ha concluido su ciclo de vida. La adecuada recogida selectiva, para el sucesivo envío del equipo dado de baja al reciclaje, al tratamiento y al saneamiento ambiental compatible, contribuye a evitar posibles efectos negativos sobre el medio ambiente y sobre la salud favoreciendo el reemplazo y el reciclaje de los materiales que componen el equipo. La eliminación abusiva del equipo por parte del propietario implica la aplicación de las sanciones administrativas prevista por la legislación vigente.



# 1. CARATTERISTICHE GENERALI

		B-TC950	B-TC950E	B-TC950T	B-TC950A
<b>Campo di applicazione</b>		adatto al taglio di conduttori in rame, alluminio o cavi telefonici			
Diametro max. di taglio	mm (inches)	95 (3-3/4)			
Pressione di esercizio	bar (psi)	900 (13,050)			
Dimensioni (Fig. 6 pag. 30)	mm (inches)	518 x 468 x 83 (20.4 x 18.4 x 3.3)			
Peso con batteria	kg (lbs)	7,8 (17.1)			
Motore	V DC	18			
Temperatura di utilizzo	°C (°F)	-15 a +50 (+5 a +122)			
Olio consigliato		ENI ARNICA 32 o equivalenti			
Velocità di avanzamento		sono due, una rapida ed una più lenta di lavoro. La commutazione da una all'altra é automatica			
Sicurezza		valvola di massima pressione			
<b>Batteria ricaricabile</b>	V / Ah / Wh	18 / 5.2 / 93.6			
Tipo		CB1852L (Li-Ion)			
Peso	kg (lbs)	0,66 (1.45)			
<b>Caricabatteria</b>	tipo	ASC55-EU	ASC55-UK	ASC55-AUS/NZ	ASC55-USA/CA
Alimentazione	V / Hz	220 - 240 / 50 - 60			115 / 60
	W	85			
<b>Rumore aereo</b> <sup>(1)</sup>					
L <sub>pA</sub>	dB (A)	73			
L <sub>pCPeak</sub>	dB (C)	94.5			
L <sub>WA</sub>	dB (A)	79			
<b>Vibrazioni</b> <sup>(2)</sup>	m/s <sup>2</sup>	0.575 max			

<sup>(1)</sup> Direttiva Europea 2006/42/CE, allegato 1, punto 1.7.4.2, lettera u

L<sub>pA</sub> = livello di pressione acustica continuo equivalente ponderato A nel posto di lavoro.

L<sub>pCPeak</sub> = valore massimo della pressione acustica istantanea ponderata C nel posto di lavoro.

L<sub>WA</sub> = livello di potenza acustica emessa dalla macchina.

<sup>(2)</sup> Direttiva Europea 2006/42/CE, allegato 1, punto 2.2.1.1

Valore quadratico medio ponderato, in frequenza, dell'accelerazione cui sono esposte le membra superiori, per ciascuno degli assi biodinamici di riferimento derivante da rilievi condotti secondo le indicazioni della Norma EN ISO 5349-1/2, in condizioni di utilizzo ampiamente rappresentative rispetto a quelle normalmente riscontrabili.



## AVVERTENZE

- ▶ *Questo utensile è progettato per il taglio di cavi in rame o alluminio. NON UTILIZZARLO ASSOLUTAMENTE SU CORDE IN ACCIAIO O ALLUMINIO-ACCIAIO.*
- ▶ *Non impiegare l'utensile per scopi diversi da quelli previsti dal costruttore. Prestare attenzione al lavoro, non distrarsi e non sbilanciarsi durante l'utilizzo. Lavorare in area pulita e sgombra. Tenere lontane le persone dall'area di lavoro.*
- ▶ *Prima di ogni utilizzo ispezionare le lame. Non usare l'utensile con le lame danneggiate. Lame danneggiate possono causare la rottura dell'utensile.*
- ▶ *Sostituire le parti usurate, eventualmente danneggiate o mancanti con parti di ricambio originali CEMBRE.*
- ▶ *Indossare sempre una visiera protettiva, durante le operazioni di taglio possono prodursi schegge metalliche.*
- ▶ *Non tagliare conduttori o corde sotto tensione elettrica.*
- ▶ *L'utensile non è adatto ad un utilizzo continuo; dopo aver eseguito il numero di operazioni consecutive consentite da una batteria completamente carica, in occasione del cambio batteria consigliamo un opportuno periodo di pausa per permettere il raffreddamento dell'utensile.*
- ▶ *Proteggere l'utensile dalla pioggia e dall'umidità, l'acqua potrebbe danneggiare l'utensile e la batteria. Gli utensili elettro-oleodinamici non dovrebbero essere usati sotto la pioggia.*



La fornitura comprende:

- ▶ Utensile oleodinamico da taglio.
- ▶ Batteria ricaricabile Li-Ion (2 pz).
- ▶ Caricabatterie (differente in base alla versione dell'utensile).
- ▶ Tracolla.
- ▶ Cassetta metallica di contenimento.
- ▶ Cavo USB (Rif. al § 5).

## 2. ISTRUZIONI PER L'USO

L'utensile può essere trasportato agevolmente tramite l'impugnatura o la tracolla fissata agli anelli (12) (Rif. a Fig. 5).

**i** *Prima di iniziare qualsiasi lavoro, verificare lo stato di carica delle batterie (Rif. al § 2.7) se necessario ricaricarle seguendo le istruzioni riportate nel manuale d'uso del caricabatterie.*

Per sostituire la batteria sfilarla premendo lo sblocco (8) (Rif. a Fig. 1), quindi inserire la nuova faccenda scorrendo nelle guide, fino al suo blocco.

## 2.1) Rotazione della testa

► La testa dell'utensile può ruotare di 335° rispetto al corpo, permettendo così all'operatore di eseguire il lavoro nella posizione più agevole (Rif. a Fig. 3).

**!** *Non ruotare la testa forzandola quando l'utensile è in pressione.*

## 2.2) Preparazione

► Posizionare il conduttore tra le lame in modo che queste si trovino in corrispondenza col punto di taglio desiderato (Rif. a Fig. 3).  
► Nel caso di conduttore passante, premere la leva di aggancio (1) e aprire la testa ruotandola (Rif. a Fig. 3a).

**i** *L'apertura della testa può essere effettuata solamente con lama inferiore (3) completamente retratta (Rif. al § 2.6).*

► Appoggiare la lama inferiore (3) sul conduttore da tagliare, richiudere la testa bloccandola col la leva di aggancio (1).

**!** *Prima di procedere con l'operazione di taglio assicurarsi che la leva (1) sia perfettamente agganciata, una chiusura parziale potrebbe danneggiare la testa.*

## 2.3) Accostamento delle lame

► Premere il pulsante di azionamento (5) (Rif. a Fig. 3) per avviare il gruppo motore-pompa, inizierà così l'avvicinamento della lama inferiore (3) al conduttore.  
► Per ottenerne l'immediato arresto sia del motore che del movimento della lama, rilasciare il pulsante di azionamento.

**i** *Assicurarsi che le lame si trovino esattamente in corrispondenza con il punto di taglio; in caso contrario riaprirle seguendo le istruzioni al § 2.6 e riposizionarle.*

## 2.4) Taglio

► Mantenere l'utensile ben saldo e premere il pulsante di azionamento (5) per avviare il motore, la lama inferiore avanzerà progressivamente fino al completo taglio del conduttore.  
► A tranciatura avvenuta, rilasciare il pulsante di azionamento (5); mantenendo premuto il pulsante di azionamento anche dopo il taglio, si giungerà rapidamente all'intervento della valvola di max. pressione.

## 2.5) Led

► Durante l'azionamento dell'utensile, la zona di lavoro è illuminata da due led ad alta luminosità che si spengono automaticamente a fine ciclo.

## 2.6) Riapertura delle lame

► Premere a fondo il pulsante di rilascio (6) per ottenere il ritorno del pistone e la conseguentemente apertura della lama inferiore.

## 2.7) Autonomia della batteria

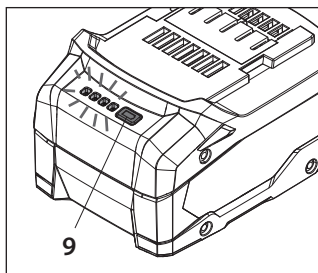
► La batteria è provvista di indicatori a led che consentono di conoscerne l'autonomia residua in qualsiasi momento, premendo il pulsante (9):

4 led accesi: massima autonomia

2 led accesi: autonomia al 50 %

1 led lampeggiante: minima autonomia, sostituire la batteria.

**i** *Alla pressione del pulsante di azionamento (5), l'accensione dei led (11) unitamente ad un segnale acustico, indicano che la batteria è scarica (Rif. a Fig. 4), la sua tensione è scesa sotto una soglia minima di sicurezza; in queste condizioni l'utensile non si avvia, procedere alla ricarica della batteria o sostituirla con una carica.*



*Indicativamente il tempo per ricaricare completamente una batteria scarica è di circa 100 min.*

**i** *Dopo ogni ciclo di lavoro, così come dopo l'estrazione della batteria dal suo alloggiamento nell'utensile, un dispositivo elettronico provvede all'autospegnimento della batteria dopo 70 s (circa). A conferma di tale attività il LED più vicino al pulsante (9) lampeggerà 5 volte e a distanza di 14 s (circa). La batteria si riattiverà con il suo reinserimento nell'utensile e alla pressione del pulsante di azionamento.*

## 2.8) Utilizzo del caricabatterie

► Seguire attentamente le istruzioni dettagliate sul relativo manuale d'uso.

## 3. MANUTENZIONE

L'utensile è robusto, completamente sigillato e non richiede attenzioni particolari per ottenere un corretto funzionamento basterà osservare alcune semplici precauzioni:

### 3.1) Accurata pulizia

- Tenere presente che la polvere, la sabbia e lo sporco rappresentano un pericolo per ogni apparecchiatura oleodinamica. Dopo ogni giorno d'uso si deve ripulire l'utensile con uno straccio pulito, avendo cura di eliminare lo sporco depositatosi su di esso, specialmente vicino alle parti mobili. Non usare idrocarburi per la pulizia delle parti in gomma.
- Lubrificare regolarmente, con poche gocce d'olio, le parti mobili ed i perni della testa.

### 3.2) Custodia

- Per proteggere l'utensile da urti accidentali e dalla polvere, quando non viene utilizzato, è bene custodirlo nell'apposita custodia in metallo accuratamente chiusa. Tale custodia (tipo VAL B-TC950) ha dimensioni 565x410x132 mm (22.2x16.1x5.2 in.) e pesa 6,7 kg (14.7 lbs).

### 3.3) Manutenzione ordinaria

Raggiunto il numero di ore di lavoro prestabilite, l'utensile segnalerà la necessità di effettuare la manutenzione ordinaria.

**i** *Dopo 15 sec. dall'esecuzione dell'ultimo ciclo, la necessità di effettuare la manutenzione ordinaria viene segnalata dall'accensione intermittente ripetuta tre volte dei led e da un contemporaneo avviso acustico. L'utensile continuerà a funzionare normalmente, se ne consiglia l'invio a CEMBRE per una revisione completa (Rif. al § 6).*

## 4. CAMBIO DELLE LAME (Rif. a Fig. 7 pag. 30)



*Il cambio delle lame deve essere effettuato con utensile privo di batteria.*

Può accadere che, per uso prolungato o improprio, le lame perdano il filo oppure si danneggino. La sostituzione delle lame vecchie con le nuove é semplice:

### ► Lama inferiore

- Aprire la testa premendo la leva (85); far ruotare il complesso superiore, completamente fino alla battuta.
- Azionare il motore facendo avanzare la lama inferiore (36) fino a mettere in vista il grano di fissaggio (35) sul pistone (88) quindi togliere la batteria.
- Con un cacciavite svitare il grano (35) liberando così la lama (36).
- Togliere la vecchia lama dalla sede del pistone, inserirvi la nuova e bloccarla con lo stesso grano.



*Prima di richiudere la testa, rilasciare la pressione dell'olio facendo arretrare completamente la lama; in caso contrario il complesso superiore urterebbe contro lo spigolo della lama inferiore danneggiandola.*

### ► Lama superiore

- Aprire il complesso superiore premendo la leva (85).
- Staccare il complesso superiore dalla testa dell'utensile sfilando il perno (37) dopo aver tolto l'anello elastico (38).
- Con chiave fissa da 13 mm, togliere dalla lama (48) i dadi (98) ed i prigionieri (99) che bloccano la guida (100) ed il distanziale (101).
- Con un punteruolo espellere la spina elastica (102) recuperando la molla (103) e il perno (97).
- Montare sulla nuova lama la molla (103), il perno (97) bloccandoli con la spina (102).
- Montare la guida (100), il distanziale (101) mediante i prigionieri (99) ed i relativi dadi (98).
- Montare la lama completa sulla testa dell'utensile fissandola con il perno (37) e il relativo anello elastico (38).

## 5. COLLEGAMENTO AL COMPUTER

La scheda di memoria integrata nell'utensile permette di registrare i parametri relativi al funzionamento dell'utensile e di poterli trasferire successivamente ad un computer con il cavo USB fornito in dotazione. Per visionare e gestire i dati della scheda, è necessario il software CEMBRE CEM\_SWBT01 disponibile gratuitamente nell'area dedicata del sito [www.cembre.com](http://www.cembre.com) previa registrazione. In detta area si possono trovare anche eventuali aggiornamenti firmware della scheda elettronica per ottenere dal proprio utensile la massima efficienza, garantendone le migliori prestazioni.

- Le seguenti informazioni riguardano gli stati membri dell'Unione Europea:

### **INFORMAZIONE AGLI UTENTI ai sensi delle Direttive Europee 2011/65/EU e 2012/19/EU.**

Il simbolo del cassonetto barrato riportato sull'apparecchiatura o sulla sua confezione indica che il prodotto, alla fine della sua vita utile, deve essere raccolto separatamente dagli altri rifiuti.

La raccolta differenziata della presente apparecchiatura giunta a fine vita è organizzata e gestita dal produttore. L'utente che vorrà disfarsi della presente apparecchiatura dovrà quindi contattare il produttore e seguire il sistema che questo ha adottato per consentire la raccolta separata dell'apparecchiatura giunta a fine vita. L'adeguata raccolta differenziata per l'avvio successivo dell'apparecchiatura dismessa al riciclaggio, al trattamento ed allo smaltimento ambientalmente compatibile contribuisce ad evitare possibili effetti negativi sull'ambiente e sulla salute e favorisce il reimpiego e/o il riciclo dei materiali di cui è composta l'apparecchiatura. Lo smaltimento abusivo del prodotto da parte del detentore comporta l'applicazione delle sanzioni amministrative previste.

FIG. / BILD 6 mm (inch)

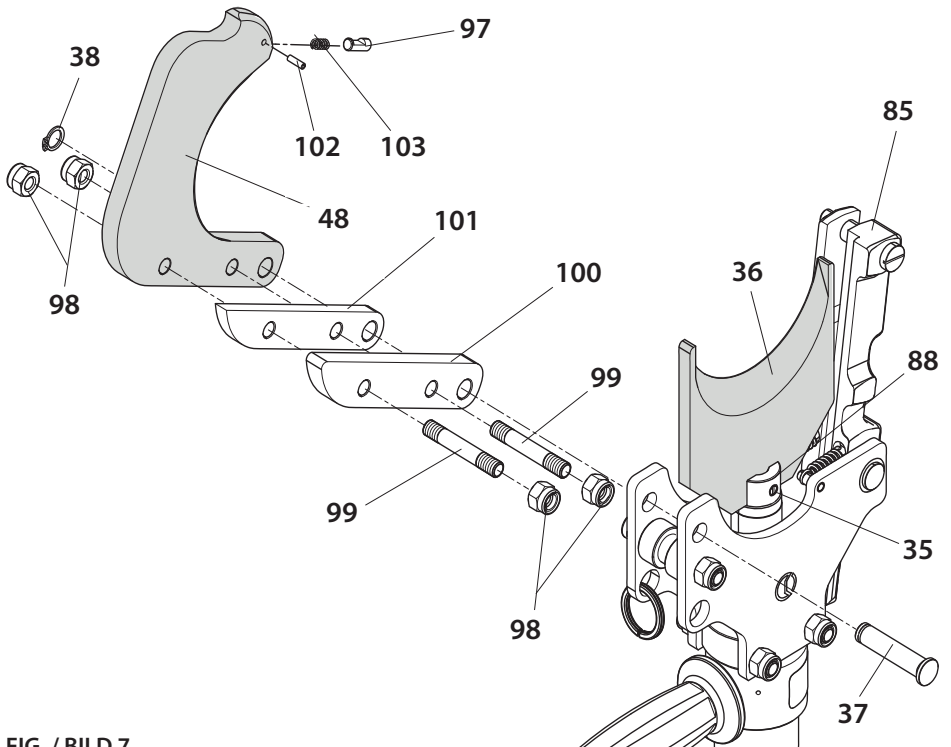
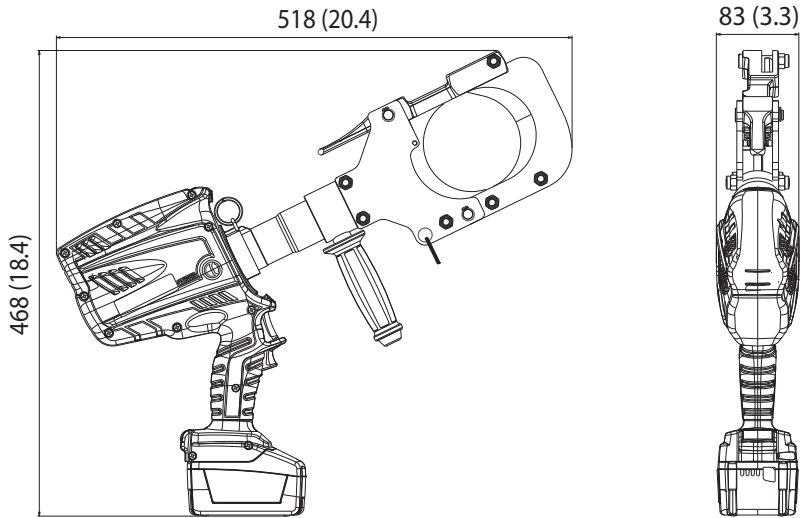


FIG. / BILD 7



**DECLARATION OF CONFORMITY -  
DECLARATION DE CONFORMITE - KONFORMITÄTSERKLÄRUNG -  
DECLARACIÓN DE CONFORMIDAD - DICHIARAZIONE DI CONFORMITÀ**

We Nous Wir Nos Noi: **CEMBRE S.p.A. Via Serenissima, 9 – 25135 Brescia (Italy)**

Declare under our sole responsibility that the product - *Déclarons sous notre seule responsabilité que le produit*  
- Erklären in alleiniger Verantwortung dass das Produkt - *Declaramos bajo nuestra responsabilidad que el producto*  
- Dichiariamo sotto nostra unica responsabilità che il prodotto:

**B-TC950 B-TC950A B-TC950E B-TC950T**

To which this declaration relates is in conformity with the following standard(s) or other normative document(s) -  
*Auquel cette déclaration se réfère est conforme à la (aux) norme(s) ou autre(s) document(s) normatif(s)* -  
Auf dass sich diese Erklärung bezieht, mit der/den folgenden Norm(en) oder dem/den normativen Dokument(en)  
über einstimmt - *Al que se refiere esta declaración, cumple la(s) norma(s) u otro(s) documento(s) normativo(s)* -  
Al quale si riferisce questa dichiarazione è conforme alla(e) norma(e) o altro(i) documento(i) normativo(i):

**EN ISO 12100 EN ISO 3744 EN ISO 11202 EN ISO 5349-1 EN ISO 5349-2 EN55014-1/A11 EN 55014-2**

Following the provisions of EU directive(s) - *Conformément aux dispositions de(s) directive(s) EU* -  
Gemäß den Bestimmungen der EU Richtlinien - *De acuerdo con las disposiciones de la(s) directiva(s) EU* -  
Conformemente alle disposizioni della(e) direttiva(e) EU:

**2006/42/EC 2011/65/EU 2014/30/EU**

Person authorised to compile the technical file - *Personne autorisée à constituer le dossier technique* -  
Person die bevollmächtigt ist, die technischen Unterlagen zusammenzustellen -  
*Persona facultada para elaborar el expediente técnico* - Persona autorizzata a costituire il file tecnico:

**Gianluca Cama via Serenissima, 9 – 25135 Brescia (Italy)**

Brescia 26-01-2022



**CEMBRE**

Felice Albertazzi  
CHIEF SALES & MARKETING OFFICER  
Cembre S.p.A.



**DECLARATION OF CONFORMITY**

We: **CEMBRE S.p.A. Via Serenissima, 9 – 25135 Brescia (Italy)**

Declare under our sole responsibility that the product:

**B-TC950 B-TC950A B-TC950E B-TC950T**

To which this declaration relates is in conformity with the following standard(s) or other normative document(s):

**EN ISO 12100 EN ISO 3744 EN ISO 11202 EN ISO 5349-1 EN ISO 5349-2 EN55014-1/A11 EN 55014-2**

Following the provisions of the UK Legislation(s):

**S.I. 2008/1597 S.I. 2012/3032 S.I. 2016/1091**

Brescia 26-01-2022



**CEMBRE**

Felice Albertazzi  
CHIEF SALES & MARKETING OFFICER  
Cembre S.p.A.



## 6. RETURN TO CEMBRE FOR OVERHAUL

In the case of a breakdown contact our Area Agent who will advise you on the problem and give you the necessary instructions on how to dispatch the tool to our nearest service Centre; if possible, attach a copy of the Test Certificate supplied by CEMBRE together with the tool or fill in and attach the form available in the "ASSISTANCE" section of the CEMBRE website.

## 6. ENVOI EN REVISION A CEMBRE

En cas de dysfonctionnement de l'appareil, merci de vous adresser à notre Agent Régional qui vous conseillera et le cas échéant vous donnera les instructions nécessaires pour envoyer l'appareil à notre Centre de Service le plus proche. Dans ce cas, joindre une copie du Certificat d'Essai livré par CEMBRE avec l'appareil ou remplir et joindre le formulaire disponible dans la section "ASSISTANCE" du site web CEMBRE.

## 6. EINSENDUNG AN CEMBRE ZUR ÜBERPRÜFUNG

Sollten an dem Gerät Fehler auftreten, wenden Sie sich bitte an unsere Gebietsvertretung, die Sie gerne beraten und Ihnen alle nötigen Informationen zum Einsenden des Gerätes an unseren Hauptsitz geben wird. Wenn vorhanden, legen Sie dem Gerät bitte eine Kopie des von CEMBRE mitgelieferten Zertifikates bei oder füllen das, unter dem Bereich "SUPPORT" der CEMBRE Website, verfügbare Formular aus und fügen es bei.

## 6. DEVOLUCION A CEMBRE PARA REVISIONES

En caso de fallo de la herramienta, contactar con nuestro Agente de Zona quien les aconsejará y eventualmente les facilitará las instrucciones necesarias para remitir la herramienta a nuestro centro de servicio más cercano. En tal caso, adjuntar a ser posible una copia del Certificado de Ensayo entregado en su día por CEMBRE con la herramienta o completar y adjuntar el formulario disponible en la sección "ASISTENCIA" del sitio web CEMBRE.

## 6. INVIO A CEMBRE PER REVISIONE

In caso di guasto contattare l'agente di zona per CEMBRE che vi consiglierà in merito e fornirà le istruzioni necessarie per l'invio dell'utensile alla nostra sede; se possibile, allegare copia del certificato di collaudo a suo tempo fornito da CEMBRE con l'utensile oppure, compilare ed allegare il modulo disponibile nella sezione "ASSISTENZA" del sito web CEMBRE.

This manual is the property of CEMBRE: any reproduction is forbidden without written permission.  
Ce manuel est la propriété de CEMBRE: toute reproduction est interdite sauf autorisation écrite.  
Der Firma CEMBRE bleibt das Eigentumsrecht der Bedienungsanleitung vorbehalten.  
Ohne vorherige schriftliche Genehmigung darf diese Bedienungsanleitung weder vollständig, noch teilweise vervielfältigt werden.  
Este manual es propiedad de CEMBRE. Toda reproducción está prohibida sin autorización escrita.  
Questo manuale è proprietà di CEMBRE: ogni riproduzione è vietata se non autorizzata per scritto.



[www.cembre.com](http://www.cembre.com)



**CEMBRE S.p.A.**  
via Serenissima, 9  
25135 Brescia  
Italy  
Ph +39 030 36921  
[ufficio.vendite@cembre.com](mailto:ufficio.vendite@cembre.com)  
[sales@cembre.com](mailto:sales@cembre.com)

**CEMBRE Ltd.**  
Dunton Park,  
Kingsbury Road,  
Curdworth, Sutton Coldfield  
West Midlands, B76 9EB  
United Kingdom  
Ph +44 01675 470440  
[sales@cembre.com](mailto:sales@cembre.com)

**CEMBRE S.a.r.l.**  
22 Avenue Ferdinand  
de Lesseps  
91420 Morangis Cedex  
France  
Ph +33 01 60 49 11 90  
[info@cembre.fr](mailto:info@cembre.fr)

**CEMBRE España S.L.U.**  
Calle Verano 6 y 8  
Pl Las Monjas  
28850 Torrejón de Ardoz  
Madrid - Spain  
Ph +34 91 4852580  
[comercial@cembre.com](mailto:comercial@cembre.com)

**CEMBRE GmbH**  
Geschäftsbereich  
Energie- und Bahntechnik  
Heidemannstr. 166  
80939 München  
Germany  
Ph +49 89-3580676  
[info@cembre.de](mailto:info@cembre.de)

**CEMBRE GmbH**  
Geschäftsbereich  
Industrie und Handel  
Boschstraße 7  
71384 Weinstadt  
Germany  
Ph +49 7151-20536-60  
[info-w@cembre.de](mailto:info-w@cembre.de)

**CEMBRE Inc.**  
Raritan Center Business Park  
300 Columbus Circle-S.F.,  
Edison, NJ 08837 USA  
Ph +1 (732) 225-7415  
[sales.us@cembre.com](mailto:sales.us@cembre.com)  
Midwest Office  
1051 Perimeter Dr. #470  
Schaumburg, IL 60173