

# PC C 65 G



Sample image

**Order symbol :** PC C 65 G

**Product nr :** 8724305

UL Name : UL PC C 65 G

**Description :** Enclosure, PC

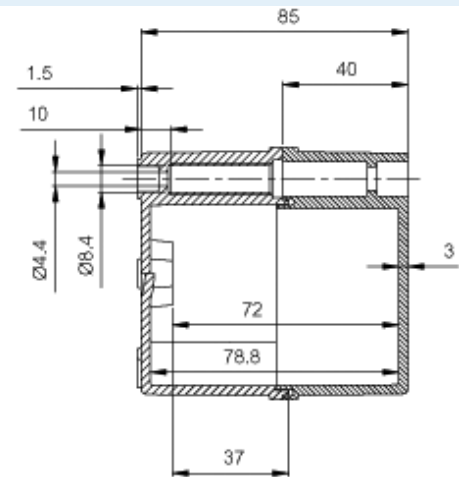
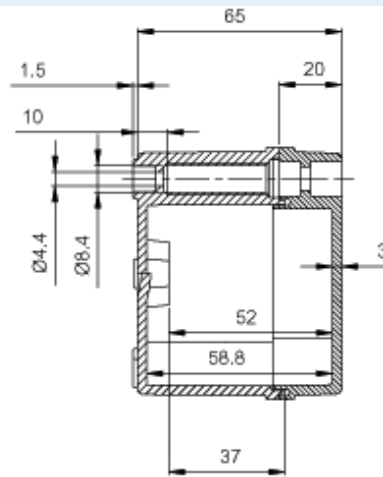
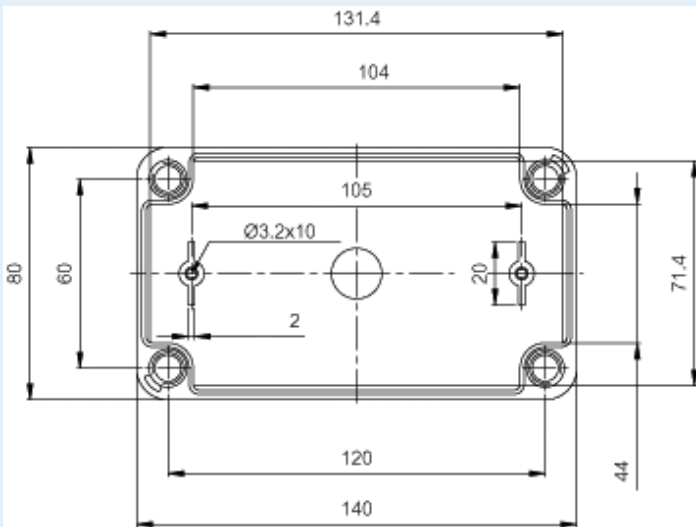
**Remarks :** Grey cover

**EAN :** 6418074002037

**El. number :**

- Finland : 3423405
- Denmark : 8212001514
- Sweden : 2536807

**Including :** Base with screws for mounting plate/DIN-rail. cover with PUR gasket and polyamide cover screws.



Dimensions :	Height	Width	Depth
mm :	140	80	65
inch :	5.51	3.15	2.56

**Materials :**

Material :	Polycarbonate
Base colour :	RAL 7035 -light grey
Cover colour :	RAL 7035 -light grey
Gasket material :	Polyurethane

**Accessories :**

C-MP	Mounting plate, for enclosures: (110 x 54 x 1)
FP 22040	Wall fastening lug (2 pcs), for enclosures:
CHM-3	DIN-35 Mounting rail, for enclosures: (110 x 35 x 7)

**Ratings :**

Ingress protection (EN 60529):	IP66; IP67;
Impact Resistance (EN 62262):	IK08;
electrical_insulation :	Totally insulated
Halogen free (DIN/VDE 0472, Part 815) :	Yes

**Temperatures :**

Temperature °C (short term) : -40 ... 120

Temperature °F (short term) : -40 ... 250

Temperature °F (continuous) : -40 ... 175

UV resistance :

UL 746C

Flammability Rating :

UL 94 V0

Glow Wire Test (IEC 695-2-1) °C :

960C

**Certificates :**

SGSFIMKO\_PICC\_pc