

# TAM111107



Sample image

**Order symbol :** TAM111107

**EAN :** 6418074011435

**Product nr :** 5814021

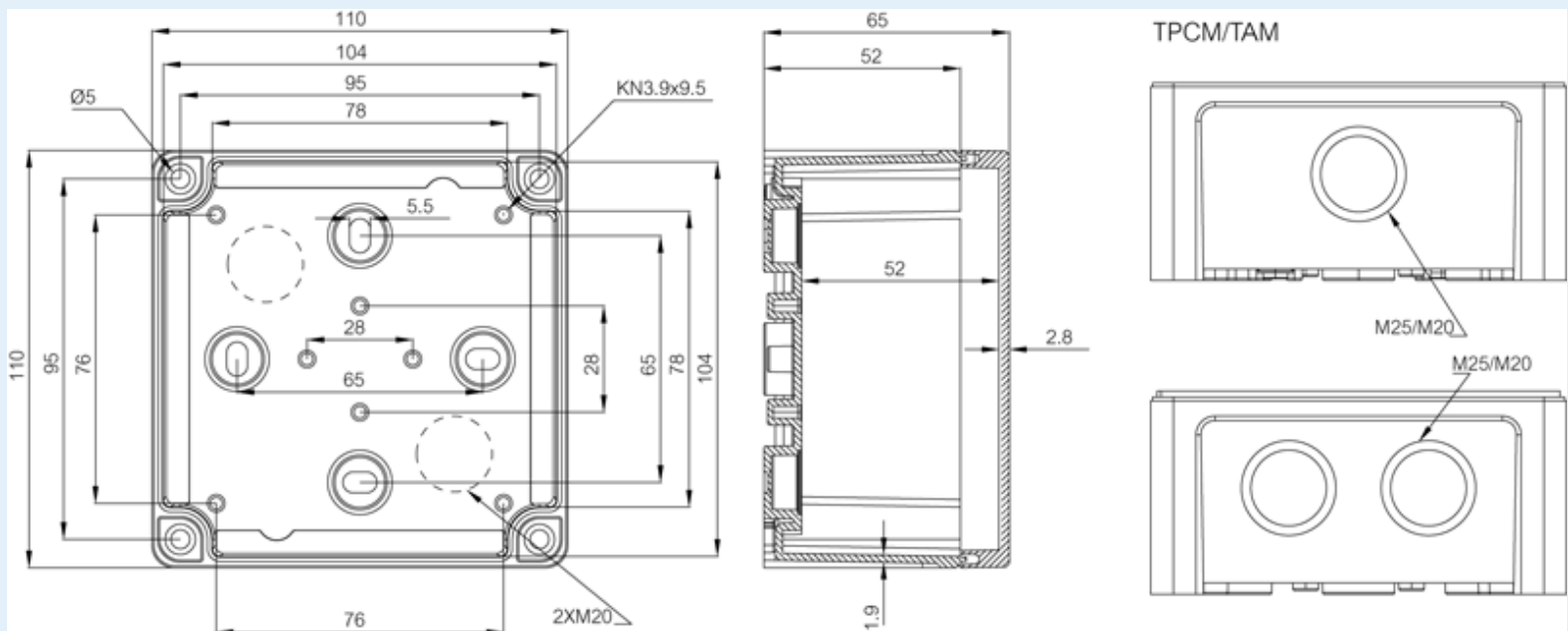
**El. number :**

**Description :** Enclosure, ABS, metric knock-outs

- Finland : 3438264
- Denmark : 8212045266
- Sweden : 5814021

**Remarks :** Grey cover

**Including :** Base with PUR gasket and screws for mounting plate/DIN-rail. cover with polyamide cover screws and plastic hinges.



Dimensions :	Height	Width	Depth
mm :	110	110	65
inch :	4.33	4.33	2.56

**Accessories :**

FP 10674 Wall fastening lug (2 pcs) incl. screws (40 x 88 x 14)

**Materials :**

Material : ABS

**Ratings :**

Ingress protection (EN 60529): IP65;  
 Impact Resistance (EN 62262): IK07;  
 electrical\_insulation : Totally insulated  
 Halogen free (DIN/VDE 0472, Part 815) : Yes

**Temperatures :**

Temperature °C (short term) :	-40 ... 80
Temperature °F (short term) :	-40 ... 175
Temperature °F (continuous) :	-40 ... 140

UV resistance :	-
Flammability Rating :	UL 94 HB
Glow Wire Test (IEC 695-2-1) °C :	650C

**Certificates :**

Certificate FI 40343