

# TPCM 191209T



Sample image

**Order symbol :** TPCM 191209T

**Product nr :** 5824029

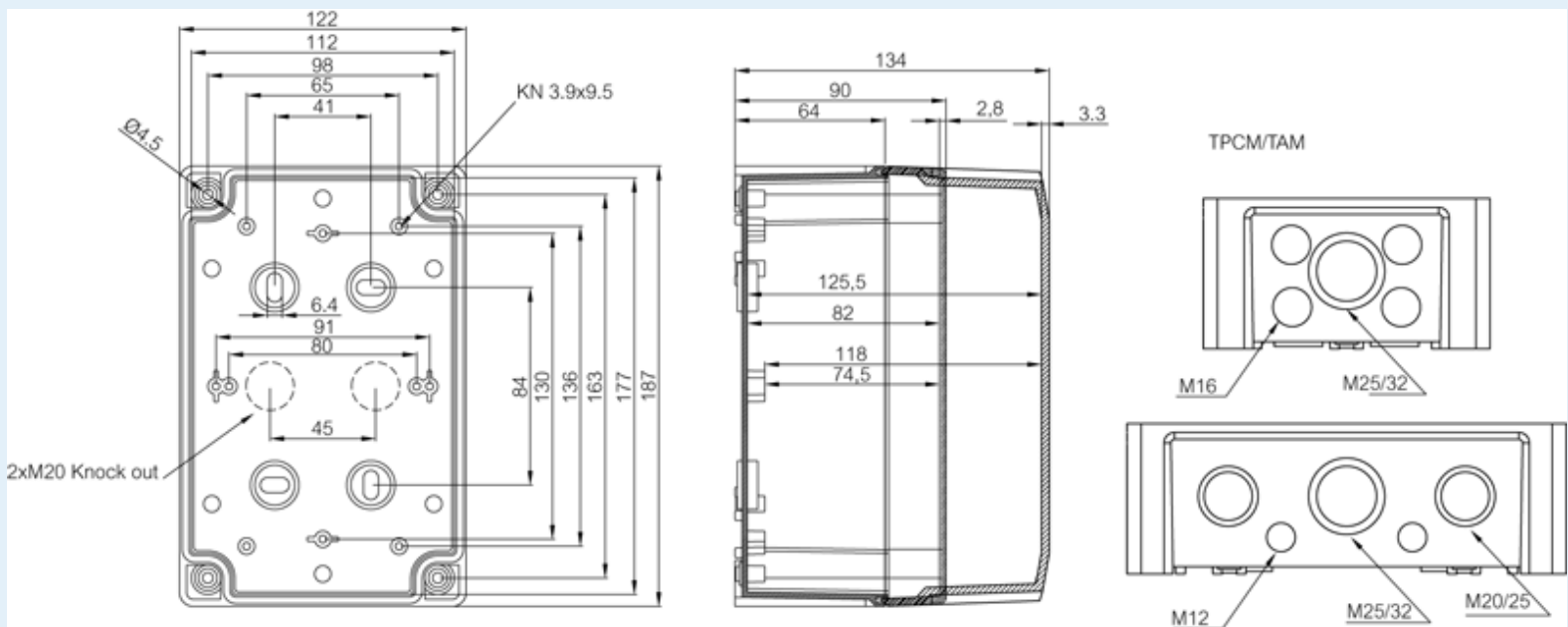
**Description :** Enclosure, PC

**Remarks :** Clear transparent cover

**EAN :** 6418074087133

**El. number :**

- Finland : 3424397
- Denmark : 8212052220



Dimensions :	Height	Width	Depth
mm :	187	122	90
inch :	7.36	4.8	3.54

## Materials :

Material :	Polycarbonate
Base colour :	RAL_7035
Cover colour :	RAL 7035 -light grey
Gasket material :	Polyurethane

## Accessories :

MIV 10	DIN-35 Mounting rail, for enclosures: (100 x 35 x 7)
MP 1912	Mounting plate, for enclosures:
DH-3	DIN-35 Mounting rail, for enclosures: (140 x 35 x 7)
FP 10674	Wall fastening lug (2 pcs) incl. screws (40 x 88 x 14)

## Ratings :

**Temperatures :**

Temperature °C (short term) :	-40 ... 120
Temperature °C (continuous) :	-40 ... 80
Temperature °F (short term) :	-40 ... 250
Temperature °F (continuous) :	-40 ... 175

Ingress protection (EN 60529):	IP65;
Impact Resistance (EN 62262):	IK07; IK08;
electrical_insulation :	Totally insulated
Halogen free (DIN/VDE 0472, Part 815) :	Yes
UV resistance :	UL 746C
Flammability Rating :	UL 94 V0
Glow Wire Test (IEC 695-2-1) °C :	960C

**Certificates :**

Certificate FI 40343