

TPC 201610T



Sample image

Order symbol : TPC 201610T

Product nr : 5824006

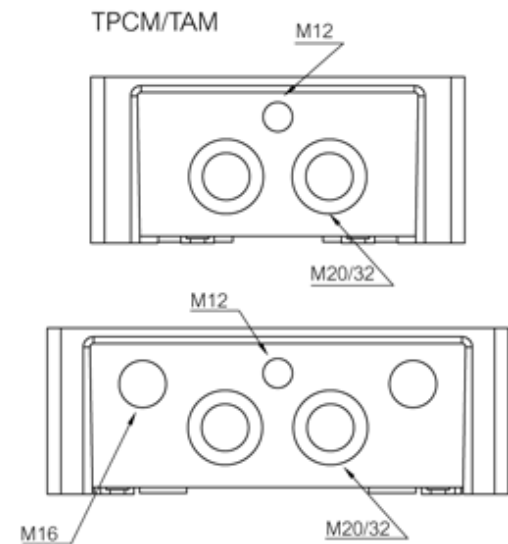
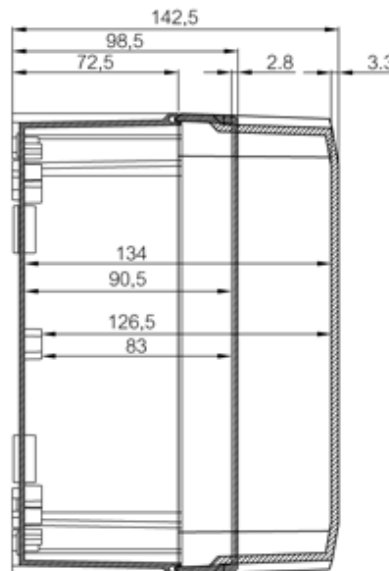
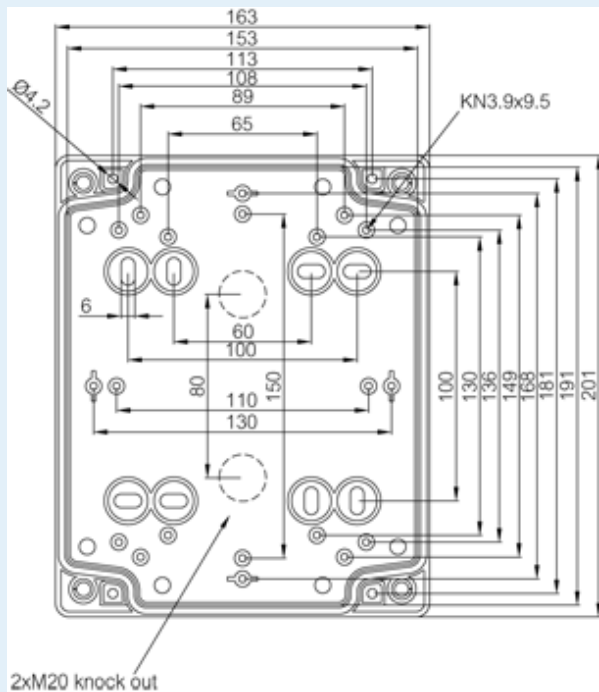
Description : Enclosure, PC

Remarks : Clear transparent cover

EAN : 6418074086655

El. number :

- Finland : 3424380
- Denmark : 8212052107



Dimensions :	Height	Width	Depth
mm :	201	163	99
inch :	7.91	6.42	3.9

Materials :	
Material :	Polycarbonate

Accessories :	
ARH 2320	DIN-35 Mounting rail, for enclosures: (180 x 35 x 7)
MP 2016	Mounting plate, for enclosures: (155 x 140 x 1)
DH-3	DIN-35 Mounting rail, for enclosures: (140 x 35 x 7)
FP 10674	Wall fastening lug (2 pcs) incl. screws (40 x 88 x 14)

Temperatures :

Temperature °F (continuous) : -40 ... 175

Ratings :

Ingress protection (EN 60529):	IP65;
Impact Resistance (EN 62262):	IK07; IK08;
electrical_insulation :	Totally insulated
Halogen free (DIN/VDE 0472, Part 815) :	Yes
UV resistance :	UL 746C
Flammability Rating :	UL 94 V0
Glow Wire Test (IEC 695-2-1) °C :	960C

Certificates :

Certificate FI 40343