

PCM 200/175 XG



Sample image

Order symbol : PCM 200/175 XG

Product nr : 6015329

Description : Enclosure, PC, metric knock-outs

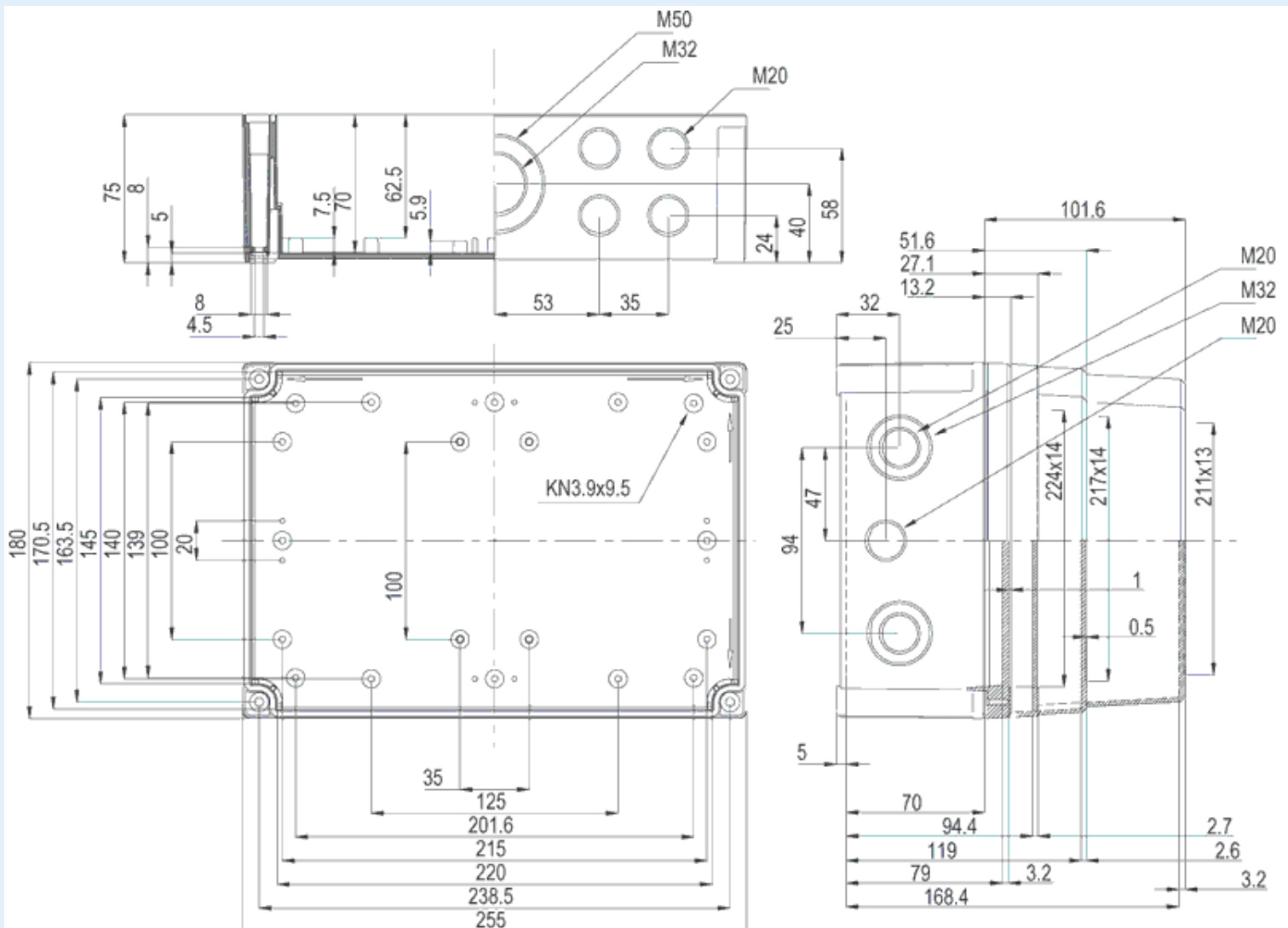
Remarks : Extra high base, grey cover

EAN : 6418074038371

El. number :

- Finland : 3421624
- Denmark : 8212027404
- Sweden : 2535363

Including : Base with TPE gasket. screws for mounting plate/DIN-rail and cover with polyamide cover screws.



Dimensions :	Height	Width	Depth
mm :	255	180	175

Materials :

Material :	Polycarbonate
Base colour :	RAL_7035
Cover colour :	RAL 7035 -light grey
Gasket material :	Polyurethane

Temperatures :

Temperature °C (short term) :	-40 ... 120
Temperature °C (continuous) :	-40 ... 80
Temperature °F (short term) :	-40 ... 250
Temperature °F (continuous) :	-40 ... 175

Accessories :

MIN 20	DIN-15 Mounting rail, for enclosures: (225 x 15 x 1)
HFP 180	Front plate hinge series
MIN 15	DIN-15 Mounting rail, for enclosures: (150 x 15 x 1)
MIV 200	Mounting plate (Galvanized steel), for enclosures: (223 x 148 x 1)
FP A 200/ 180	Front plate (Aluminium), for enclosures: (237 x 170 x 1)
MIV 15	DIN-35 Mounting rail, for enclosures: (150 x 35 x 7)
FP 22046	Wall fastening lug (4 pcs)
MIV 20	DIN-35 Mounting rail, for enclosures: (225 x 35 x 7)

Ratings :

Ingress protection (EN 60529):	IP66; IP67;
Impact Resistance (EN 62262):	IK08;
electrical_insulation :	Totally insulated
Halogen free (DIN/VDE 0472, Part 815) :	Yes
UV resistance :	UL 746C
Flammability Rating :	UL 94 V0
Glow Wire Test (IEC 695-2-1) °C :	960C

Certificates :

Certificate FI 40847