

# PCM 95/60 G



Sample image

**Order symbol :** PCM 95/60 G

**Product nr :** 6016331

UL Name : UL PCM 95/60 G

**Description :** Enclosure, PC, metric knock-outs

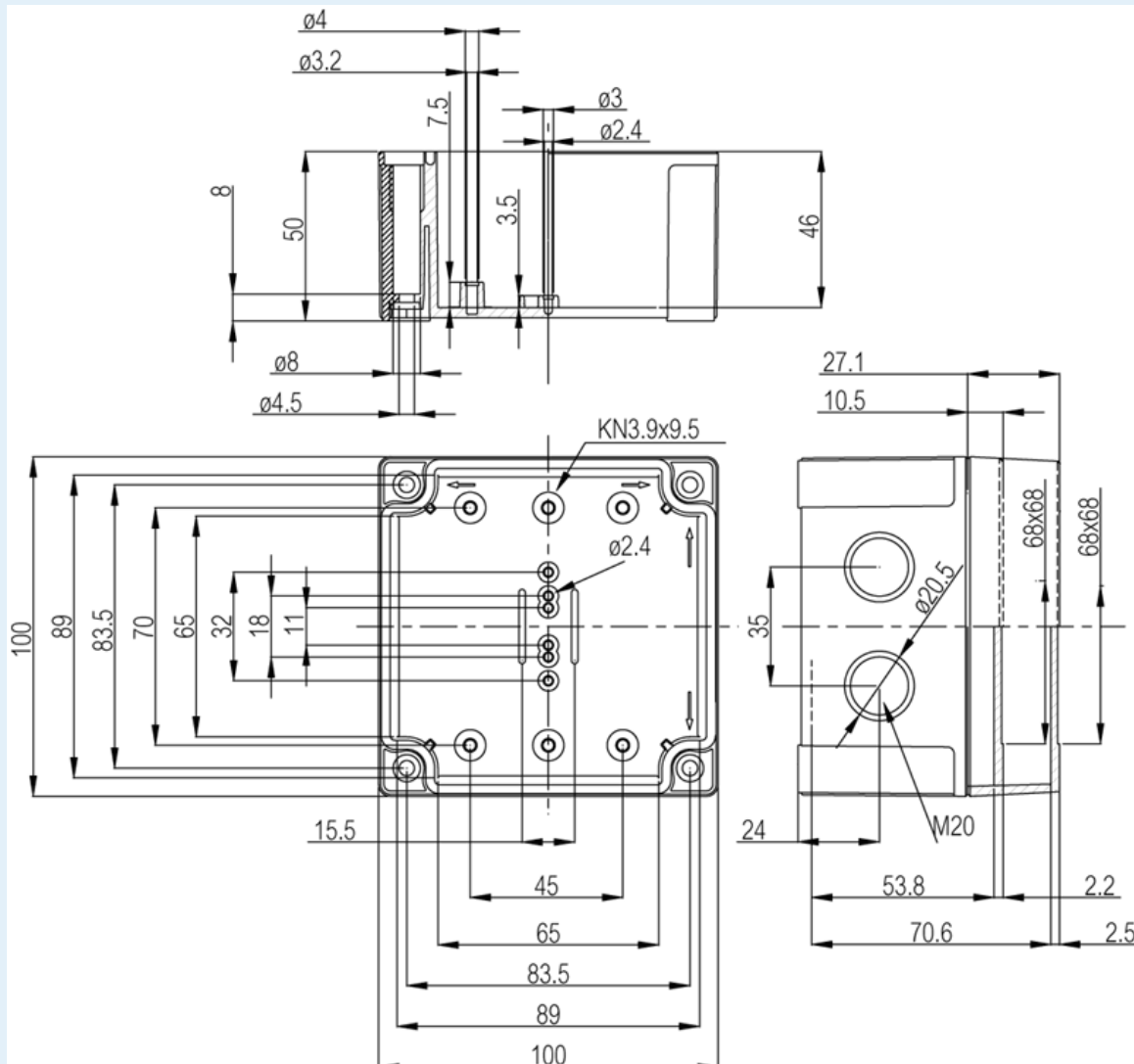
**Remarks :** Grey cover

**EAN :** 6418074054777

**El. number :**

- Finland : 3421392
- Denmark : 8212027569
- Sweden : 2535300

**Including :** Base with PUR gasket. screws for mounting plate/DIN-rail and cover with polyamide cover screws.



**Dimensions :**

	<b>Height</b>	<b>Width</b>	<b>Depth</b>
mm :	100	100	60
inch :	3.94	3.94	2.36

**Materials :**

Material :	Polycarbonate
Base colour :	RAL_7035
Cover colour :	RAL 7035 -light grey
Gasket material :	Polyurethane

**Temperatures :**

Temperature °C (short term) :	-40 ... 120
Temperature °C (continuous) :	-40 ... 80
Temperature °F (short term) :	-40 ... 250
Temperature °F (continuous) :	-40 ... 175

**Accessories :**

MIN 8	DIN-15 Mounting rail, for enclosures:
B-3	DIN-35 Mounting rail, for enclosures: (80 x 35 x 7)
FP 22046	Wall fastening lug (4 pcs)
MIV 95	Mounting plate (Galvanized steel), for enclosures: (66 x 80 x 1)

**Ratings :**

Ingress protection (EN 60529):	IP66; IP67;
Impact Resistance (EN 62262):	IK08;
electrical_insulation :	Totally insulated
Halogen free (DIN/VDE 0472, Part 815) :	Yes
UV resistance :	UL 746C
Flammability Rating :	UL 94 V0
Glow Wire Test (IEC 695-2-1) °C :	960C

**Certificates :**

Certificate FI 40847