

PC C 65 T



Sample image

Order symbol : PC C 65 T

Product nr : 8724005

UL Name : UL PC C 65 T

Description : Enclosure, PC

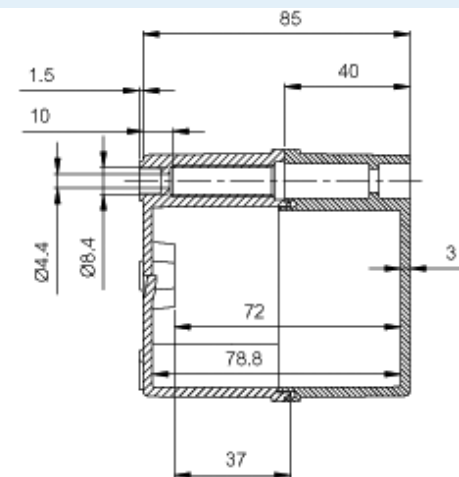
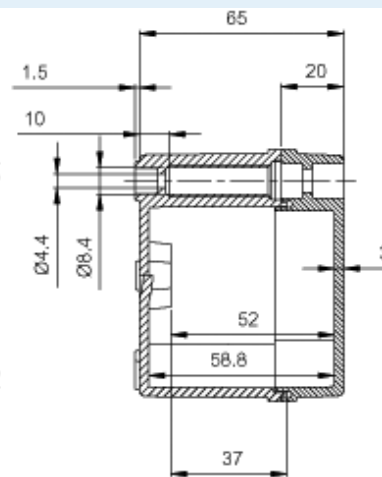
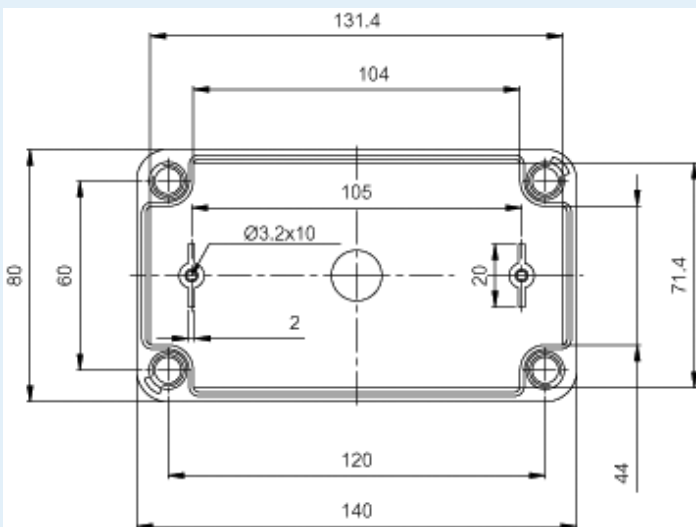
Remarks : Transparent cover

EAN : 6418074002020

El. number :

- Finland : 3423505
- Denmark : 8212001527
- Sweden : 2536838

Including : Base with screws for mounting plate/DIN-rail. cover with PUR gasket and polyamide cover screws.



Dimensions :	Height	Width	Depth
mm :	140	80	65
inch :	5.51	3.15	2.56

Materials :

Material :	Polycarbonate
Base colour :	RAL 7035 -light grey
Gasket material :	Polyurethane

Temperatures :

Accessories :

C-MP	Mounting plate, for enclosures: (110 x 54 x 1)
FP 22040	Wall fastening lug (2 pcs), for enclosures:
CHM-3	DIN-35 Mounting rail, for enclosures: (110 x 35 x 7)

Ratings :

Ingress protection (EN 60529):	IP66; IP67;
Impact Resistance (EN 62262):	IK08;
electrical_insulation :	Totally insulated
Halogen free (DIN/VDE 0472, Part 815) :	Yes

Temperature °C (short term) :	-40 ... 120
Temperature °F (short term) :	-40 ... 250
Temperature °F (continuous) :	-40 ... 175

UV resistance :	UL 746C
Flammability Rating :	UL 94 V0
Glow Wire Test (IEC 695-2-1) °C :	960C

Certificates :

SGSFIMKO_PICC_pc