

# PC F 65 G



Sample image

**Order symbol :** PC F 65 G

**Product nr :** 8724311

**Description :** Enclosure, PC

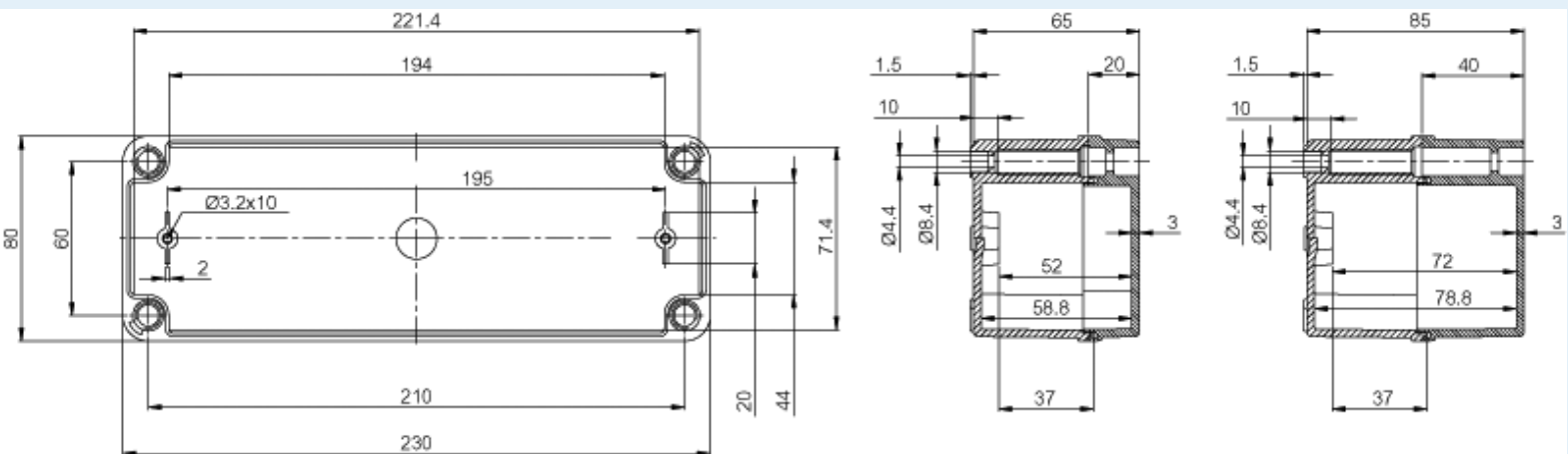
**Remarks :** Grey cover

**EAN :** 6418074002198

**El. number :**

- Finland : 3423413
- Denmark : 8212001611
- Sweden : 2536820

**Including :** Base with screws for mounting plate/DIN-rail. cover with PUR gasket and polyamide cover screws.



<b>Dimensions :</b>	<b>Height</b>	<b>Width</b>	<b>Depth</b>
mm :	230	80	65
inch :	9.06	3.15	2.56

## **Materials :**

Material :	Polycarbonate
Base colour :	RAL_7035
Cover colour :	RAL 7035 -light grey
Gasket material :	Polyurethane

## **Temperatures :**

Temperature °C (short term) :	-40 ... 120
-------------------------------	-------------

## **Accessories :**

FP 22040	Wall fastening lug (2 pcs), for enclosures:
F-MP	Mounting plate, for enclosures: (200 x 54 x 1)
FM-3	DIN-35 Mounting rail, for enclosures: (35 x 200 x 1)

## **Ratings :**

Ingress protection (EN 60529):	IP66; IP67;
Impact Resistance (EN 62262):	IK08;
electrical_insulation :	Totally insulated
Halogen free (DIN/VDE 0472, Part 815) :	Yes
UV resistance :	UL 746C
Flammability Rating :	UL 94 V0

Temperature °C (continuous) :	-40 ... 80
Temperature °F (short term) :	-40 ... 250
Temperature °F (continuous) :	-40 ... 175

Glow Wire Test (IEC 695-2-1) °C :	960C
-----------------------------------	------

**Certificates :**

SGSFIMKO\_PICC\_pc