

EKMB 180 G



Sample image

Order symbol : EKMB 180 G

Product nr : 2538022

UL Name : UL EKMB 180 G

Description : Enclosure, PC

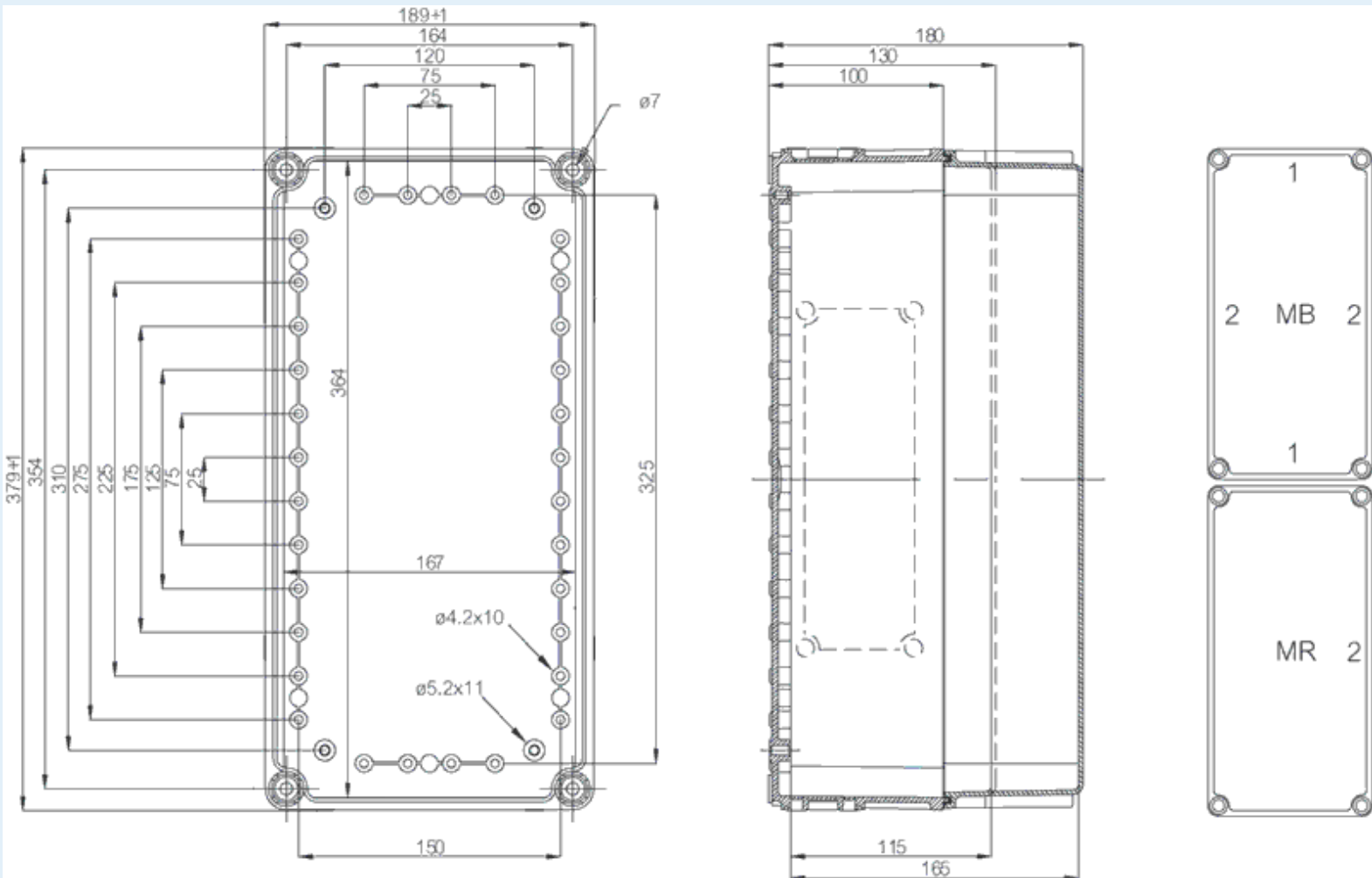
Remarks : Grey cover

EAN : 6418074013514

El. number :

- Finland : 3425410
- Denmark : 8212050866
- Sweden : 2538022

Including : Flanged Base with screws for mounting plate. cover with PUR gasket and polyamide cover screws.



Dimensions :

	Height	Width	Depth
mm :	380	190	180
inch :	14.96	7.48	7.09

Materials :

Material :	Polycarbonate
Base colour :	RAL_7035
Cover colour :	RAL 7035 -light grey
Gasket material :	Polyurethane

Temperatures :

Temperature °C (short term) :	-40 ... 120
Temperature °C (continuous) :	-40 ... 80
Temperature °F (short term) :	-40 ... 250
Temperature °F (continuous) :	-40 ... 175

Accessories :

EKMZR	Extension frame, for enclosures: (380 x 190 x 50)
EKV 12	DIN-35 Mounting rail, for enclosures: (160 x 35 x 7)
EKV 32	DIN-35 Mounting rail, for enclosures: (335 x 35 x 7)
EKMVT	Mounting plate, for enclosures: (338 x 148 x 1)

Ratings :

Ingress protection (EN 60529):	IP66; IP67;
Impact Resistance (EN 62262):	IK08;
electrical_insulation :	Totally insulated
Halogen free (DIN/VDE 0472, Part 815) :	Yes
UV resistance :	UL 746C
Flammability Rating :	UL 94 V0
Glow Wire Test (IEC 695-2-1) °C :	960C

Certificates :

SGSFIMKO_EK