

PC 081606



Sample image

Order symbol : PC 081606

Product nr : 7032630

Description : Enclosure, PC

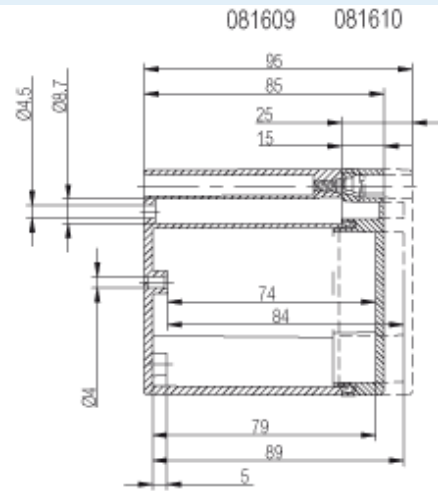
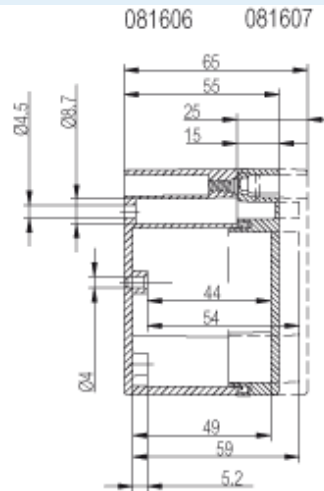
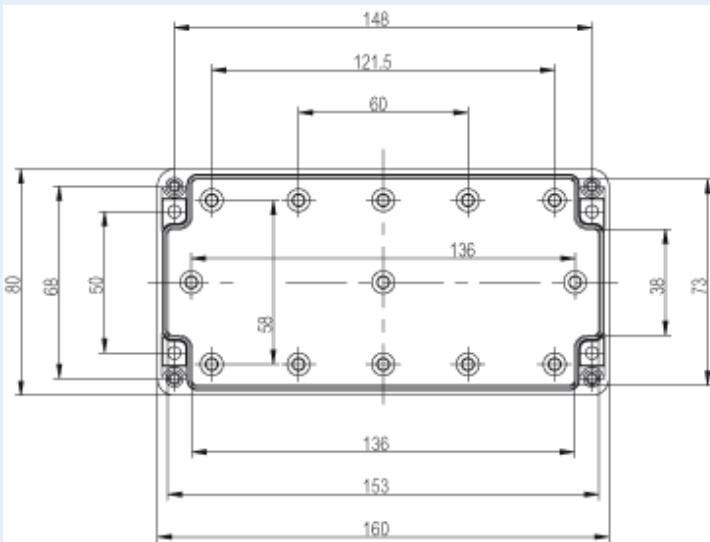
Remarks : Grey cover

EAN : 6418074058379

El. number :

- Finland : 3435354
- Denmark : 8212002649
- Sweden : 2536139

Including : Base with screws for mounting plate/DIN-rail. cover with PUR gasket and stainless steel cover screws.



| Dimensions : | Height | Width | Depth |
|--------------|--------|-------|-------|
| mm : | 80 | 160 | 55 |
| inch : | 3.15 | 6.3 | 2.17 |

Materials :

| | |
|-------------------|----------------------|
| Material : | Polycarbonate |
| Base colour : | RAL_7035 |
| Cover colour : | RAL 7035 -light grey |
| Gasket material : | Polyurethane |

Accessories :

| | |
|----------|---|
| TF 28037 | Wall fastening lug (4 pcs), for enclosures: |
| TRH 1216 | DIN-35 Mounting rail, for enclosures: (146 x 35 x 7) |
| TRM 0816 | DIN-15 Mounting rail, for enclosures: (146 x 15 x 5) |
| TM 0816 | Mounting plate, for enclosures: (71 x 134 x 1) |
| TH A | Grey plastic hinges (2 pcs) |
| TRM 0808 | DIN-15 Mounting rail, for enclosures: (68 x 15 x 5) |

Temperatures :

| | |
|-------------------------------|-------------|
| Temperature °C (continuous) : | -40 ... 80 |
| Temperature °F (continuous) : | -40 ... 175 |

Ratings :

| | |
|---|-------------------|
| Ingress protection (EN 60529): | IP66; IP67; |
| Impact Resistance (EN 62262): | IK07; IK08; |
| electrical_insulation : | Totally insulated |
| Halogen free (DIN/VDE 0472, Part 815) : | Yes |
| UV resistance : | UL 746C |
| Flammability Rating : | UL 94 V0 |
| Glow Wire Test (IEC 695-2-1) °C : | 960C |

Certificates :

SGSFimko_EURONORD