

# Product datasheet

Specifications



## empty control station - 9001K - aluminium - 2 cut-outs Ø 30

Local distributor code:

387261290

9001KY2

EAN Code: 3389118039018

### Main

Range Of Product	Harmony 9001SK Harmony 9001K
Product Or Component Type	Empty enclosure
Device Short Name	9001K
Number Of Cut-Out	2 cut-outs
Cable Entry	1 entry tapped for 3/4" cable gland

### Complementary

Product Destination	For Ø 30 mm control and signalling units
Material	Aluminium
Net Weight	1.28 kg

### Environment

Protective Treatment	TH
Ambient Air Temperature For Storage	-40...70 °C
Ambient Air Temperature For Operation	-25...70 °C
Overvoltage Category	II conforming to IEC 61140
Nema Degree Of Protection	NEMA 1 NEMA 12 NEMA 13 NEMA 3 NEMA 4 NEMA 6

### Packing Units

Unit Type Of Package 1	PCE
Number Of Units In Package 1	1
Package 1 Height	9.652 cm
Package 1 Width	10.16 cm
Package 1 Length	15.494 cm
Package 1 Weight	1.438 kg
Unit Type Of Package 2	S03
Number Of Units In Package 2	10
Package 2 Height	30.0 cm
Package 2 Width	30.0 cm

Package 2 Length	40.0 cm
Package 2 Weight	15.133 kg
Unit Type Of Package 3	P06
Number Of Units In Package 3	80
Package 3 Height	77.0 cm
Package 3 Width	80.0 cm
Package 3 Length	60.0 cm
Package 3 Weight	123.86 kg

## Contractual warranty

Warranty	18 months
----------	-----------

## Sustainability

**Green Premium™ label** is Schneider Electric's commitment to delivering products with best-in-class environmental performance. Green Premium promises compliance with the latest regulations, transparency on environmental impacts, as well as circular and low-CO<sub>2</sub> products.

**Guide to assessing product sustainability** is a white paper that clarifies global eco-label standards and how to interpret environmental declarations.

[Learn more about Green Premium >](#)

[Guide to assess a product's sustainability >](#)

## Well-being performance

✓ Reach Free Of Svhc

---

✓ Toxic Heavy Metal Free

---

✓ Mercury Free

---

✓ Rohs Exemption Information [Yes](#)

---

**Reach Regulation** [REACH Declaration](#)

---

**Eu Rohs Directive** Pro-active compliance (Product out of EU RoHS legal scope)  
[EU RoHS Declaration](#)

---

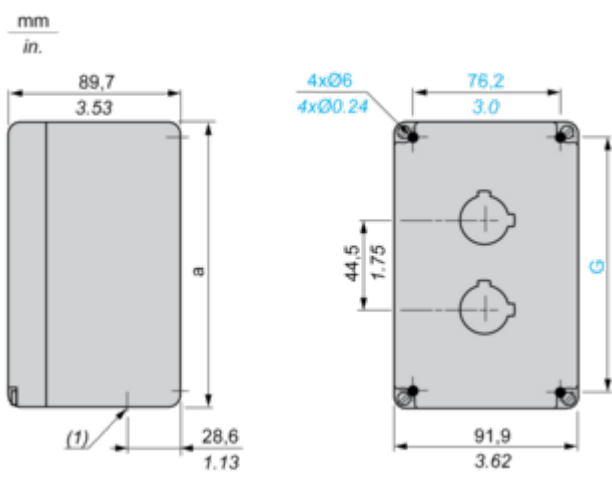
**China Rohs Regulation** [China RoHS declaration](#)

---

Dimensions Drawings

Dimensions

Below drawing shows a 2-hole enclosure. Refer to the product characteristics to get the number of holes.



(1) Conduit thread: 9001 KY•: 3/4". 9001 TY• : 14 mm / 0.55 in.

a		G	
mm	in.	mm	in.
146.1	5.75	114.3	4.50