

Product datasheet

Specifications



Socket, separate contact, 10 A, relay type RXM3, screw connector, 250 V AC

Local distributor code:
389838087

RXZE2S111M

EAN Code: 3389119404273

Main

| | |
|---|--------------------------------------|
| Range Of Product | Harmony Electromechanical Relays |
| Device Short Name | RXZ |
| Product Or Component Type | Socket |
| Product Compatibility | Plug-in relay RXM with 3 C/O contact |
| Contacts Type And Composition | 3 C/O |
| [Ith] Conventional Free Air Thermal Current | 10 A |

Complementary

| | |
|--|--|
| Shape Of Pin | Flat |
| [Ue] Rated Operational Voltage | < 250 V |
| Contact Terminal Arrangement | Separate |
| Connections - Terminals | Connector, 1 x 0.25...1 x 2.5 mm ² (AWG 22...AWG 14) flexible with cable end Connector, 2 x 0.25...2 x 1 mm ² (AWG 22...AWG 17) flexible with cable end Connector, 1 x 0.5...1 x 2.5 mm ² (AWG 20...AWG 14) solid without cable end Connector, 2 x 0.5...2 x 1.5 mm ² (AWG 20...AWG 16) solid without cable end |
| Tightening Torque | < 1 N.m for M3 screw(s) |
| Fixing Mode | By screw (panel) Clip-on (35 mm symmetrical DIN rail) |
| [Uimp] Rated Impulse Withstand Voltage | 4 kV |
| Overvoltage Category | III |
| Pollution Degree | 3 |
| Sale Per Indivisible Quantity | 10 |
| Width | 27 mm |
| Net Weight | 0.066 kg |

Environment

| | |
|-------------------------------------|------------------------------|
| Ip Degree Of Protection | IP20 conforming to IEC 60529 |
| Dielectric Strength | 2500 V |
| Standards | IEC 61984 |
| Product Certifications | UL Lloyd's CSA |
| Marking | CE |
| Ambient Air Temperature For Storage | -40...85 °C |

Ambient Air Temperature For Operation -40...55 °C

Packing Units

Unit Type Of Package 1 PCE

Number Of Units In Package 1 1

Package 1 Height 2.7 cm

Package 1 Width 6.1 cm

Package 1 Length 8.2 cm

Package 1 Weight 61 g

Unit Type Of Package 2 BB1

Number Of Units In Package 2 10

Package 2 Height 11.6 cm

Package 2 Width 6.8 cm

Package 2 Length 14 cm

Package 2 Weight 624 g

Unit Type Of Package 3 S02

Number Of Units In Package 3 200

Package 3 Height 15 cm

Package 3 Width 30 cm

Package 3 Length 40 cm

Package 3 Weight 10.7 kg

Contractual warranty

Warranty 18 months

Sustainability

Green Premium™ label is Schneider Electric's commitment to delivering products with best-in-class environmental performance. Green Premium promises compliance with the latest regulations, transparency on environmental impacts, as well as circular and low-CO₂ products.

Guide to assessing product sustainability is a white paper that clarifies global eco-label standards and how to interpret environmental declarations.

[Learn more about Green Premium >](#)

[Guide to assess a product's sustainability >](#)



Transparency RoHS/REACH

Well-being performance

Reach Free Of Svhc

Toxic Heavy Metal Free

Mercury Free

Rohs Exemption Information Yes

Certifications & Standards

Reach Regulation

[REACH Declaration](#)

Eu Rohs Directive

Pro-active compliance (Product out of EU RoHS legal scope)

[EU RoHS Declaration](#)

China Rohs Regulation

[China RoHS declaration](#)

Environmental Disclosure

[Product Environmental Profile](#)

Weee

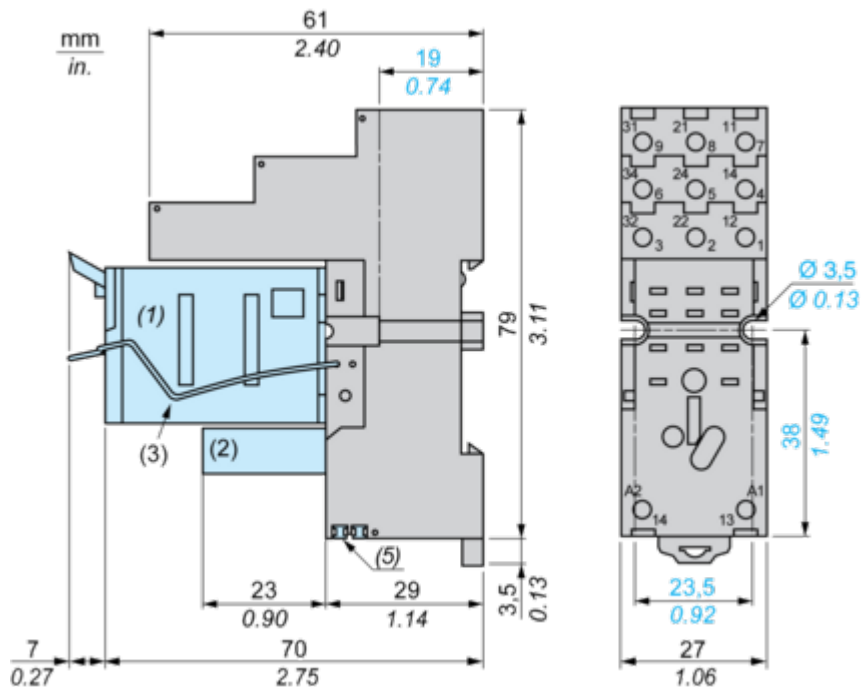
The product must be disposed on European Union markets following specific waste collection and never end up in rubbish bins

Circularity Profile

No need of specific recycling operations

Dimensions Drawings

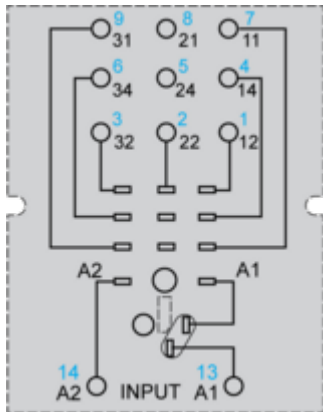
Dimensions



- (1) Relays
- (2) Protection module
- (3) Maintaining clamp
- (4) 2 elongated holes $\varnothing 3.5$ mm x 6.5 mm / $\varnothing 0.13$ in. x 0.25 in.
- (5) 2 bus jumpers

Connections and Schema

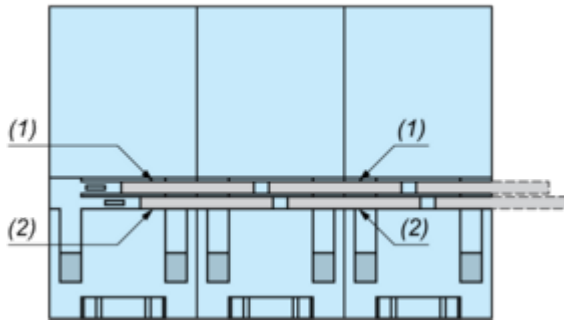
Wiring Diagram



Symbols shown in blue correspond to Nema marking.

Bus Jumpers Mounting on Sockets with Separate Contacts

Example of RXZS2 bus jumper mounting on sockets (view from below)



- (1) 2 bus jumpers (polarity A2)
- (2) 2 bus jumpers (polarity A1)