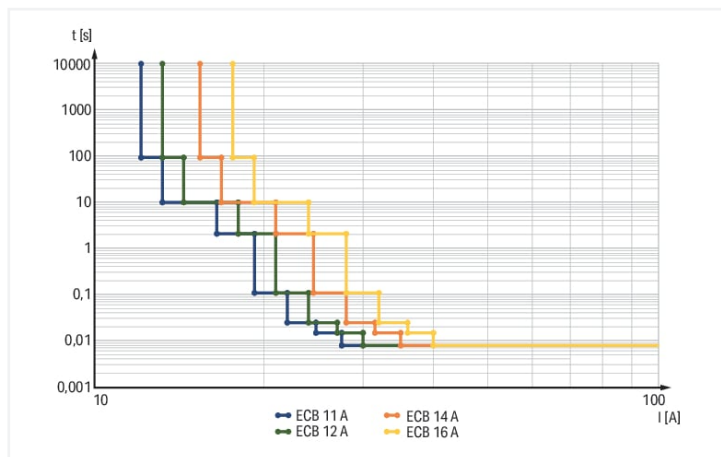
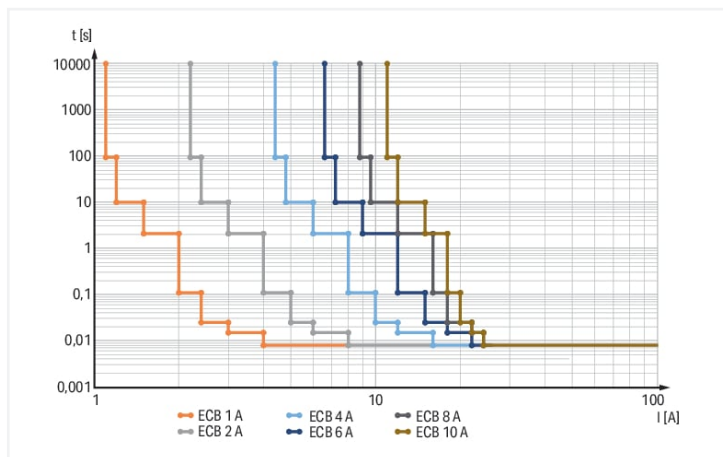
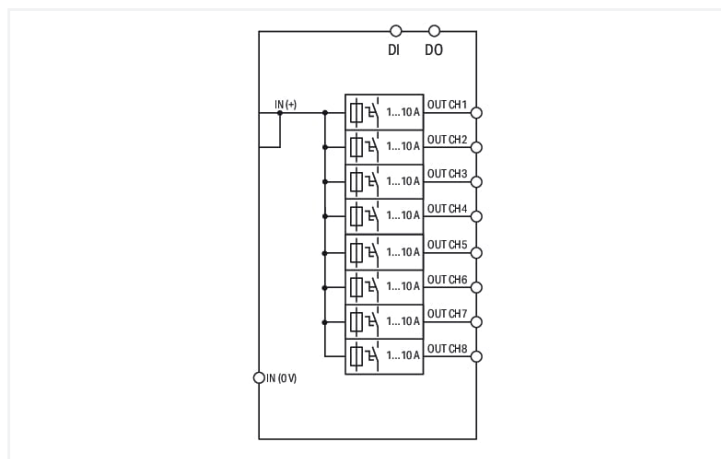


Data Sheet | Item Number: 787-3668

Electronic circuit breaker; 8-channel; 24 VDC input voltage; adjustable 1 ... 10 A; Signal contact

<https://www.wago.com/787-3668>



Features:

- Space-saving ECB with eight channels
- Nominal current: 1 ... 10 A (adjustable for each channel via sealable selector switch)
- Switch-on capacity > 50,000 μ F per channel
- One illuminated, three-colored button per channel simplifies switching (on/off), resetting, and on-site diagnostics
- Time-delayed switching of channels
- Tripped message (group signal)
- Remote input resets tripped channels or switches on/off any number of channels

Technical data

Input		Output	
Nominal input voltage U_{nom}	DC 24 V	Total number of channels (module)	8
Input voltage range	DC 18 ... 30 V	Nominal output voltage $U_{o,nom}$	8 x DC 24 V
		Output voltage range	DC 18 ... 30 V (U_e – voltage drop)
		Voltage drop	≤ 250 mV (Input +)
		Nominal output current $I_{o,nom}$	8 x 1 / 2 / 4 / 6 / 8 / 10 A (adjustable for each channel via selector switch)
		Default setting	DC 1 A; switched on
		Switch-on capacity	
		Switch-on behavior	Time-delayed channel switching (load-dependent, min. 50 ms / max. 10 s)
		Active current limitation	No
		Current limitation	No

Signaling and communication

Signaling	8 x LED (green/red/orange) 1 x Remote control input (S1) 1 x active signal output (S2)
Operation status indicator	Green LED (channel OK) Red LED (tripped channel)
Remote input	Reactivation of all tripped channels via 15 ... 30 VDC pulse for min. 500 ms

Efficiency/power losses

Power loss P_l	≤ 1.6 W; ≤ 20 W (8 x 10 A)
Efficiency (typ.)	98 %

Circuit protection

Internal fuse	T 12 A per channel
---------------	--------------------

Safety and protection

Isolation voltage (connectors – housing)	DC 0.5 kV
Protection class	III
Protection type	IP20; per EN 60529
Reverse voltage protection	No
Resistance to reverse feed	≤ DC 35 V
Pollution degree	2
Transient suppression (primary)	Suppressor diode (33 V)
Parallel operation of single channels	Permissible
Series operation	No

Connection data

Connection type 1	Input (+)
Connection technology	Push-in CAGE CLAMP®
WAGO connector	WAGO 831 Series
Solid conductor	0.5 ... 10 mm ² / 20 ... 8 AWG
Fine-stranded conductor	0.5 ... 10 mm ² / 20 ... 8 AWG
Strip length	13 ... 15 mm / 0.51 ... 0.59 inches
Connection type 2	Input (-); output; signaling
Connection technology 2	CAGE CLAMP®
WAGO connector 2	WAGO 721 Series
Solid conductor 2	0.08 ... 2.5 mm ² / 28 ... 12 AWG
Fine-stranded conductor 2	0.08 ... 2.5 mm ² / 28 ... 12 AWG
Strip length 2	8 ... 9 mm / 0.31 ... 0.35 inches

Physical data

Width	32 mm / 1.26 inches
Height	115 mm / 4.527 inches
Depth from upper-edge of DIN-rail	117.5 mm / 4.626 inches

Mechanical data

Mounting type	DIN-35 rail
---------------	-------------

Material data

Fire load	3.797 MJ
Weight	250.3 g

Environmental requirements

Ambient temperature (operation)	-25 ... +70 °C
Ambient temperature (storage)	-25 ... +85 °C
Relative humidity	5 ... 96 % (no condensation permissible)
Derating	≥ 50°C (see instruction manual)

Standards and specifications

Conformity marking	CE
Standards/specifications	EN 61000-6-2 EN 61000-6-3 UL 61010-2-201 UL 2367

Commercial data

PU (SPU)	1 pcs
Country of origin	IN
Customs tariff number	85363010900

Environmental Product Compliance

RoHS Compliance Status	Compliant,With Exemption
RoHS Exemption	6(c) 7(a) 7(c)-I 7(c)-II

Approvals / Certificates

General approvals



Approval	Standard	Certificate Name
EAC GZO Almaty Standart	TP TC 020/2011	EAC CoC 03081
UL Underwriters Laboratories Inc. (ORDINARY LOCATIONS)	-	E175199

Declarations of conformity and manufacturer's declarations

Approval	Standard	Certificate Name
EU-Declaration of Conformity WAGO GmbH & Co. KG	-	-
UK-Declaration of Conformity WAGO GmbH & Co. KG	-	-

Approvals for hazardous areas



Approval	Standard	Certificate Name
UL Underwriters Laboratories Inc. (HAZARDOUS LOCATIONS)	-	E198726

Downloads

Environmental Product Compliance

Compliance Search
Environmental Product Compliance 787-3668

Documentation

Manual			
Electronic circuit breaker	V 1.0.0 01.02.2024	pdf 5030.38 KB	

Instruction Leaflet			
Elektronischer Schutzschalter	V 1.0.0 10.10.2023	pdf 2408.55 KB	

1 Compatible Products

1.1 Optional Accessories

1.1.1 Marking

1.1.1.1 Marker

<p>Item No.: 2009-145 Mini-WSB Inline; for Smart Printer; 1700 pieces on roll; stretchable 5 - 5.2 mm; plain; snap-on type; white</p>	<p>Item No.: 248-501 Mini-WSB marking card; as card; not stretchable; plain; snap-on type; white</p>	<p>Item No.: 793-5501 WMB marking card; as card; for terminal block width 5 - 17.5 mm; stretchable 5 - 5.2 mm; plain; snap-on type; white</p>	<p>Item No.: 793-501 WMB marking card; as card; not stretchable; plain; snap-on type; white</p>
<p>Item No.: 2009-115 WMB-Inline; for Smart Printer; 1500 pieces on roll; stretchable 5 - 5.2 mm; plain; snap-on type; white</p>			

1.1.1.2 Marking strip

<p>Item No.: 2009-110 Marking strips; for Smart Printer; on reel; not stretchable; plain; snap-on type; white</p>	<p>Item No.: 210-831 Marking strips; on reel; 2.3 mm wide; plain; Self-adhesive; white</p>	<p>Item No.: 210-832 Marking strips; on reel; 3 mm wide; plain; Self-adhesive; white</p>

1.1.2 Tool

1.1.2.1 Operating tool



Item No.: 210-720

Operating tool; Blade: 3.5 x 0.5 mm; with a partially insulated shaft; multicoloured



Item No.: 210-721

Operating tool; Blade: 5.5 x 0.8 mm; with a partially insulated shaft; multicoloured



Item No.: 210-769

SCREWDRIVER; green