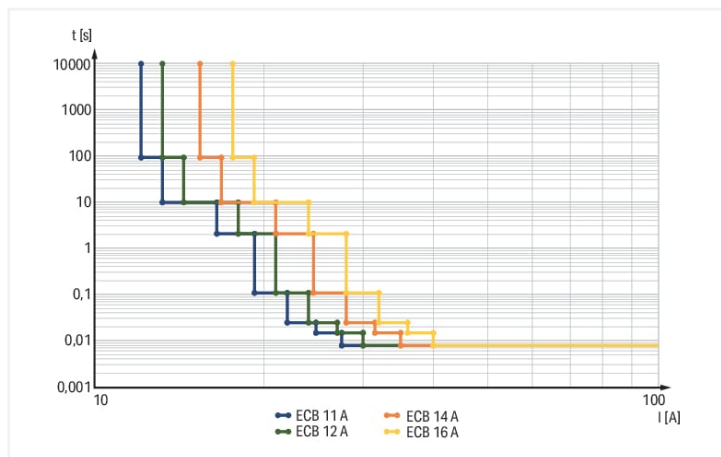
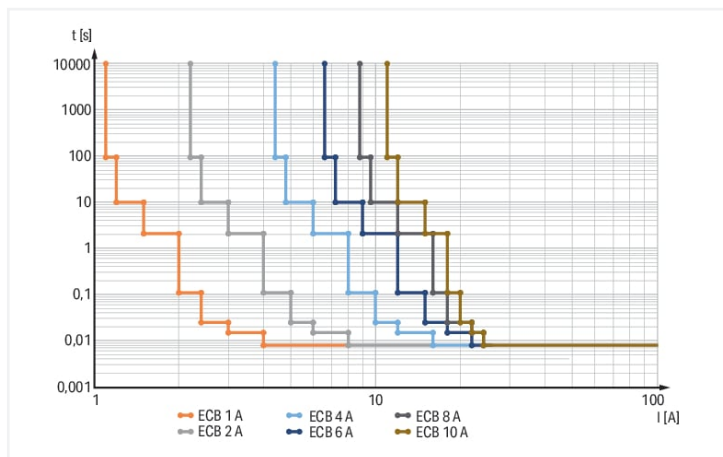
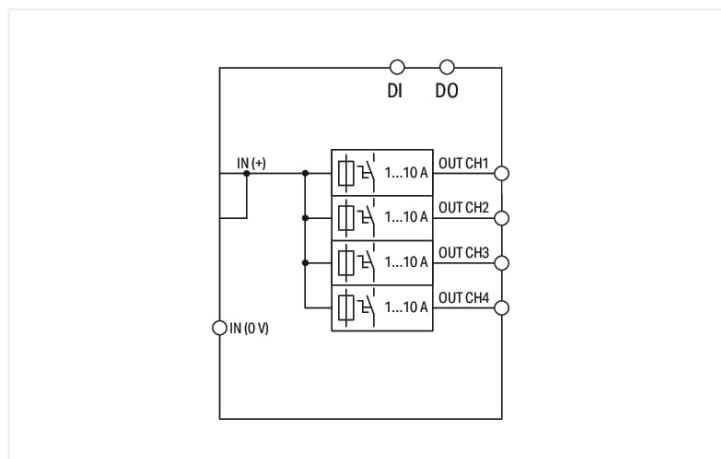


# Data Sheet | Item Number: 787-3664

Electronic circuit breaker; 4-channel; 24 VDC input voltage; adjustable 1 ... 10 A; Signal contact

<https://www.wago.com/787-3664>



## Features:

- Space-saving ECB with four channels
- Nominal current: 1 ... 10 A (adjustable for each channel via sealable selector switch)
- Switch-on capacity > 50,000 µF per channel
- One illuminated, three-colored button per channel simplifies switching (on/off), resetting, and on-site diagnostics
- Time-delayed switching of channels
- Tripped message (group signal)
- Remote input resets tripped channels or switches on/off any number of channels

## Technical data

Input		Output	
Nominal input voltage $U_{nom}$	DC 24 V	Total number of channels (module)	4
Input voltage range	DC 18 ... 30 V	Nominal output voltage $U_{o, nom}$	4 x DC 24 V
		Output voltage range	DC 18 ... 30 V ( $U_e$ – voltage drop)
		Voltage drop	≤ 250 mV (Input +)
		Nominal output current $I_{o, nom}$	4 x 1 / 2 / 4 / 6 / 8 / 10 A (adjustable for each channel via selector switch)
		Default setting	DC 1 A; switched off
		Switch-on capacity	
		Switch-on behavior	Time-delayed channel switching (load-dependent, min. 50 ms / max. 10 s)
		Active current limitation	No
		Current limitation	No

## Signaling and communication

Signaling	4 x LED (green/red/orange) 1 x Remote control input (S1) 1 x active signal output (S2)
Operation status indicator	Green LED (channel OK) Red LED (tripped channel)
Remote input	Reactivation of all tripped channels via 15 ... 30 VDC pulse for min. 500 ms

## Efficiency/power losses

Power loss $P_l$	≤ 0.84 W; ≤ 10 W (4 x 10 A)
Efficiency (typ.)	98 %

## Circuit protection

Internal fuse	T 12 A per channel
---------------	--------------------

## Safety and protection

Isolation voltage (connectors – housing)	DC 0.5 kV
Protection class	III
Protection type	IP20; per EN 60529
Reverse voltage protection	No
Resistance to reverse feed	≤ DC 35 V
Pollution degree	2
Transient suppression (primary)	Suppressor diode (33 V)
Parallel operation of single channels	Permissible
Series operation	No

## Connection data

Connection type 1	Input (+)
Connection technology	Push-in CAGE CLAMP®
WAGO connector	WAGO 831 Series
Solid conductor	0.5 ... 10 mm <sup>2</sup> / 20 ... 8 AWG
Fine-stranded conductor	0.5 ... 10 mm <sup>2</sup> / 20 ... 8 AWG
Strip length	13 ... 15 mm / 0.51 ... 0.59 inches
Connection type 2	Input (-); output; signaling
Connection technology 2	CAGE CLAMP®
WAGO connector 2	WAGO 721 Series
Solid conductor 2	0.08 ... 2.5 mm <sup>2</sup> / 28 ... 12 AWG
Fine-stranded conductor 2	0.08 ... 2.5 mm <sup>2</sup> / 28 ... 12 AWG
Strip length 2	8 ... 9 mm / 0.31 ... 0.35 inches

### Physical data

Width	32 mm / 1.26 inches
Height	95 mm / 3.74 inches
Depth from upper-edge of DIN-rail	117.5 mm / 4.626 inches

### Mechanical data

Mounting type	DIN-35 rail
---------------	-------------

### Material data

Fire load	2.428 MJ
Weight	152.2 g

### Environmental requirements

Ambient temperature (operation)	-25 ... +70 °C
Ambient temperature (storage)	-25 ... +85 °C
Relative humidity	5 ... 96 % (no condensation permissible)
Derating	≥ 50°C (see instruction manual)

### Standards and specifications

Conformity marking	CE
Standards/specifications	EN 61000-6-2 EN 61000-6-3 UL 61010-2-201 UL 2367

### Commercial data

PU (SPU)	1 pcs
Country of origin	IN
Customs tariff number	85363010900

### Environmental Product Compliance

RoHS Compliance Status	Compliant,With Exemption
RoHS Exemption	6(c) 7(a) 7(c)-I 7(c)-II

### Approvals / Certificates

#### General approvals



Approval	Standard	Certificate Name
EAC GZO Almaty Standart	TP TC 020/2011	EAC CoC 03081
UL Underwriters Laboratories Inc. (ORDINARY LOCATIONS)	-	E175199

#### Declarations of conformity and manufacturer's declarations

Approval	Standard	Certificate Name
EU-Declaration of Conformity WAGO GmbH & Co. KG	-	-
UK-Declaration of Conformity WAGO GmbH & Co. KG	-	-

Approvals for hazardous areas



Approval	Standard	Certificate Name
UL Underwriters Laboratories Inc. (HAZARDOUS LOCATIONS)	-	E198726

Downloads

Environmental Product Compliance

Compliance Search
Environmental Product Compliance 787-3664

Documentation

Manual			
Electronic circuit breaker	V 1.0.0 01.02.2024	pdf 5590.84 KB	

Instruction Leaflet			
Elektronischer Schutzschalter	V 1.0.0 10.10.2023	pdf 2402.31 KB	

1 Compatible Products

1.1 Optional Accessories

1.1.1 Marking

1.1.1.1 Marker

<p><b>Item No.: 2009-145</b> Mini-WSB Inline; for Smart Printer; 1700 pieces on roll; stretchable 5 - 5.2 mm; plain; snap-on type; white</p>	<p><b>Item No.: 248-501</b> Mini-WSB marking card; as card; not stretchable; plain; snap-on type; white</p>	<p><b>Item No.: 793-5501</b> WMB marking card; as card; for terminal block width 5 - 17.5 mm; stretchable 5 - 5.2 mm; plain; snap-on type; white</p>	<p><b>Item No.: 793-501</b> WMB marking card; as card; not stretchable; plain; snap-on type; white</p>
<p><b>Item No.: 2009-115</b> WMB-Inline; for Smart Printer; 1500 pieces on roll; stretchable 5 - 5.2 mm; plain; snap-on type; white</p>			

1.1.1.2 Marking strip

<p><b>Item No.: 2009-110</b> Marking strips; for Smart Printer; on reel; not stretchable; plain; snap-on type; white</p>	<p><b>Item No.: 210-831</b> Marking strips; on reel; 2.3 mm wide; plain; Self-adhesive; white</p>	<p><b>Item No.: 210-832</b> Marking strips; on reel; 3 mm wide; plain; Self-adhesive; white</p>

1.1.2 Tool

1.1.2.1 Operating tool



[Item No.: 210-720](#)

Operating tool; Blade: 3.5 x 0.5 mm; with a partially insulated shaft; multicoloured

[Item No.: 210-721](#)

Operating tool; Blade: 5.5 x 0.8 mm; with a partially insulated shaft; multicoloured

[Item No.: 210-769](#)

SCREWDRIVER; green