

JB 2.5 G



Sample image

Order symbol : JB 2.5 G

Product nr : 8600670

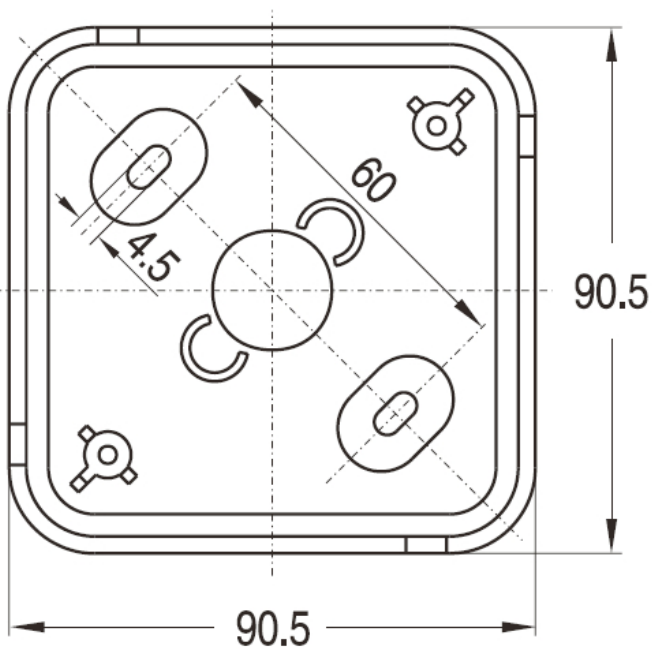
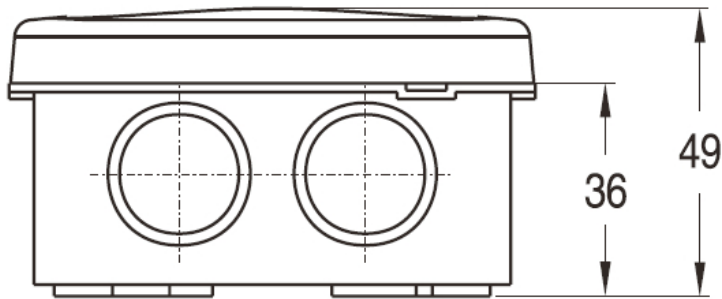
Description : Junction box 2.5 mm², PP

Remarks : Integrated membranes

EAN : 6418074307859

El. number :

- Finland : 1606523
- Denmark : 8212097007



Dimensions :

	Height	Width	Depth
mm :	90	90	49
inch :	3.54	3.54	1.93

Accessories :

ITS 6 Terminal strip, up to 6mm², 500 V hole-type, 5-terminal strip

Materials :

Material :	PP
Base colour :	RAL 7035 -light grey
Cover colour :	RAL 7035 -light grey

Ratings :

Ingress protection (EN 60529):	IP65;
electrical_insulation :	Totally insulated
Halogen free (DIN/VDE 0472, Part 815) :	Yes
UV resistance :	-
Glow Wire Test (IEC 695-2-1) °C :	650C

Temperatures :

Temperature °C (continuous) : -5 ... 60