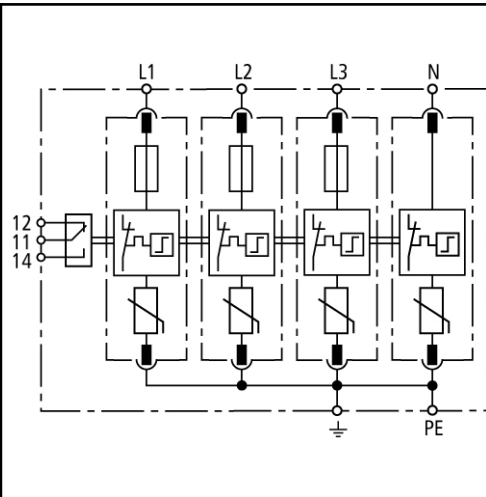
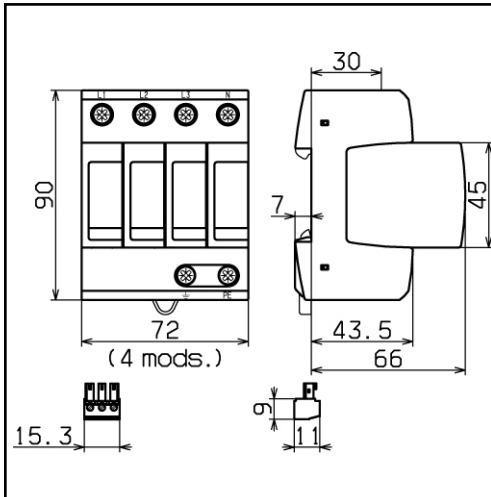


SPDS TYPE 2

DG M TNS CI 275 FM



Dimension drawing DG M TNS CI ... FM

Basic circuit diagram DG M TNS CI ... FM

DG M TNS CI ... (FM): Modular surge arrester with integrated backup fuses for TN-S systems

**Prewired complete unit for TN-S systems consisting of a base part and plug-in protection modules with integrated backup fuses**

**Energy coordination within the Red/Line family**

**High discharge capacity due to heavy-duty zinc oxide varistors**

**High reliability due to "Thermo Dynamic Control" SPD monitoring device**

**Operating state/fault indication of every protective path**

**Multifunctional terminals for connecting conductors and busbars**

**Easy replacement of protection modules without tools due to module locking system with module release button**

DG M TNS CI 275 FM

SPD according to EN 61643-11	Type 2
SPD according to IEC 61643-1	Class II
Nominal a.c. voltage [U <sub>N</sub> ]	230/400 V
Max. continuous operating a.c. voltage [U <sub>Cl</sub> ]	275 V
Nominal discharge current (8/20 μs) [I <sub>n</sub> ]	12.5 kA
Max. discharge current (8/20 μs) [I <sub>max</sub> ]	25 kA
Voltage protection level [U <sub>p1</sub> ]	≤ 1.5 kV
Voltage protection level at 5 kA [U <sub>p1</sub> ]	≤ 1 kV
Response time [t <sub>A1</sub> ]	≤ 25 ns
Max. mains-side overcurrent protection	not required
Short-circuit withstand capability	25 kA <sub>rms</sub>
Temporary overvoltage (TOV) [U <sub>T1</sub> ]	335 V / 5 sec.
TOV characteristics	withstand
Operating temperature range [T <sub>U1</sub> ]	-40°C...+80°C
Operating state/fault indication	green / red
Number of ports	1
Cross-sectional area (min.)	1.5 mm <sup>2</sup> solid/flexible
Cross-sectional area (max.)	35 mm <sup>2</sup> stranded/25 mm <sup>2</sup> flexible
For mounting on	35 mm DIN rail acc. to EN 60715
Enclosure material	thermoplastic, red, UL 94 V-0
Place of installation	indoor
Degree of protection	IP 20
Capacity	4 mods., DIN 43880
Approvals, Certifications	KEMA, VDE
Type of remote signalling contact	changeover contact

<b>Switching capacity a.c.</b>	250 V/0.5 A
<b>Switching capacity d.c.</b>	250 V/0.1 A; 125 V/0.2 A; 75 V/0.5 A
<b>Cross-sectional area for remote signalling terminals</b>	max. 1.5 mm <sup>2</sup> solid/flexible
<b>Ordering information</b>	
<b>Type</b>	DG M TNS CI 275 FM
<b>Part No.</b>	<b>952 406</b>
<b>Packing unit</b>	1 pc

We reserve the right to modify design, technology, dimensions, weights and materials according to technical progress. Illustrations are non-binding. Pictures may differ from the modules described.