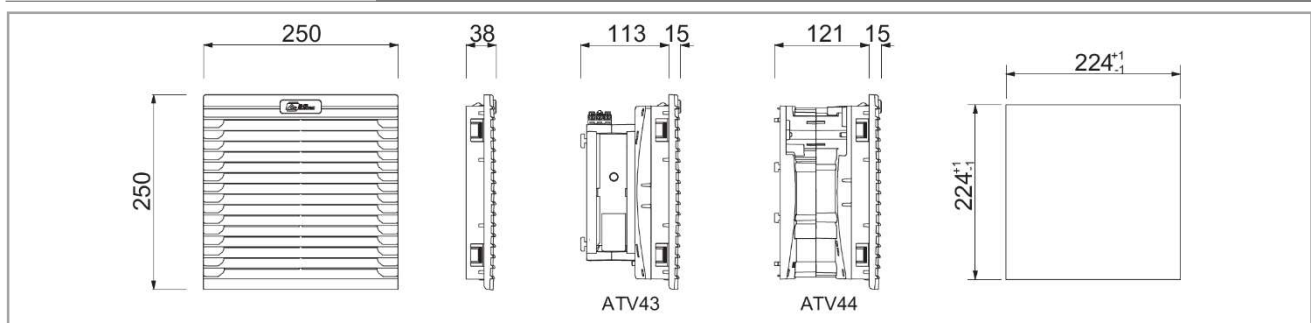




ATV 43 - ATV 44



IP54		ATV4000	ATV4300	ATV4301	ATV4324	ATV4348	ATV4400	ATV4401	ATV4440	
Type 12 File n. E301228		ATV4000U	ATV4300U	ATV4301U	ATV4324U	ATV4348U	ATV4400UPR	ATV4401UPR	-	
Air flow rate (free blow)	m ³ /h	-	255 (290)		255		410 (445)			
Air flow rate with exit filter	m ³ /h	-	202 (235)		202		280 (302)			
Filter mat EN779	-	G3								
IP55		ATV400055	ATV430055	ATV430155	ATV432455	ATV434855	ATV440055PR	ATV440155PR	ATV444055PR	
IP55 UV resistant		ATV4000V	ATV4300V	ATV4301V	ATV4324V	ATV4348V	ATV4400VPR	ATV4401VPR	ATV4440VPR	
Air flow rate (free blow)	m ³ /h	-	210 (240)		210		340 (365)			
Air flow rate with exit filter	m ³ /h	-	166 (190)		166		230 (250)			
Filter mat EN779	-	G4								
Power supply	V/Hz	-	230 / 50-60	115 / 50-60	24 DC	48 DC	230 / 50-60	115 / 50-60	400/50-60/3~	
Dimensions HxWxD	mm	250x250x38	250x250x128				250x250x136			
Power consumption	W	-	40 (38)		26	33	70 (90)		60 (70)	
Current consumption	A	-	0.17 (0.16)	0.34 (0.32)	1.08	0.68	0.40 (0.38)	0.80 (0.76)	0.18 (0.15)	
Overcurrent protection	-	-	thermal		impedance		thermal			
Electrical connection	-	-	3-poles spring terminals *		2-poles spring terminals *		3-poles spring terminals *		4-p s t*	
Duty cycle	-	-	100%							
Operating temperature	°C (°F)	-10 / +70 (+14 / +158)								
Class	-	-	Class I							
Noise level	dB(A)	-	53 (58)		61		65 (68)			
Flow direction	-	-	reversible, default factory setting outside-in (inside-out for UPR, 55PR and VPR models)							
Bearing	-	-	ball							
Service life (at 40°C)	h	-	50 000							
Material	-	thermoplastic UL94V-0, color RAL7035 (IP55 UV resistant): thermoplastic UL94V-0 UV resistant, color RAL7035								
Wall thickness	mm	1.2 - 2.4								
Gasket	-	Foam seal gasket								
Weight (with packaging)	kg	0.52 (0.62)	1.72 (1.92)		1.53 (1.73)		2.74 (2.94)			
Package dimensions H x W x D	mm	270x270x47	270x270x165							
Mounting	-	Fast clip-on								
Conformity/Certifications	-	CE								
* 0.5-2.5mm ²										
Accessories										
Thermostat 0-60°C, NO contact	-	FSC1				THV2		FSC1		-
Fan speed controller	-	FSC1				-		FSC1		-
Hood for IP56	-	CUFF20B								



Specifications, values and drawings are subject to change without notice.