



ATV 54 - ATV 55

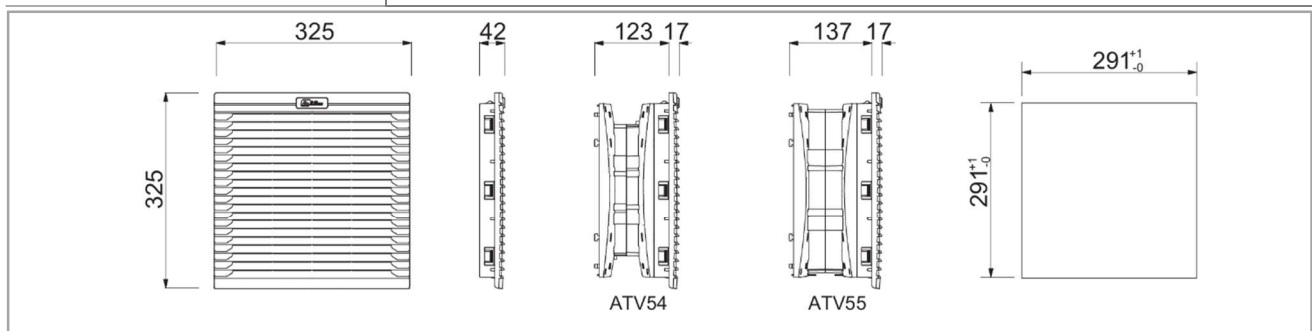


IP54		ATV5000	ATV5400	ATV5401	ATV5440	ATV5500	ATV5501
Type12 File n. E301228		ATV5000U	ATV5400U	ATV5401U	-	ATV5500U	-
Air flow rate (free blow)	m3/h	-	550 (620)			700 (770)	
Air flow rate with exit filter	m3/h	-	405 (450)			520 (575)	
Filter mat EN779	-	G3					
IP55		ATV500055	ATV540055	ATV540155	ATV544055	ATV550055	ATV550155
IP55 UV resistant		ATV5000V	ATV5400V	ATV5401V	ATV5440V	ATV5500V	ATV5501V
Air flow rate (free blow)	m3/h	-	440 (490)			595 (655)	
Air flow rate with exit filter	m3/h	-	325 (360)			440 (490)	
Filter mat EN779	-	G4					
Power supply	V/Hz	-	230 / 50-60	115 / 50-60	400/50-60/3~	230 / 50-60	115 / 50-60
Dimensions HxWxD	mm	325x325x42	325x325x140			325x325x155	
Power consumption	W	-	70 (90)		60 (70)	130 (180)	
Current consumption	A	-	0.40 (0.38)	0.80 (0.76)	0.18 (0.15)	0.55 (0.81)	1.10 (1.62)
Overcurrent protection	-	-	thermal				
Electrical connection	-	-	3-poles spring terminals *		4-p s t*	3-poles spring terminals *	
Duty cycle	-	-	100%				
Operating temperature	°C (°F)	-10 / +70 (+14 / +158)					
Class	-	-	Class I				
Noise level	dB(A)	-	65 (68)			72 (73)	
Flow direction	°C	-	reversible, default factory setting outside-in				
Bearing	-	-	ball				
Service life (at 40°C)	hr	-	50 000				
Material	-	thermoplastic UL94V-0, color RAL7035					
Wall thickness	mm	(IP55 UV resistant): thermoplastic UL94V-0 UV resistant, color RAL7035					
Gasket	-	1.2 - 2.4					
Weight (with packaging)	kg	0.90 (1.04)	3.00 (3.25)			3.55 (3.80)	
Package dimensions H x W x D	mm	340x340x45	340x340x175				
Mounting	-	Fast clip-on					
Conformity/Certifications	-	CE					

* 0.5-2.5mm²

Accessories

Thermostat 0-60°C, NO contact	-	THV2		
Fan speed controller	-	FSC1	-	FSC1
Hood for IP56	-	CUFF30B		



Specifications, values and drawings are subject to change without notice.