

# Product datasheet

Specifications



## Head for pilot light, Harmony XB4, metal, orange, 22mm, universal LED, plain lens

Local distributor code: 237103518 ZB4BV053

**Important message : A change in appearance may be noted on the product but does not affect its use in terms of function and safety. This makes it compatible with our Universal LED blocks**  
EAN Code : 3389110894981

### Main

|                                 |                       |
|---------------------------------|-----------------------|
| Range of product                | Harmony XB4           |
| Product or component type       | Head for pilot light  |
| Product compatibility           | Universal LED         |
| Device short name               | ZB4                   |
| Bezel material                  | Chromium plated metal |
| Mounting diameter               | 22 mm                 |
| Sale per indivisible quantity   | 1                     |
| Head type                       | Standard              |
| Shape of signaling unit head    | Round                 |
| Cap/Operator or lens colour     | Orange                |
| Operator additional information | With plain lens       |

### Complementary

|                                    |  |
|------------------------------------|--|
| CAD overall width                  | 29 mm  |
| CAD overall height                 | 29 mm  |
| CAD overall depth                  | 30 mm  |
| Product weight                     | 0.026 kg   |
| Resistance to high pressure washer | 7000000 Pa at 55 °C, distance : 0.1 m  |
| Electrical composition code        | P1 in front mounting with integral LED<br>P2 in front mounting with integral LED and transformer |
| Device presentation                | Basic element  |

### Environment

|                                       |                                 |
|---------------------------------------|---------------------------------|
| Protective treatment                  | TH                              |
| Ambient air temperature for storage   | -40...70 °C                     |
| Ambient air temperature for operation | -40...70 °C                     |
| Overvoltage category                  | Class I conforming to IEC 60536 |

|                                  |  |
|----------------------------------|--|
| <b>IP degree of protection</b>   | IP66 conforming to IEC 60529<br>IP67<br>IP69<br>IP69K  |
| <b>NEMA degree of protection</b> | NEMA 13<br>NEMA 4X   |
| <b>IK degree of protection</b>   | IK06 conforming to IEC 50102   |
| <b>Standards</b>                 | EN/IEC 60947-1<br>EN/IEC 60947-5-5<br>EN/IEC 60947-5-4<br>EN/IEC 60947-5-1<br>CSA C22.2 No 14<br>JIS C8201-5-1<br>UL 508<br>JIS C8201-1  |
| <b>Vibration resistance</b>      | 5 gn (f= 2...500 Hz) conforming to IEC 60068-2-6   |
| <b>Shock resistance</b>          | 30 gn (duration = 18 ms) for half sine wave acceleration conforming to IEC 60068-2-27<br>50 gn (duration = 11 ms) for half sine wave acceleration conforming to IEC 60068-2-27 |

## Packing Units

|                                     |           |
|-------------------------------------|-----------|
| <b>Unit Type of Package 1</b>       | PCE       |
| <b>Number of Units in Package 1</b> | 1         |
| <b>Package 1 Height</b>             | 4.500 cm  |
| <b>Package 1 Width</b>              | 3.400 cm  |
| <b>Package 1 Length</b>             | 5.400 cm  |
| <b>Package 1 Weight</b>             | 27.000 g  |
| <b>Unit Type of Package 2</b>       | BB1       |
| <b>Number of Units in Package 2</b> | 5         |
| <b>Package 2 Height</b>             | 4.500 cm  |
| <b>Package 2 Width</b>              | 3.400 cm  |
| <b>Package 2 Length</b>             | 26.500 cm |
| <b>Package 2 Weight</b>             | 137.000 g |
| <b>Unit Type of Package 3</b>       | S03       |
| <b>Number of Units in Package 3</b> | 300       |
| <b>Package 3 Height</b>             | 30 cm     |
| <b>Package 3 Width</b>              | 30 cm     |
| <b>Package 3 Length</b>             | 40 cm     |
| <b>Package 3 Weight</b>             | 8.665 kg  |

## Offer Sustainability

|                                   |   |
|-----------------------------------|---|
| <b>Sustainable offer status</b>   | Green Premium product   |
| <b>REACH Regulation</b>           | <a href="#">REACH Declaration</a>   |
| <b>REACH free of SVHC</b>         | Yes   |
| <b>EU RoHS Directive</b>          | Pro-active compliance (Product out of EU RoHS legal scope)<br><a href="#">EU RoHS Declaration</a> |
| <b>Toxic heavy metal free</b>     | Yes   |
| <b>Mercury free</b>               | Yes   |
| <b>China RoHS Regulation</b>      | <a href="#">China RoHS declaration</a>  |
| <b>RoHS exemption information</b> | <a href="#">Yes</a>   |
| <b>Environmental Disclosure</b>   | <a href="#">Product Environmental Profile</a>   |

### Contractual warranty

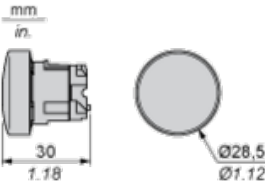
---

Warranty

18 months

**Dimensions**

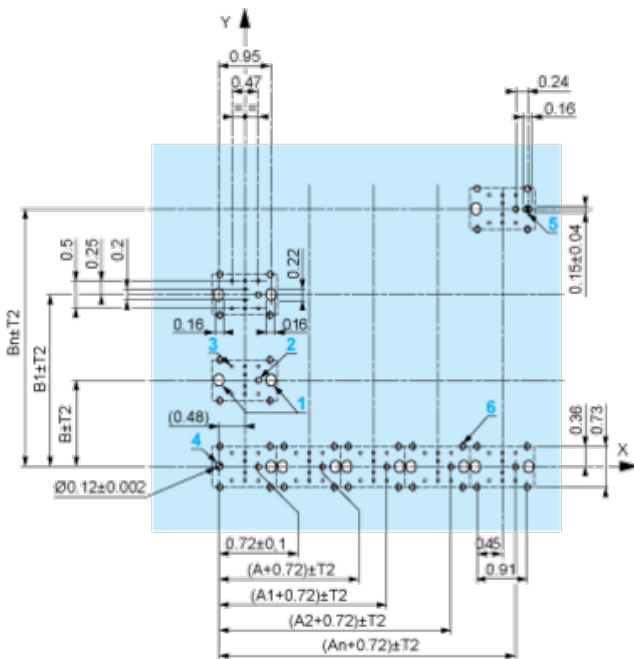
---



**Panel Cut-out for Pushbuttons, Switches and Pilot Lights (Finished Holes, Ready for Installation)**

| Connection by Screw Clamp Terminals or Plug-in Connectors or on Printed Circuit Board   | Connection by Faston Connectors  |
|---|--|
|    |  |
| <p>(1) Diameter on finished panel or support<br/>                 (2) 40 mm min. / 1.57 in. min.<br/>                 (3) 30 mm min. / 1.18 in. min.<br/>                 (4) <math>\varnothing 22.5</math> mm / 0.89 in. recommended (<math>\varnothing 22.3</math> mm <math>^{+0.4}_0</math> / 0.88 in. <math>^{+0.016}_0</math>)<br/>                 (5) 45 mm min. / 1.78 in. min.<br/>                 (6) 32 mm min. / 1.26 in. min.</p> |  |





A: 1.18 in. min.

B: 1.57 in. min.

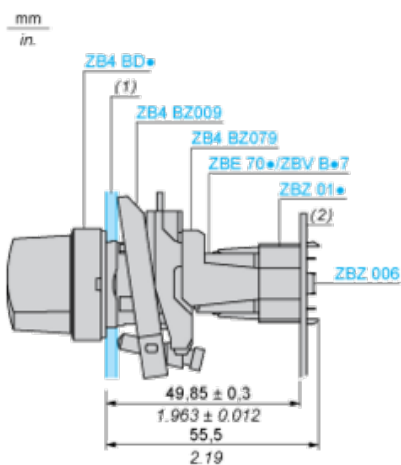
### General Tolerances of the Panel and Printed Circuit Board

The cumulative tolerance must not exceed 0.3 mm / 0.012 in:  $T1 + T2 = 0.3 \text{ mm max.}$

### Installation Precautions

- Minimum thickness of circuit board: 1.6 mm / 0.06 in.
- Cut-out diameter: 22.4 mm  $\pm$  0.1 / 0.88 in.  $\pm$  0.004
- Orientation of body/fixing collar ZB4 BZ009:  $\pm 2^\circ 30'$  (excluding cut-outs marked **a** and **b**).
- Tightening torque of screws ZBZ 006: 0.6 N.m (5.3 lbf.in) max.
- Allow for one ZB4 BZ079 fixing collar/pillar and its fixing screws:
  - every 90 mm / 3.54 in. horizontally (X), and 120 mm / 4.72 in. vertically (Y).
  - with each selector switch head (ZB4 BD\*, ZB4 BJ\*, ZB4 BG\*).

The fixing centers marked **a** and **b** are diagonally opposed and must align with those marked **4** and **5**.



(1) Panel

(2) Printed circuit board

### Mounting of Adapter (Socket) ZBZ 01•

- 1 2 elongated holes for ZBZ 006 screw access
- 2 1 hole  $\varnothing$  2.4 mm  $\pm$  0.05 / 0.09 in.  $\pm$  0.002 for centring adapter ZBZ 01•
- 3 8  $\times$   $\varnothing$  1.2 mm / 0.05 in. holes
- 4 1 hole  $\varnothing$  2.9 mm  $\pm$  0.05 / 0.11 in.  $\pm$  0.002, for aligning the printed circuit board (with cut-out marked **a**)
- 5 1 elongated hole for aligning the printed circuit board (with cut-out marked **b**)
- 6 4 holes  $\varnothing$  2.4 mm / 0.09 in. for clipping in adapter ZBZ 01•

Dimensions  $An + 18.1$  relate to the  $\varnothing$  2.4 mm  $\pm$  0.05 / 0.09 in.  $\pm$  0.002 holes for centring adapter ZBZ 01•.

**Electrical Composition Corresponding to Codes P1, P3, PF1, PR1 and PF2**

---

Light block





**Electrical Composition Corresponding to Codes M6 and P2**

---



**Legend**

---

Single contact



Double contact



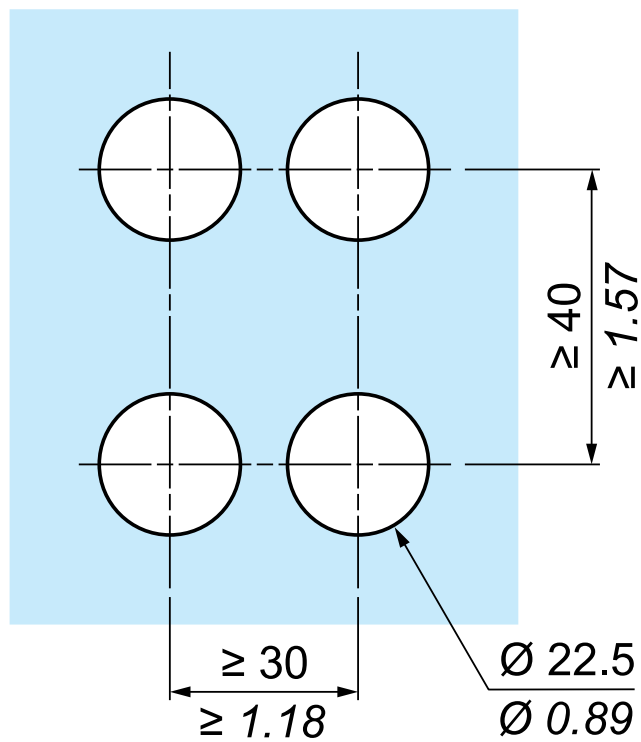
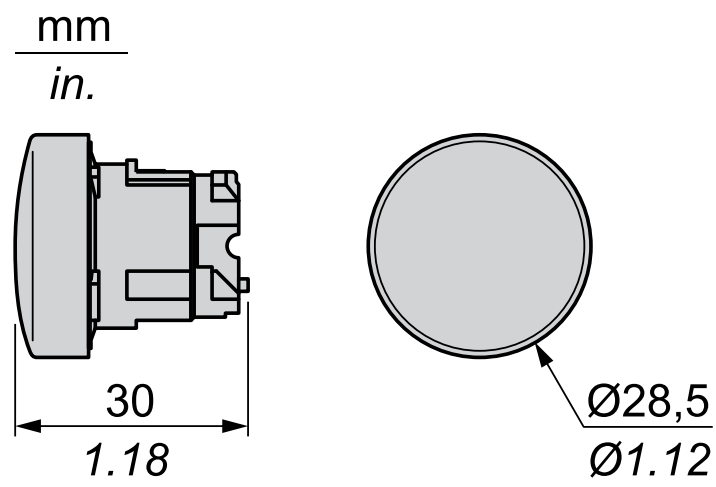
Light block



Possible location



Dimensions



Recommended replacement(s)