

# Product datasheet

Specifications



Head for illuminated push button, Harmony XB5, red flush, 22mm, universal LED, spring return, clear boot, unmarked

Local distributor code: 237217954 ZB5AW543

**Important message : A change in appearance may be noted on the product but does not affect its use in terms of function and safety. This makes it compatible with our Universal LED blocks**  
EAN Code : 3389110924053

## Main

Range of product	Harmony XB5
Product or component type	Head for illuminated push-button
Device short name	ZB5
Product compatibility	Universal LED
Bezel material	Dark grey plastic
Mounting diameter	22 mm
Sale per indivisible quantity	1
Head type	Standard
Shape of signaling unit head	Round
Type of operator	spring return
Operator profile	Red flush, unmarked
Operator additional information	Clear boot

## Complementary

CAD overall width	30 mm
CAD overall height	30 mm
CAD overall depth	37 mm
Net weight	0.019 kg
Resistance to high pressure washer	7000000 Pa at 55 °C, distance : 0.1 m
Mechanical durability	10000000 cycles
Main group	Illum push-button
Group of product	Flush push integral LED
Station name	XALD 1...5 cut-outs XALK 2...5 cut-outs
Cap/Operator or lens colour	Red
Marking	Unmarked
Electrical composition code	M1 for <6 contacts using single blocks in front mounting with integral LED M2 for <6 contacts using single and double blocks in front mounting with integral LED

M6 for <2 contacts using single blocks in front mounting with integral LED and transformer  
M10 for <2 contacts using single blocks in front mounting with integral LED  
MF1 for <2 contacts using single blocks in front mounting with integral LED  
MR1 for <2 contacts using single blocks in rear mounting with integral LED

**Device presentation** Basic sub-assemblies

## Environment

**Protective treatment** TC

**Ambient air temperature for storage** -40...70 °C

**Ambient air temperature for operation** -40...70 °C

**Overvoltage category** Class II conforming to IEC 60536

**IP degree of protection** IP66 conforming to IEC 60529  
IP67

**NEMA degree of protection** NEMA 13  
NEMA 4X

**IK degree of protection** IK05 conforming to EN 50102

**Standards** EN/IEC 60947-5-1  
CSA C22.2 No 14  
EN/IEC 60947-1  
JIS C8201-5-1  
GB 14048.5  
UL 508  
EN/IEC 60947-5-4  
JIS C8201-1

**Product certifications** UL listed  
CSA  
LROS (Lloyds register of shipping)  
GL  
DNV  
BV

**Vibration resistance** 5 gn (f= 2...500 Hz) conforming to IEC 60068-2-6

**Shock resistance** 30 gn (duration = 18 ms) for half sine wave acceleration conforming to IEC 60068-2-27  
50 gn (duration = 11 ms) for half sine wave acceleration conforming to IEC 60068-2-27

## Packing Units

**Unit Type of Package 1** PCE

**Number of Units in Package 1** 1

**Package 1 Height** 5.4 cm

**Package 1 Width** 3.4 cm

**Package 1 Length** 4.4 cm

**Package 1 Weight** 20.0 g

**Unit Type of Package 2** S01

**Number of Units in Package 2** 75

**Package 2 Height** 15.0 cm

**Package 2 Width** 15.0 cm

**Package 2 Length** 40.0 cm

**Package 2 Weight** 1.725 kg

## Offer Sustainability

**Sustainable offer status** Green Premium product

**REACH Regulation** [REACH Declaration](#)

**EU RoHS Directive** Pro-active compliance (Product out of EU RoHS legal scope)  
[EU RoHS Declaration](#)

---

<b>Mercury free</b>	Yes
<b>China RoHS Regulation</b>	<a href="#">China RoHS declaration</a>
<b>RoHS exemption information</b>	Yes
<b>Environmental Disclosure</b>	<a href="#">Product Environmental Profile</a>
<b>Circularity Profile</b>	<a href="#">End of Life Information</a>

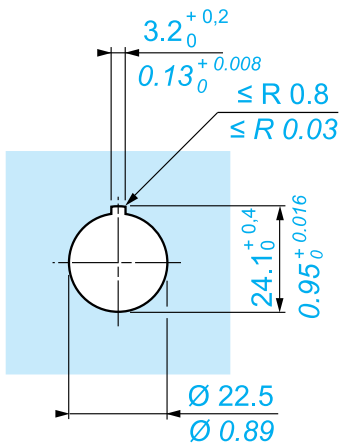
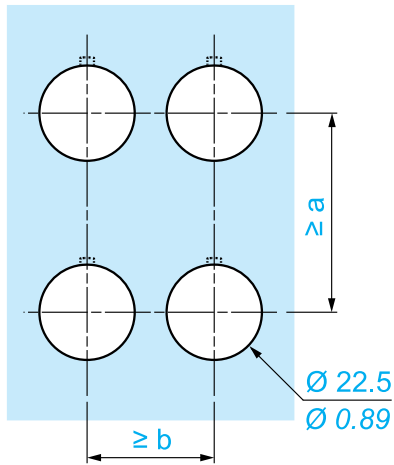
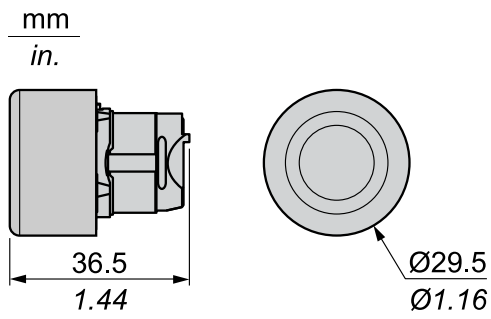
---

### **Contractual warranty**

---

<b>Warranty</b>	18 months
-----------------	-----------

**Dimensions**



		a (mm)	a (in.)	b (mm)	b (in.)
		40	1.57	30	1.18
ZBE●●●●●	ZBV●●●●●				
		45	1.77	32	1.26
ZBE●●●●●3	ZBV●●●●●3				
		40	1.57	30	1.18
ZBE●●●●●4	ZBV●●●●●4				
		50	1.97	30	1.18
ZBE●●●●●5	ZBV●●●●●5				
		40	1.57	30	1.18
ZBE●●●●●9	ZBV●●●●●9				
		40	1.57	30	1.18
ZBRT●	ZBRV1				

**Recommended replacement(s)**