

Product datasheet

Specifications



Head for illuminated push button, Harmony XB5, blue flush, 22mm, universal LED, spring return, unmarked

Local distributor code: 237217970 ZB5AW563

Important message : A change in appearance may be noted on the product but does not affect its use in terms of function and safety. This makes it compatible with our Universal LED blocks
EAN Code : 3389110924077

Main

Range of product	Harmony XB5
Product or component type	Head for illuminated push-button
Device short name	ZB5
Product compatibility	Universal LED
Bezel material	Dark grey plastic
Mounting diameter	22 mm
Sale per indivisible quantity	1
Head type	Standard
Shape of signaling unit head	Round
Type of operator	spring return
Operator profile	Blue flush, unmarked
Operator additional information	Clear boot

Complementary

CAD overall width	30 mm
CAD overall height	30 mm
CAD overall depth	37 mm
Net weight	0.019 kg
Resistance to high pressure washer	7000000 Pa at 55 °C, distance : 0.1 m
Mechanical durability	10000000 cycles
Main group	Illum push-button
Group of product	Flush push integral LED
Station name	XALD 1...5 cut-outs XALK 2...5 cut-outs
Cap/Operator or lens colour	Blue
Marking	Unmarked
Electrical composition code	M1 for <6 contacts using single blocks in front mounting with integral LED M2 for <6 contacts using single and double blocks in front mounting with integral LED

M6 for <2 contacts using single blocks in front mounting with integral LED and transformer
M10 for <2 contacts using single blocks in front mounting with integral LED
MF1 for <2 contacts using single blocks in front mounting with integral LED
MR1 for <2 contacts using single blocks in rear mounting with integral LED

Device presentation Basic sub-assemblies

Environment

Protective treatment TC

Ambient air temperature for storage -40...70 °C

Ambient air temperature for operation -40...70 °C

Overvoltage category Class II conforming to IEC 60536

IP degree of protection IP66 conforming to IEC 60529
IP67

NEMA degree of protection NEMA 13
NEMA 4X

IK degree of protection IK05 conforming to EN 50102

Standards CSA C22.2 No 14
EN/IEC 60947-5-4
UL 508
GB 14048.5
EN/IEC 60947-1
JIS C8201-5-1
EN/IEC 60947-5-1
JIS C8201-1

Product certifications CSA
BV
UL listed
DNV
LROS (Lloyds register of shipping)
GL

Vibration resistance 5 gn (f= 2...500 Hz) conforming to IEC 60068-2-6

Shock resistance 30 gn (duration = 18 ms) for half sine wave acceleration conforming to IEC 60068-2-27
50 gn (duration = 11 ms) for half sine wave acceleration conforming to IEC 60068-2-27

Packing Units

Unit Type of Package 1 PCE

Number of Units in Package 1 1

Package 1 Height 3.4 cm

Package 1 Width 4.8 cm

Package 1 Length 5.4 cm

Package 1 Weight 20 g

Unit Type of Package 2 BB1

Number of Units in Package 2 5

Package 2 Height 5.3 cm

Package 2 Width 3.4 cm

Package 2 Length 22.5 cm

Package 2 Weight 100 g

Unit Type of Package 3 S02

Number of Units in Package 3 50

Package 3 Height 15 cm

Package 3 Width 30 cm

Package 3 Length 40 cm

Package 3 Weight 1.32 kg

Offer Sustainability

Sustainable offer status Green Premium product

REACH Regulation [REACH Declaration](#)

EU RoHS Directive Pro-active compliance (Product out of EU RoHS legal scope)
[EU RoHS Declaration](#)

Mercury free Yes

China RoHS Regulation [China RoHS declaration](#)

RoHS exemption information Yes

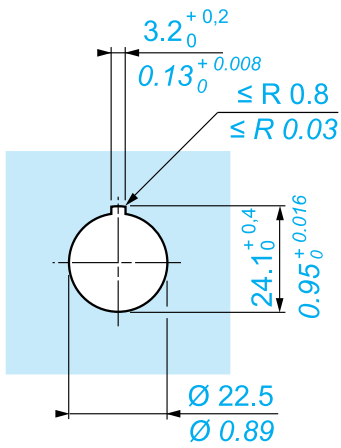
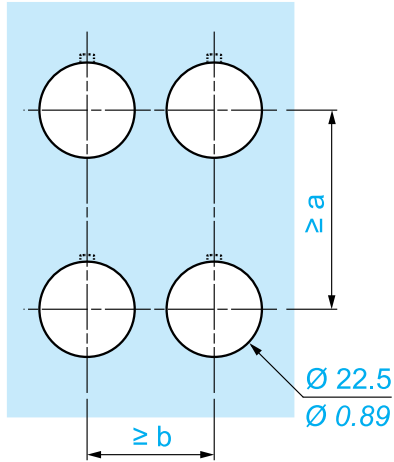
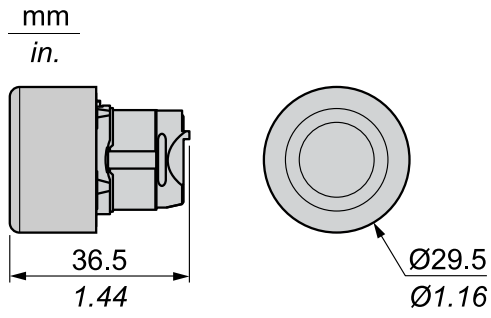
Environmental Disclosure [Product Environmental Profile](#)

Circularity Profile [End of Life Information](#)

Contractual warranty

Warranty 18 months

Dimensions



		a (mm)	a (in.)	b (mm)	b (in.)
		40	1.57	30	1.18
ZBE●●●●●	ZBV●●●●●				
		45	1.77	32	1.26
ZBE●●●●●3	ZBV●●●●●3				
		40	1.57	30	1.18
ZBE●●●●●4	ZBV●●●●●4				
		50	1.97	30	1.18
ZBE●●●●●5	ZBV●●●●●5				
		40	1.57	30	1.18
ZBE●●●●●9	ZBV●●●●●9				
		40	1.57	30	1.18
ZBRT●	ZBRV1				

Recommended replacement(s)