

Product datasheet

Specifications



Head for illuminated push button, Harmony XB5, plastic, red flush, 22mm, universal LED, spring return, plain lens

Local distributor code: 237217909 ZB5AW343

Important message : A change in appearance may be noted on the product but does not affect its use in terms of function and safety. This makes it compatible with our Universal LED blocks
EAN Code : 3389110909968

Main

Range of product	Harmony XB5
Product or component type	Head for illuminated push-button
Device short name	ZB5
Product compatibility	Universal LED
Bezel material	Dark grey plastic
Mounting diameter	22 mm
Sale per indivisible quantity	1
Head type	Standard
Shape of signaling unit head	Round
Type of operator	spring return
Operator profile	Red flush, unmarked
Operator additional information	With plain lens

Complementary

CAD overall width	29 mm
CAD overall height	29 mm
CAD overall depth	30 mm
Net weight	0.017 kg
Resistance to high pressure washer	7000000 Pa at 55 °C, distance : 0.1 m
Mechanical durability	10000000 cycles
Main group	Illum push-button
Group of product	Flush push integral LED
Station name	XALD 1...5 cut-outs XALK 2...5 cut-outs
Cap/Operator or lens colour	Red
Marking	Unmarked
Electrical composition code	M1 for <6 contacts using single blocks in front mounting with integral LED M2 for <6 contacts using single and double blocks in front mounting with integral LED

M6 for <2 contacts using single blocks in front mounting with integral LED and transformer
M10 for <2 contacts using single blocks in front mounting with integral LED
MF1 for <2 contacts using single blocks in front mounting with integral LED
MR1 for <2 contacts using single blocks in rear mounting with integral LED

Device presentation Basic sub-assemblies

Environment

Protective treatment TC

Ambient air temperature for storage -40...70 °C

Ambient air temperature for operation -40...70 °C

Overvoltage category Class II conforming to IEC 60536

IP degree of protection IP66 conforming to IEC 60529
IP67
IP69
IP69K

NEMA degree of protection NEMA 13
NEMA 4X

IK degree of protection IK05 conforming to EN 50102

Standards UL 508
GB 14048.5
JIS C8201-5-1
EN/IEC 60947-5-4
CSA C22.2 No 14
EN/IEC 60947-1
EN/IEC 60947-5-1
JIS C8201-1

Product certifications GL
LROS (Lloyds register of shipping)
BV
CSA
UL listed
DNV

Vibration resistance 5 gn (f= 2...500 Hz) conforming to IEC 60068-2-6

Shock resistance 30 gn (duration = 18 ms) for half sine wave acceleration conforming to IEC 60068-2-27
50 gn (duration = 11 ms) for half sine wave acceleration conforming to IEC 60068-2-27

Packing Units

Unit Type of Package 1 PCE

Number of Units in Package 1 1

Package 1 Height 4.500 cm

Package 1 Width 3.400 cm

Package 1 Length 5.400 cm

Package 1 Weight 17.0 g

Unit Type of Package 2 S03

Number of Units in Package 2 300

Package 2 Height 30.000 cm

Package 2 Width 30.000 cm

Package 2 Length 40.000 cm

Package 2 Weight 5.642 kg

Unit Type of Package 3 P06

Number of Units in Package 3 2400

Package 3 Height 77.000 cm

Package 3 Width 80.000 cm

Package 3 Length	60.000 cm
Package 3 Weight	55.180 kg

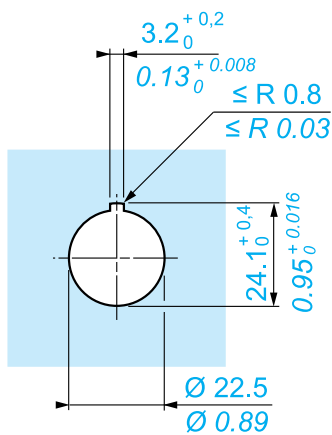
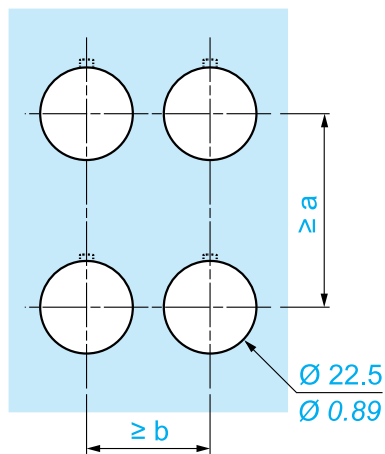
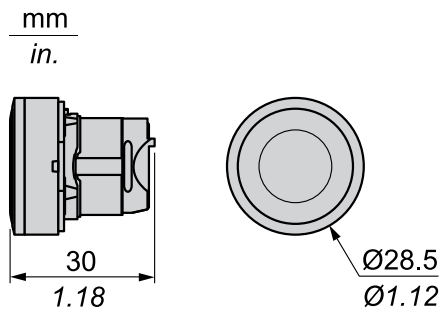
Offer Sustainability

Sustainable offer status	Green Premium product
REACH Regulation	REACH Declaration
EU RoHS Directive	Pro-active compliance (Product out of EU RoHS legal scope) EU RoHS Declaration
Mercury free	Yes
China RoHS Regulation	China RoHS declaration
RoHS exemption information	Yes
Environmental Disclosure	Product Environmental Profile
Circularity Profile	End of Life Information

Contractual warranty

Warranty	18 months
----------	-----------

Dimensions



		a (mm)	a (in.)	b (mm)	b (in.)
		40	1.57	30	1.18
ZBE●●●●●	ZBV●●●●●				
		45	1.77	32	1.26
ZBE●●●●●3	ZBV●●●●●3				
		40	1.57	30	1.18
ZBE●●●●●4	ZBV●●●●●4				
		50	1.97	30	1.18
ZBE●●●●●5	ZBV●●●●●5				
		40	1.57	30	1.18
ZBE●●●●●9	ZBV●●●●●9				
		40	1.57	30	1.18
ZBRT●	ZBRV1				

Recommended replacement(s)