

# Product datasheet

Specifications



Head for illuminated push button, Harmony XB5, plastic, white flush, 22mm, universal LED, spring return, plain lens

Local distributor code: 237217886 ZB5AW313

**Important message : A change in appearance may be noted on the product but does not affect its use in terms of function and safety. This makes it compatible with our Universal LED blocks**  
EAN Code : 3389110909920

## Main

Range of product	Harmony XB5
Product or component type	Head for illuminated push-button
Device short name	ZB5
Product compatibility	Universal LED
Bezel material	Dark grey plastic
Mounting diameter	22 mm
Sale per indivisible quantity	1
Head type	Standard
Shape of signaling unit head	Round
Type of operator	spring return
Operator profile	White flush, unmarked
Operator additional information	With plain lens

## Complementary

CAD overall width	29 mm
CAD overall height	29 mm
CAD overall depth	30 mm
Net weight	0.017 kg
Resistance to high pressure washer	7000000 Pa at 55 °C, distance : 0.1 m
Mechanical durability	10000000 cycles
Main group	Illum push-button
Group of product	Flush push integral LED
Station name	XALD 1...5 cut-outs XALK 2...5 cut-outs
Cap/Operator or lens colour	White
Marking	Unmarked
Electrical composition code	M1 for <6 contacts using single blocks in front mounting with integral LED M2 for <6 contacts using single and double blocks in front mounting with integral LED

M6 for <2 contacts using single blocks in front mounting with integral LED and transformer  
M10 for <2 contacts using single blocks in front mounting with integral LED  
MF1 for <2 contacts using single blocks in front mounting with integral LED  
MR1 for <2 contacts using single blocks in rear mounting with integral LED

**Device presentation** Basic sub-assemblies

## Environment

**Protective treatment** TC

**Ambient air temperature for storage** -40...70 °C

**Ambient air temperature for operation** -40...70 °C

**Overvoltage category** Class II conforming to IEC 60536

**IP degree of protection** IP66 conforming to IEC 60529  
IP67  
IP69  
IP69K

**NEMA degree of protection** NEMA 13  
NEMA 4X

**IK degree of protection** IK05 conforming to EN 50102

**Standards** UL 508  
GB 14048.5  
EN/IEC 60947-5-4  
EN/IEC 60947-5-1  
CSA C22.2 No 14  
JIS C8201-5-1  
EN/IEC 60947-1  
JIS C8201-1

**Product certifications** DNV  
UL listed  
LROS (Lloyds register of shipping)  
CSA  
BV  
GL

**Vibration resistance** 5 gn (f= 2...500 Hz) conforming to IEC 60068-2-6

**Shock resistance** 30 gn (duration = 18 ms) for half sine wave acceleration conforming to IEC 60068-2-27  
50 gn (duration = 11 ms) for half sine wave acceleration conforming to IEC 60068-2-27

## Packing Units

**Unit Type of Package 1** PCE

**Number of Units in Package 1** 1

**Package 1 Height** 4.400 cm

**Package 1 Width** 3.400 cm

**Package 1 Length** 5.100 cm

**Package 1 Weight** 17.000 g

**Unit Type of Package 2** BB1

**Number of Units in Package 2** 5

**Package 2 Height** 4.400 cm

**Package 2 Width** 3.400 cm

**Package 2 Length** 26.500 cm

**Package 2 Weight** 85.000 g

**Unit Type of Package 3** S03

**Number of Units in Package 3** 300

**Package 3 Height** 30 cm

**Package 3 Width** 30 cm

Package 3 Length	40 cm
Package 3 Weight	5.656 kg

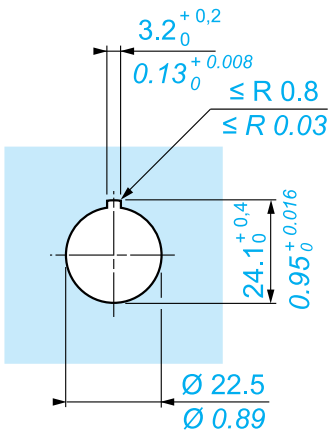
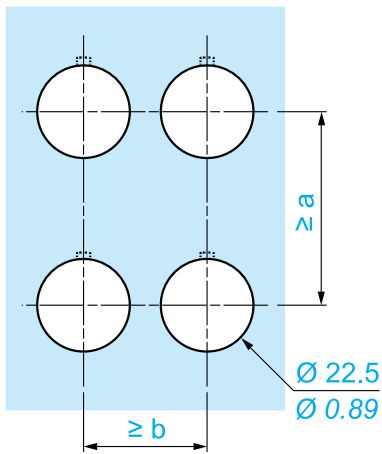
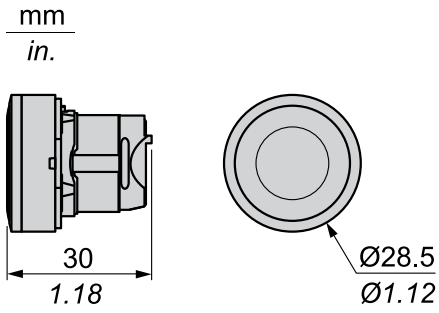
## Offer Sustainability

Sustainable offer status	Green Premium product
REACH Regulation	<a href="#">REACH Declaration</a>
EU RoHS Directive	Pro-active compliance (Product out of EU RoHS legal scope) <a href="#">EU RoHS Declaration</a>
Mercury free	Yes
China RoHS Regulation	<a href="#">China RoHS declaration</a>
RoHS exemption information	Yes
Environmental Disclosure	<a href="#">Product Environmental Profile</a>
Circularity Profile	<a href="#">End of Life Information</a>

## Contractual warranty

Warranty	18 months
----------	-----------

**Dimensions**



		a (mm)	a (in.)	b (mm)	b (in.)
		40	1.57	30	1.18
ZBE●●●●●	ZBV●●●●●				
		45	1.77	32	1.26
ZBE●●●●●3	ZBV●●●●●3				
		40	1.57	30	1.18
ZBE●●●●●4	ZBV●●●●●4				
		50	1.97	30	1.18
ZBE●●●●●5	ZBV●●●●●5				
		40	1.57	30	1.18
ZBE●●●●●9	ZBV●●●●●9				
		40	1.57	30	1.18
ZBRT●	ZBRV1				

**Recommended replacement(s)**