

# Product datasheet

Specifications



Projecting push button head Ø40, plastic, red, Ø22, spring return, marked O

Local distributor code: 237178527 ZB5AL432

EAN Code : 3389110906462

## Main

|                               |                                      |
|-------------------------------|--------------------------------------|
| Range of product              | Harmony XB5                          |
| Product or component type     | Head for non-illuminated push-button |
| Device short name             | ZB5                                  |
| Bezel material                | Dark grey plastic                    |
| Mounting diameter             | 22 mm                                |
| Head type                     | Standard                             |
| Sale per indivisible quantity | 1                                    |
| Shape of signaling unit head  | Round                                |
| Type of operator              | spring return                        |
| Operator profile              | Red projecting, O (white)            |

## Complementary

|                             |  |
|-----------------------------|--|
| CAD overall width           | 29 mm  |
| CAD overall height          | 29 mm  |
| CAD overall depth           | 33 mm  |
| Net weight                  | 0.019 kg   |
| Mechanical durability       | 10000000 cycles  |
| Station name                | XALD 1...5 cut-outs<br>XALK 2...5 cut-outs   |
| Electrical composition code | C1 for <9 contacts using single blocks in front mounting<br>C2 for <9 contacts using single and double blocks in front mounting<br>C11 for <3 contacts using single blocks in front mounting<br>C15 for <1 contacts using single blocks in front mounting<br>SF1 for <3 contacts using single blocks in front mounting<br>SR1 for <3 contacts using single blocks in rear mounting |
| Device presentation         | Basic element  |

## Environment

|                                       |                                  |
|---------------------------------------|----------------------------------|
| Protective treatment                  | TH                               |
| Ambient air temperature for storage   | -40...70 °C                      |
| Ambient air temperature for operation | -40...70 °C                      |
| Overvoltage category                  | Class II conforming to IEC 60536 |

|   |  |
|---|--|
| <b>IP degree of protection</b>            | IP66 conforming to IEC 60529<br>IP67<br>IP69<br>IP69K  |
| <b>NEMA degree of protection</b>          | NEMA 13<br>NEMA 4X   |
| <b>Resistance to high pressure washer</b> | 7000000 Pa at 55 °C, distance : 0.1 m  |
| <b>IK degree of protection</b>            | IK03 conforming to IEC 50102   |
| <b>Standards</b>                          | CSA C22.2 No 14<br>UL 508<br>EN/IEC 60947-5-1<br>JIS C8201-5-1<br>EN/IEC 60947-1<br>EN/IEC 60947-5-4<br>JIS C8201-1  |
| <b>Product certifications</b>             | BV<br>LROS (Lloyds register of shipping)<br>DNV<br>CSA<br>GL<br>UL listed  |
| <b>Shock resistance</b>                   | 30 gn (duration = 18 ms) for half sine wave acceleration conforming to IEC 60068-2-27<br>50 gn (duration = 11 ms) for half sine wave acceleration conforming to IEC 60068-2-27 |
| <b>Vibration resistance</b>               | 5 gn (f= 2...500 Hz) conforming to IEC 60068-2-6   |

## Packing Units

|                                     |           |
|-------------------------------------|-----------|
| <b>Unit Type of Package 1</b>       | PCE       |
| <b>Number of Units in Package 1</b> | 1         |
| <b>Package 1 Height</b>             | 4.300 cm  |
| <b>Package 1 Width</b>              | 3.500 cm  |
| <b>Package 1 Length</b>             | 5.400 cm  |
| <b>Package 1 Weight</b>             | 18.000 g  |
| <b>Unit Type of Package 2</b>       | S03       |
| <b>Number of Units in Package 2</b> | 300       |
| <b>Package 2 Height</b>             | 30.000 cm |
| <b>Package 2 Width</b>              | 30.000 cm |
| <b>Package 2 Length</b>             | 40.000 cm |
| <b>Package 2 Weight</b>             | 5.887 kg  |

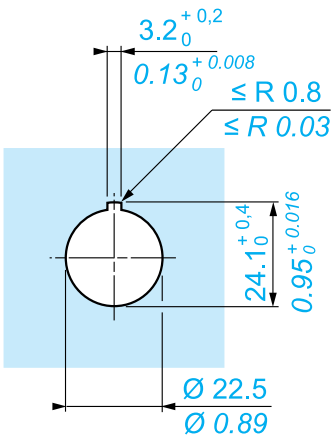
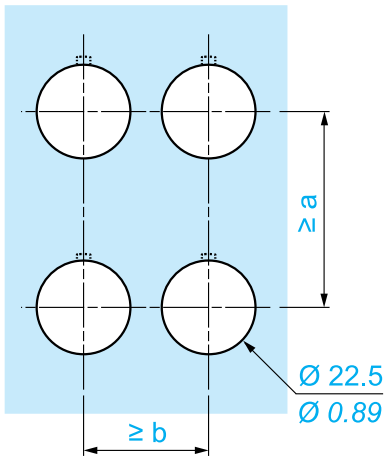
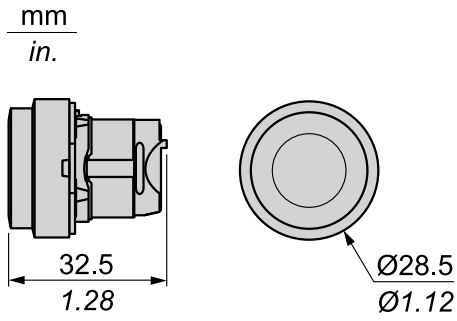
## Offer Sustainability

|                                   |   |
|-----------------------------------|---|
| <b>Sustainable offer status</b>   | Green Premium product   |
| <b>REACH Regulation</b>           | <a href="#">REACH Declaration</a>   |
| <b>EU RoHS Directive</b>          | Pro-active compliance (Product out of EU RoHS legal scope)<br><a href="#">EU RoHS Declaration</a> |
| <b>Mercury free</b>               | Yes   |
| <b>China RoHS Regulation</b>      | <a href="#">China RoHS declaration</a>  |
| <b>RoHS exemption information</b> | Yes   |
| <b>Environmental Disclosure</b>   | <a href="#">Product Environmental Profile</a>   |
| <b>Circularity Profile</b>        | <a href="#">End of Life Information</a>   |

## Contractual warranty

|                 |           |
|-----------------|-----------|
| <b>Warranty</b> | 18 months |
|-----------------|-----------|

Dimensions



|           |           | a (mm) | a (in.) | b (mm) | b (in.) |
|-----------|-----------|--------|---------|--------|---------|
|           |           | 40     | 1.57    | 30     | 1.18    |
| ZBE●●●●●  | ZBV●●●●●  |        |         |        |         |
|           |           | 45     | 1.77    | 32     | 1.26    |
| ZBE●●●●●3 | ZBV●●●●●3 |        |         |        |         |
|           |           | 40     | 1.57    | 30     | 1.18    |
| ZBE●●●●●4 | ZBV●●●●●4 |        |         |        |         |
|           |           | 50     | 1.97    | 30     | 1.18    |
| ZBE●●●●●5 | ZBV●●●●●5 |        |         |        |         |
|           |           | 40     | 1.57    | 30     | 1.18    |
| ZBE●●●●●9 | ZBV●●●●●9 |        |         |        |         |
|           |           | 40     | 1.57    | 30     | 1.18    |
| ZBRT●     | ZBRV1     |        |         |        |         |

Recommended replacement(s)