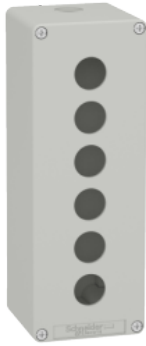


Product datasheet

Specifications



Harmony XAP, XB2 SL, Empty control station, zinc alloy, grey, M25, 6 cut-outs 22mm, 80 x 220 x 77

XAPD4506

EAN Code : 3389119011471

Main

| | |
|-------------------------------|--|
| Range of product | Harmony XAP |
| Product or component type | Die-cast empty control station |
| Device short name | XAPD |
| Product destination | For Ø 22 mm control and signalling units |
| Product front plate size | 80 x 220 mm |
| Usable depth | 74.5 mm |
| Number of cut-out | 6 cut-outs |
| Colour of base of enclosure | Grey (RAL 7035) |
| Colour of cover | Grey (RAL 7035) |
| Material | Die cast zinc |
| Sale per indivisible quantity | 1 |
| IP degree of protection | IP65 conforming to EN/IEC 60529 and EN/IEC 60947-5-1 |

Complementary

| | |
|---------------------------|-----------------------------------|
| Number of vertical rows | 1 |
| Number of horizontal rows | 6 |
| Cut-out dimensions | Ø 22 mm |
| Control station type | Metal |
| Cable entry | 1 x cable gland conforming to ISO |
| Thread type | M25 x 1.5 |
| CAD overall width | 80 mm |
| CAD overall height | 220 mm |
| CAD overall depth | 77 mm |
| Net weight | 1.38 kg |

Environment

| | |
|-------------------------------------|-------------|
| Protective treatment | TC |
| Ambient air temperature for storage | -40...70 °C |

| | |
|--|--|
| Ambient air temperature for operation | -25...70 °C |
| Electrical shock protection class | Class I conforming to EN/IEC 61140 |
| IK degree of protection | IK07 conforming to EN/IEC 62262 |
| Resistance to chemical agents | Special treatment can be obtained on request |
| Product certifications | EAC |

Packing Units

| | |
|-------------------------------------|-----------|
| Unit Type of Package 1 | PCE |
| Number of Units in Package 1 | 1 |
| Package 1 Height | 9.000 cm |
| Package 1 Width | 13.000 cm |
| Package 1 Length | 23.000 cm |
| Package 1 Weight | 1.575 kg |
| Unit Type of Package 2 | S03 |
| Number of Units in Package 2 | 7 |
| Package 2 Height | 30.000 cm |
| Package 2 Width | 30.000 cm |
| Package 2 Length | 40.000 cm |
| Package 2 Weight | 11.438 kg |
| Unit Type of Package 3 | P06 |
| Number of Units in Package 3 | 56 |
| Package 3 Height | 75.000 cm |
| Package 3 Width | 80.000 cm |
| Package 3 Length | 60.000 cm |
| Package 3 Weight | 99.504 kg |

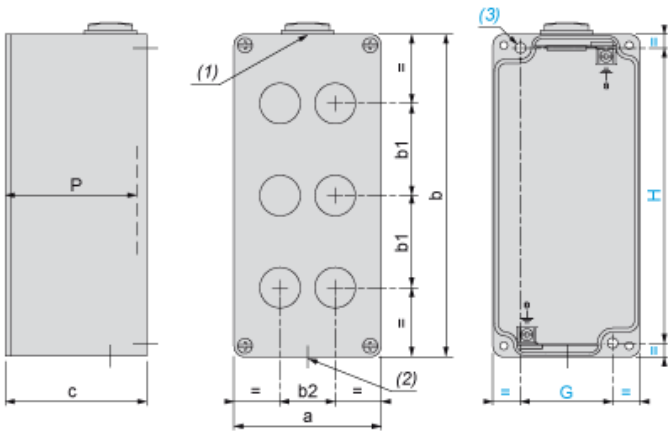
Offer Sustainability

| | |
|-----------------------------------|---|
| Sustainable offer status | Green Premium product |
| REACH Regulation | REACH Declaration |
| REACH free of SVHC | Yes |
| EU RoHS Directive | Pro-active compliance (Product out of EU RoHS legal scope) EU RoHS Declaration |
| Mercury free | Yes |
| China RoHS Regulation | China RoHS declaration |
| RoHS exemption information | Yes |
| Environmental Disclosure | Product Environmental Profile |

Contractual warranty

| | |
|-----------------|-----------|
| Warranty | 18 months |
|-----------------|-----------|

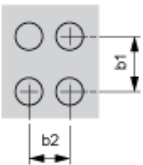
Dimensions and Fixing



- (1) : 1 hole, with blanking plug (protrusion 6 mm/0.24 in.), for cable gland ISO M25 x 1.5
- (2) : 1 hole, without blanking plug, for cable gland ISO M25 x 1.5
- (3) : 2 x Ø 5.6 mm/0.22 in. holes, depth 19 mm/0.75 in.
- P : Usable depth

| a | | b | | c | | G | | H | | P | |
|----|------|-----|------|----|------|----|------|-----|------|------|------|
| mm | in. | mm | in. | mm | in. | mm | in. | mm | in. | mm | in. |
| 80 | 3.15 | 220 | 8.66 | 77 | 3.03 | 50 | 1.97 | 205 | 8.07 | 74.5 | 2.93 |

6 holes, Cut-out interaxis 22.5 mm ± 0.2 mm / 0.885 in. ± 0.0078 in. dimensions (vertical mounting)



- b1 Vertical interaxis: 30 mm/1.18 in.
- b2 Horizontal interaxis: in center of the box

Recommended replacement(s)