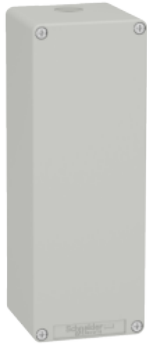


# Product datasheet

Specifications



Harmony XAP, XB2 SL, Empty control station, zinc alloy, grey, M25, undrilled, 80 x 220 x 77

XAPD44

EAN Code : 3389118324893

## Main

Range of product	Harmony XAP
Product or component type	Die-cast empty control station
Device short name	XAPD
Product destination	For Ø 22 mm control and signalling units
Product front plate size	80 x 220 mm
Usable depth	74.5 mm
Number of cut-out	Without cut-out
Colour of base of enclosure	Grey (RAL 7035)
Colour of cover	Grey (RAL 7035)
Material	Die cast zinc
Sale per indivisible quantity	1
IP degree of protection	IP65 conforming to EN/IEC 60529 and EN/IEC 60947-5-1

## Complementary

Number of vertical rows	0
Number of horizontal rows	0
Control station type	Metal
Cable entry	1 x cable gland conforming to ISO
Thread type	M25 x 1.5
CAD overall width	80 mm
CAD overall height	220 mm
CAD overall depth	77 mm
Net weight	1.38 kg

## Environment

Protective treatment	TC
Ambient air temperature for storage	-40...70 °C
Ambient air temperature for operation	-25...70 °C

<b>Electrical shock protection class</b>	Class I conforming to EN/IEC 61140
<b>IK degree of protection</b>	IK07 conforming to EN/IEC 62262
<b>Resistance to chemical agents</b>	Special treatment can be obtained on request
<b>Product certifications</b>	EAC

## Packing Units

<b>Unit Type of Package 1</b>	PCE
<b>Number of Units in Package 1</b>	1
<b>Package 1 Height</b>	8.900 cm
<b>Package 1 Width</b>	13.300 cm
<b>Package 1 Length</b>	23.000 cm
<b>Package 1 Weight</b>	1.601 kg
<b>Unit Type of Package 2</b>	S03
<b>Number of Units in Package 2</b>	7
<b>Package 2 Height</b>	30.000 cm
<b>Package 2 Width</b>	30.000 cm
<b>Package 2 Length</b>	40.000 cm
<b>Package 2 Weight</b>	11.597 kg
<b>Unit Type of Package 3</b>	P06
<b>Number of Units in Package 3</b>	56
<b>Package 3 Height</b>	75.000 cm
<b>Package 3 Width</b>	80.000 cm
<b>Package 3 Length</b>	60.000 cm
<b>Package 3 Weight</b>	100.776 kg

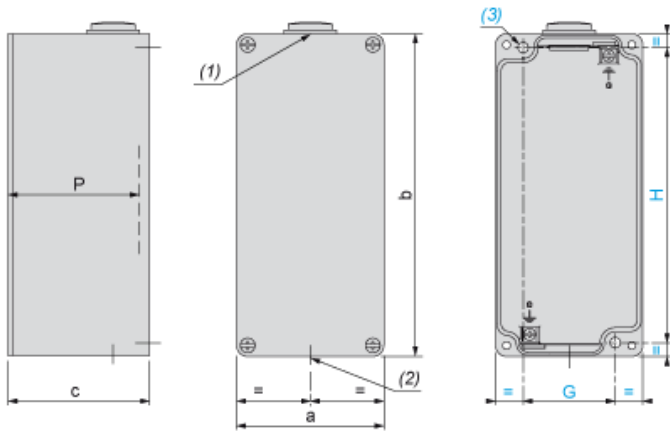
## Offer Sustainability

<b>Sustainable offer status</b>	Green Premium product
<b>REACH Regulation</b>	<a href="#">REACH Declaration</a>
<b>REACH free of SVHC</b>	Yes
<b>EU RoHS Directive</b>	Pro-active compliance (Product out of EU RoHS legal scope) <a href="#">EU RoHS Declaration</a>
<b>Mercury free</b>	Yes
<b>China RoHS Regulation</b>	<a href="#">China RoHS declaration</a>
<b>RoHS exemption information</b>	<a href="#">Yes</a>
<b>Environmental Disclosure</b>	<a href="#">Product Environmental Profile</a>

## Contractual warranty

<b>Warranty</b>	18 months
-----------------	-----------

**Dimensions and Fixing**



- (1) : 1 hole, with blanking plug (protrusion 6 mm/0.24 in.), for cable gland ISO M25 x 1.5
- (2) : 1 hole, without blanking plug, for cable gland ISO M25 x 1.5
- (3) : 2 x Ø 5.6 mm/0.22 in. holes, depth 19 mm/0.75 in.
- P : Usable depth

a		b		c		G		H		P	
mm	in.	mm	in.	mm	in.	mm	in.	mm	in.	mm	in.
80	3.15	220	8.66	77	3.03	50	1.97	205	8.07	74.5	2.93

**Recommended replacement(s)**