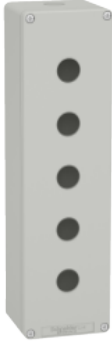


Product datasheet

Specifications



Empty control station, Harmony XAP, XB2 SL, aluminium, grey, M32, 5 cut outs 22mm, 85x310x77mm

XAPD5505

EAN Code : 3389119013048

Main

Range of product	Harmony XAP
Product or component type	Die-cast empty control station
Device short name	XAPD
Product destination	For Ø 22 mm control and signalling units
Product front plate size	85 x 310 mm
Usable depth	74.5 mm
Number of cut-out	5 cut-outs
Colour of base of enclosure	Grey (RAL 7035)
Colour of cover	Grey (RAL 7035)
Material	Die cast aluminium
Sale per indivisible quantity	1
IP degree of protection	IP65 conforming to EN/IEC 60529 and EN/IEC 60947-5-1

Complementary

Number of vertical rows	1
Number of horizontal rows	5
Cut-out dimensions	Ø 22 mm
Control station type	Metal
Cable entry	1 x cable gland conforming to ISO
Thread type	M32 x 1.5
CAD overall width	85 mm
CAD overall height	310 mm
CAD overall depth	77 mm
Net weight	0.81 kg

Environment

Protective treatment	TC
Ambient air temperature for storage	-40...70 °C

Ambient air temperature for operation	-25...70 °C
Electrical shock protection class	Class I conforming to EN/IEC 61140
IK degree of protection	IK06 conforming to EN/IEC 62262
Resistance to chemical agents	Special treatment can be obtained on request
Product certifications	EAC

Packing Units

Unit Type of Package 1	PCE
Number of Units in Package 1	1
Package 1 Height	7.7 cm
Package 1 Width	8.5 cm
Package 1 Length	31.0 cm
Package 1 Weight	830.0 g

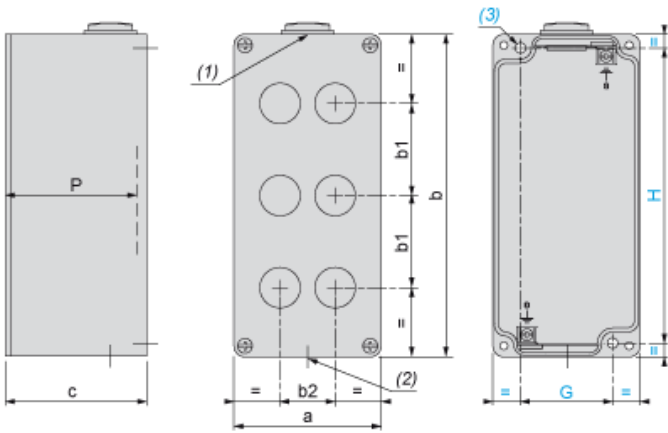
Offer Sustainability

REACH Regulation	REACH Declaration
REACH free of SVHC	Yes
EU RoHS Directive	Pro-active compliance (Product out of EU RoHS legal scope) EU RoHS Declaration
Mercury free	Yes
China RoHS Regulation	China RoHS declaration
RoHS exemption information	Yes

Contractual warranty

Warranty	18 months
-----------------	-----------

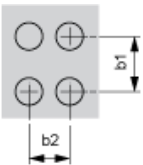
Dimensions and Fixing



- (1) : 1 hole, with blanking plug (protrusion 6 mm/0.24 in.), for cable gland ISO M32 x 1.5
- (2) : 1 hole, without blanking plug, for cable gland ISO M32 x 1.5
- (3) : 2 x Ø 5.6 mm/0.22 in. holes, depth 19 mm/0.75 in.
- P : Usable depth

a		b		c		G		H		P	
mm	in.	mm	in.	mm	in.	mm	in.	mm	in.	mm	in.
85	3.35	310	12.20	77	3.03	55	2.17	295	11.61	74.5	2.93

5 holes, Cut-out interaxis 22.5 mm ± 0.2 mm / 0.885 in. ± 0.0078 in. dimensions (vertical mounting)



- b1 Vertical interaxis: 50 mm/1.97 in.
- b2 Horizontal interaxis: in center of the box

Recommended replacement(s)