

ARCA 404021W



Sample image

Order symbol : ARCA 404021W

Product nr : 8120129

UL Code : UL508A

Description : Cabinet, PC

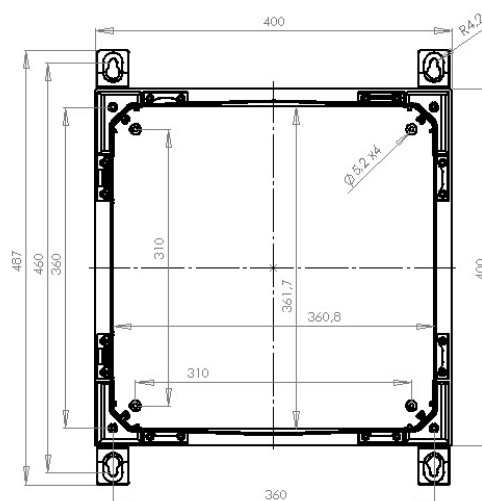
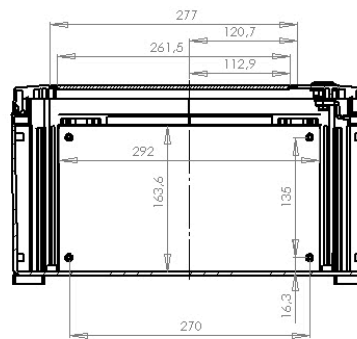
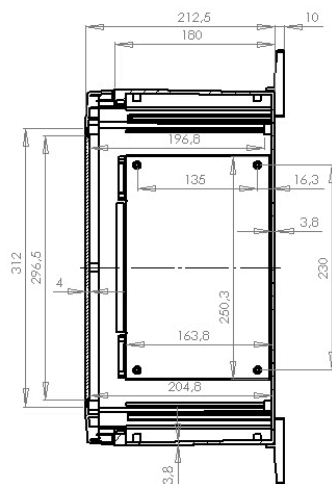
Remarks : Grey cover with window. 2-point locking.

EAN : 6418074079985

El. number :

- Finland : 3423202
- Denmark : 8212097670

Including : Cabinet base. door with PUR gasket. mounting plate. screws for mounting plate. 3mm double bit lock(s) with key. S versions with swinghandle 2-point locking system. Door guide included.



Dimensions :	Height	Width	Depth
mm :	400	400	210
inch :	15.75	15.75	8.27

Materials :

Material :	Polycarbonate
Base colour :	RAL_7035
Cover colour :	Clear transparent
Gasket material :	Polyurethane

Temperatures :

Temperature °C (short term) :	-40 ... 120
Temperature °C (continuous) :	-40 ... 80
Temperature °F (short term) :	-40 ... 250
Temperature °F (continuous) :	-40 ... 175

Accessories :

IDS ARCA 4040	Inner door set (380 x 380 x 30)
MPX ARCA 4040	Mounting plate (350x350 mm) (350 x 350 x 5)
MPMP ARCA 4040	Mounting plate multiperforated (350x350x2 mm - ø3.6 mm) (350 x 350 x 2)
DRS ARCA 404021	DIN rail frame set (380 x 380 x 30)
MPS ARCA 4040	Mounting plate (350x250x2 mm) (350 x 350 x 2)
MPP ARCA 4040	Mounting plate perforated (350x350x2 mm - 26x11 mm) (350 x 350 x 2)

Ratings :

Ingress protection (EN 60529):	IP65;
Impact Resistance (EN 62262):	IK08;
electrical_insulation :	Totally insulated
Halogen free (DIN/VDE 0472, Part 815) :	Yes
UV resistance :	UL 508
Flammability Rating :	UL 94 5VA
Glow Wire Test (IEC 695-2-1) °C :	960C