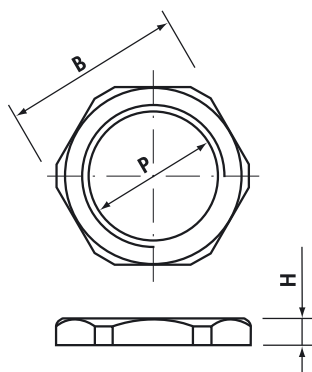


LOCKNUTS NICKEL PLATED BRASS

Metric thread M 1.5 pitch CEI EN 60423

Ref. Nickel Plated Brass	P	B Spanner (mm)	H (mm)	Quantity Box/Bag
2033M12N	M12X1,5	16	2,8	2.000/100
2033M16N	M16X1,5	19	2,8	1.000/100
2033M20N	M20X1,5	24	3	600/100
2033M25N	M25X1,5	30	4,0	400/50
2033M32N	M32X1,5	36	4	250/25
2033M40N	M40X1,5	45	5,0	150/10
2033M50N	M50X1,5	60	5	100/10
2033M63N	M63X1,5	70	5,5	50/5

Pg thread DIN 40 430 - Dimensions DIN 46 320

Ref. Nickel Plated Brass	P	B Spanner (mm)	H (mm)	Quantity Box/Bag
2032007N	Pg 7	16*	2,8	1.500/100
2032009N	Pg 9	18	2,8	1.500/100
2032011N	Pg11	21	3	1.000/100
2032013N	Pg13,5	23	3	1.000/100
2032016N	Pg16	26	3	600/100
2032021N	Pg21	32	3,5	500/100
2032029N	Pg29	41	4	300/100
2032036N	Pg36	51	5	100/10
2032042N	Pg42	60	5	50/10
2032048N	Pg48	64	5,5	50/10

*Different dimension to DIN 46320

Technical details:

MATERIAL :
CuZn39Pb3 Nickel Plated

NICKEL PLATING THICKNESS :
2 ÷ 4 µm

TEMPERATURE RANGE :
-25°C ÷ +100°C (continuous)

RESISTANCE TO CHEMICALS:
See Annexe A
(R=Resistant; LR= Low Resistance;
NR= Not Resistant)

BSP thread ISO 228/1

Ref. Plain Brass	P	B Spanner (mm)	H (mm)	Quantity Box/Bag
2031014	G1/4"	16	3	2.400/100
2031038	G3/8"	19	3	2.000/100
2031012	G1/2"	24	3,5	1.000/100
2031058	G5/8"	26	4	500/50
2031034	G3/4"	30	4	500/50
2031100	G1"	37	4	250/25
2031118	G1"1/8	41	4,5	100/25
2031114	G1"1/4	45	4,5	200/20
2031112	G1"1/2	52	5,5	100/20
2031200	G2"	64	7	50/10
2031212	G2"1/2	80	7	20/5
2031300	G3"	95	8	20/5

Add to Ref: N for NICKEL PLATED BRASS

Cembre SpA

Via Serenissima, 9 - 25135 Brescia (Italy)
Tel.: +39 030 36921 - Fax: +39 030 3365766
Web: www.cembre.com - Email: info@cembre.com

LOCKNUTS NICKEL PLATED BRASS
Annexe A:

Element	Evaluation of the resistance to chemical agents			
	Excellent	Good	Sufficient	Insufficient
Acetylene				
Vinegar				
Acetone				
Acetic acid				
Benzoic acid				
Boric acid				
Hydrobromic acid				
Carbolic acid (phenol)				
Hydrogen cyanide Anhydrous				
Hydrogen cyanide wet				
Citric Acid				
Chloroacetic acid				
Hydrochloric acid				
Chromium acid				
Hydrofluoric acid Anhydrous				
Hydrofluoric acid wet				
Hexafluorosilicic acid				
Formic acid				
Phosphoric acid,				
Lactic acid				
Nitric acid				
Oleic acid				
Oxalic acid				
Palmitic acid				
Hydrogen sulfide Anhydrous				
Hydrogen sulfide wet				
Sulphuric acid 40%				
Sulphuric acid 80-90%				
Sulfurous acid				
Stearic acid				
Tannic acid				
Tartaric acid				
Trichloroacetic acid				
Seawater				
Hydrogen peroxide (up to 10%)				
Hydrogen peroxide (above 10%)				
Drinking water				
Water, condensate				
Blackwaters				
Acid underground water				
Wetting				
Alkanes				
Alcohol				
Furfuraldehyde				
Aldehyde				
Alumina				

Cembre SpA

Via Serenissima, 9 - 25135 Brescia (Italy)

Tel.: +39 030 36921 - Fax: +39 030 3365766

Web: www.cembre.com - Email: info@cembre.com

LOCKNUTS NICKEL PLATED BRASS
Annexe A:

Aluminium chloride				
Aluminium hydroxide				
Alluminium sulfate and alum				
Ammonia anhydrous				
Ammonia wet				
Ammonium chloride				
Ammonio idrossido				
ammonium nitrate				
Ammonium sulfate				
Carbon dioxide anhydrous				
Carbon dioxide wet				
Sulfur trioxide anhydrous				
Sulfur dioxide anhydrous				
Sulfur dioxide wet				
Aniline and aniline dye				
Asphalt				
Industrial atmosphere				
Sea Atmosphere				
Country atmosphere				
Barium carbonate				
Barium chloride				
Barium hydroxide				
Barium sulfate				
Gasoline and benzene				
Carbonated beverages				
Beer				
Borax				
Bromine anhydrous				
Bromine wet				
Butane				
Lime sulphoric				
Quicklime				
Calcium bisulphate				
Calcium chloride				
Calcium hydroxide				
Calcium hypochlorite				
Carbon tetrachloride anhydrous				
Carbon tetrachloride wet				
Kerosene				
Ketone				
Chlorine anhydrous				
Chlorine wet				
Chloroform anhydrous				
Ferric chloride				
Ferrous chloride				
Glue				
Colophony				
Lithium compounds				
Creosote				
Dowterm A (diathermic oil)				

Cembre SpA

Via Serenissima, 9 - 25135 Brescia (Italy)

Tel.: +39 030 36921 - Fax: +39 030 3365766

Web: www.cembre.com - Email: info@cembre.com

LOCKNUTS NICKEL PLATED BRASS
Annexe A:

Ester		Yellow		
Ethanolamine		Yellow		
Ether	Blue			
Formaldehyde ed aldehyde		Yellow		
Freon	Blue			
Liquefied petroleum gas and Methane	Blue			
Diesel fuel	Blue			
Gel	Blue			
Glycerol		Yellow		
Ethylene glycol		Yellow		
Glucose	Blue			
Hydrocarbon	Blue			
Hydrogen	Blue			
Lacquer	Blue			
Milck		Yellow		
Watewaters			Red	
Magnesium chloride				
Magnesium hydroxide		Yellow		
Magnesium sulfate		Yellow		
Molasses		Yellow		
Mercury and Salt				Green
Naphtha		Yellow		
Nickel chloride				Green
nickel sulfate				Green
Linseed oil		Yellow		
Corn oil		Yellow		
Castor oil	Blue			
Vegetable oils		Yellow		
Oxygen	Blue			
Paraffin	Blue			
Bordeaux mixture		Yellow		
Whitening Powder (wet)				Green
Potash			Red	
Potassium carbonate	Blue			
Potassium cyanide				Green
Potassium chloride				Green
Potassium dichromate				Green
Potassium sulfate		Yellow		
Copper(II) chloride				Green
Copper(II) nitrate				Green
Copper(II) sulfate				Green
Brine				Green
Silver nitrate				Green
Sugarcane sirop	Blue			
Beet sirop		Yellow		
Soda			Red	
Sodium bicarbonate		Yellow		
Sodium sulfate			Red	
Sodium bicarbonate		Yellow		
Sodium cyanide				Green

Cembre SpA

Via Serenissima, 9 - 25135 Brescia (Italy)

Tel.: +39 030 36921 - Fax: +39 030 3365766

Web: www.cembre.com - Email: info@cembre.com

LOCKNUTS NICKEL PLATED BRASS
Annexe A:

Sodium chloride				
Sodium chromate				
Sodium dichromate				
Trisodium phosphate				
Sodium hypochlorite				
Sodium nitrate				
Sodium peroxide				
Sodium silicate				
Sodium sulfate				
Sodium sulfide and thiosulfate				
Iron(III) sulfate				
Iron(II) sulfate				
Soaped solutions				
Sugar solutions				
Acetate solvent				
Lacquer solvents				
Toluene				
Turpentine				
Trichloroethylene anhydrous				
Tricloroetilene umido				
Water vapor				
Paints				
Whiskey				
Zinc chloride				
Zinc sulfate				
Thionyl chloride anhydrous				
Thionyl chloride wet				
Sulfur				
Solid sulfur				

Cembre SpA

Via Serenissima, 9 - 25135 Brescia (Italy)

Tel.: +39 030 36921 - Fax: +39 030 3365766

Web: www.cembre.com - Email: info@cembre.com