

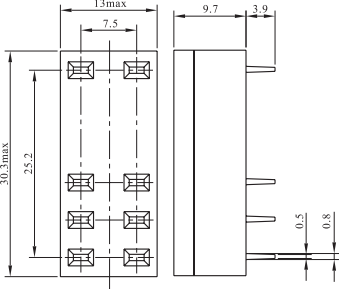
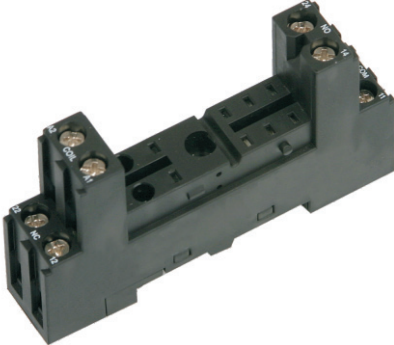

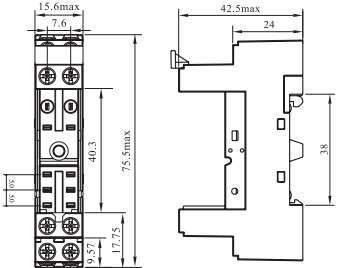
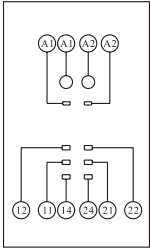


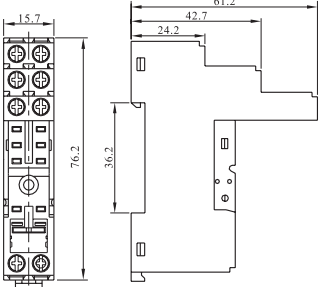
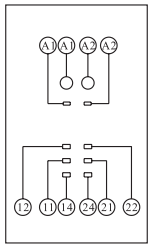
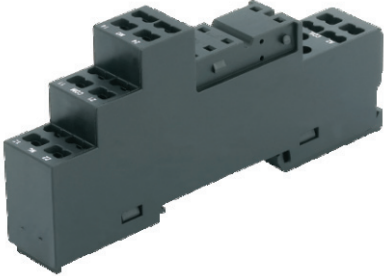



	parameters	outline drawing	wiring diagram
 <p>D14F-2Z-A2 </p>	<p>Rated voltage : 300VAC Rated current : 10A (2 x 5A) Insulation voltage : ≥ 3KV Socket material : PA66+GF (V1/V0) Contacts spring material : QSn6.5-0.1</p> <p>Hold down spring (on request) : Steel wire - various, see Page 25</p>		
 <p>D14F-2Z-C2 </p>	<p>Rated voltage : 300VAC Rated current : 10A (2 x 5A) Insulation voltage : ≥ 3KV Socket material : PA46-S250F6 (V1/V0) Contacts spring material : QSn6.5-0.1</p> <p>Hold down spring (on request) : Steel wire - various, see Page 25</p> <p>Ejector clip : various depending on relay type - see Page 25</p> <p>Module : see Pages 21-23</p>		
 <p>D14F-2Z-C4 </p>	<p>Rated voltage : 300VAC Rated current : 10A (2 x 5A) Insulation voltage : ≥ 3KV Socket material : PA66+GF (V1/V0) Contacts spring material : QSn6.5-0.1</p> <p>Hold down spring (on request) : Steel wire - various, see Page 25</p> <p>Ejector clip : various depending upon relay type - see Page 25</p> <p>Module : see Page 24</p>		
 <p>D14F-2Z-C5 </p>	<p>Rated voltage : 300VAC Rated current : 10A Insulation voltage : ≥ 3KV Socket material : PA66+GF (V1/V0) Contacts spring material : QSn6.5-0.1</p> <p>Hold down spring (on request) : Steel wire - various, see Page 25</p> <p>Ejector clip : various depending upon relay type - see Page 25</p> <p>Module : see Pages 21-23</p>	