

ARCA 604021W



Sample image

Order symbol : ARCA 604021W

Product nr : 8120132

UL Code : UL508A

Description : Cabinet, PC

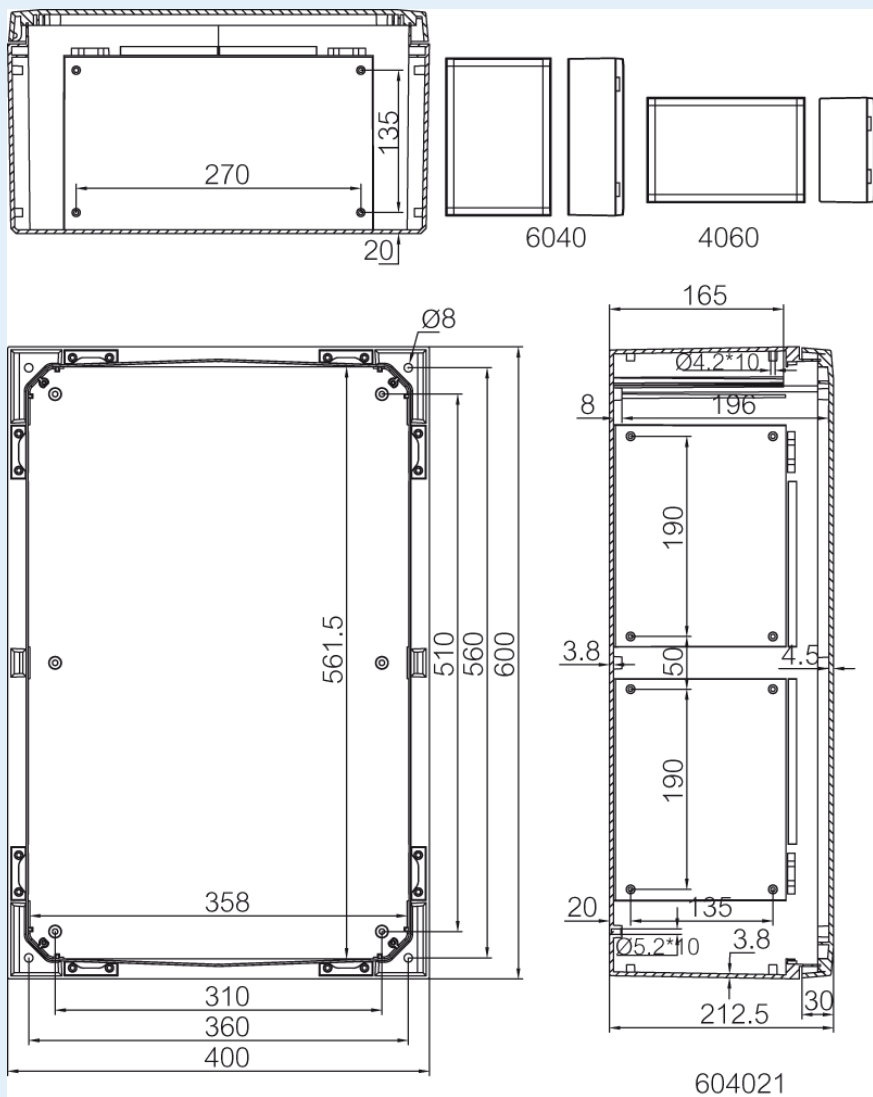
Remarks : Grey cover with window, 2-point locking, hinges on the long side

EAN : 6418074080035

El. number :

- Finland : 3423205
- Denmark : 8212091883
- Sweden : 2500152

Including : Cabinet base. door with PUR gasket. mounting plate. screws for mounting plate. 3mm double bit lock(s) with key. S versions with swinghandle 2-point locking system. Door guide included.



604021

Dimensions :

	Height	Width	Depth
mm :	600	400	210
inch :	15.75	23.62	8.58

Materials :

Material :	Polycarbonate
Base colour :	RAL_7035
Cover colour :	Clear transparent
Gasket material :	Polyurethane

Temperatures :

Temperature °C (short term) :	-40 ... 120
Temperature °C (continuous) :	-40 ... 80
Temperature °F (short term) :	-40 ... 250
Temperature °F (continuous) :	-40 ... 175

Accessories :

MPS ARCA 6040	Mounting plate (550x350x2 mm) (550 x 350 x 2)
RCS ARCA 6040	Rain canopy set for size 6040
SBK ARCA 40	Support bar kit (340 x 40 x 30)
DRS ARCA 604021	DIN rail frame set (585 x 385 x 35)
PMK ARCA 40	PoleMounting kit, for pole ø100-300mm (385 x 285 x 35)
MPMP ARCA 6040	Mounting plate multiperforated (550x350x2 mm - ø3.6 mm)
MPP ARCA 6040	Mounting plate perforated (550x350x2 mm - 26x11 mm)
IDS ARCA 6040	Inner door set (585 x 385 x 35)
MPX ARCA 6040	Mounting plate (550x350 mm)
DSP ARCA VLS	Door stopper ARCA, vertical, left, small
SBK ARCA 60	Support bar kit (535 x 40 x 30)
DSP ARCA VRS	Door stopper ARCA, vertical, right, small

Ratings :

Ingress protection (EN 60529):	IP65;
Impact Resistance (EN 62262):	IK08;
electrical_insulation :	Totally insulated
Halogen free (DIN/VDE 0472, Part 815) :	Yes
UV resistance :	UL 508
Flammability Rating :	UL 94 5VA
Glow Wire Test (IEC 695-2-1) °C :	960C

Certificates :

Certificate FI 40467