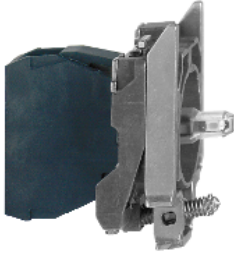


# Product datasheet

Specifications



## orange light block with body/fixing collar integral LED 24...120V

Local distributor code: 386215959 ZB4BVBG5

! Discontinued on: 31 January 2023

! End-of-service on: 13 January 2023

! Discontinued

**Important message :** All colored LED are replaced with a single Universal LED block for use with new illuminated heads (more information at [se.com/harmonyxb4](http://se.com/harmonyxb4) or [se.com/harmonyxb5](http://se.com/harmonyxb5))  
EAN Code : 3389110070330

### Main

Range of product	Harmony XB4
Product or component type	Complete body/light block assembly
Device short name	ZB4
Fixing collar material	Zamak
Sale per indivisible quantity	1
Connections - terminals	Screw clamp terminals, $\leq 2 \times 1.5 \text{ mm}^2$ with cable end Screw clamp terminals, $\geq 1 \times 0.22 \text{ mm}^2$ without cable end
Light source	Protected LED
Bulb base	Integral LED
Light source colour	Orange
[Us] rated supply voltage	24...120 V AC/DC at 50/60 Hz

### Complementary

CAD overall width	30 mm
CAD overall height	47 mm
CAD overall depth	37 mm
Terminals description ISO n°1	(X1-X2)PL
Product weight	0.054 kg
Tightening torque	0.8...1.2 N.m conforming to EN 60947-1
Shape of screw head	Cross compatible with Philips no 1 screwdriver Cross compatible with pozidriv No 1 screwdriver Slotted compatible with flat $\varnothing 4 \text{ mm}$ screwdriver Slotted compatible with flat $\varnothing 5.5 \text{ mm}$ screwdriver
[Ui] rated insulation voltage	600 V (pollution degree 3) conforming to EN 60947-1
[Uimp] rated impulse withstand voltage	6 kV conforming to EN 60947-1
Signalling type	Steady
Supply voltage limits	19.2...132 V DC 21.6...132 V AC
Service life	100000 h at rated voltage and 25 °C

<b>Surge withstand</b>	1 kV conforming to IEC 61000-4-5
------------------------	----------------------------------

<b>Device presentation</b>	Basic sub-assemblies
----------------------------	----------------------

## Environment

<b>Protective treatment</b>	TH
-----------------------------	----

<b>Ambient air temperature for storage</b>	-40...70 °C
--	-------------

<b>Ambient air temperature for operation</b>	-40...70 °C
--	-------------

<b>Electrical shock protection class</b>	Class I conforming to IEC 60536
--	---------------------------------

<b>Standards</b>	JIS C8201-5-1 EN/IEC 60947-1 EN/IEC 60947-5-4 CSA C22.2 No 14 EN/IEC 60947-5-1 UL 508 EN/IEC 60947-5-5 JIS C8201-1
------------------	---

<b>Product certifications</b>	CSA DNV LROS (Lloyds register of shipping) UL listed BV GL
-------------------------------	---

<b>Vibration resistance</b>	5 gn (f= 2...500 Hz) conforming to IEC 60068-2-6
-----------------------------	--

<b>Shock resistance</b>	30 gn (duration = 18 ms) for half sine wave acceleration conforming to IEC 60068-2-27 50 gn (duration = 11 ms) for half sine wave acceleration conforming to IEC 60068-2-27
-------------------------	--

<b>Resistance to fast transients</b>	2 kV conforming to IEC 61000-4-4
--------------------------------------	----------------------------------

<b>Resistance to electromagnetic fields</b>	10 V/m conforming to IEC 61000-4-3
---	------------------------------------

<b>Resistance to electrostatic discharge</b>	6 kV on contact (on metal parts) conforming to IEC 61000-2-6 8 kV in free air (in insulating parts) conforming to IEC 61000-2-6
--	--

<b>Electromagnetic emission</b>	Class B conforming to IEC 55011
---------------------------------	---------------------------------

## Packing Units

<b>Unit Type of Package 1</b>	PCE
-------------------------------	-----

<b>Number of Units in Package 1</b>	1
-------------------------------------	---

<b>Package 1 Height</b>	5.7 cm
-------------------------	--------

<b>Package 1 Width</b>	3.4 cm
------------------------	--------

<b>Package 1 Length</b>	5.3 cm
-------------------------	--------

<b>Package 1 Weight</b>	53 g
-------------------------	------

<b>Unit Type of Package 2</b>	BB1
-------------------------------	-----

<b>Number of Units in Package 2</b>	5
-------------------------------------	---

<b>Package 2 Height</b>	5.7 cm
-------------------------	--------

<b>Package 2 Width</b>	3.4 cm
------------------------	--------

<b>Package 2 Length</b>	26.5 cm
-------------------------	---------

<b>Package 2 Weight</b>	0.265 kg
-------------------------	----------

<b>Unit Type of Package 3</b>	S03
-------------------------------	-----

<b>Number of Units in Package 3</b>	200
-------------------------------------	-----

<b>Package 3 Height</b>	30 cm
-------------------------	-------

<b>Package 3 Width</b>	30 cm
------------------------	-------

<b>Package 3 Length</b>	40 cm
-------------------------	-------

---

Package 3 Weight	11.097 kg
------------------	-----------

## Offer Sustainability

---

Sustainable offer status	Green Premium product
--------------------------	-----------------------

---

REACH Regulation	<a href="#">REACH Declaration</a>
------------------	-----------------------------------

---

REACH free of SVHC	Yes
--------------------	-----

---

EU RoHS Directive	Pro-active compliance (Product out of EU RoHS legal scope) <a href="#">EU RoHS Declaration</a>
-------------------	---

---

Mercury free	Yes
--------------	-----

---

China RoHS Regulation	<a href="#">China RoHS declaration</a>
-----------------------	--

---

RoHS exemption information	Yes
----------------------------	-----

---

Environmental Disclosure	<a href="#">Product Environmental Profile</a>
--------------------------	---

---

Circularity Profile	<a href="#">End of Life Information</a>
---------------------	---

---

WEEE	The product must be disposed on European Union markets following specific waste collection and never end up in rubbish bins
------	---

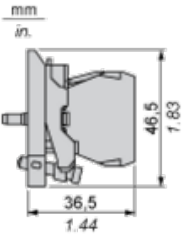
## Contractual warranty

---

Warranty	18 months
----------	-----------

**Dimensions**

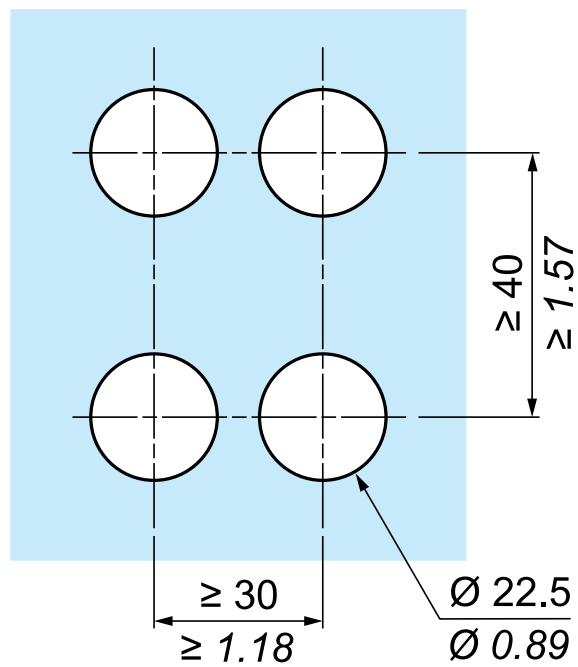
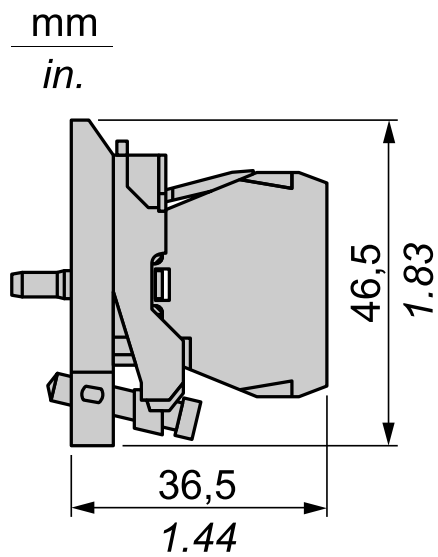
---



**Panel Cut-out for Pushbuttons, Switches and Pilot Lights (Finished Holes, Ready for Installation)**

Connection by Screw Clamp Terminals or Plug-in Connectors or on Printed Circuit Board	Connection by Faston Connectors
	
<p>(1) Diameter on finished panel or support                  (2) 40 mm min. / 1.57 in. min.                  (3) 30 mm min. / 1.18 in. min.                  (4) <math>\varnothing</math> 22.5 mm / 0.89 in. recommended (<math>\varnothing</math> 22.3 mm <math>_0^{+0.4}</math> / 0.88 in. <math>_0^{+0.016}</math>)                  (5) 45 mm min. / 1.78 in. min.                  (6) 32 mm min. / 1.26 in. min.</p>	

## Dimensions



## Recommended replacement(s)

ZB4BVBG5 is replaced by:

1x



Complete body/light block assembly, Harmony XB4, metal, universal LED, body/  
fixing collar, 24...120V AC DC

ZB4BVBG1