

# Product datasheet

Specifications



Light block, Harmony XB4, Harmony XB5, for head 22mm, universal LED, screw clamp terminals, 230...240V AC

Local distributor code: 237125541 ZBVM1

EAN Code : 3389110090031

## Main

|                               |  |
|-------------------------------|--|
| Range of product              | Harmony XB4<br>Harmony XB5   |
| Product or component type     | Light block  |
| Device short name             | ZBV  |
| Sale per indivisible quantity | 5  |
| Connections - terminals       | Screw clamp terminals, $\leq 2 \times 1.5 \text{ mm}^2$ with cable end conforming to EN 60947-1<br>Screw clamp terminals, $\geq 1 \times 0.22 \text{ mm}^2$ without cable end conforming to EN 60947-1 |
| Signalling type               | Steady   |
| Light source                  | Universal LED  |
| Bulb base                     | Integral LED   |
| Light block supply            | Direct   |
| Light source colour           | White  |
| [Us] rated supply voltage     | 230...240 V AC at 50/60 Hz   |

## Complementary

|                             |   |
|-----------------------------|---|
| Product weight              | 0.017 kg  |
| Tightening torque           | 0.8...1.2 N.m conforming to EN 60947-1  |
| Shape of screw head         | Cross compatible with Philips no 1 screwdriver<br>Cross compatible with pozidriv No 1 screwdriver<br>Slotted compatible with flat $\varnothing 4 \text{ mm}$ screwdriver<br>Slotted compatible with flat $\varnothing 5.5 \text{ mm}$ screwdriver |
| Supply voltage limits       | 195...264 V AC  |
| Current consumption         | 14 mA   |
| Service life                | 100000 h at rated voltage and 25 °C   |
| Surge withstand             | 1 kV conforming to IEC 61000-4-5  |
| Mounting of block           | Front mounting  |
| Electrical composition code | M1<br>M2<br>M3<br>M4<br>M5<br>M6<br>M10<br>MF1<br>P1<br>P2<br>PF1   |

|                     |               |
|---------------------|---------------|
| Device presentation | Basic element |
|---------------------|---------------|

## Environment

|                                       |   |
|---------------------------------------|---|
| Protective treatment                  | TH  |
| Ambient air temperature for storage   | -40...70 °C   |
| Ambient air temperature for operation | -40...70 °C   |
| IP degree of protection               | IP20 conforming to IEC 60529  |
| Standards                             | UL 508<br>EN/IEC 60947-1<br>EN/IEC 60947-5-4<br>JIS C8201-5-1<br>EN/IEC 60947-5-1<br>CSA C22.2 No 14<br>EN/IEC 60947-5-5<br>JIS C8201-1 |
| Product certifications                | CSA<br>UL listed  |
| Resistance to fast transients         | 2 kV conforming to IEC 61000-4-4  |
| Resistance to electromagnetic fields  | 10 V/m conforming to IEC 61000-4-3  |
| Resistance to electrostatic discharge | 6 kV on contact (on metal parts) conforming to IEC 61000-4-2<br>8 kV in free air (in insulating parts) conforming to IEC 61000-4-2      |
| Electromagnetic emission              | Class B conforming to IEC 55011<br><br>230...240 V  |

## Packing Units

|                              |           |
|------------------------------|-----------|
| Unit Type of Package 1       | PCE       |
| Number of Units in Package 1 | 1         |
| Package 1 Height             | 1.000 cm  |
| Package 1 Width              | 3.000 cm  |
| Package 1 Length             | 4.500 cm  |
| Package 1 Weight             | 9.000 g   |
| Unit Type of Package 2       | BB1       |
| Number of Units in Package 2 | 5         |
| Package 2 Height             | 4.500 cm  |
| Package 2 Width              | 5.500 cm  |
| Package 2 Length             | 5.500 cm  |
| Package 2 Weight             | 53.000 g  |
| Unit Type of Package 3       | S03       |
| Number of Units in Package 3 | 800       |
| Package 3 Height             | 30.000 cm |
| Package 3 Width              | 30.000 cm |
| Package 3 Length             | 40.000 cm |
| Package 3 Weight             | 8.806 kg  |

## Offer Sustainability

|                          |                                   |
|--------------------------|-----------------------------------|
| Sustainable offer status | Green Premium product             |
| REACH Regulation         | <a href="#">REACH Declaration</a> |

|                                   |   |
|-----------------------------------|---|
| <b>REACH free of SVHC</b>         | Yes   |
| <b>EU RoHS Directive</b>          | Pro-active compliance (Product out of EU RoHS legal scope)<br><a href="#">EU RoHS Declaration</a>                           |
| <b>Mercury free</b>               | Yes   |
| <b>China RoHS Regulation</b>      | <a href="#">China RoHS declaration</a>  |
| <b>RoHS exemption information</b> | Yes   |
| <b>Environmental Disclosure</b>   | <a href="#">Product Environmental Profile</a>   |
| <b>Circularity Profile</b>        | <a href="#">End of Life Information</a>   |
| <b>WEEE</b>                       | The product must be disposed on European Union markets following specific waste collection and never end up in rubbish bins |

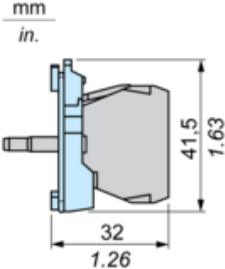
## Contractual warranty

|                 |           |
|-----------------|-----------|
| <b>Warranty</b> | 18 months |
|-----------------|-----------|

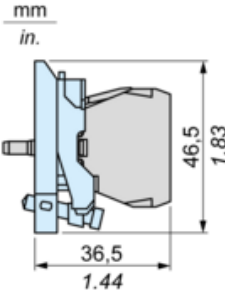
**Dimensions**

---

**with ZB5AZ009 Fixing Collar**



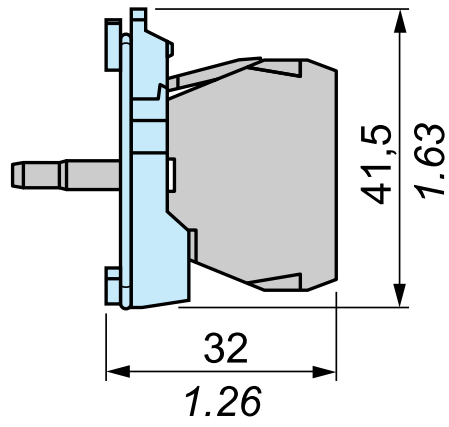
**with ZB4BZ009 Fixing Collar**



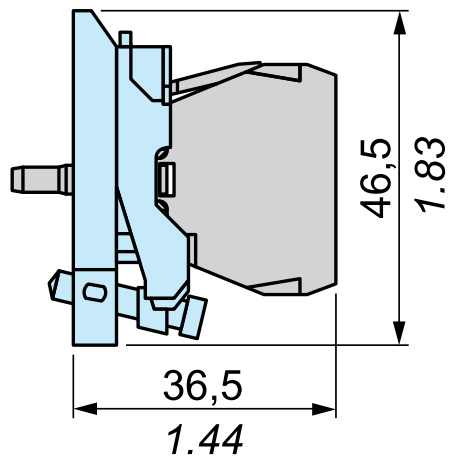
Dimensions

mm  
*in.*

+ ZB5AZ009



+ ZB4BZ009



Recommended replacement(s)