

Product datasheet

Specifications



blue light block for head Ø22 integral LED 12V screw clamp terminals

Local distributor code: 393612613 ZBVJ6

❗ Discontinued on: 15 June 2023

❗ Discontinued

Important message : All colored LED are replaced with a single Universal LED block for use with new illuminated heads (more information at se.com/harmonyxb4 or se.com/harmonyxb5)
EAN Code : 3389110070101

Main

Range of product	Harmony XB4 Harmony XB5
Product or component type	Light block
Device short name	ZBV
Sale per indivisible quantity	5
Connections - terminals	Screw clamp terminals, $\leq 2 \times 1.5 \text{ mm}^2$ with cable end conforming to EN 60947-1 Screw clamp terminals, $\geq 1 \times 0.22 \text{ mm}^2$ without cable end conforming to EN 60947-1
Signalling type	Steady
Light source	Protected LED
Bulb base	Integral LED
Light block supply	Direct
Light source colour	Blue
[Us] rated supply voltage	12 V AC/DC at 50/60 Hz

Complementary

Product weight	0.017 kg
Tightening torque	0.8...1.2 N.m conforming to EN 60947-1
Shape of screw head	Cross compatible with Philips no 1 screwdriver Cross compatible with pozidriv No 1 screwdriver Slotted compatible with flat Ø 4 mm screwdriver Slotted compatible with flat Ø 5.5 mm screwdriver
Supply voltage limits	10...15 V DC 10.2...13.8 V AC
Current consumption	18 mA
Service life	100000 h at rated voltage and 25 °C
Surge withstand	1 kV conforming to IEC 61000-4-5
Mounting of block	Front mounting
Electrical composition code	M1 M2 M3 M4 M5 M6 M10 MF1 P1

P2
PF1

Device presentation Basic element

Environment

Protective treatment TH

Ambient air temperature for storage -40...70 °C

Ambient air temperature for operation -40...70 °C

IP degree of protection IP20 conforming to IEC 60529

Standards EN/IEC 60947-1
CSA C22.2 No 14
EN/IEC 60947-5-1
EN/IEC 60947-5-4
EN/IEC 60947-5-5
UL 508
JIS C8201-5-1
JIS C8201-1

Product certifications UL listed
CSA

Resistance to fast transients 2 kV conforming to IEC 61000-4-4

Resistance to electromagnetic fields 10 V/m conforming to IEC 61000-4-3

Resistance to electrostatic discharge 6 kV on contact (on metal parts) conforming to IEC 61000-4-2
8 kV in free air (in insulating parts) conforming to IEC 61000-4-2

Electromagnetic emission Class B conforming to IEC 55011
12 V

Packing Units

Unit Type of Package 1 PCE

Number of Units in Package 1 1

Package 1 Height 0.1 cm

Package 1 Width 3.4 cm

Package 1 Length 4 cm

Package 1 Weight 9 g

Unit Type of Package 2 BB1

Number of Units in Package 2 5

Package 2 Height 4.6 cm

Package 2 Width 5.3 cm

Package 2 Length 5.6 cm

Package 2 Weight 51 g

Unit Type of Package 3 S02

Number of Units in Package 3 200

Package 3 Height 15 cm

Package 3 Width 30 cm

Package 3 Length 40 cm

Package 3 Weight 2.365 kg

Offer Sustainability

Sustainable offer status Green Premium product

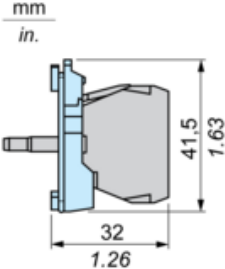
REACH Regulation	REACH Declaration
REACH free of SVHC	Yes
EU RoHS Directive	Pro-active compliance (Product out of EU RoHS legal scope) EU RoHS Declaration
Mercury free	Yes
China RoHS Regulation	China RoHS declaration
RoHS exemption information	Yes
Environmental Disclosure	Product Environmental Profile
Circularity Profile	End of Life Information
WEEE	The product must be disposed on European Union markets following specific waste collection and never end up in rubbish bins

Contractual warranty

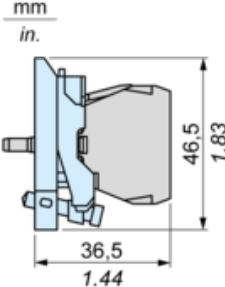
Warranty	18 months
-----------------	-----------

Dimensions

with ZB5AZ009 Fixing Collar



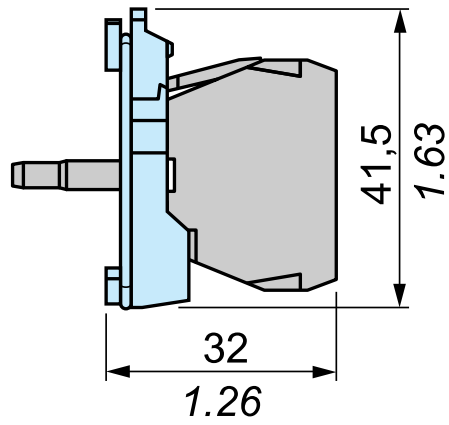
with ZB4BZ009 Fixing Collar



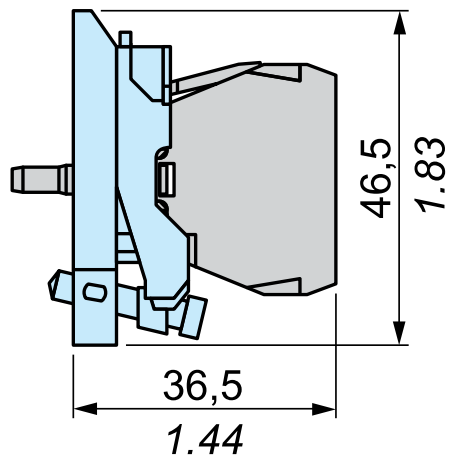
Dimensions

mm
in.

+ ZB5AZ009



+ ZB4BZ009



Recommended replacement(s)

ZBVJ6 is replaced by:

1x



Light block, Harmony XB4 XB5, white, for head 22mm, universal LED, screw clamp terminals, 12V AC DC
ZBVJ1