

Product datasheet

Specifications



red light block for head Ø22 integral LED 24V spring clamp terminals

Local distributor code: 398217534 ZBVB45

❗ Discontinued on: 15 June 2023

❗ Discontinued

Important message : All colored LED are replaced with a single Universal LED block for use with new illuminated heads (more information at se.com/harmonyxb4 or se.com/harmonyxb5)
EAN Code : 3389119037518

Main

Range of product	Harmony XB4 Harmony XB5
Product or component type	Light block
Device short name	ZBV
Sale per indivisible quantity	4
Connections - terminals	Spring clamp terminals
Signalling type	Steady
Light source	Protected LED
Bulb base	Integral LED
Light block supply	Direct
Light source colour	Red
[Us] rated supply voltage	24 V AC/DC at 50/60 Hz

Complementary

Product weight	0.016 kg
Supply voltage limits	19.2...30 V DC 21.6...26.4 V AC
Current consumption	18 mA
Service life	100000 h at rated voltage and 25 °C
Surge withstand	1 kV conforming to IEC 61000-4-5
Mounting of block	Front mounting
Electrical composition code	M1 M2 M3 M4 M5 M6 M10 MF1 P1 P2 PF1
Device presentation	Basic element

Environment

Protective treatment	TH
Ambient air temperature for storage	-40...70 °C
Ambient air temperature for operation	-40...70 °C
IP degree of protection	IP20 conforming to IEC 60529
Standards	JIS C8201-5-1 CSA C22.2 No 14 EN/IEC 60947-5-1 EN/IEC 60947-5-4 EN/IEC 60947-5-5 UL 508 EN/IEC 60947-1 JIS C8201-1
Resistance to fast transients	2 kV conforming to IEC 61000-4-4
Resistance to electromagnetic fields	10 V/m conforming to IEC 61000-4-3
Resistance to electrostatic discharge	6 kV on contact (on metal parts) conforming to IEC 61000-4-2 8 kV in free air (in insulating parts) conforming to IEC 61000-4-2
Electromagnetic emission	Class B conforming to IEC 55011 24 V

Packing Units

Unit Type of Package 1	PCE
Number of Units in Package 1	1
Package 1 Height	1.0 cm
Package 1 Width	4.0 cm
Package 1 Length	4.6 cm
Package 1 Weight	8.0 g
Unit Type of Package 2	BB1
Number of Units in Package 2	4
Package 2 Height	4.3 cm
Package 2 Width	5.3 cm
Package 2 Length	5.5 cm
Package 2 Weight	41.0 g
Unit Type of Package 3	S03
Number of Units in Package 3	640
Package 3 Height	30.0 cm
Package 3 Width	30.0 cm
Package 3 Length	40.0 cm
Package 3 Weight	7.225 kg

Offer Sustainability

Sustainable offer status	Green Premium product
REACH Regulation	REACH Declaration
REACH free of SVHC	Yes
EU RoHS Directive	Pro-active compliance (Product out of EU RoHS legal scope) EU RoHS Declaration

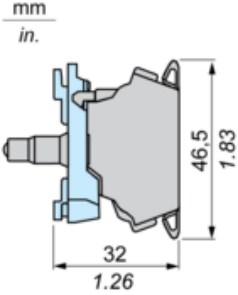
Mercury free	Yes
China RoHS Regulation	China RoHS declaration
RoHS exemption information	Yes
Environmental Disclosure	Product Environmental Profile
Circularity Profile	End of Life Information
WEEE	The product must be disposed on European Union markets following specific waste collection and never end up in rubbish bins

Contractual warranty

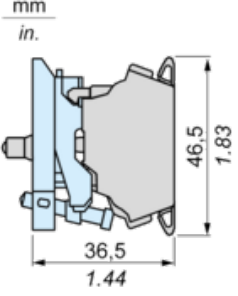
Warranty	18 months
-----------------	-----------

Dimensions

with ZB5AZ009 Fixing Collar



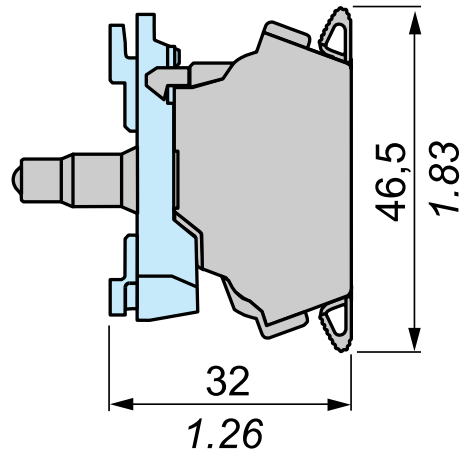
with ZB4BZ009 Fixing Collar



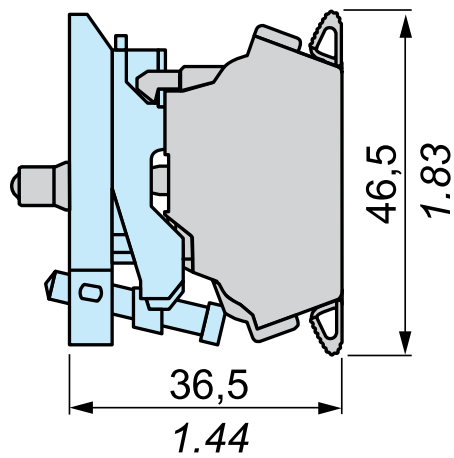
Dimensions

mm
in.

+ ZB5AZ009



+ ZB4BZ009



Recommended replacement(s)

ZBVB45 is replaced by:

1x



Light block, Harmony XB4, Harmony XB5, for head 22mm, universal LED, spring clamp terminals, 24V AC DC
ZBVB15