

# Product datasheet

Specifications



## red light block for head Ø22 integral LED 24...120V screw clamp terminals

Local distributor code: 386311345 ZBVBG4

❗ Discontinued on: 15 May 2023

❗ Discontinued

**Important message :** All colored LED are replaced with a single Universal LED block for use with new illuminated heads (more information at [se.com/harmonyxb4](http://se.com/harmonyxb4) or [se.com/harmonyxb5](http://se.com/harmonyxb5))  
EAN Code : 3389110071061

### Main

Range of product	Harmony XB5 Harmony XB4
Product or component type	Light block
Device short name	ZBV
Sale per indivisible quantity	5
Connections - terminals	Screw clamp terminals, $\leq 2 \times 1.5 \text{ mm}^2$ with cable end conforming to EN 60947-1 Screw clamp terminals, $\geq 1 \times 0.22 \text{ mm}^2$ without cable end conforming to EN 60947-1
Signalling type	Steady
Light source	Protected LED
Bulb base	Integral LED
Light block supply	Direct
Light source colour	Red
[Us] rated supply voltage	24...120 V AC/DC at 50/60 Hz

### Complementary

Product weight	0.017 kg
Tightening torque	0.8...1.2 N.m conforming to EN 60947-1
Shape of screw head	Cross compatible with Philips no 1 screwdriver Cross compatible with pozidriv No 1 screwdriver Slotted compatible with flat Ø 4 mm screwdriver Slotted compatible with flat Ø 5.5 mm screwdriver
Supply voltage limits	19.2...132 V DC 21.6...132 V AC
Service life	100000 h at rated voltage and 25 °C
Surge withstand	1 kV conforming to IEC 61000-4-5
Mounting of block	Front mounting
Electrical composition code	M1 M2 M3 M4 M5 M6 M10 MF1

P1  
P2  
PF1

Device presentation Basic element

## Environment

Protective treatment TH

Ambient air temperature for storage -40...70 °C

Ambient air temperature for operation -40...70 °C

IP degree of protection IP20 conforming to IEC 60529

Standards JIS C8201-5-1  
EN/IEC 60947-1  
EN/IEC 60947-5-4  
UL 508  
EN/IEC 60947-5-1  
CSA C22.2 No 14  
EN/IEC 60947-5-5  
JIS C8201-1

Product certifications UL listed  
CSA

Resistance to fast transients 2 kV conforming to IEC 61000-4-4

Resistance to electromagnetic fields 10 V/m conforming to IEC 61000-4-3

Resistance to electrostatic discharge 6 kV on contact (on metal parts) conforming to IEC 61000-4-2  
8 kV in free air (in insulating parts) conforming to IEC 61000-4-2

Electromagnetic emission Class B conforming to IEC 55011  
24...120 V

## Packing Units

Unit Type of Package 1 PCE

Number of Units in Package 1 1

Package 1 Height 5.4 cm

Package 1 Width 4.4 cm

Package 1 Length 5.6 cm

Package 1 Weight 9 g

Unit Type of Package 2 S02

Number of Units in Package 2 400

Package 2 Height 15 cm

Package 2 Width 30 cm

Package 2 Length 40 cm

Package 2 Weight 4.491 kg

## Offer Sustainability

Sustainable offer status Green Premium product

REACH Regulation [REACH Declaration](#)

REACH free of SVHC Yes

EU RoHS Directive Pro-active compliance (Product out of EU RoHS legal scope)  
[EU RoHS Declaration](#)

Mercury free Yes

China RoHS Regulation [China RoHS declaration](#)

---

<b>RoHS exemption information</b>	<a href="#">Yes</a>
<b>Environmental Disclosure</b>	<a href="#">Product Environmental Profile</a>
<b>Circularity Profile</b>	<a href="#">End of Life Information</a>
<b>WEEE</b>	The product must be disposed on European Union markets following specific waste collection and never end up in rubbish bins

---

## Contractual warranty

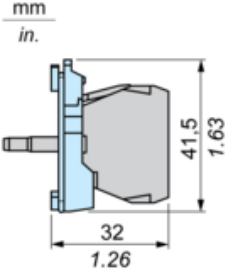
---

<b>Warranty</b>	18 months
-----------------	-----------

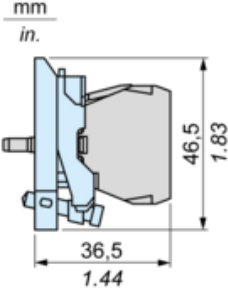
**Dimensions**

---

**with ZB5AZ009 Fixing Collar**



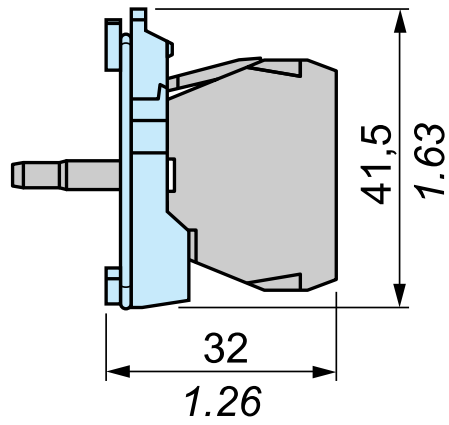
**with ZB4BZ009 Fixing Collar**



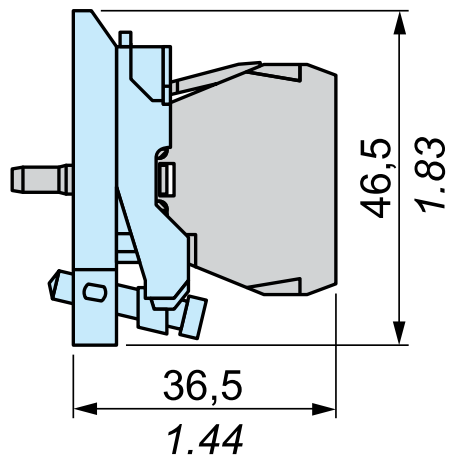
## Dimensions

mm  
in.

### + ZB5AZ009



### + ZB4BZ009



## Recommended replacement(s)

ZBVBG4 is replaced by:

1x



Light block, Harmony XB4, Harmony XB5, for head 22mm, universal LED, screw clamp terminals, 24...120V AC DC  
ZBVBG1