

# Product datasheet

Specifications



Light block, Harmony XB4 XB5, white, for head 22mm, universal LED, screw clamp terminals, 12V AC DC

Local distributor code: 409067398 ZBVJ1

EAN Code : 3389110069907

## Main

Range of product	Harmony XB5 Harmony XB4
Product or component type	Light block
Device short name	ZBV
Sale per indivisible quantity	5
Connections - terminals	Screw clamp terminals, $\leq 2 \times 1.5 \text{ mm}^2$ with cable end conforming to EN 60947-1 Screw clamp terminals, $\geq 1 \times 0.22 \text{ mm}^2$ without cable end conforming to EN 60947-1
Signalling type	Steady
Light source	Universal LED
Bulb base	Integral LED
Light block supply	Direct
Light source colour	White
[Us] rated supply voltage	12 V AC/DC at 50/60 Hz

## Complementary

Product weight	0.017 kg
Tightening torque	0.8...1.2 N.m conforming to EN 60947-1
Shape of screw head	Cross compatible with Philips no 1 screwdriver Cross compatible with pozidriv No 1 screwdriver Slotted compatible with flat $\varnothing 4 \text{ mm}$ screwdriver Slotted compatible with flat $\varnothing 5.5 \text{ mm}$ screwdriver
Supply voltage limits	10...15 V DC 10.2...13.8 V AC
Current consumption	18 mA
Service life	100000 h at rated voltage and 25 °C
Surge withstand	1 kV conforming to IEC 61000-4-5
Mounting of block	Front mounting
Electrical composition code	M1 M2 M3 M4 M5 M6 M10 MF1 P1 P2

<b>Device presentation</b>	Basic element
----------------------------	---------------

## Environment

<b>Protective treatment</b>	TH
-----------------------------	----

<b>Ambient air temperature for storage</b>	-40...70 °C
--	-------------

<b>Ambient air temperature for operation</b>	-40...70 °C
--	-------------

<b>IP degree of protection</b>	IP20 conforming to IEC 60529
--------------------------------	------------------------------

<b>Standards</b>	JIS C8201-5-1 EN/IEC 60947-1 EN/IEC 60947-5-5 UL 508 EN/IEC 60947-5-1 EN/IEC 60947-5-4 CSA C22.2 No 14 JIS C8201-1
------------------	---

<b>Product certifications</b>	UL listed CSA
-------------------------------	------------------

<b>Resistance to fast transients</b>	2 kV conforming to IEC 61000-4-4
--------------------------------------	----------------------------------

<b>Resistance to electromagnetic fields</b>	10 V/m conforming to IEC 61000-4-3
---	------------------------------------

<b>Resistance to electrostatic discharge</b>	6 kV on contact (on metal parts) conforming to IEC 61000-4-2 8 kV in free air (in insulating parts) conforming to IEC 61000-4-2
--	--

<b>Electromagnetic emission</b>	Class B conforming to IEC 55011  12 V
---------------------------------	---

## Packing Units

<b>Unit Type of Package 1</b>	PCE
-------------------------------	-----

<b>Number of Units in Package 1</b>	1
-------------------------------------	---

<b>Package 1 Height</b>	5.6 cm
-------------------------	--------

<b>Package 1 Width</b>	4.4 cm
------------------------	--------

<b>Package 1 Length</b>	5.4 cm
-------------------------	--------

<b>Package 1 Weight</b>	9 g
-------------------------	-----

<b>Unit Type of Package 2</b>	BB1
-------------------------------	-----

<b>Number of Units in Package 2</b>	5
-------------------------------------	---

<b>Package 2 Height</b>	5.6 cm
-------------------------	--------

<b>Package 2 Width</b>	4.4 cm
------------------------	--------

<b>Package 2 Length</b>	5.4 cm
-------------------------	--------

<b>Package 2 Weight</b>	51 g
-------------------------	------

<b>Unit Type of Package 3</b>	S02
-------------------------------	-----

<b>Number of Units in Package 3</b>	400
-------------------------------------	-----

<b>Package 3 Height</b>	15 cm
-------------------------	-------

<b>Package 3 Width</b>	30 cm
------------------------	-------

<b>Package 3 Length</b>	40 cm
-------------------------	-------

<b>Package 3 Weight</b>	4.37 kg
-------------------------	---------

## Offer Sustainability

<b>Sustainable offer status</b>	Green Premium product
---------------------------------	-----------------------

<b>REACH Regulation</b>	<a href="#">REACH Declaration</a>
<b>REACH free of SVHC</b>	Yes
<b>EU RoHS Directive</b>	Pro-active compliance (Product out of EU RoHS legal scope) <a href="#">EU RoHS Declaration</a>
<b>Mercury free</b>	Yes
<b>China RoHS Regulation</b>	<a href="#">China RoHS declaration</a>
<b>RoHS exemption information</b>	Yes
<b>Environmental Disclosure</b>	<a href="#">Product Environmental Profile</a>
<b>Circularity Profile</b>	<a href="#">End of Life Information</a>
<b>WEEE</b>	The product must be disposed on European Union markets following specific waste collection and never end up in rubbish bins

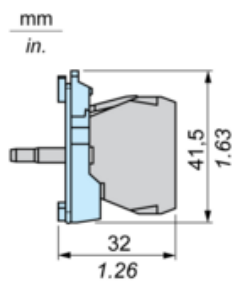
## Contractual warranty

<b>Warranty</b>	18 months
-----------------	-----------

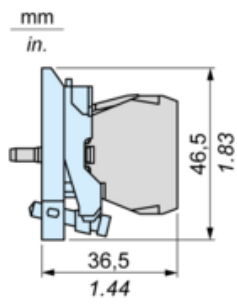
## Dimensions

---

### with ZB5AZ009 Fixing Collar



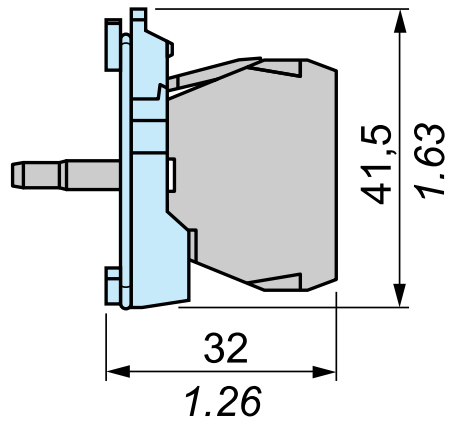
### with ZB4BZ009 Fixing Collar



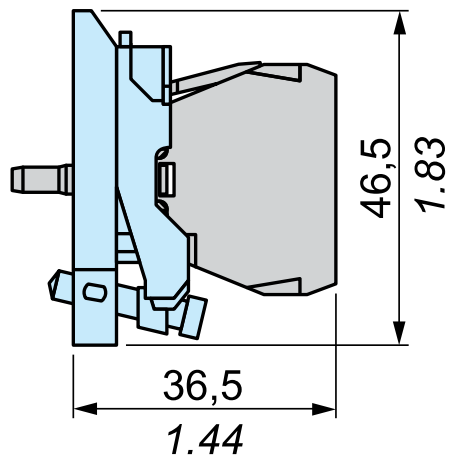
Dimensions

mm  
in.

+ ZB5AZ009



+ ZB4BZ009



Recommended replacement(s)