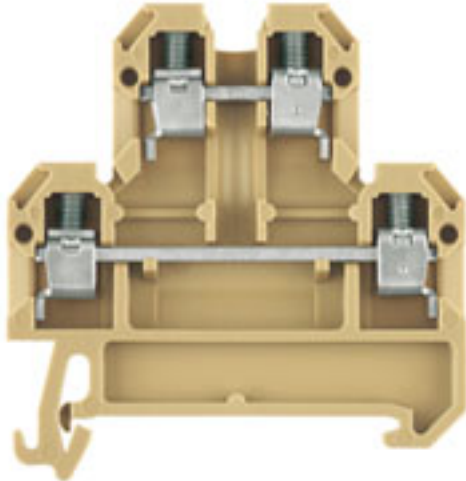


SAK Series
DK 4/35

Weidmüller Interface GmbH & Co. KG
 Klingenbergstraße 16
 D-32758 Detmold
 Germany
 Fon: +49 5231 1429-0
 Fax: +49 5231 14292083
 www.weidmueller.com


Klippon® Connect with clamping yoke Technology

The high reliability and variety of designs of the terminal blocks with clamping yoke connections make planning easier and optimises operational safety. Klippon® Connect provides a proven response to a range of different requirements.

General ordering data

| | |
|------------|--|
| Type | DK 4/35 |
| Order No. | 0527660000 |
| Version | SAK Series, Feed-through terminal, Double-tier terminal, Rated cross-section: 4 mm ² , Screw connection |
| GTIN (EAN) | 4008190082130 |
| Qty. | 100 pc(s). |

**SAK Series
DK 4/35**

Weidmüller Interface GmbH & Co. KG
 Klingenbergstraße 16
 D-32758 Detmold
 Germany
 Fon: +49 5231 1429-0
 Fax: +49 5231 14292083
 www.weidmueller.com

Technical data**Dimensions and weights**

| | | | |
|------------|---------|-----------------|------------|
| Width | 6 mm | Width (inches) | 0.236 inch |
| Height | 50 mm | Height (inches) | 1.969 inch |
| Depth | 60.5 mm | Depth (inches) | 2.382 inch |
| Net weight | 11.77 g | | |

Temperatures

| | | | |
|----------------------------------|--------|----------------------------------|--------|
| Continuous operating temp., min. | -50 °C | Continuous operating temp., max. | 100 °C |
|----------------------------------|--------|----------------------------------|--------|

Material data

| | | | |
|---------------------------|-------|--------|----------------|
| Material | PA 66 | Colour | beige / yellow |
| UL 94 flammability rating | V-2 | | |

System specifications

| | | | |
|-----------------------------------|---|-------------------------------|-----|
| Version | Screw connection, for screwable cross- connection, One end without connector | End cover plate required | Yes |
| Number of potentials | 2 | Number of levels | 2 |
| No. of clamping points per level | 2 | Number of potentials per tier | 1 |
| Levels cross-connected internally | No | PE connection | No |
| Mounting rail | TS 35 | N-function | No |
| PE function | No | PEN function | No |

Additional technical data

| | | | |
|--------------------------|-------|-----------------------------|---------|
| Explosion-tested version | No | Number of similar terminals | 1 |
| Open sides | right | Type of mounting | Snap-on |

CSA rating data

| | | | |
|-------------------------------|-----------|-------------------------------|--------|
| Certificate No. (CSA) | 12400-130 | Current size C (CSA) | 25 A |
| Voltage size C (CSA) | 300 V | Wire cross section max. (CSA) | 12 AWG |
| Wire cross section min. (CSA) | 26 AWG | | |

Conductors for clamping (additional connection)

| | |
|---|---------------------|
| Conductor cross-section, flexible plus plastic collar DIN 46228/1, further connection, max. | 2.5 mm ² |
|---|---------------------|

SAK Series
DK 4/35

Weidmüller Interface GmbH & Co. KG
 Klingenbergstraße 16
 D-32758 Detmold
 Germany
 Fon: +49 5231 1429-0
 Fax: +49 5231 14292083
 www.weidmueller.com

Technical data
Conductors for clamping (rated connection)

| | | | |
|---|----------------------|---|---------------------|
| Blade size | 0.6 x 3.5 mm | Clamping range, rated connection, max. | 6 mm ² |
| Clamping range, rated connection, min. | 0.13 mm ² | Clamping screw | M 3 |
| Connection direction | on side | Cross-section for connected conductor, finely stranded with wire-end ferrules and plastic collars DIN 46228/4, rated connection, min. | 0.5 mm ² |
| Gauge to IEC 60947-1 | A3 | Number of connections | 4 |
| Stripping length | 8 mm | Tightening torque, max. | 0.8 Nm |
| Tightening torque, min. | 0.5 Nm | Torque level with DMS electric screwdriver | 2 |
| Twin wire-end ferrules, max. | 1.5 mm ² | Twin wire-end ferrules, min. | 0.5 mm ² |
| Type of connection | Screw connection | Wire connection cross section AWG, max. | AWG 12 |
| Wire connection cross section AWG, min. | AWG 26 | Wire connection cross section, finely stranded with wire-end ferrules DIN 46228/1, rated connection, max. | 2.5 mm ² |
| Wire connection cross section, finely stranded with wire-end ferrules DIN 46228/1, rated connection, min. | 0.5 mm ² | Wire connection cross section, finely stranded, max. | 4 mm ² |
| Wire connection cross section, solid core max. rated connection | 6 mm ² | Wire connection cross section, solid core, min. rated connection | 0.5 mm ² |
| Wire connection cross section, stranded, rated connection, max. | 4 mm ² | Wire connection cross section, stranded, rated connection, min. | 0.5 mm ² |
| Wire connection cross-section, finely stranded with wire-end ferrules and plastic collars DIN 46228/4, rated connection, max. | 2.5 mm ² | Wire connection cross-section, finely stranded, min. | 0.5 mm ² |

Rating data

| | | | |
|---------------------------------|-------------------|--|-------|
| Rated cross-section | 4 mm ² | Rated voltage | 500 V |
| Rated current | 32 A | Current at maximum wires | 41 A |
| Standards | IEC 60947-7-1 | Volume resistance according to IEC 60947-7-x | 1 mΩ |
| Rated impulse withstand voltage | 6 kV | Pollution severity | 3 |

UL rating data

| | | | |
|---|--------|---|--------|
| Certificate No. (UR) | E60693 | Conductor size Factory wiring max. (UR) | 12 AWG |
| Conductor size Factory wiring min. (UR) | 26 AWG | Conductor size Field wiring max. (UR) | 12 AWG |
| Conductor size Field wiring min. (UR) | 22 AWG | Current size C (UR) | 27 A |
| Voltage size C (UR) | 300 V | | |

Classifications

| | | | |
|------------|-------------|------------|-------------|
| ETIM 3.0 | EC000897 | ETIM 4.0 | EC000897 |
| ETIM 5.0 | EC000897 | ETIM 6.0 | EC000897 |
| UNSPSC | 30-21-18-11 | eClass 5.1 | 27-14-11-20 |
| eClass 6.2 | 27-14-11-20 | eClass 7.1 | 27-14-11-27 |
| eClass 8.1 | 27-14-11-20 | eClass 9.0 | 27-14-11-20 |
| eClass 9.1 | 27-14-11-20 | | |

Product information

Descriptive text technical data With twin wire-end ferrules ZH 0.5 to ZH 2.5, the rated voltage is 690 V.

Data sheet**SAK Series
DK 4/35**

Weidmüller Interface GmbH & Co. KG
Klingenbergstraße 16
D-32758 Detmold
Germany
Fon: +49 5231 1429-0
Fax: +49 5231 14292083
www.weidmueller.com

Technical data**Approvals**

Approvals



ROHS

Conform

DownloadsApproval/Certificate/Document of
Conformity[DE_PT1301_20160418_088_ISSUE01.pdf](#)

Engineering Data

[EPLAN.WSCAD](#)**Safety note**

Safety notice

[Safety Information](#)