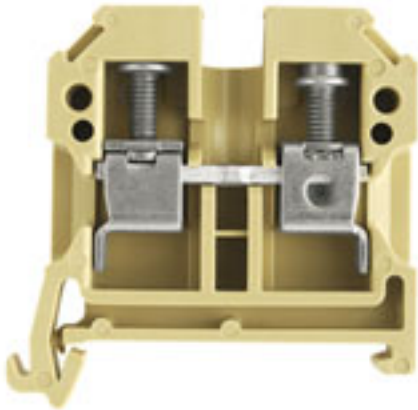


SAK Series
SAK 6/35 PA

Weidmüller Interface GmbH & Co. KG
Klingenbergstraße 16
D-32758 Detmold
Germany
Fon: +49 5231 1429-0
Fax: +49 5231 14292083
www.weidmueller.com

**Klippon® Connect with clamping yoke Technology**

The high reliability and variety of designs of the terminal blocks with clamping yoke connections make planning easier and optimises operational safety. Klippon® Connect provides a proven response to a range of different requirements.

General ordering data

Type	SAK 6/35 PA
Order No.	0380560000
Version	SAK Series, Feed-through terminal, Rated cross-section: 6 mm ² , Screw connection, Beige
GTIN (EAN)	4008190134648
Qty.	100 pc(s).

SAK Series
SAK 6/35 PA

Weidmüller Interface GmbH & Co. KG
 Klingenbergstraße 16
 D-32758 Detmold
 Germany
 Fon: +49 5231 1429-0
 Fax: +49 5231 14292083
 www.weidmueller.com

Technical data**Dimensions and weights**

Width	8 mm	Width (inches)	0.315 inch
Height	45 mm	Height (inches)	1.772 inch
Depth	44 mm	Depth (inches)	1.732 inch
Net weight	12.98 g		

Temperatures

Continuous operating temp., min.	-50 °C	Continuous operating temp., max.	100 °C
----------------------------------	--------	----------------------------------	--------

Material data

Material	PA 66	Colour	beige / yellow
UL 94 flammability rating	V-2		

Rating data IECEx/ATEX

Certificate No. (ATEX)	KEMA97ATEX1798U	ATEX certificate	KEMA97ATEX1798U_d.pdf
ATEX certificate	KEMA97ATEX1798U_e.pdf	Certificate No. (IECEX)	IECEXKEM06.0014U
Max. voltage (ATEX)	550 V	Current (ATEX)	36 A
Wire cross section max. (ATEX)	6 mm ²	Max. voltage (IECEX)	690 V
Current (IECEX)	36 A	Wire cross section max. (IECEX)	6 mm ²
Voltage, cross-connection		Operating temperature range	For operating temperature range see EC Design Test Certificate / IEC Ex-Certificate of Conformity
	CrossConnectionGuide.pdf		
Marking EN 60079-7	Ex e II	Ex 2014/34/EU label	II 2 G D

System specifications

Version	Screw connection, for screwable cross-connection, One end without connector	End cover plate required	Yes
Number of potentials	1	Number of levels	1
No. of clamping points per level	2	Number of potentials per tier	1
Levels cross-connected internally	No	PE connection	No
Mounting rail	TS 35	N-function	No
PE function	No	PEN function	No

Additional technical data

Explosion-tested version	Yes	Number of similar terminals	1
Open sides	right	Type of mounting	Snap-on

CSA rating data

Certificate No. (CSA)	154685-1501714	Current size C (CSA)	47 A
Voltage size C (CSA)	600 V	Wire cross section max. (CSA)	8 AWG
Wire cross section min. (CSA)	20 AWG		

Conductors for clamping (additional connection)

Conductor cross-section, flexible plus plastic collar DIN 46228/1, further connection, max. 6 mm²

SAK Series SAK 6/35 PA

Weidmüller Interface GmbH & Co. KG
 Klingenbergstraße 16
 D-32758 Detmold
 Germany
 Fon: +49 5231 1429-0
 Fax: +49 5231 14292083
 www.weidmueller.com

Technical data

Conductors for clamping (rated connection)

Blade size	4.0 x 0.8 mm	Clamping range, rated connection, max.	10 mm ²
Clamping range, rated connection, min.	0.33 mm ²	Clamping screw	M 3.5
Connection direction		Cross-section for connected conductor, finely stranded with wire-end ferrules and plastic collars DIN 46228/4, rated connection, min.	0.5 mm ²
	on side	Number of connections	2
Gauge to IEC 60947-1	A5	Tightening torque, max.	1.6 Nm
Stripping length	12 mm	Torque level with DMS electric screwdriver	3
Tightening torque, min.	0.8 Nm	Twin wire-end ferrules, min.	0.5 mm ²
Twin wire-end ferrules, max.	4 mm ²	Type of connection	Screw connection
Wire connection cross section AWG, min.	AWG 22	Wire connection cross section AWG, max.	AWG 8
Wire connection cross section, finely stranded with wire-end ferrules DIN 46228/1, rated connection, min.	0.5 mm ²	Wire connection cross section, finely stranded with wire-end ferrules DIN 46228/1, rated connection, max.	6 mm ²
Wire connection cross section, solid core max. rated connection	10 mm ²	Wire connection cross section, finely stranded, max.	10 mm ²
Wire connection cross section, stranded, rated connection, max.	6 mm ²	Wire connection cross section, solid core, min. rated connection	0.5 mm ²
Wire connection cross-section, finely stranded with wire-end ferrules and plastic collars DIN 46228/4, rated connection, max.	6 mm ²	Wire connection cross section, stranded, rated connection, min.	0.5 mm ²
		Wire connection cross-section, finely stranded, min.	0.5 mm ²

Dimensions

TS 35 offset	20 mm
--------------	-------

Rating data

Rated cross-section	6 mm ²	Rated voltage	800 V
Rated current	41 A	Current at maximum wires	57 A
Standards	IEC 60947-7-1	Volume resistance according to IEC 60947-7-x	0.78 mΩ
Rated impulse withstand voltage	8 kV	Pollution severity	3

UL rating data

Certificate No. (UR)	E60693	Conductor size Factory wiring max. (UR)	8 AWG
Conductor size Factory wiring min. (UR)	22 AWG	Conductor size Field wiring max. (UR)	8 AWG
Conductor size Field wiring min. (UR)	22 AWG	Current size C (UR)	40 A
Voltage size C (UR)	600 V		

Classifications

ETIM 3.0	EC000897	ETIM 4.0	EC000897
ETIM 5.0	EC000897	ETIM 6.0	EC000897
UNSPSC	30-21-18-11	eClass 5.1	27-14-11-20
eClass 6.2	27-14-11-20	eClass 7.1	27-14-11-20
eClass 8.1	27-14-11-20	eClass 9.0	27-14-11-20
eClass 9.1	27-14-11-20		

Data sheet

**SAK Series
SAK 6/35 PA**

Weidmüller Interface GmbH & Co. KG
 Klingenbergstraße 16
 D-32758 Detmold
 Germany
 Fon: +49 5231 1429-0
 Fax: +49 5231 14292083
 www.weidmueller.com

Technical data

Product information

Descriptive text ordering data	With AWG 6 and H07V-R10 conductors, an increased MD torque of 1.4 to 1.6 Nm must be applied.
Descriptive text technical data	Tightening torque for AWG 8-7 and AWG 8-19 is 1.2 - 1.4 Nm
Descriptive text accessories	When used with twin wire-end ferrules ZH 0.5 - ZH 4, the rated voltage is 690 V.

Approvals

Approvals



ROHS	Conform
------	---------

Downloads

Approval/Certificate/Document of Conformity	CFAT_SAK_6N.pdf DE_PT1301_20160414_035_ISSUE01.pdf
Engineering Data	EPLAN_WSCAD
Engineering Data	0380560000_04800_SAK_6-35_STP.stp

Safety note

Safety notice	Safety Information
---------------	------------------------------------